



(12) **United States Design Patent**
Berroa García

(10) **Patent No.:** **US D885,895 S**
(45) **Date of Patent:** **** Jun. 2, 2020**

- (54) **CAP FOR A BOTTLE**
- (71) Applicant: **BETAPACK, S.A.U.**, Irún (ES)
- (72) Inventor: **Francisco Javier Berroa García**, Irún (ES)
- (73) Assignee: **BETAPACK, S.A.U.**, Irún (ES)
- (**) Term: **15 Years**
- (21) Appl. No.: **29/673,327**
- (22) Filed: **Dec. 13, 2018**

43/02; B65D 85/36; B65D 81/18; B65D 81/38; A45D 2040/0043; A45D 2040/0062; A45D 40/04; A45D 34/04; A45D 33/04
See application file for complete search history.

(56)

References Cited

U.S. PATENT DOCUMENTS

D263,799 S *	4/1982	Nilsson	D9/438
D313,754 S *	1/1991	Pomroy	D9/435
D426,772 S *	6/2000	Kahl	D9/449
D537,342 S *	2/2007	Smith	D9/435
D538,162 S *	3/2007	Smith	D9/435

(Continued)

(30) **Foreign Application Priority Data**

Jun. 19, 2018 (EM) 005316734-0001

(51) **LOC (12) Cl.** **09-07**

(52) **U.S. Cl.**
USPC **D9/449**

(58) **Field of Classification Search**

USPC D3/10, 13, 17; D6/672, 677; D7/300, D7/317, 321, 387, 388.391, 392, 396.1, D7/396.6, 397, 398, 401.1, 403, 509, 538, D7/610, 619.1, 629, 672, 677, 601, 602, D7/624.1, 705, 708; D9/434, 435, 436, D9/438, 439, 440, 441, 442, 446, 447, D9/449, 451, 452, 453, 454, 455, 550, D9/560, 566, 516, 544, 573, 614, 618, D9/623, 686, 705, 708, 715-720, 730, D9/750, 751; D20/21, 31, 41, 42; D21/3, 621; D23/206, 259, 260; D24/121, 127, 199, 224; D28/4, 5, 73, D28/76, 91.1

CPC B65D 83/06; B65D 2501/00; B65D 2501/0009; B65D 1/00; B65D 1/02; B65D 1/0223; B65D 23/00; B65D 50/041; B65D 53/02; B65D 41/34; B65D 21/0223; B65D 47/265; B65D 2525/283; B65D 2251/0087; B65D 2251/0018; B65D 2251/0028; B65D 2251/009; B65D 43/0225; B65D 25/28; B65D 51/18; B65D 2203/00; B65D 83/0038; B65D

OTHER PUBLICATIONS

Betapack OLEO 26-21 MM: Site Visited [Jan. 4, 2020]. Available from Internet URL: <https://www.betapack.com/en/site/caps/34/oleo-26-21-mm>.*

Primary Examiner — Catherine S Posthauer

(74) *Attorney, Agent, or Firm* — Westman, Champlin & Koehler, P.A.

(57)

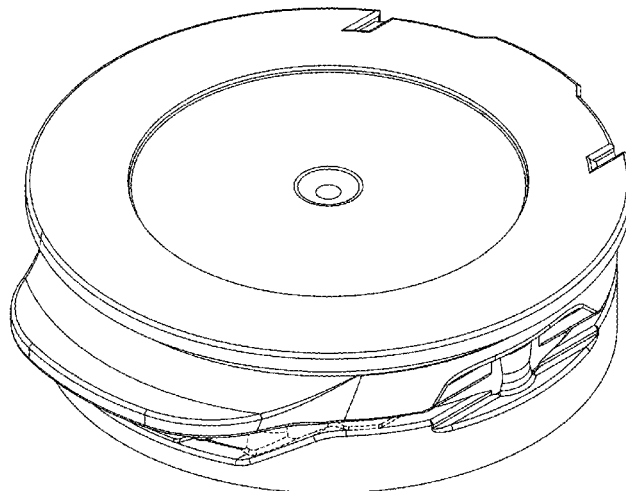
CLAIM

The ornamental design for a cap for a bottle, as shown and described.

DESCRIPTION

FIG. 1 is a top perspective view of a cap for a bottle, showing my new design;
 FIG. 2 is a left side elevation view thereof;
 FIG. 3 is a top view thereof;
 FIG. 4 is a front elevation view thereof;
 FIG. 5 is a right side elevation view thereof;
 FIG. 6 is a bottom view thereof; and,
 FIG. 7 is a rear elevation view thereof.
 The broken lines are shown for the purpose of illustrating parts of the article that form no part of the claim.

1 Claim, 4 Drawing Sheets



(56)

References Cited

U.S. PATENT DOCUMENTS

D547,184	S	*	7/2007	Kim	D9/447
D554,993	S	*	11/2007	Kerman	D9/438
D584,613	S	*	1/2009	Yan	D9/438
D607,726	S	*	1/2010	Wisniewski	D9/449
D608,199	S	*	1/2010	Gross	D9/449
D624,414	S	*	9/2010	Benoit-Gonin	D9/449
D626,412	S	*	11/2010	Lohrman	D9/438
D627,641	S	*	11/2010	Mazurkiewicz	D9/449
D666,494	S	*	9/2012	Stull	D9/447
D673,044	S	*	12/2012	Wisniewski	D9/443
D704,057	S	*	5/2014	Bar-Tal	D9/449
D783,402	S	*	4/2017	Martini	D9/434
D784,808	S	*	4/2017	Berroa Garcia	D9/434
D785,402	S	*	5/2017	Shirley	D7/392.1
D806,465	S	*	1/2018	Boroski	D7/391
9,884,706	B1	*	2/2018	Skillin	B65D 47/0838
D835,939	S	*	12/2018	Yee	D7/392.1
D846,343	S	*	4/2019	Samartgis	D7/392
D850,259	S	*	6/2019	Wiggins	D9/449
D853,843	S	*	7/2019	Michailides	D9/449
D857,502	S	*	8/2019	Fracasso	D9/449
D859,153	S	*	9/2019	Ramsuer	D9/449
10,414,557	B2	*	9/2019	Skillin	B65D 41/34
D863,962	S	*	10/2019	Bakic	D9/449
D864,719	S	*	10/2019	Berroa Garcia	D9/449
D867,058	S	*	11/2019	Spivey	D7/392.1
D867,133	S	*	11/2019	Johnson	D9/446
D867,137	S	*	11/2019	Johnson	D9/449
D869,273	S	*	12/2019	Kim	D9/449
2006/0191933	A1	*	8/2006	Hicks	B65D 47/0804 220/254.3
2015/0048124	A1	*	2/2015	Wisniewski	B65D 47/0809 222/478
2019/0233184	A1	*	8/2019	Arminak	B65D 50/041

* cited by examiner

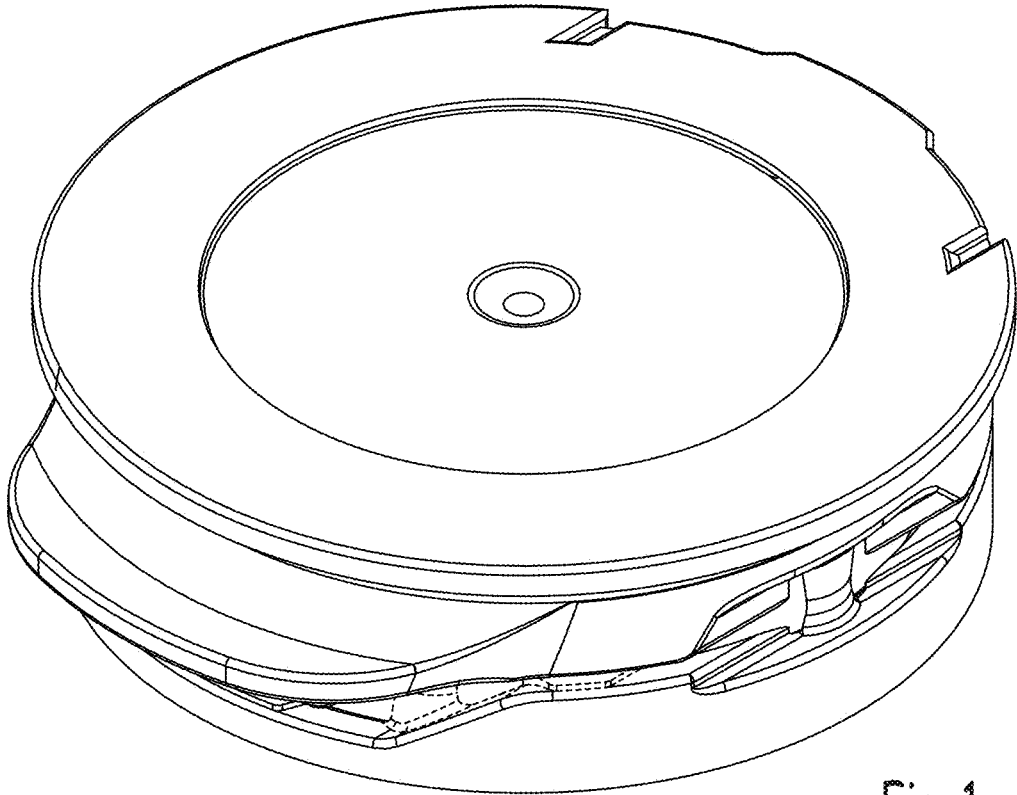


Fig. 1

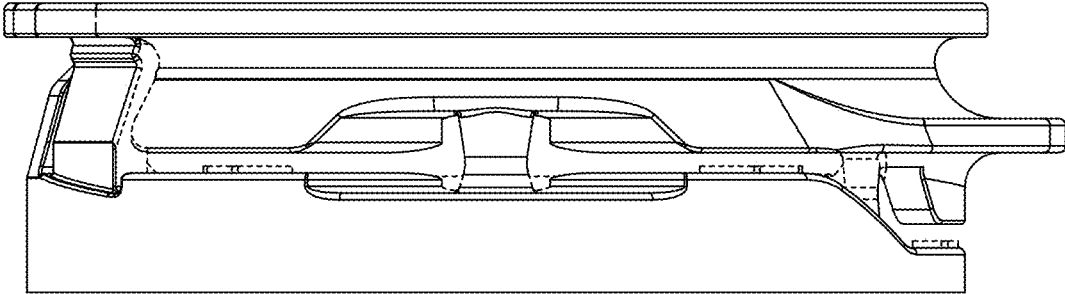


Fig. 2

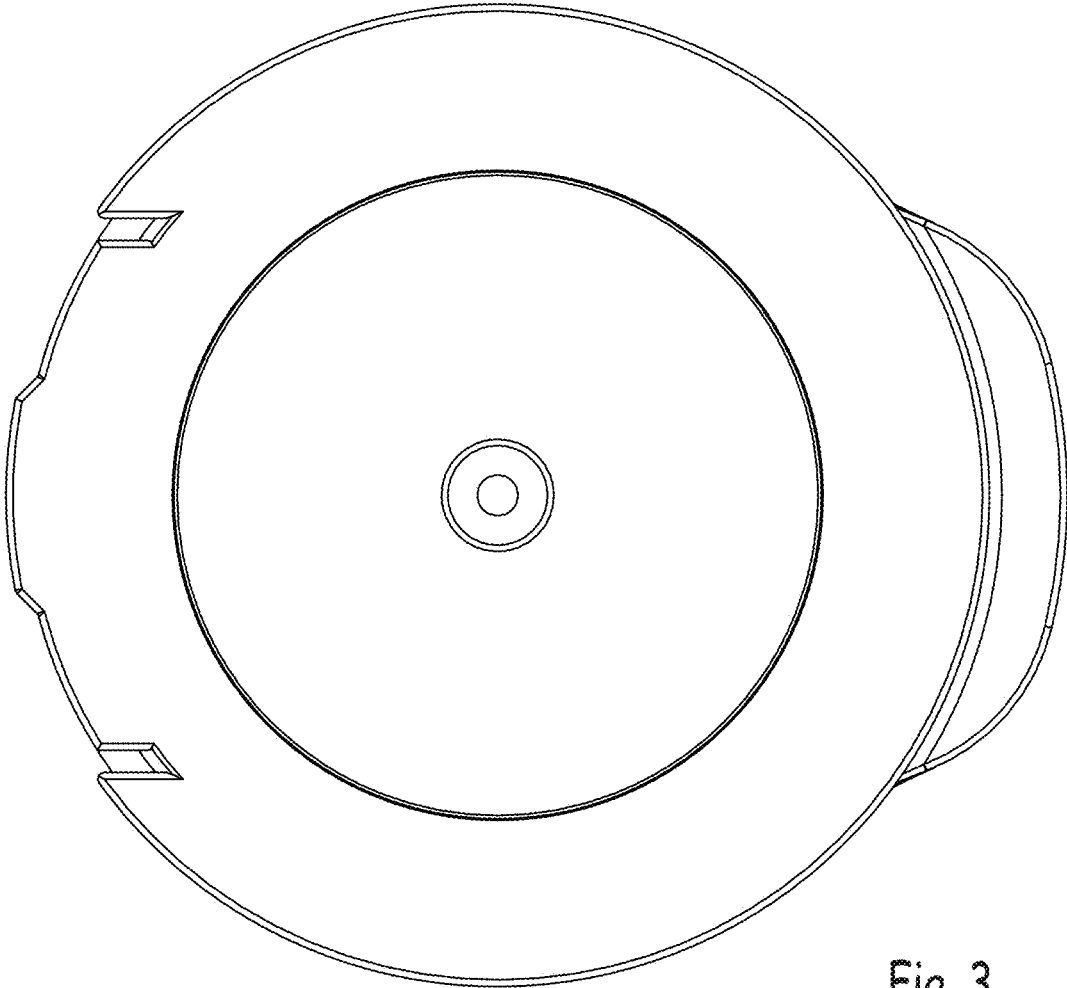


Fig. 3

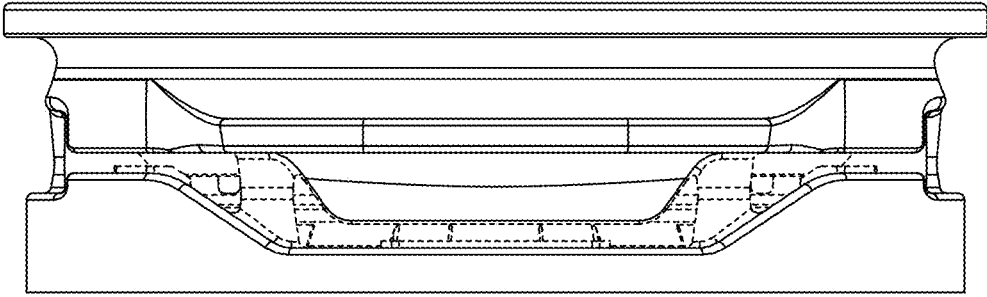


Fig. 4

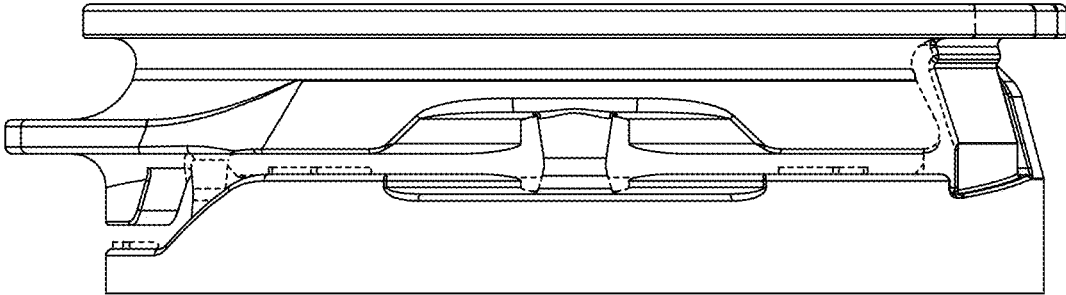


Fig. 5

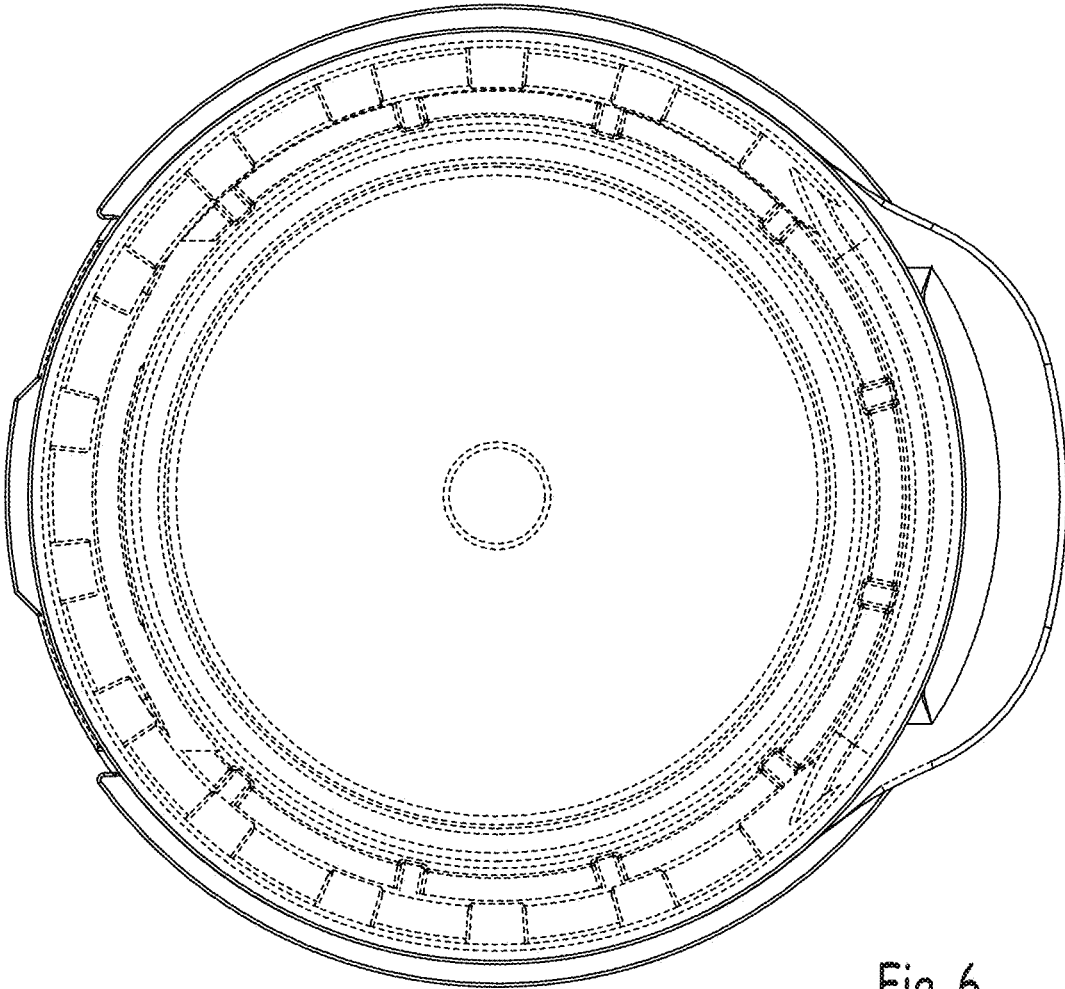


Fig. 6

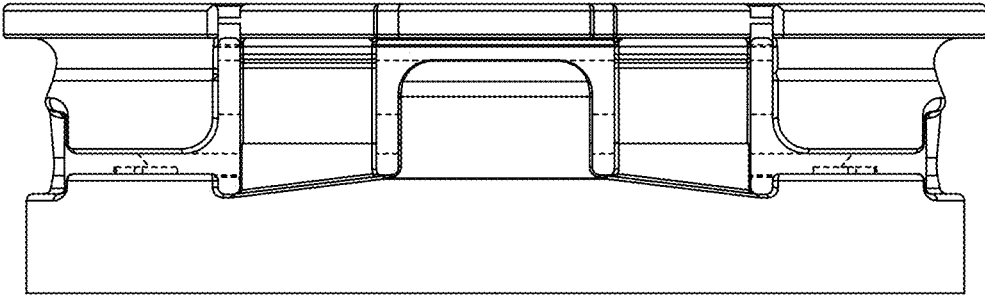


Fig. 7