



US00D731550S

(12) **United States Design Patent**
Kim

(10) **Patent No.:** **US D731,550 S**

(45) **Date of Patent:** **** Jun. 9, 2015**

(54) **DISPLAY SCREEN OR PORTION THEREOF WITH ANIMATED ICON**

(71) Applicant: **Samsung Electronics Co., Ltd.**,
Suwon-si (KR)

(72) Inventor: **Min Hyung Kim**, Seoul (KR)

(73) Assignee: **Samsung Electronics Co., Ltd.**,
Suwon-si (KR)

(**) Term: **14 Years**

(21) Appl. No.: **29/459,509**

(22) Filed: **Jul. 1, 2013**

(30) **Foreign Application Priority Data**

Jan. 4, 2013 (KR) 30-2013-0000686

(51) **LOC (10) CI.** **14-04**

(52) **U.S. CI.**
USPC **D14/494**

(58) **Field of Classification Search**

USPC D14/485, 486, 487, 488, 489, 490, 491,
D14/492, 493, 494, 495; 715/786, 835, 836,
715/837, 839, 840, 846, 847, 974, 810, 838

CPC G06F 3/017; G06F 3/0485
See application file for complete search history.

(56) **References Cited**

U.S. PATENT DOCUMENTS

D644,661	S *	9/2011	Gardner et al.	D14/495
D644,662	S *	9/2011	Gardner et al.	D14/495
D644,663	S *	9/2011	Gardner et al.	D14/495
8,375,327	B2 *	2/2013	Lorch et al.	715/810
8,676,937	B2 *	3/2014	Rapaport et al.	709/219
D714,811	S *	10/2014	Kim et al.	D14/485
D714,812	S *	10/2014	Kim et al.	D14/485
8,875,054	B2 *	10/2014	Hopkins et al.	715/833
D719,586	S *	12/2014	Jon	D14/495

(Continued)

OTHER PUBLICATIONS

U.S. Registered Trademark #2217588, filed on May 4, 1996 by Warner-Lambert Company. First-use-in commerce date Jul. 1, 1997.*

(Continued)

Primary Examiner — Karen E. Eldridge Powers

Assistant Examiner — Kimberly Barnes

(74) *Attorney, Agent, or Firm* — NSIP Law

(57) **CLAIM**

The ornamental design for a display screen or portion thereof with animated icon, as shown and described.

DESCRIPTION

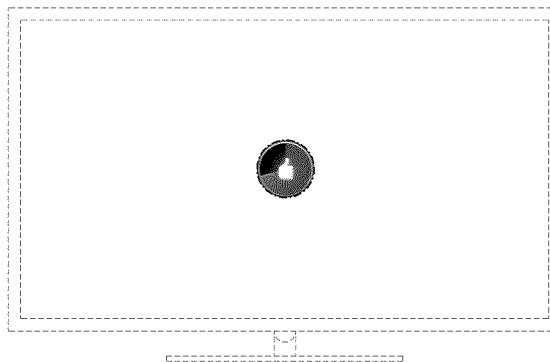
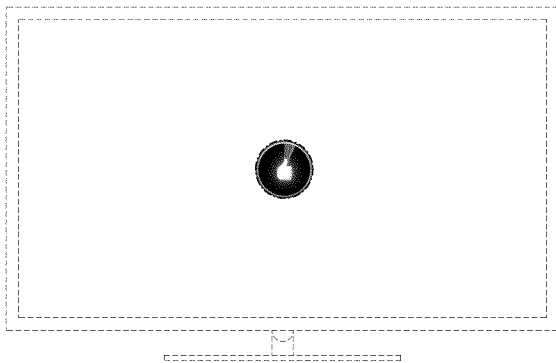
The file of this patent contains at least one drawing/photograph executed in color. Copies of this patent with color drawing(s)/photograph(s) will be provided by the Office upon request and payment of the necessary fee.

FIG. 1 is the first image in a sequence for a display screen or portion thereof with animated icon showing my new design; FIG. 2 is the second image thereof; FIG. 3 is the third image thereof; FIG. 4 is the fourth image thereof; FIG. 5 is the fifth image thereof; FIG. 6 is the sixth image thereof; FIG. 7 is the seventh image thereof; FIG. 8 is the eighth image thereof; FIG. 9 is the ninth image thereof; and, FIG. 10 is the tenth image thereof.

The broken-line outline of a circle shown with a short-and-long dash pattern in FIGS. 1-10 illustrates the bounds of the icon and forms no part of the claimed design.

The inventor contemplates that other embodiments of their design may include any part, portion, element or combination of elements of the claimed design.

1 Claim, 10 Drawing Sheets
(10 of 10 Drawing Sheet(s) Filed in Color)



(56)

References Cited

U.S. PATENT DOCUMENTS

2006/0150104	A1 *	7/2006	Lira	715/733
2012/0046715	A1 *	2/2012	Moffitt et al.	607/59
2013/0278504	A1 *	10/2013	Tong et al.	345/158
2014/0125589	A1 *	5/2014	Kim et al.	345/157
2015/0000025	A1 *	1/2015	Clements	4/443

OTHER PUBLICATIONS

U.S. Registered Trademark #4328833, filed on Jun. 17, 2011 by Deal Frenzy, Inc. First-use-in-commerce date Mar. 2011.*
U.S. Registered Trademark #3293853, filed on Apr. 17, 2006 by Colibert Enterprises, Inc. First-use-in-commerce date Jun. 14, 2004.*
U.S. Registered Trademark #3583514, filed on Dec. 27, 2006 by t-info GmbH. Published date Dec. 16, 2008.*
U.S. Registered Trademark #3595014, filed on Apr. 19, 2007 by t-info GmbH. Published date Jan. 6, 2009.*

U.S. Registered Trademark #4350088, filed on Oct. 19, 2012 by Social Power LLC. First-use-in-commerce date Oct. 2, 2012.*
U.S. Registered Trademark #4459080, filed on May 20, 2013 by Phoenix Peach, LLC. First-use-in-commerce date Oct. 30, 2012.*
U.S. Registered Trademark #4547547, filed on Oct. 28, 2013 by Southeast Supply, Inc. DBA GlovePro Corporation. First-use-in-commerce date Aug. 2013.*
U.S. Trademark Serial #77793694, filed on Jul. 30, 2009 by Kudoyou, Inc. Published date Dec. 22, 2009.*
U.S. Trademark Serial #85133390, filed on Sep. 20, 2010 by Arden Corporation. Published date Feb. 8, 2011.*
U.S. Trademark Serial #85350692, filed on Jun. 20, 2011 by Deni Hunter DBA iLike Media Group LLC. First-use-in-commerce date Jan. 3, 2011.*
U.S. Trademark Serial #85389264, filed on Aug. 4, 2011 by Steven Geter. Published date Jan. 10, 2012.*
U.S. Trademark Serial #85716542, filed on Aug. 29, 2012 by YouCanDoltTube Inc. Published date Feb. 5, 2013.*

* cited by examiner

FIG. 1

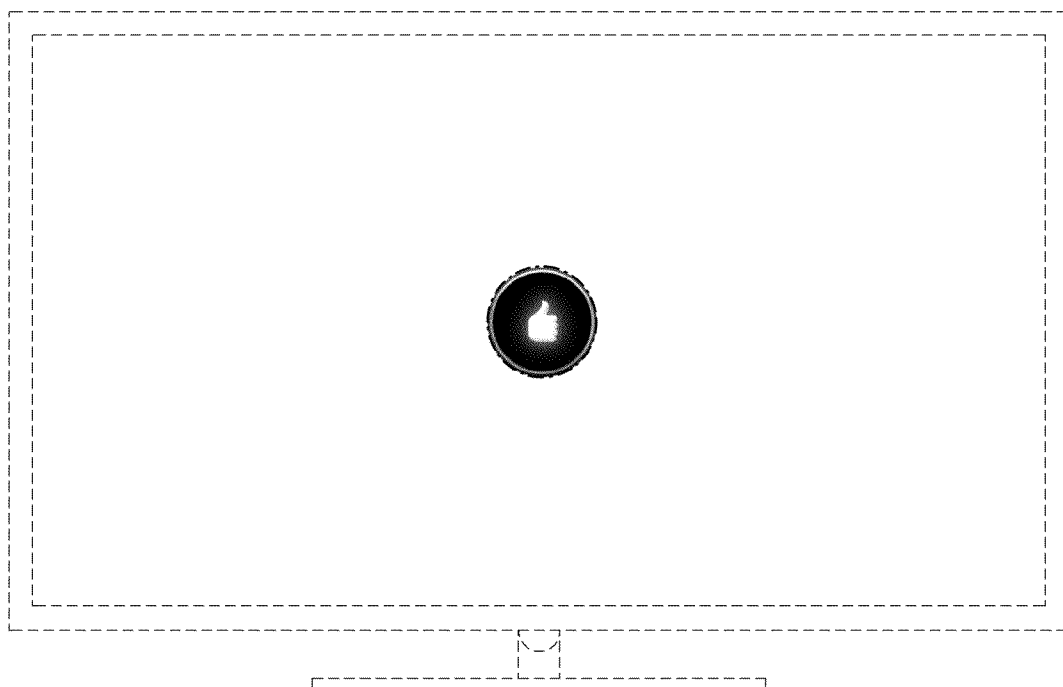


FIG. 2

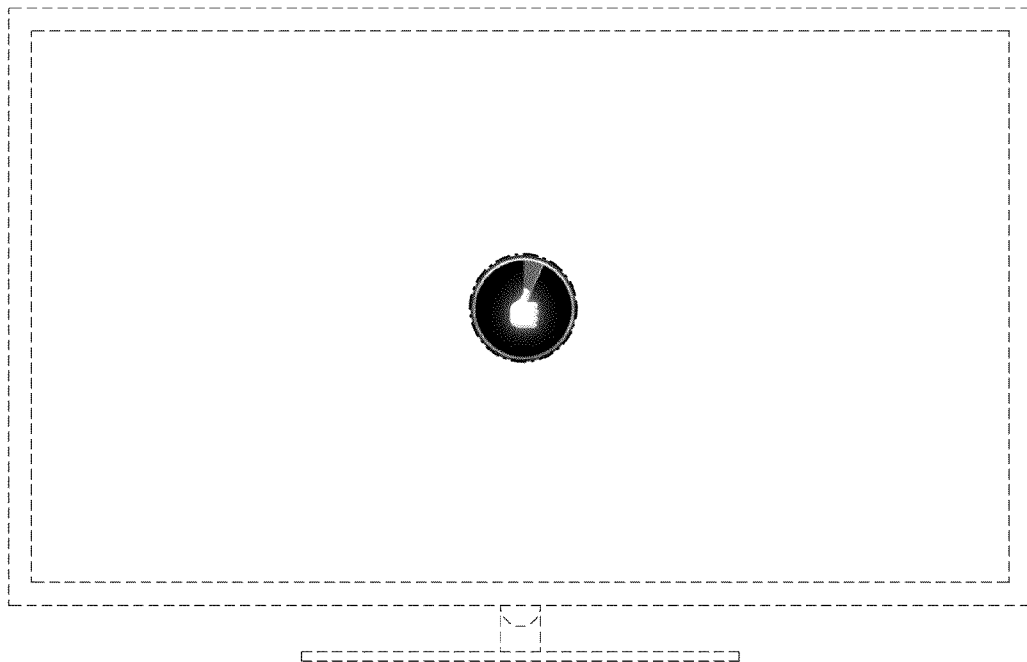


FIG. 3

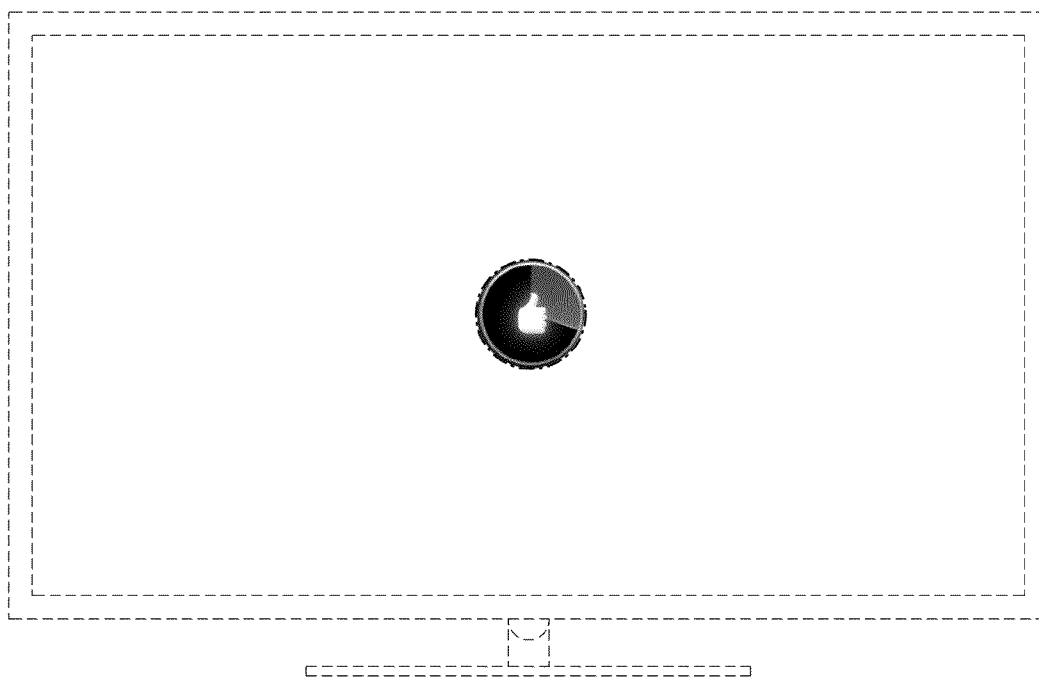


FIG. 4

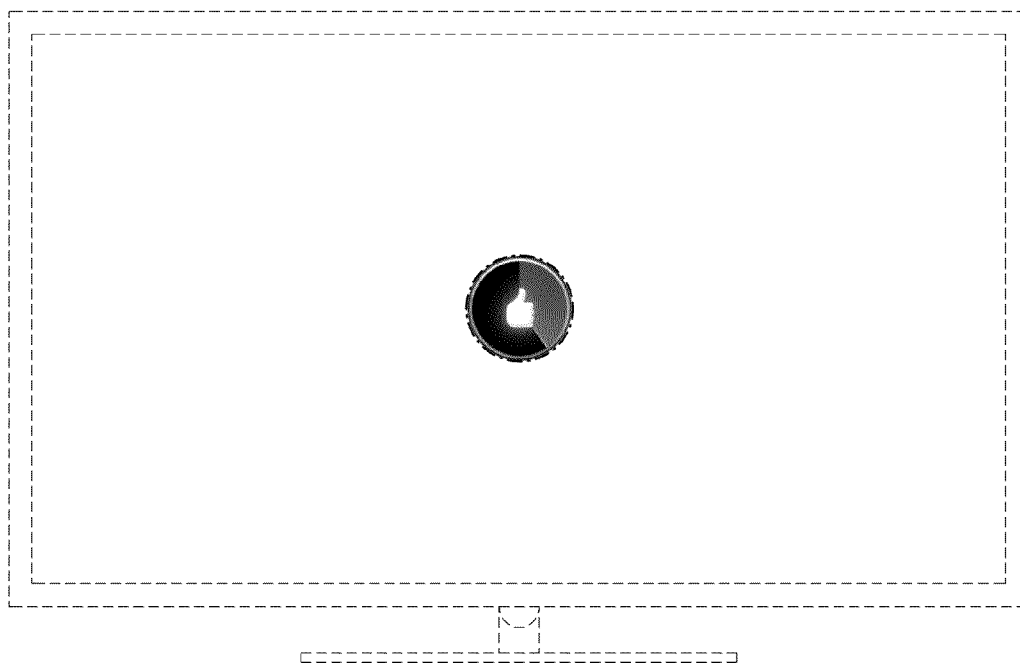


FIG. 5

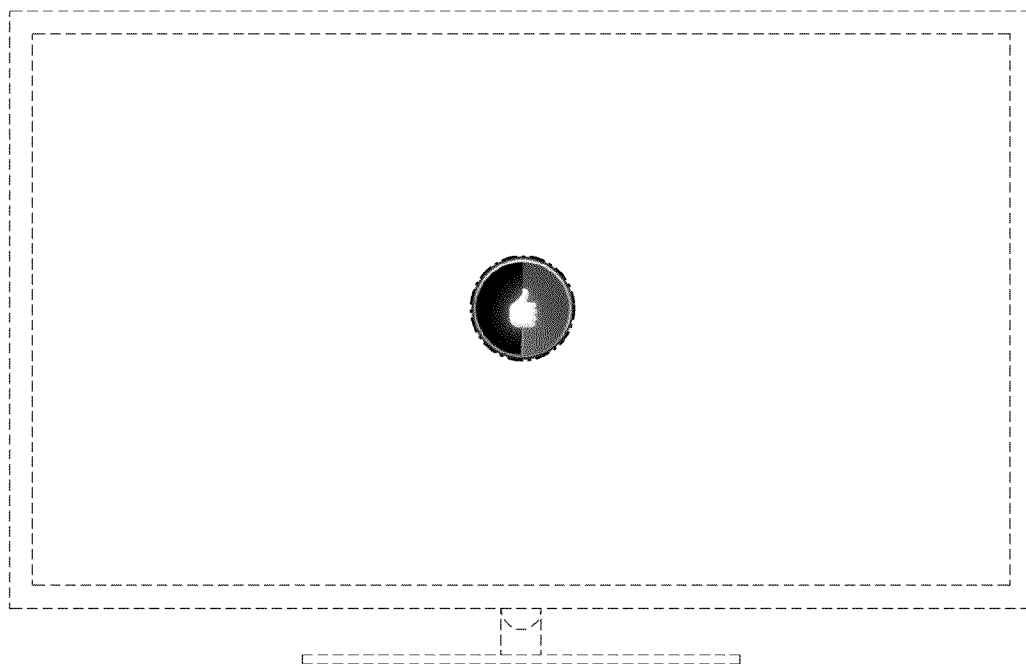


FIG. 6

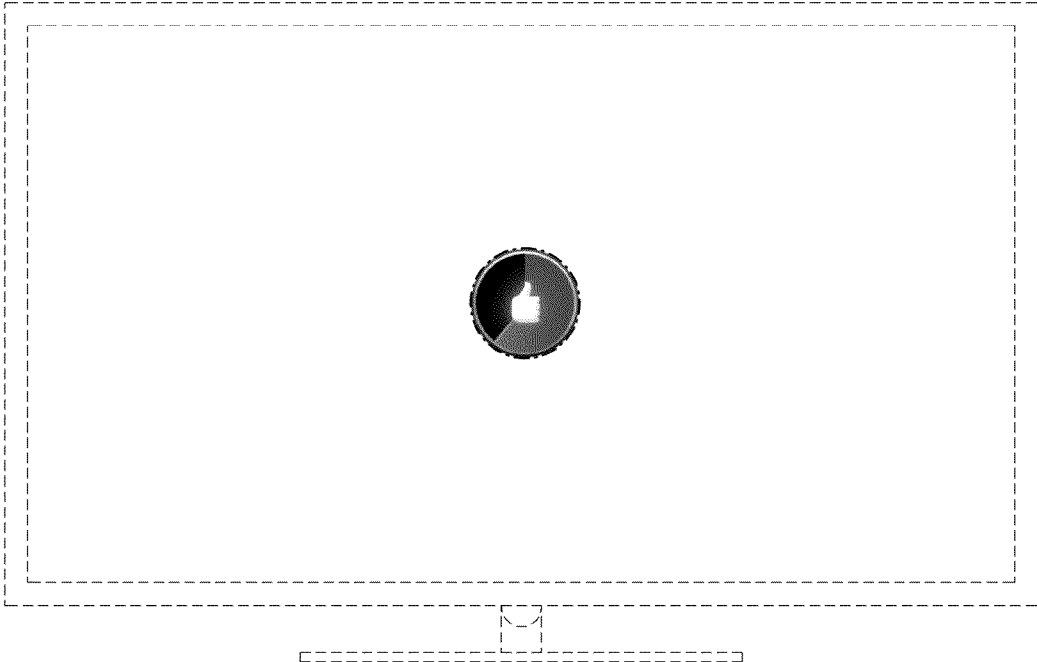


FIG. 7

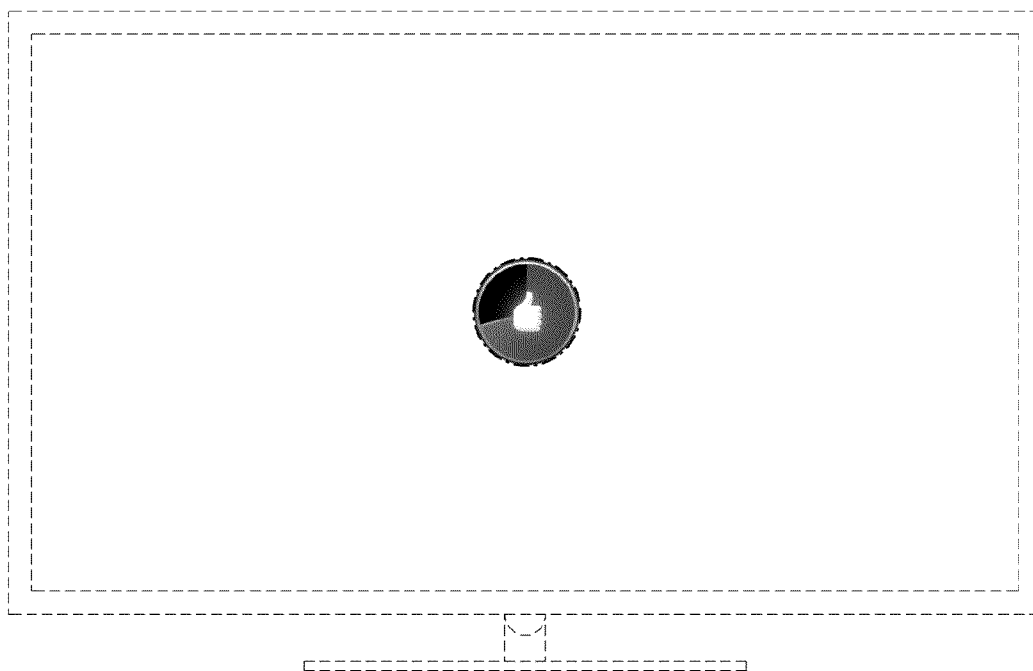


FIG. 8

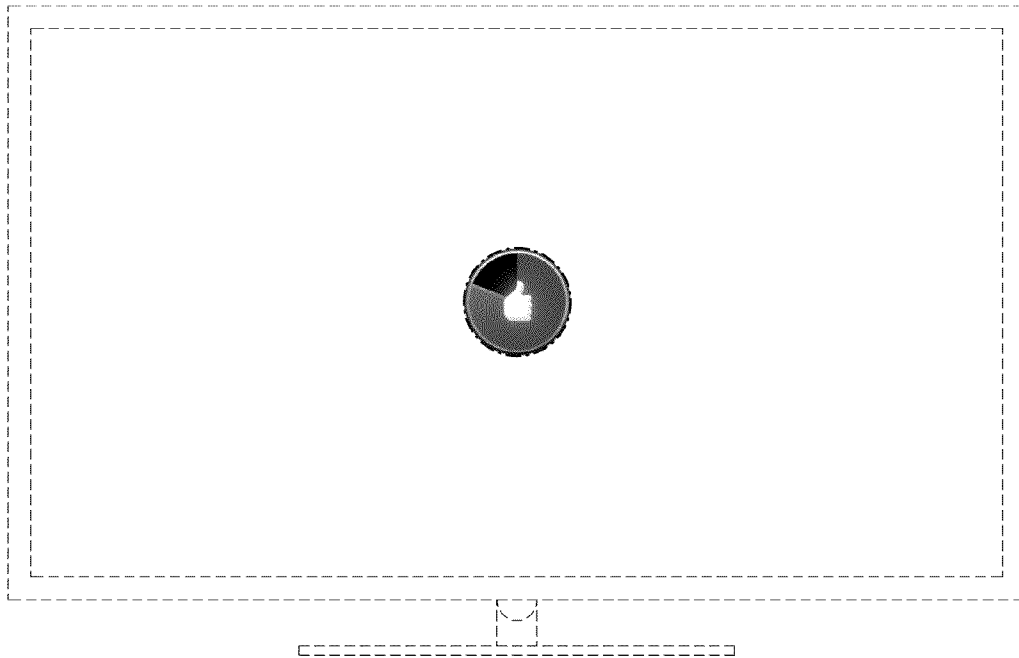


FIG. 9

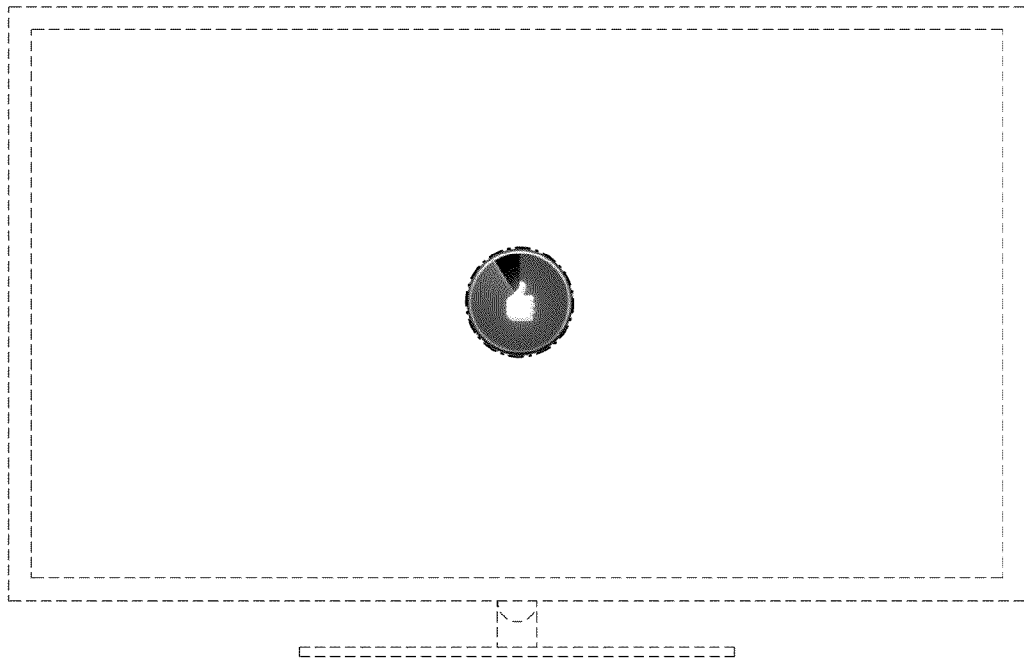


FIG. 10

