



US00D735511S

(12) **United States Design Patent**  
**Nelson**

(10) **Patent No.:** **US D735,511 S**

(45) **Date of Patent:** **\*\* Aug. 4, 2015**

(54) **LETTER E CHAIR**

(71) Applicant: **Keith Nelson**, Grimes, IA (US)

(72) Inventor: **Keith Nelson**, Grimes, IA (US)

(\*\*) Term: **14 Years**

(21) Appl. No.: **29/475,661**

(22) Filed: **Dec. 5, 2013**

**Related U.S. Application Data**

(63) Continuation of application No. 29/393,407, filed on Jun. 3, 2011, now Pat. No. Des. 699,993.

(51) **LOC (10) Cl.** ..... **06-06**

(52) **U.S. Cl.** ..... **D6/716**  
USPC .....

(58) **Field of Classification Search**  
USPC ..... D6/334, 341, 371-375, 381, 491-492,  
D6/500-502, 702, 716-716.1;  
297/232-233, 239, 300.1, 311, 353,  
297/445.1, 446.1, 448.1, 448.2, 452.11;  
5/12.1, 12.2

See application file for complete search history.

(56) **References Cited**

**U.S. PATENT DOCUMENTS**

3,485,527 A \* 12/1969 Barghout ..... 297/445.1  
D239,345 S \* 3/1976 Keller ..... D6/375  
D341,954 S \* 12/1993 Thompson ..... D6/374  
D376,465 S \* 12/1996 Haro et al. .... D1/114

D498,069 S \* 11/2004 Kreiss ..... D6/369  
D502,015 S \* 2/2005 Hollett et al. .... D6/335  
D537,263 S \* 2/2007 Berry et al. .... D6/381  
D549,970 S \* 9/2007 Bouroullec et al. .... D6/334  
D568,626 S \* 5/2008 Gharabegian ..... D6/374  
D572,928 S \* 7/2008 Rittfeldt et al. .... D6/375  
D595,515 S \* 7/2009 Collette ..... D6/334  
D601,357 S \* 10/2009 Siegel ..... D6/334  
D609,489 S \* 2/2010 Adams et al. .... D6/375  
D646,096 S \* 10/2011 Langbord et al. .... D6/502  
D653,886 S \* 2/2012 Lucci ..... D6/502  
D656,337 S 3/2012 Townsend  
D668,469 S 10/2012 Siegel  
D672,579 S 12/2012 Vass  
D676,690 S 2/2013 Pheasant  
D697,352 S \* 1/2014 Skalka ..... D6/716.1

\* cited by examiner

*Primary Examiner* — Kelley Donnelly

(74) *Attorney, Agent, or Firm* — McKee, Voorhees & Sease, PLC

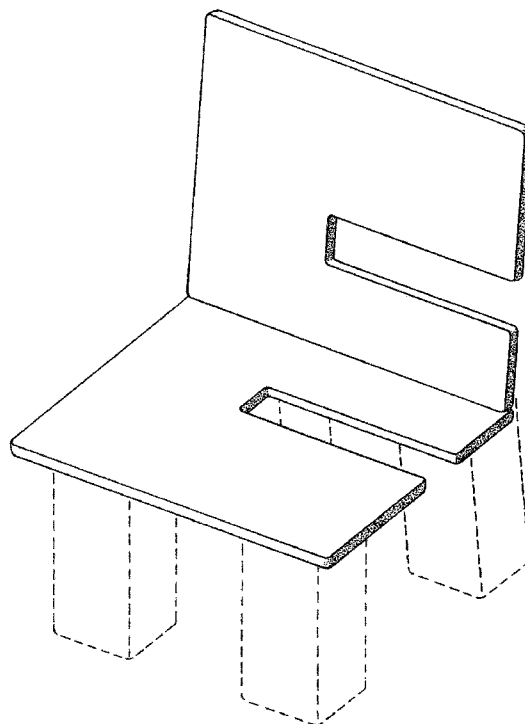
(57) **CLAIM**

I claim the ornamental design for the letter E chair, as shown and described.

**DESCRIPTION**

FIG. 1 is a perspective view of the letter “E” chair.  
FIG. 2 is a front view of the letter “E” chair.  
FIG. 3 is a rear view of the letter “E” chair.  
FIG. 4 is a top view of the letter “E” chair.  
FIG. 5 is a side view of the letter “E” chair; and,  
FIG. 6 is a side view of the letter “E” chair.

**1 Claim, 6 Drawing Sheets**



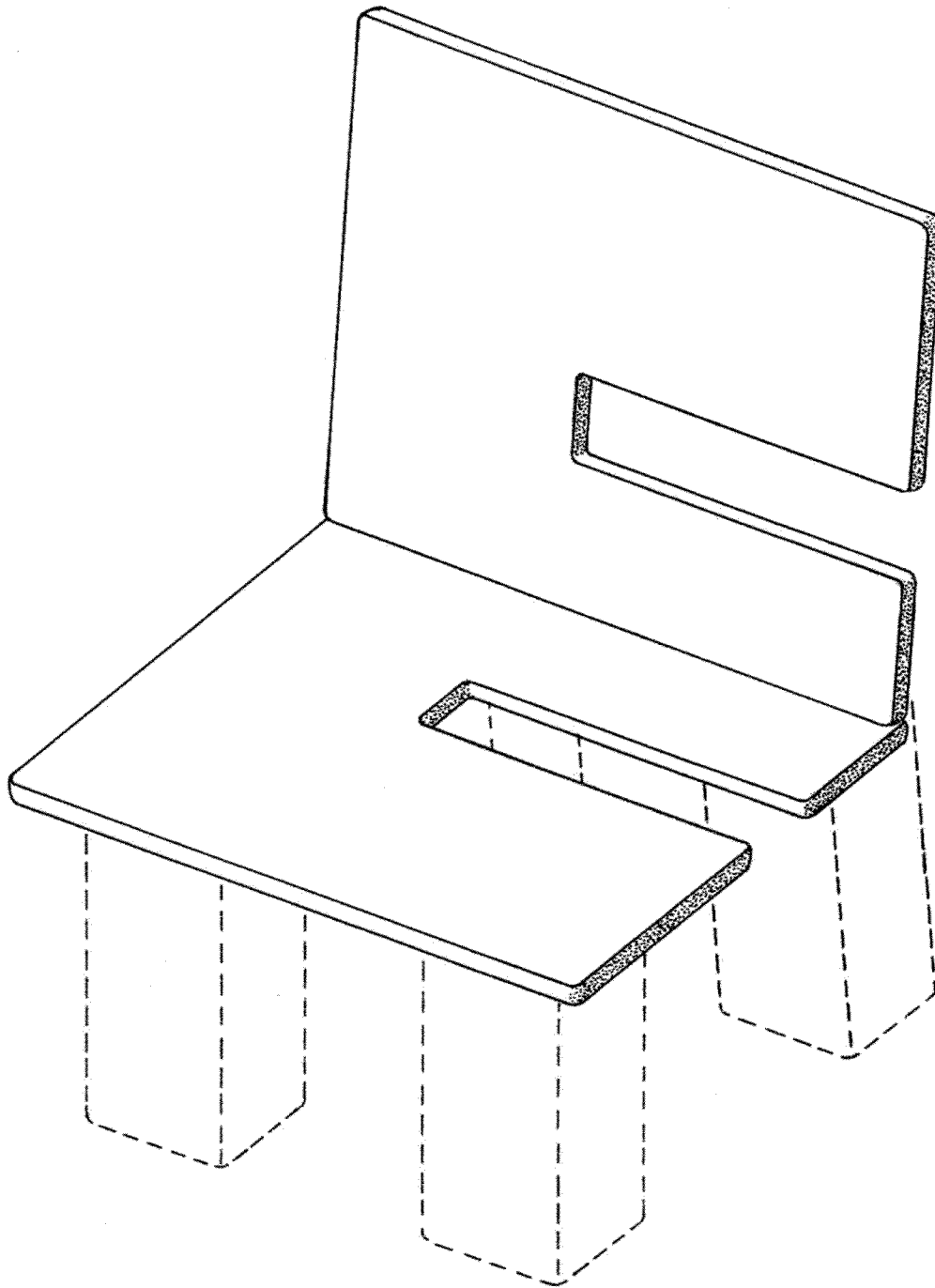


FIG. 1

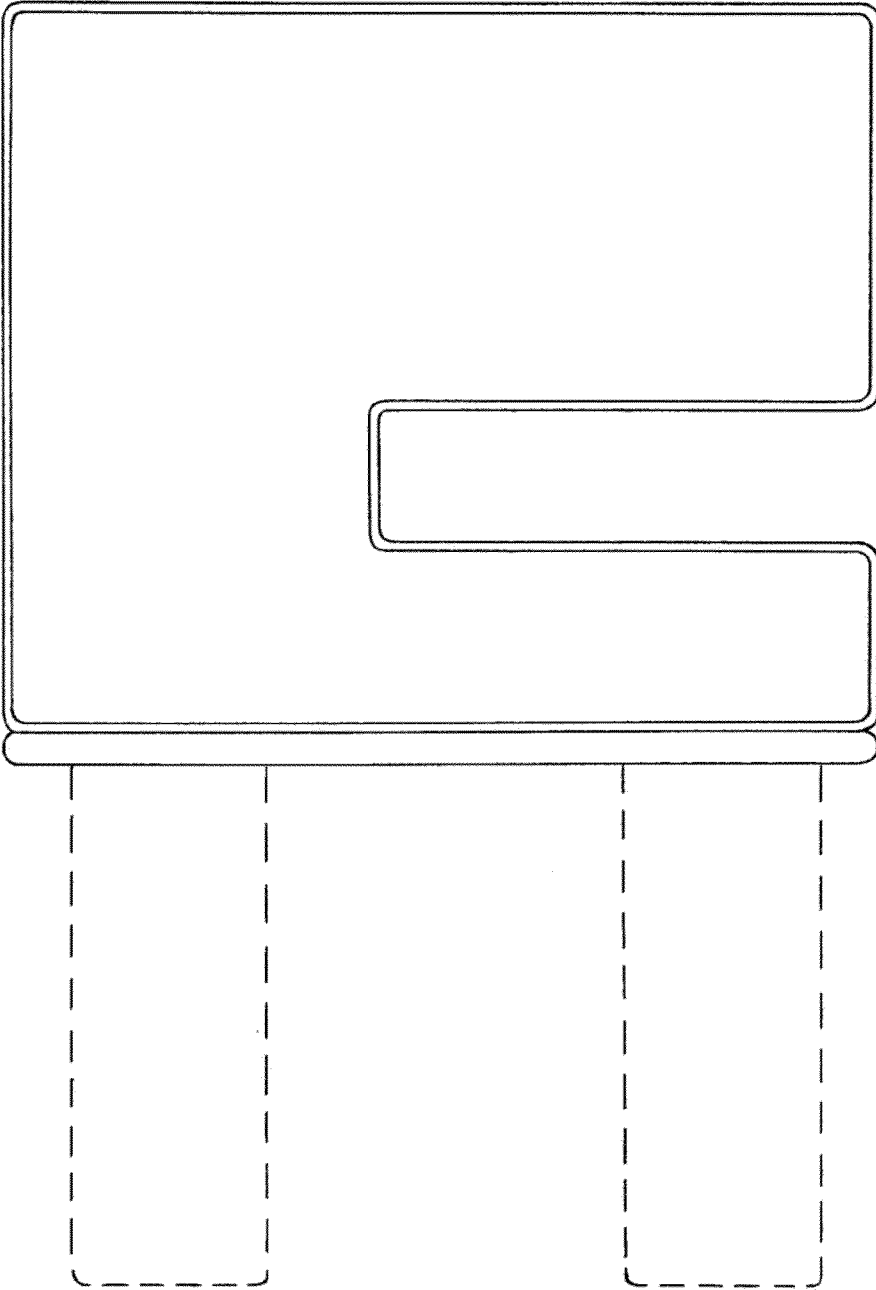


FIG. 2

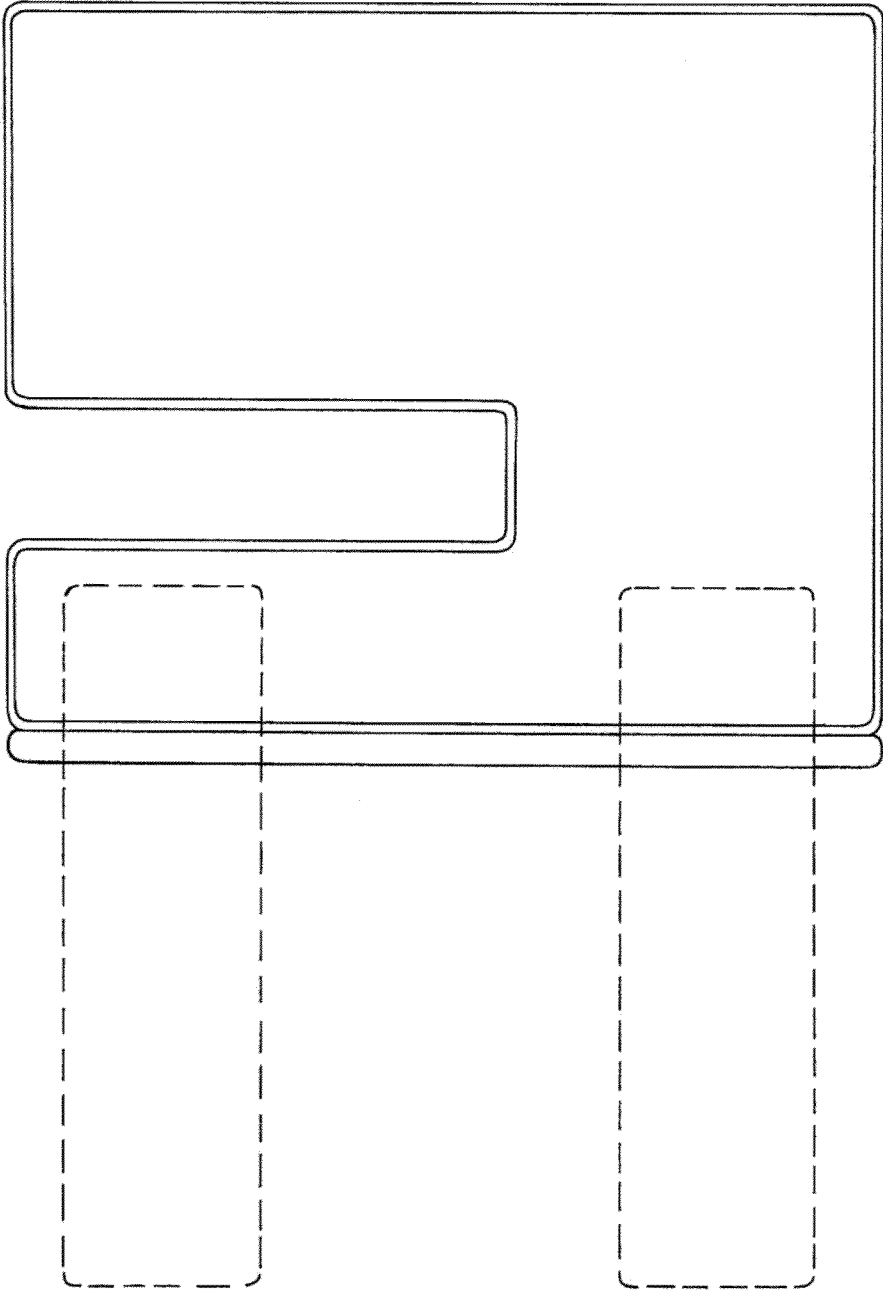


FIG. 3

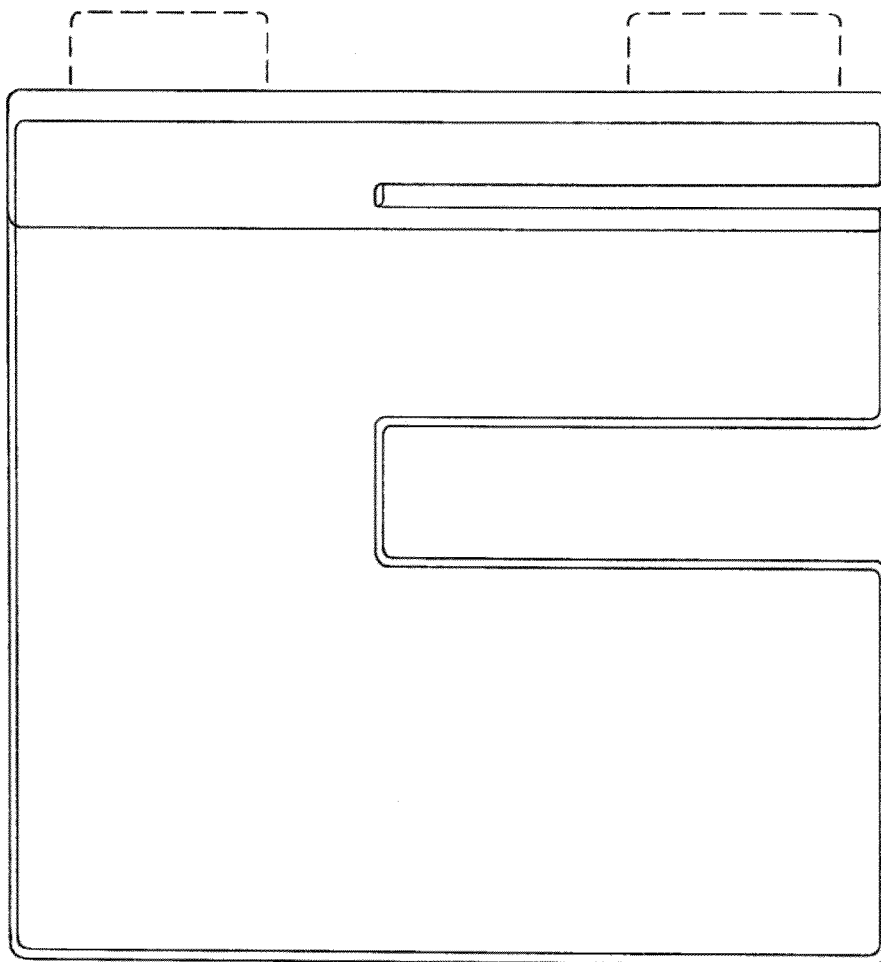


FIG. 4

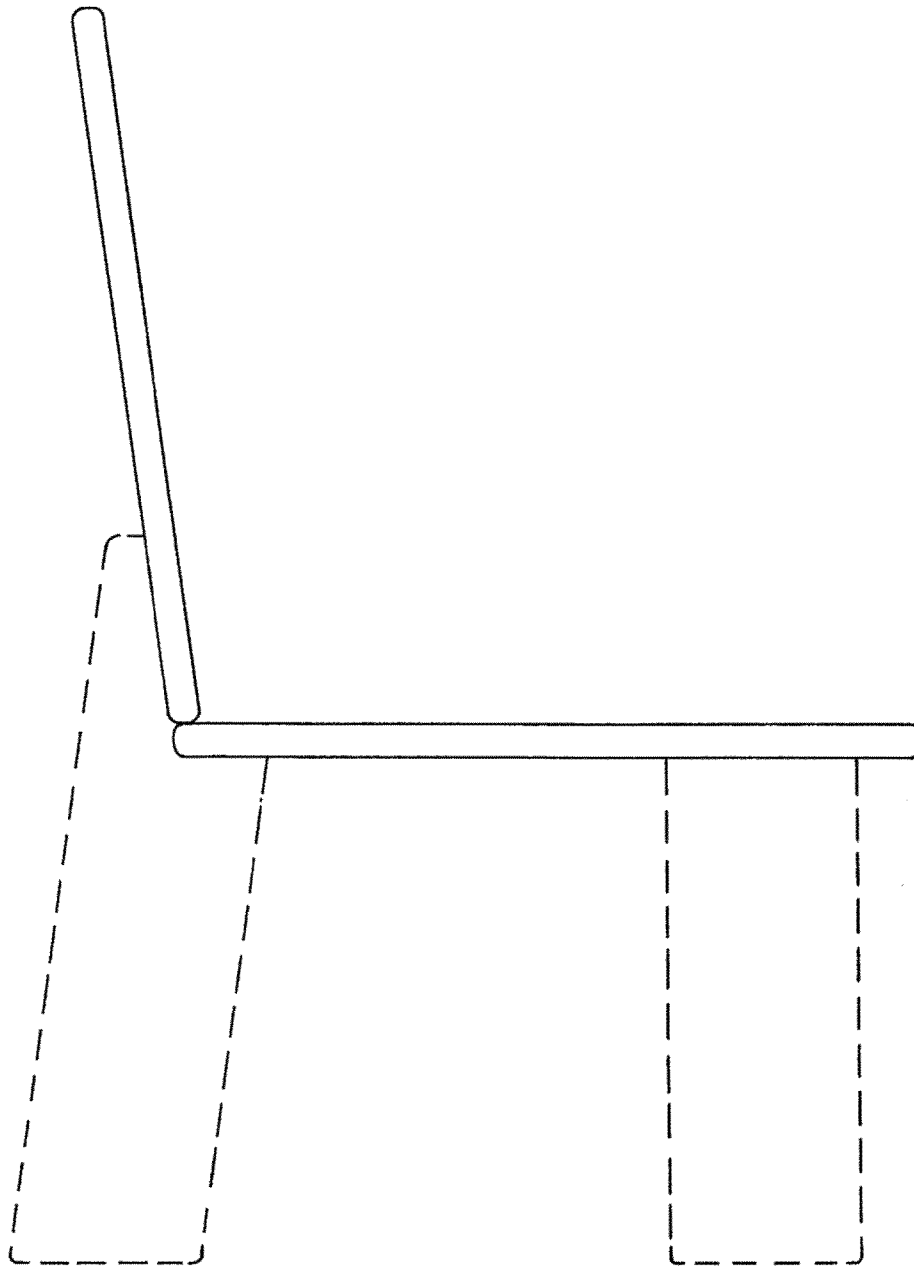


FIG. 5

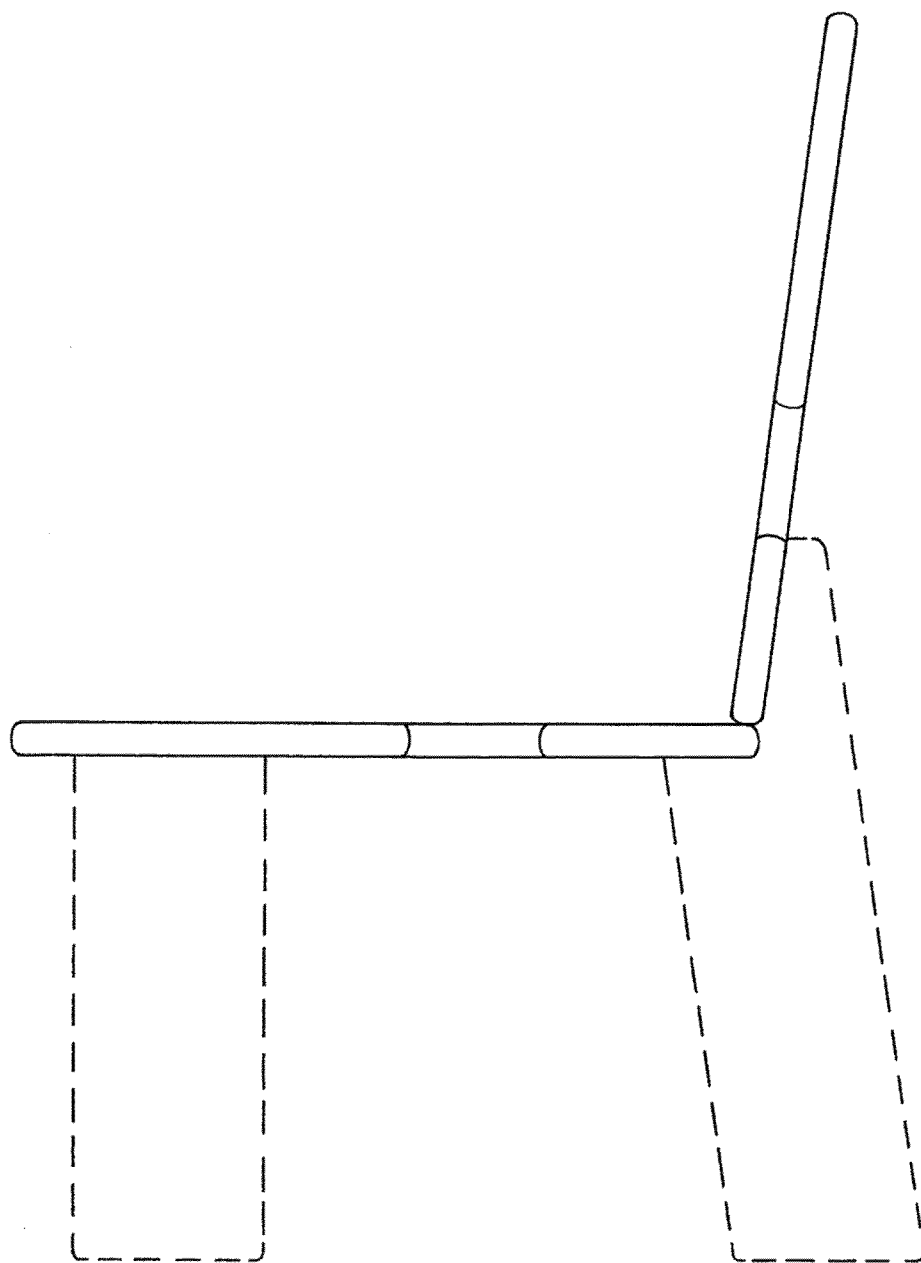


FIG. 6