



US00D432017S

United States Patent [19]

[11] Patent Number: **Des. 432,017**

Alvarado

[45] Date of Patent: **** Oct. 17, 2000**

[54] **COSMETIC JAR**

D. 402,412	12/1998	Thorpe	D28/901
D. 403,589	1/1999	Wong	D9/529
D. 408,590	4/1999	Litton	D28/91

[75] Inventor: **Jose Enrique Mendoza Alvarado,**
Mexico City, Mexico

OTHER PUBLICATIONS

[73] Assignee: **Unilever Home & Personal Care USA**
Division of Conopco, Inc., Greenwich,
Conn.

Beauty Fasion, Oct., 1979, p. 19, 'Stendhal' jar.
Drug and Cosmetic Industry, Jul. 1982, p. 53, "Domed
Hendon" jar by Braun.

[**] Term: **14 Years**

Primary Examiner—Lucy Lieberman
Attorney, Agent, or Firm—Rimma Mitelman

[21] Appl. No.: **29/111,547**

[57] CLAIM

[22] Filed: **Sep. 30, 1999**

The ornamental design for a cosmetic jar, as shown and
described.

[51] **LOC (7) Cl.** **09-01**

[52] **U.S. Cl.** **D9/529; D28/76; D28/82**

[58] **Field of Search** D9/529, 504, 548,
D9/454, 434; 215/382, 383, 384; D28/76,
82, 91

DESCRIPTION

[56] References Cited

U.S. PATENT DOCUMENTS

D. 275,733	10/1984	Pardo	D9/504
D. 303,584	9/1989	Bakic	D9/504
D. 350,192	8/1994	Patel et al.	D9/504
D. 398,079	9/1998	Denison	D28/82

FIG. 1 is a front perspective of my new design;
FIG. 2 is a front view thereof;
FIG. 3 is a rear view thereof;
FIG. 4 is a left side view thereof;
FIG. 5 is a right side view thereof;
FIG. 6 is a top view thereof; and,
FIG. 7 is a bottom view thereof.

1 Claim, 2 Drawing Sheets

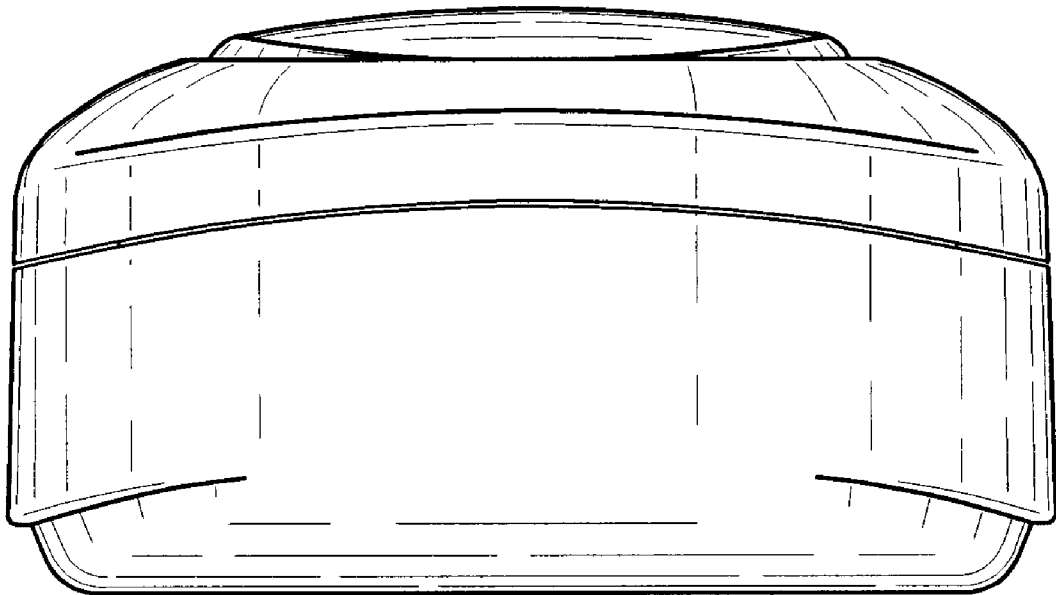


FIG. 1

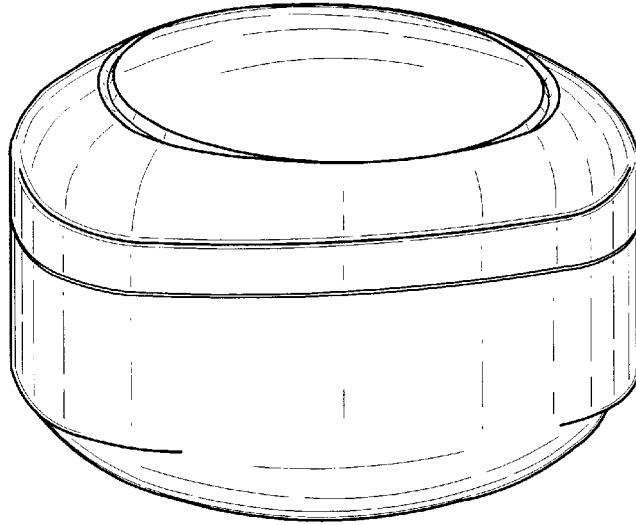


FIG. 2

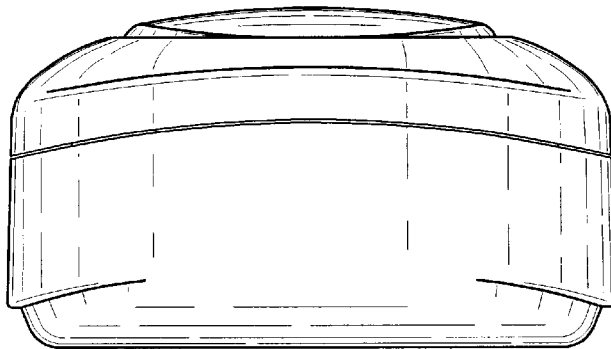


FIG. 3

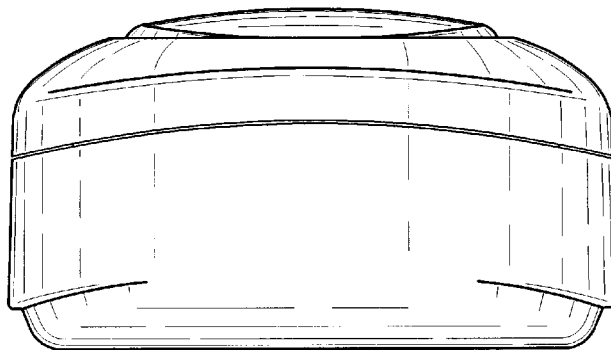


FIG. 4

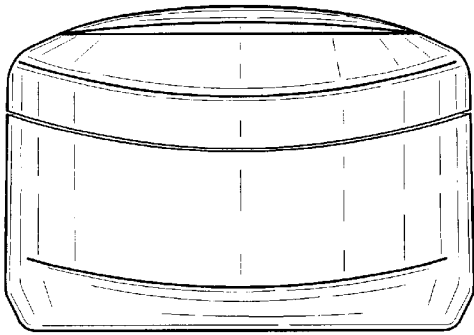


FIG. 5

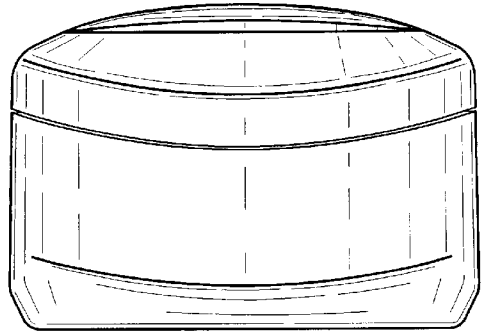


FIG. 6

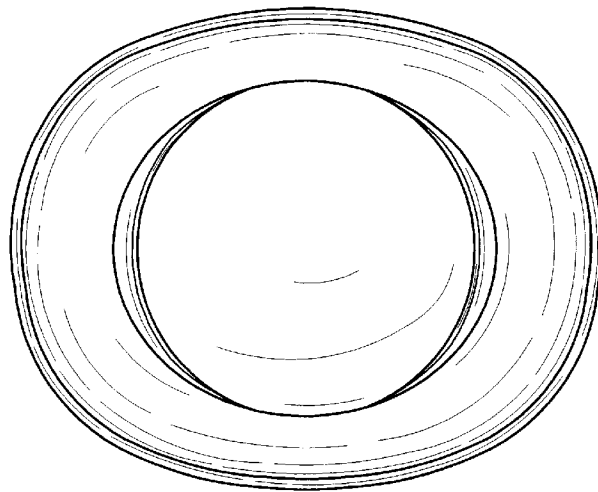


FIG. 7

