



US00D795732S

(12) **United States Design Patent**
Rafaelian

(10) **Patent No.:** **US D795,732 S**

(45) **Date of Patent:** **** *Aug. 29, 2017**

(54) **BRACELET**

(71) Applicant: **Alex and Ani, LLC**, Cranston, RI (US)

(72) Inventor: **Carolyn A. Rafaelian**, Cranston, RI (US)

(73) Assignee: **Alex and Ani, LLC**, Cranston, RI (US)

(*) Notice: This patent is subject to a terminal disclaimer.

(**) Term: **15 Years**

(21) Appl. No.: **29/557,589**

(22) Filed: **Mar. 10, 2016**

(51) **LOC (10) Cl.** **11-01**

(52) **U.S. Cl.** **D11/5**
USPC

(58) **Field of Classification Search**

USPC D11/1-39; D28/41
CPC .. A44C 5/00; A44C 5/10; A44C 5/022; A44C 5/025; A44C 5/145; A44C 5/0007; A44C 5/0061; A44C 5/0076; A44C 5/0084; A44C 5/0092; A44C 5/2071; A44C 5/2085; A44C 9/0038; A44C 9/0053; A44C 17/02; A44C 5/0069; A44C 5/142

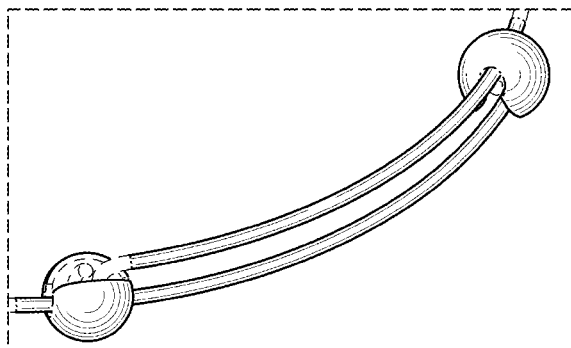
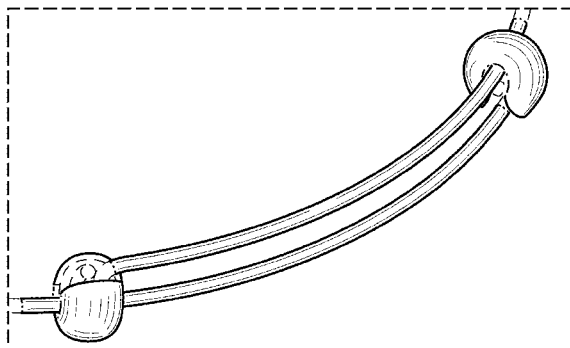
See application file for complete search history.

(56) **References Cited**

U.S. PATENT DOCUMENTS

118,294 A 8/1871 Stevens
D14,438 S 11/1883 Ahn
393,239 A 11/1888 Johnstone
421,615 A 2/1890 Riker
933,303 A 5/1911 Kirby
1,124,518 A 1/1915 Qvarnstrom
D69,012 S 12/1925 Dalin
2,462,425 A 2/1949 Pratt et al.
D224,257 S 7/1972 Lee
D245,834 S 9/1977 Wilbert
4,321,804 A 3/1982 Borofsky et al.
4,334,413 A 6/1982 Gaston et al.
D267,159 S 12/1982 Borofsky

D268,013 S 2/1983 Stimmler
D295,267 S 4/1988 Saraga
5,247,814 A 9/1993 McDonald
5,307,582 A 5/1994 Quintel
D382,829 S 8/1997 Hoffman
D439,192 S 3/2001 Ruscitti
D472,177 S 3/2003 McCullough-McPherson
6,564,582 B1 5/2003 Brachfeld
D487,709 S 3/2004 Ferlise
D498,167 S 11/2004 Ferlise
D525,553 S 7/2006 Toupet
D619,026 S 7/2010 Papadimitriou
D658,085 S 4/2012 Rafaelian
D658,086 S 4/2012 Rafaelian
D658,087 S 4/2012 Rafaelian
D658,088 S 4/2012 Rafaelian
D658,089 S 4/2012 Rafaelian
D658,528 S 5/2012 Rafaelian
D662,849 S 7/2012 Rafaelian
D663,232 S 7/2012 Rafaelian
D663,233 S 7/2012 Rafaelian
D664,466 S 7/2012 Rafaelian
D669,115 S * 10/2012 Kalbach D16/339
D669,385 S 10/2012 Rafaelian
D672,678 S * 12/2012 Nadeau D11/11
D678,102 S 3/2013 Rafaelian
D686,520 S 7/2013 Rafaelian
D700,860 S 3/2014 Nadeau
D703,087 S 4/2014 Fiasconaro
D703,088 S 4/2014 Fiasconaro
D704,085 S 5/2014 DiPietro
D704,086 S * 5/2014 DiPietro D11/5
D704,087 S * 5/2014 DiPietro D11/5
D706,665 S 6/2014 Goldwiz
D707,149 S 6/2014 Ovadia
D707,582 S * 6/2014 DiPietro D11/5
D708,088 S 7/2014 DeCristofaro
D709,789 S * 7/2014 Soares D11/5
8,769,986 B1 * 7/2014 DiPietro A44C 25/007
63/3.1
RE45,079 E 8/2014 Ferlise
D710,738 S * 8/2014 Kim D11/4
D716,175 S 10/2014 Rosenel
D724,470 S 3/2015 Rafaelian
D724,471 S 3/2015 Blondet
D724,472 S 3/2015 Blondet
D724,473 S 3/2015 Blondet
D724,474 S 3/2015 Blondet
D724,475 S 3/2015 Lux
D724,985 S 3/2015 Blondet
D724,986 S 3/2015 Blondet
D729,101 S 5/2015 Rafaelian
D738,773 S 9/2015 Rafaelian



9,301,580 B1 4/2016 Rafaelian
 2007/0022778 A1 2/2007 Ferlise
 2014/0090215 A1 4/2014 Lixenberg

FOREIGN PATENT DOCUMENTS

CA	154431	10/2014
CA	160435	3/2016
EP	1 038 463 A1	9/2000
GB	233872 A	5/1925
JP	1177437 S	6/2003
JP	1268404 S	4/2006
JP	1496501 S	5/2014
KR	3008138520000	9/2005

OTHER PUBLICATIONS

Hinks, Victorian Jewellery. pp. 41, 97, 200, 201, 204. 1991. 6 pages.
 [No Author Listed] Illustrated Jewelry Catalog 1892. The New England Jeweler. 1998; p. 52.

[No Author Listed] How to make a sliding adjustable necklace. Rings & Things Jewelry Making Blog. Jun. 2011. <http://www.rings-things.com/blog/2011/06/23/how-to-make-a-sliding-adjustable-necklace/> [accessed Dec. 12, 2014]. 3 pages.

[No Author Listed] Rings & Things Blog. Jun. 23, 2011. <http://www.rings-things.com/blog/2011/06/#.VDRi6fldUWY>. 1 page.

[No Author Listed] Sterling Silver Black Leather Expandable Cord Bracelet #312709—IceCarats. <http://www.icecarats.com/sterling-silver-black-leather-expandable-cord-bracelet-312709...> [accessed Dec. 12, 2014]. 4 pages.

[No Author Listed] Sterling Silver Claddagh Baby Childrens Bracelet Expandable 6.5 in. BlingJewelry.com http://www.blingjewelry.com/bling-jewelry-sterling-silver-claddagh-baby-childrens-bangle-bracelet-expandable.html?gclid=CjwKEAjwms6hBRDTpb_jkbTviUYSJACBbherDYKsTmUeeLzKQhqmXJpCt5R0FaU0vm-R0fDty1GSrBoCwDPw_wcB [Accessed Aug. 5, 2016]. 3 pages.

[No Author Listed] Sterling Silver Claddagh Baby Childrens Bracelet Expandable 6.5 in. http://www.blingjewelry.com/bling-jewelry-sterling-silver-claddagh-baby-childrens-bangle-bracelet-expandable.html?gclid=CjwKEAjwms6hBRDTpb_jkbTviUYSJACBbherDYKsTmUeeLzKQhqmXJpCt5R0FaU0vm-R0fDty1GSrBoCwDPw_wcB [Accessed at least as early as Aug. 10, 2015]. 1 page.

[No Author Listed] Sterling Silver Adjustable “Live Laugh Love” Graffiti Charm Bangle Bracelet. Webpage from Oct. 14, 2016. <https://amzn.com/B00M10MAH4>.

* cited by examiner

Primary Examiner — Garth Rademaker

Assistant Examiner — Richard Kearney

(74) *Attorney, Agent, or Firm* — Merchant & Gould P.C.

(57) CLAIM

The ornamental design for a bracelet, as shown and described.

DESCRIPTION

FIG. 1 is a top, front, left side, perspective view of a bracelet showing a first embodiment of our new design;

FIG. 2 is an enlarged fragmentary view showing a portion of FIG. 1;

FIG. 3 is a top, front, right side, perspective view of the bracelet;

FIG. 4 is an enlarged fragmentary view showing a portion of FIG. 3;

FIG. 5 is a top plan view of the bracelet;

FIG. 6 is an enlarged fragmentary view showing a portion of FIG. 5;

FIG. 7 is a front elevation view of the bracelet;

FIG. 8 is an enlarged fragmentary view showing a portion of FIG. 7;

FIG. 9 is a rear elevation view of the bracelet;

FIG. 10 is an enlarged fragmentary view showing a portion of FIG. 9;

FIG. 11 is a right side elevation view of the bracelet;

FIG. 12 is an enlarged fragmentary view showing a portion of FIG. 11;

FIG. 13 is a left side elevation view of the bracelet;

FIG. 14 is an enlarged fragmentary view showing a portion of FIG. 13;

FIG. 15 is a bottom plan view of the bracelet;

FIG. 16 is an enlarged fragmentary view showing a portion of FIG. 15;

FIG. 17 is a top, front, left side, perspective view showing a second embodiment thereof;

FIG. 18 is an enlarged fragmentary view showing a portion of FIG. 17;

FIG. 19 is a top, front, right side, perspective view of FIG. 17;

FIG. 20 is an enlarged fragmentary view showing a portion of FIG. 19;

FIG. 21 is a top plan view of FIG. 17;

FIG. 22 is an enlarged fragmentary view showing a portion of FIG. 21;

FIG. 23 is a front elevation view of FIG. 17;

FIG. 24 is an enlarged fragmentary view showing a portion of FIG. 23;

FIG. 25 is a rear elevation view of FIG. 17;

FIG. 26 is an enlarged fragmentary view showing a portion of FIG. 25;

FIG. 27 is a right side elevation view of FIG. 17;

FIG. 28 is an enlarged fragmentary view showing a portion of FIG. 27;

FIG. 29 is a left side elevation view showing a portion of FIG. 17;

FIG. 30 is an enlarged fragmentary view showing a portion of FIG. 29;

FIG. 31 is a bottom plan view of FIG. 17; and,

FIG. 32 is an enlarged fragmentary view showing a portion of FIG. 31.

The dash-dash broken lines represent portions of the bracelet that form no part of the claimed design. The dot-dash broken lines represent boundaries of the claimed design and form no part of the claimed design.

FIG. 1

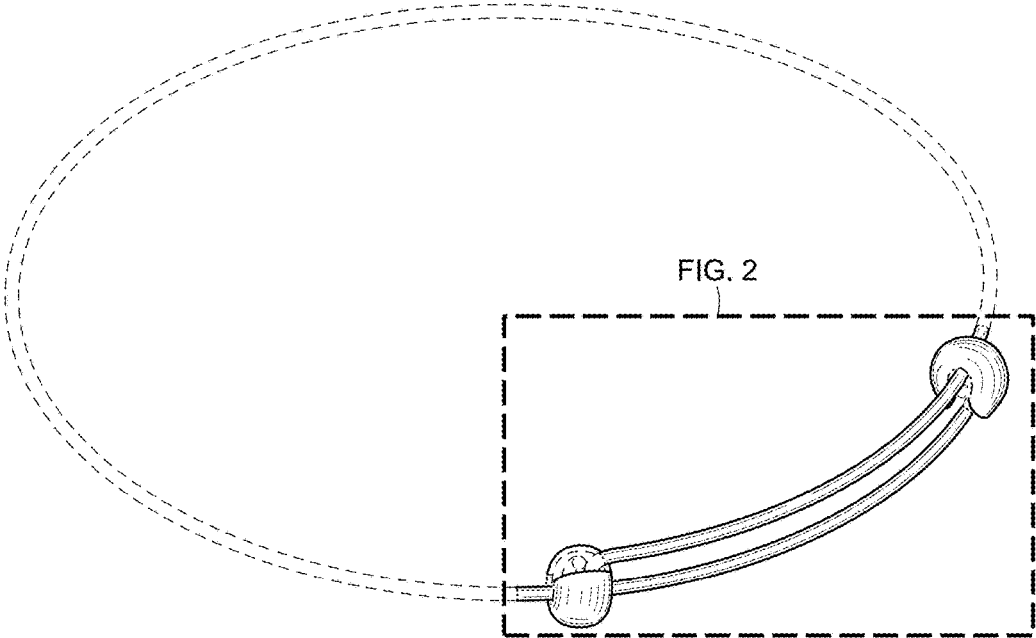


FIG. 2

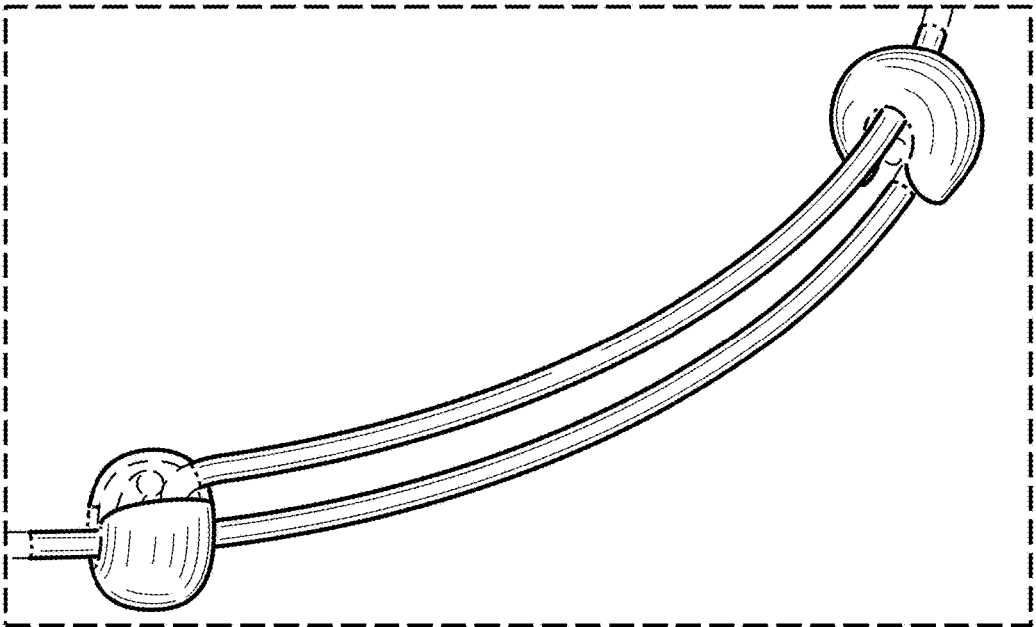


FIG. 3

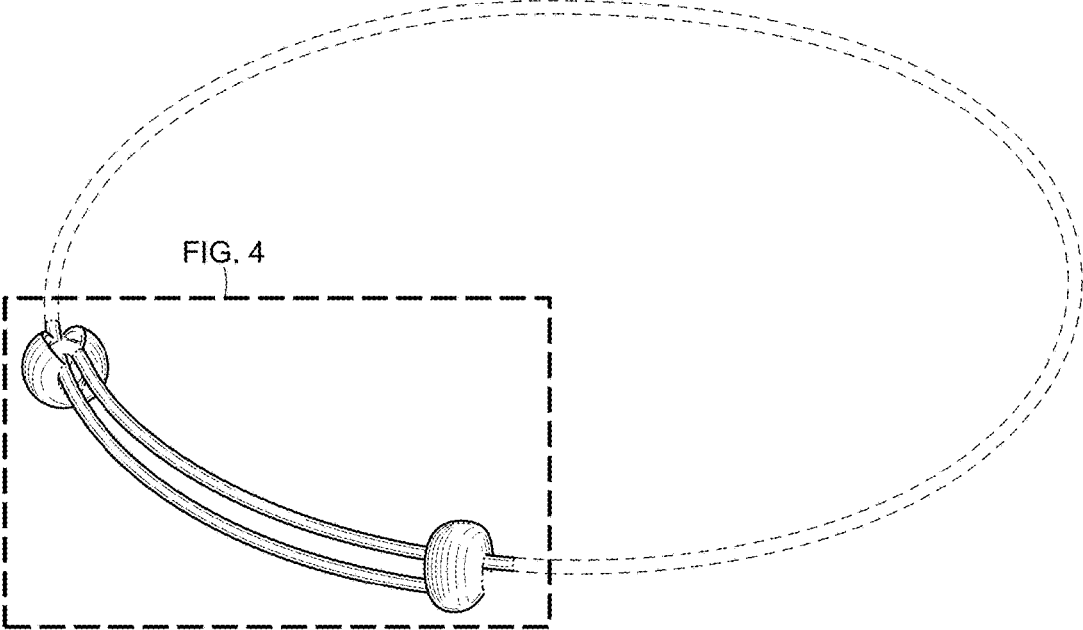


FIG. 4

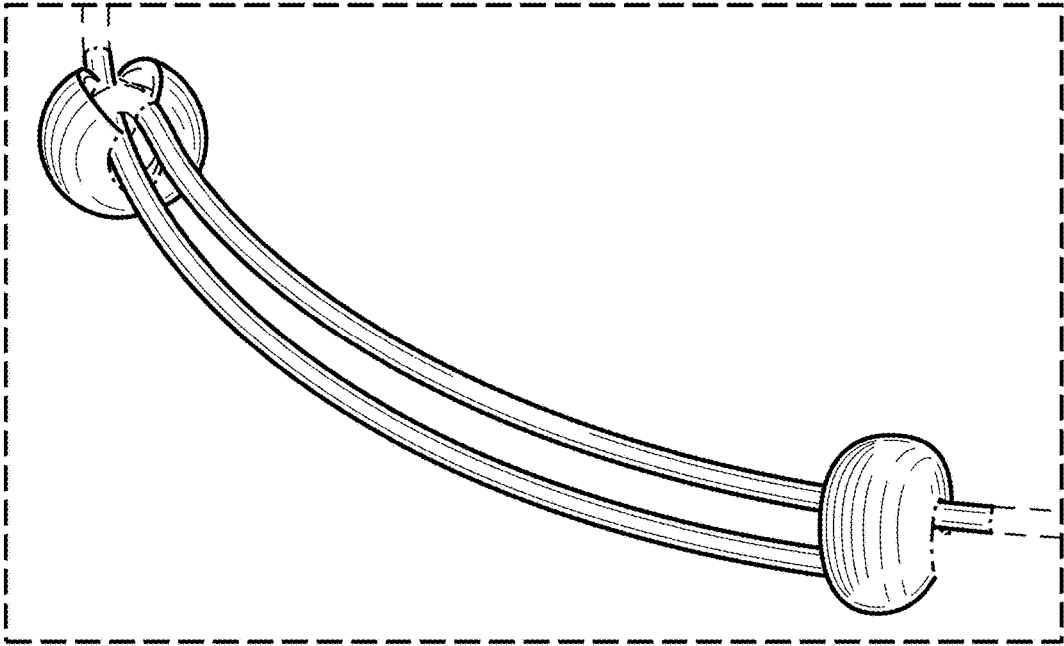


FIG. 5

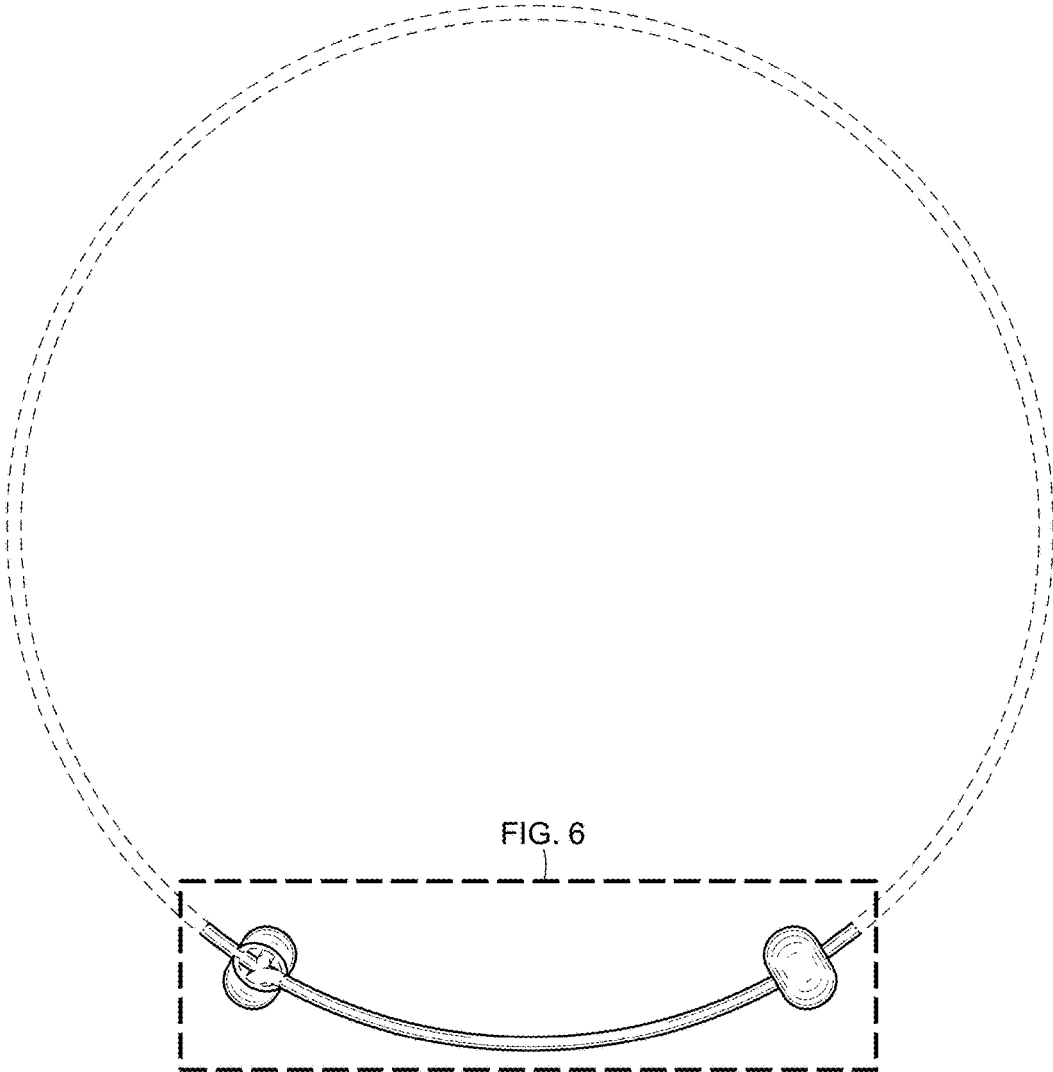


FIG. 6

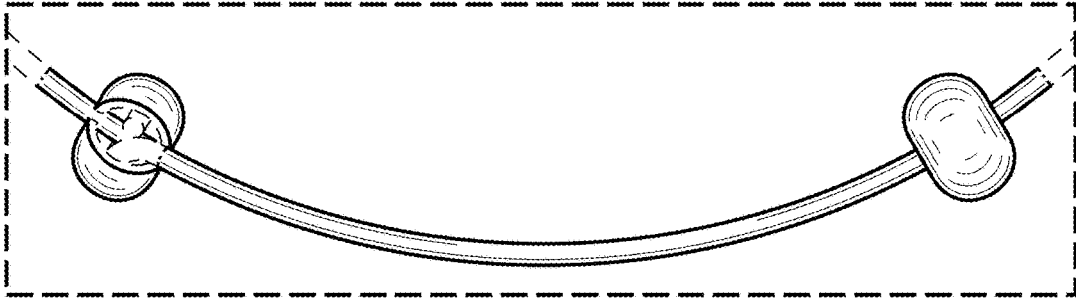


FIG. 7

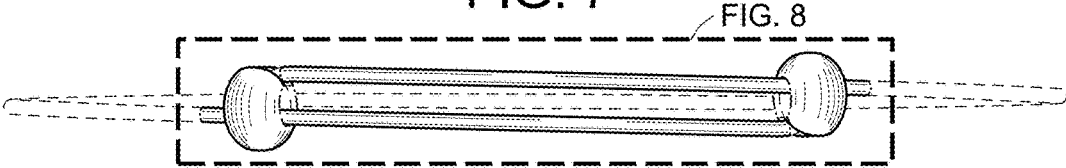


FIG. 8

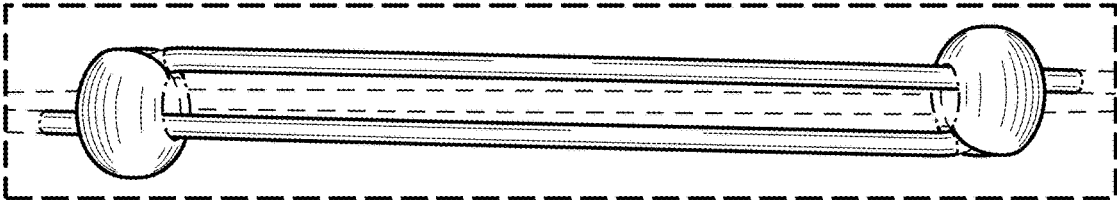


FIG. 9

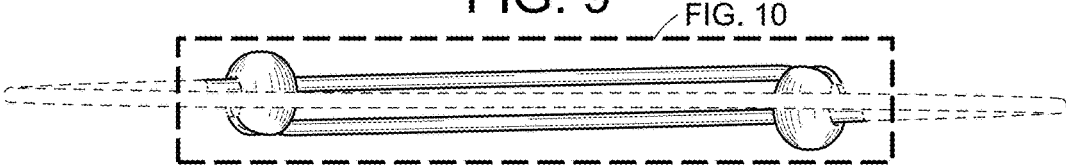
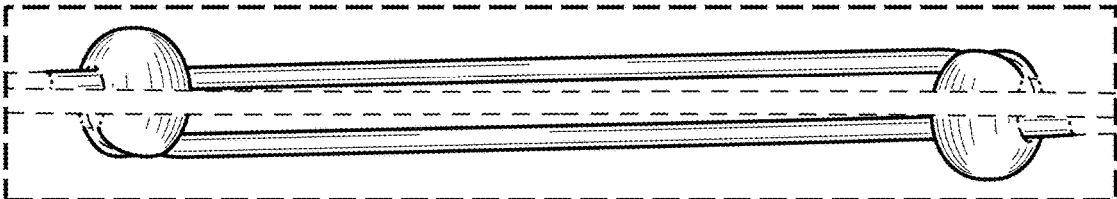


FIG. 10



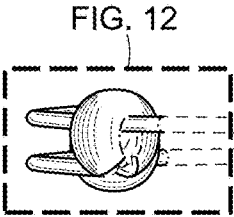


FIG. 11

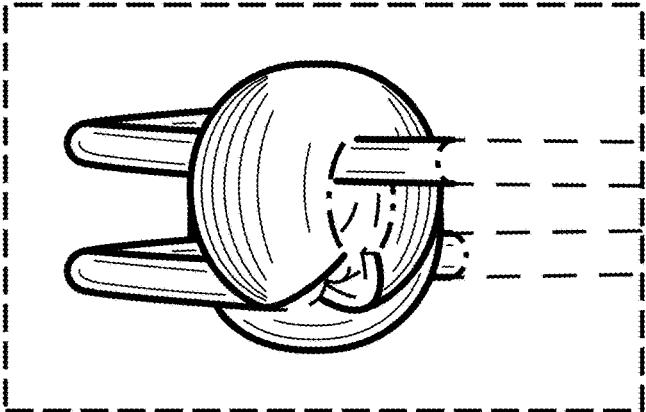


FIG. 13

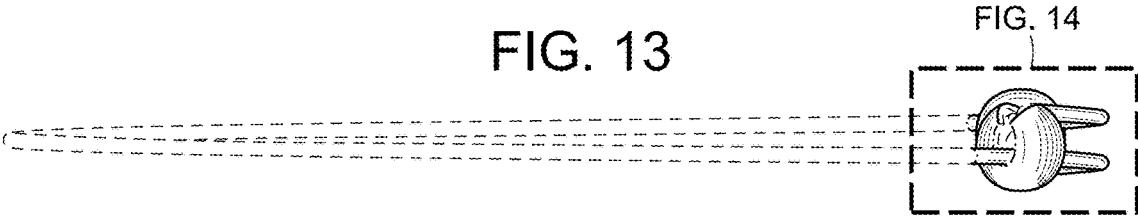


FIG. 14

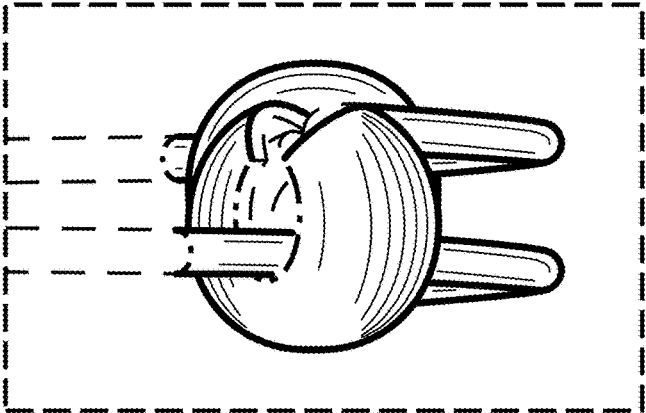


FIG. 15

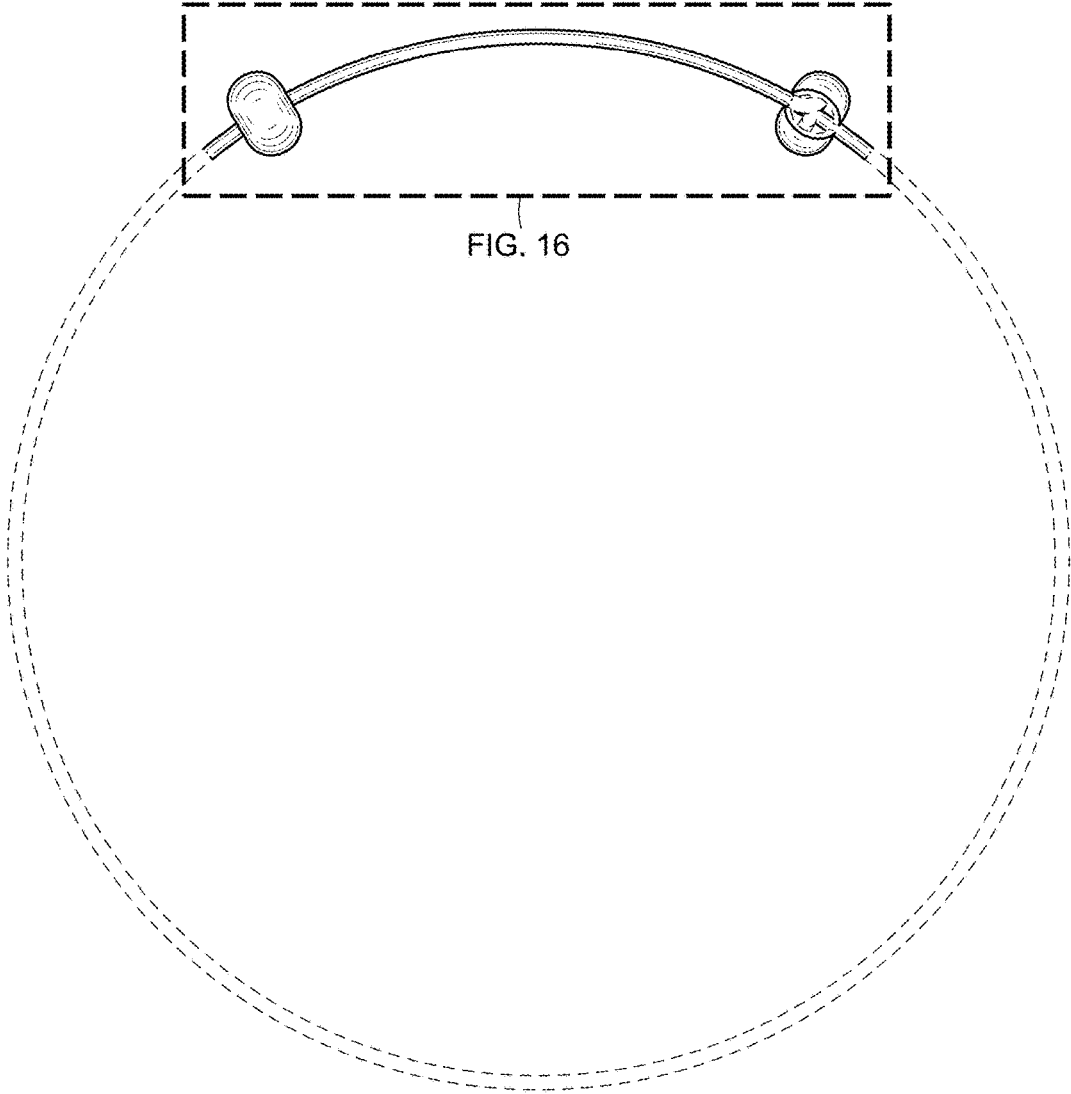


FIG. 16

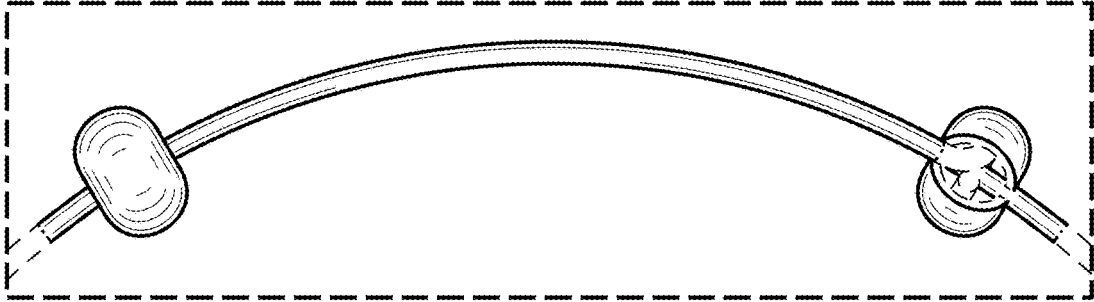


FIG. 16

FIG. 17

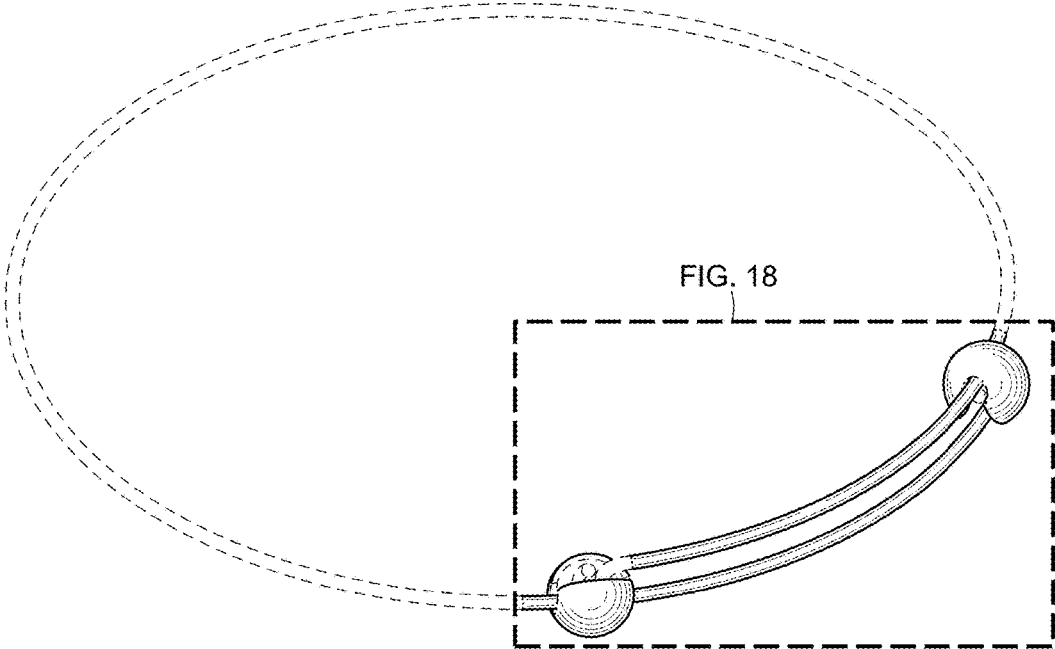


FIG. 18

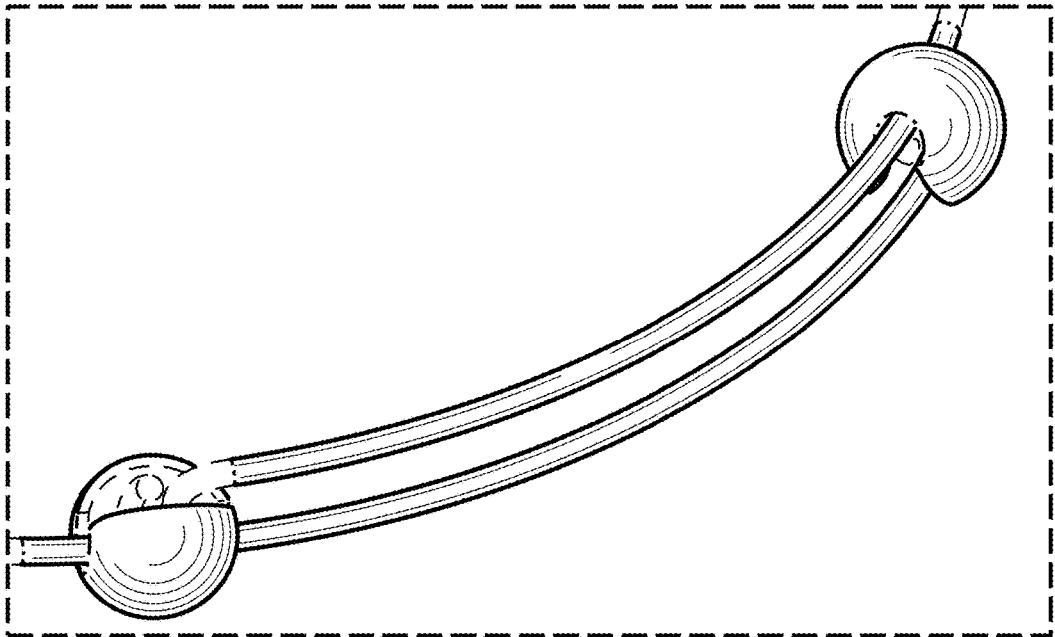


FIG. 19

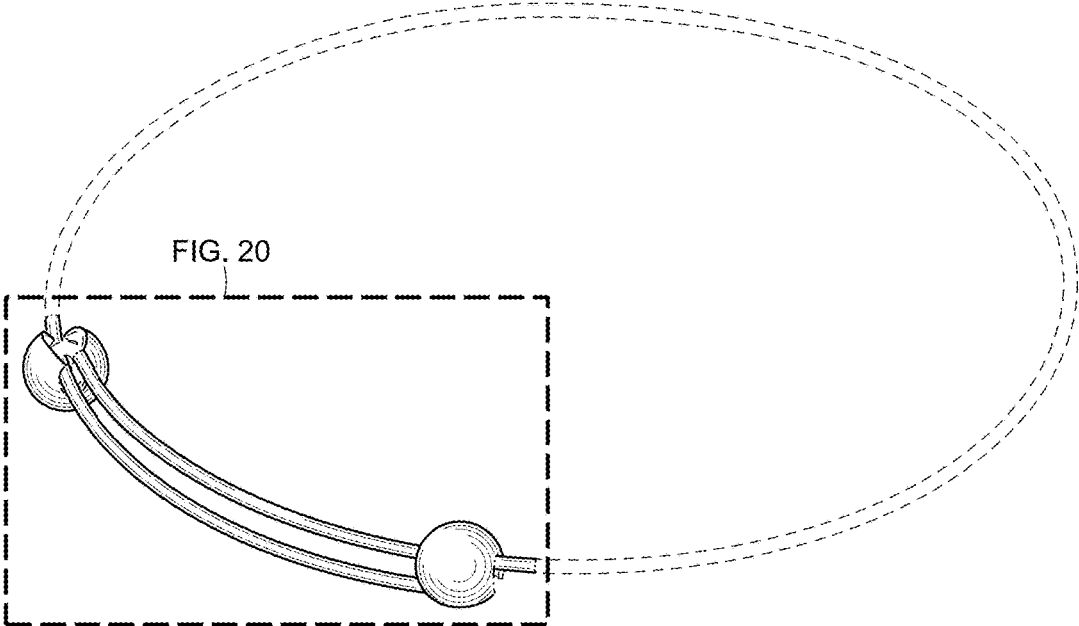


FIG. 20

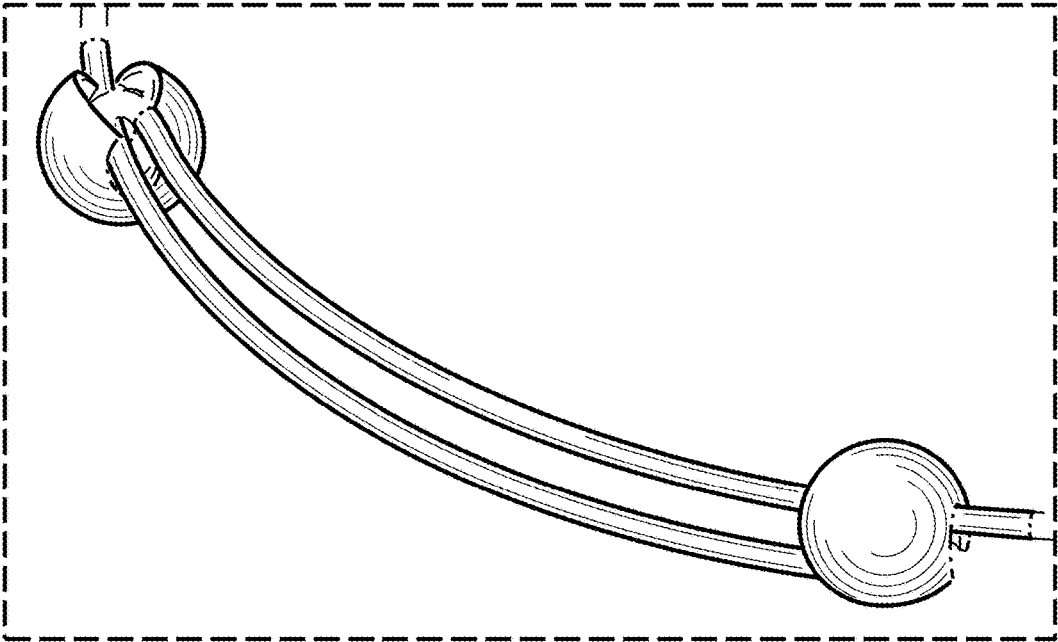


FIG. 21

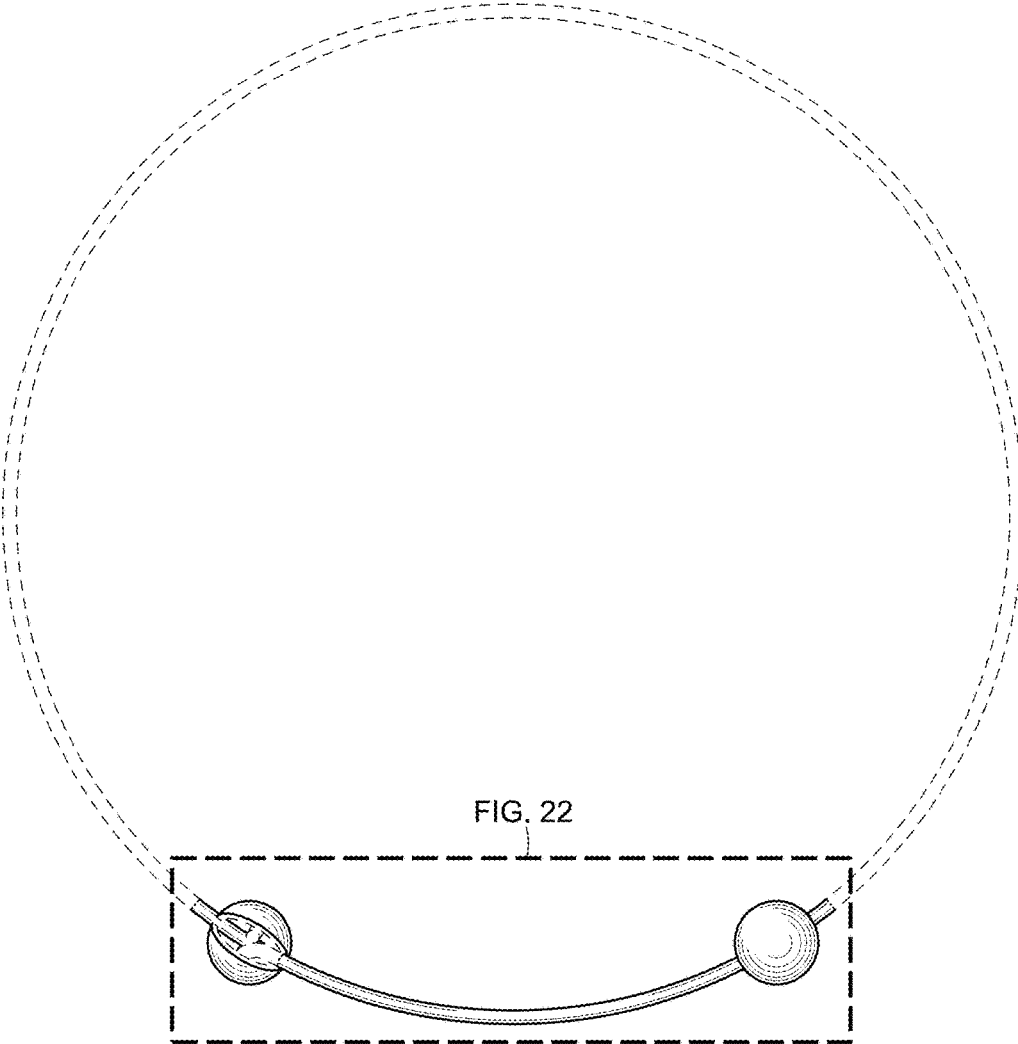


FIG. 22

FIG. 22



FIG. 23

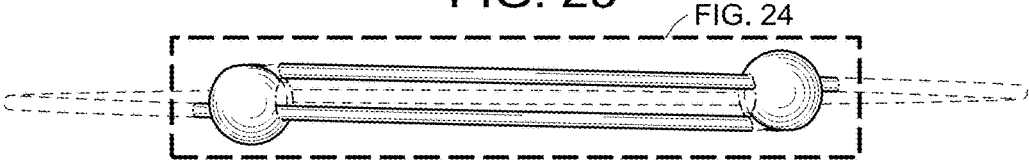


FIG. 24

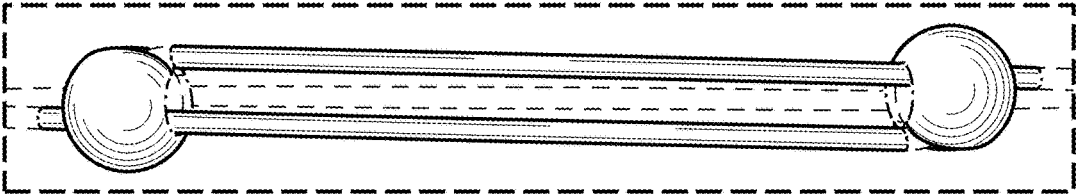


FIG. 25

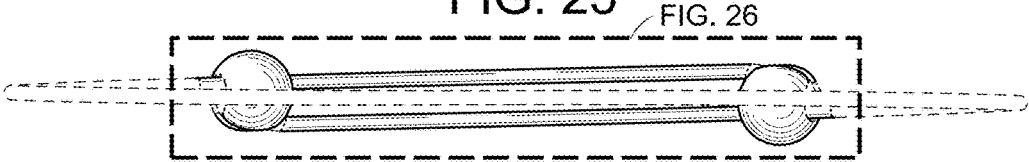


FIG. 26

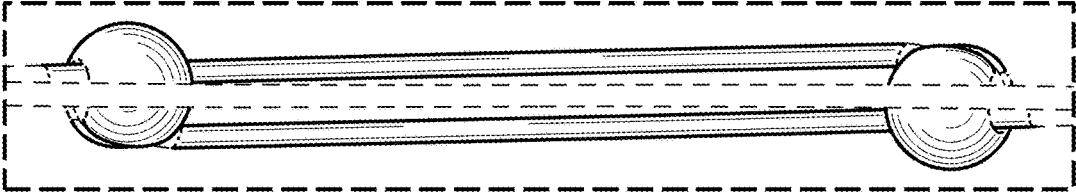


FIG. 28

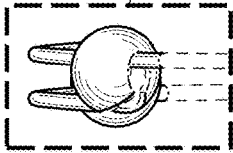


FIG. 27



FIG. 28

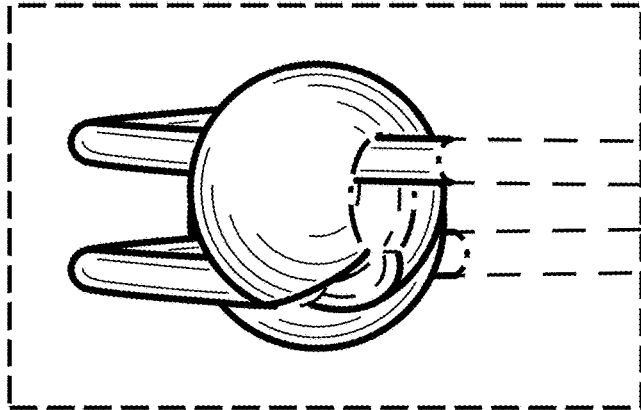


FIG. 29



FIG. 30

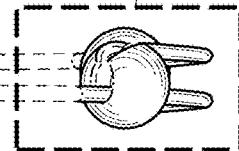


FIG. 30

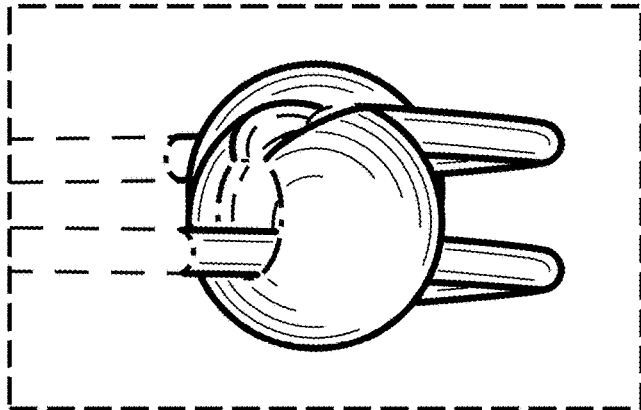


FIG. 31

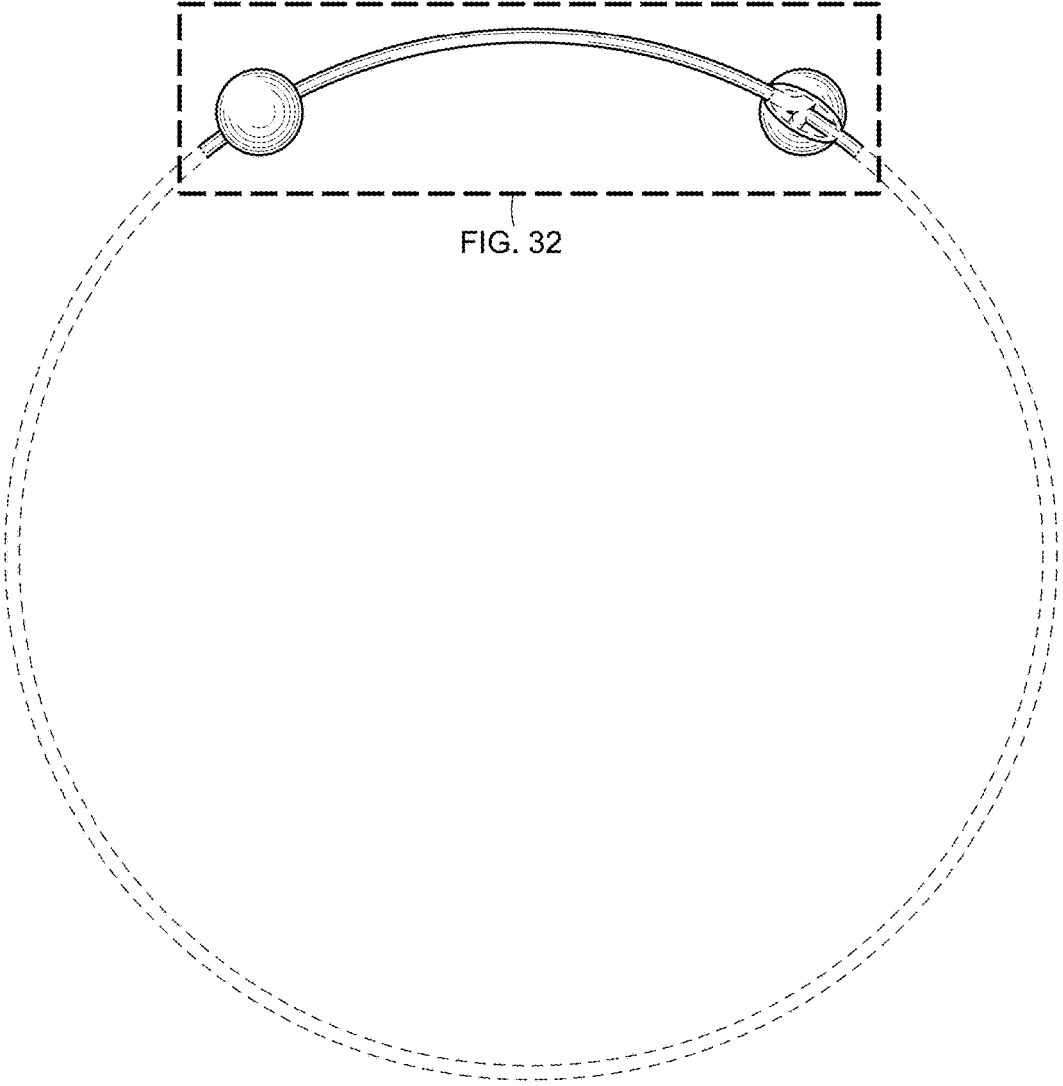


FIG. 32

