



US00D325776S

United States Patent [19]

[11] Patent Number: **Des. 325,776**

Scotfield et al.

[45] Date of Patent: **** Apr. 28, 1992**

[54] COMBINED CEILING FAN AND LIGHT

[75] Inventors: **Robert L. Scotfield**, Cordova, Tenn.; **Stephen R. Burns**, Duluth, Ga.; **Roy Nicholson**, Hickory, N.C.

[73] Assignee: **Hunter Fan Company**, Memphis, Tenn.

[**] Term: **14 Years**

[21] Appl. No.: **497,334**

[22] Filed: **Mar. 22, 1990**

[52] U.S. Cl. **D23/377; D26/85**

[58] Field of Search **D23/377, 379, 385, 411, D23/413; D26/72, 82, 85, 87; 416/5; 362/96, 253**

[56] References Cited

U.S. PATENT DOCUMENTS

D. 82,179	9/1930	Ringwald	416/206
D. 270,942	10/1983	McCain	D23/379
D. 295,555	5/1988	Greenberg	D23/377
D. 298,454	11/1988	Clyde-Mason	D23/385
D. 310,561	9/1990	Janicz	D23/377
4,808,071	2/1989	Chau	416/5

FOREIGN PATENT DOCUMENTS

785554	of 1970	U.S.S.R.	416/5
--------	---------	----------	-------

OTHER PUBLICATIONS

Home Lighting & Accessories, Dec. '85, p. 47, Contemporary Superfan, top of page.

Winnower Fan Co. Inc. Cat., p. 2, Grande Colour Fan, top of page.

Casablanca Fan Co. Cat., p. 11, Ceiling Fan Model 4464, upper left side of page.

Casablanca Fan Co. Ad, p. 2, Ceiling Fans Model 220N16T, Model 220211T, Model 220716T, left side of page.

Casablanca Fan Co. Cat., p. 2, Ceiling Fan (A), top right side of page.

Primary Examiner—James M. Gandy

Assistant Examiner—Lisa Lichtenstein

Attorney, Agent, or Firm—Heiskell, Donelson, Bearman, Adams, Williams & Kirsch

[57] CLAIM

The ornamental design for a combined ceiling fan and light, as shown and described.

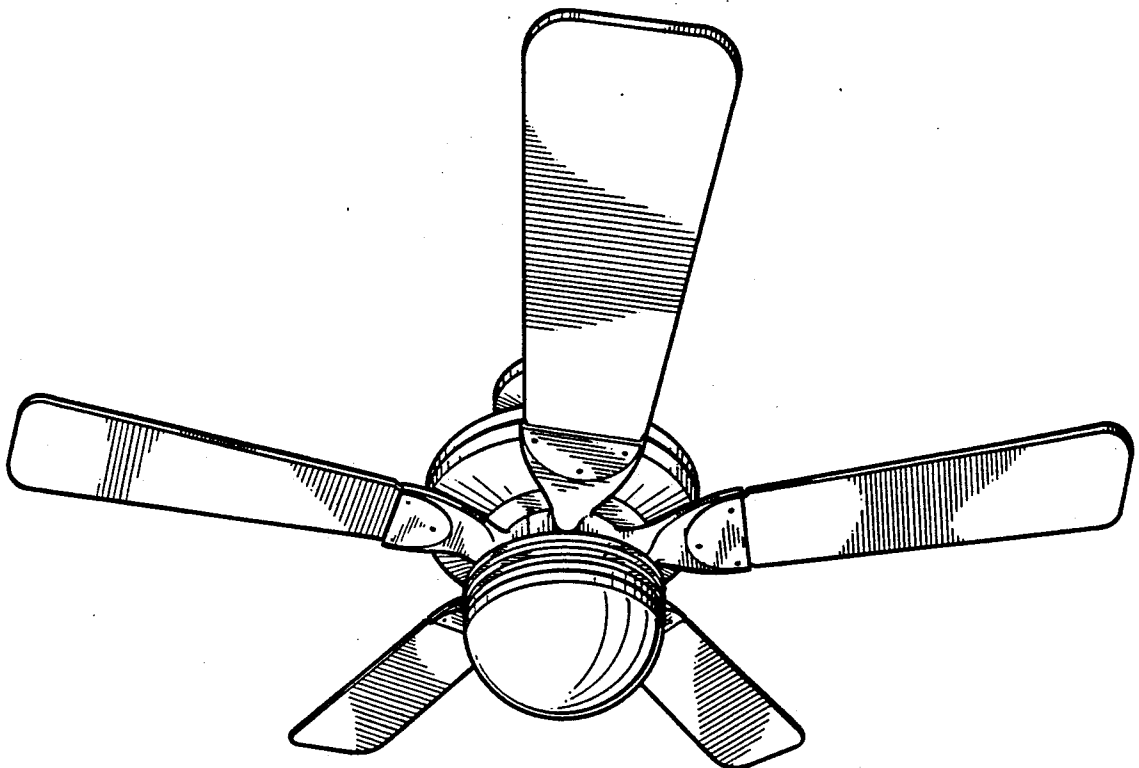
DESCRIPTION

FIG. 1 is a bottom perspective view of a combined ceiling fan and light showing our new design;

FIG. 2 is a side elevation view thereof, the opposite side being a mirror image of that shown;

FIG. 3 is a bottom plan view thereof; and,

FIG. 4 is a top plan view thereof.



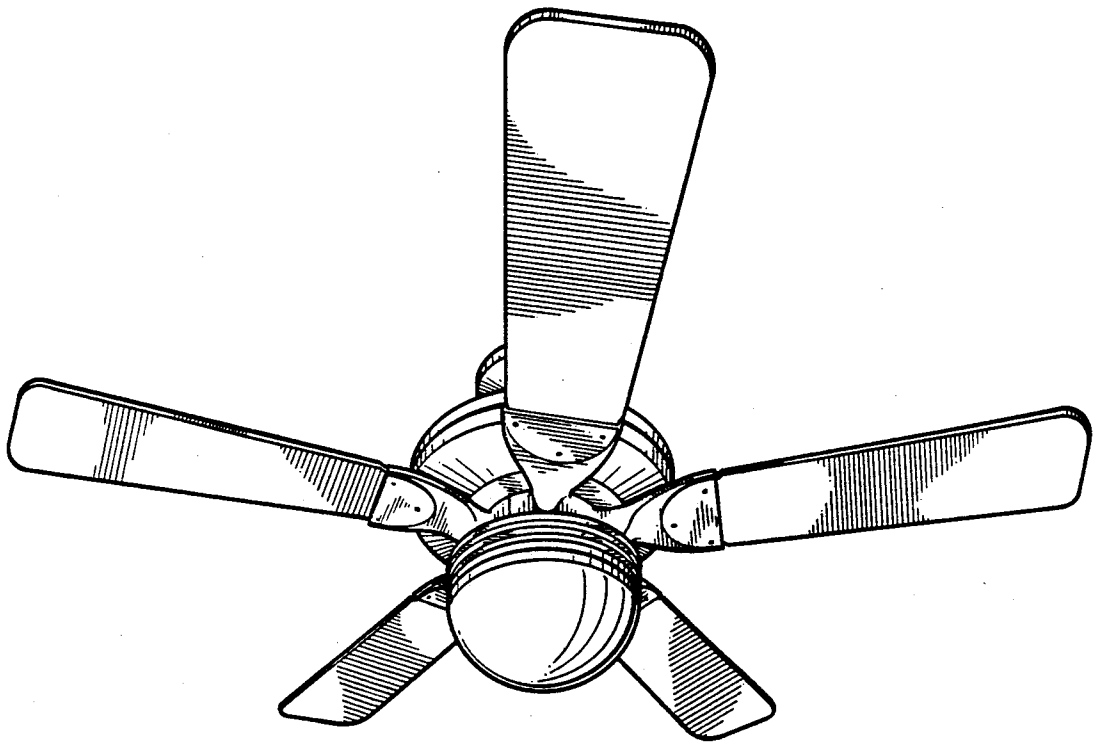


FIG. 1

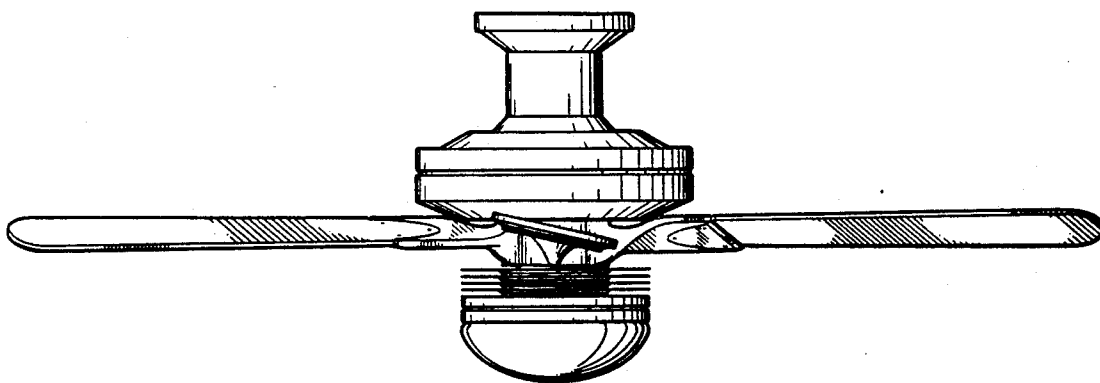


FIG. 2

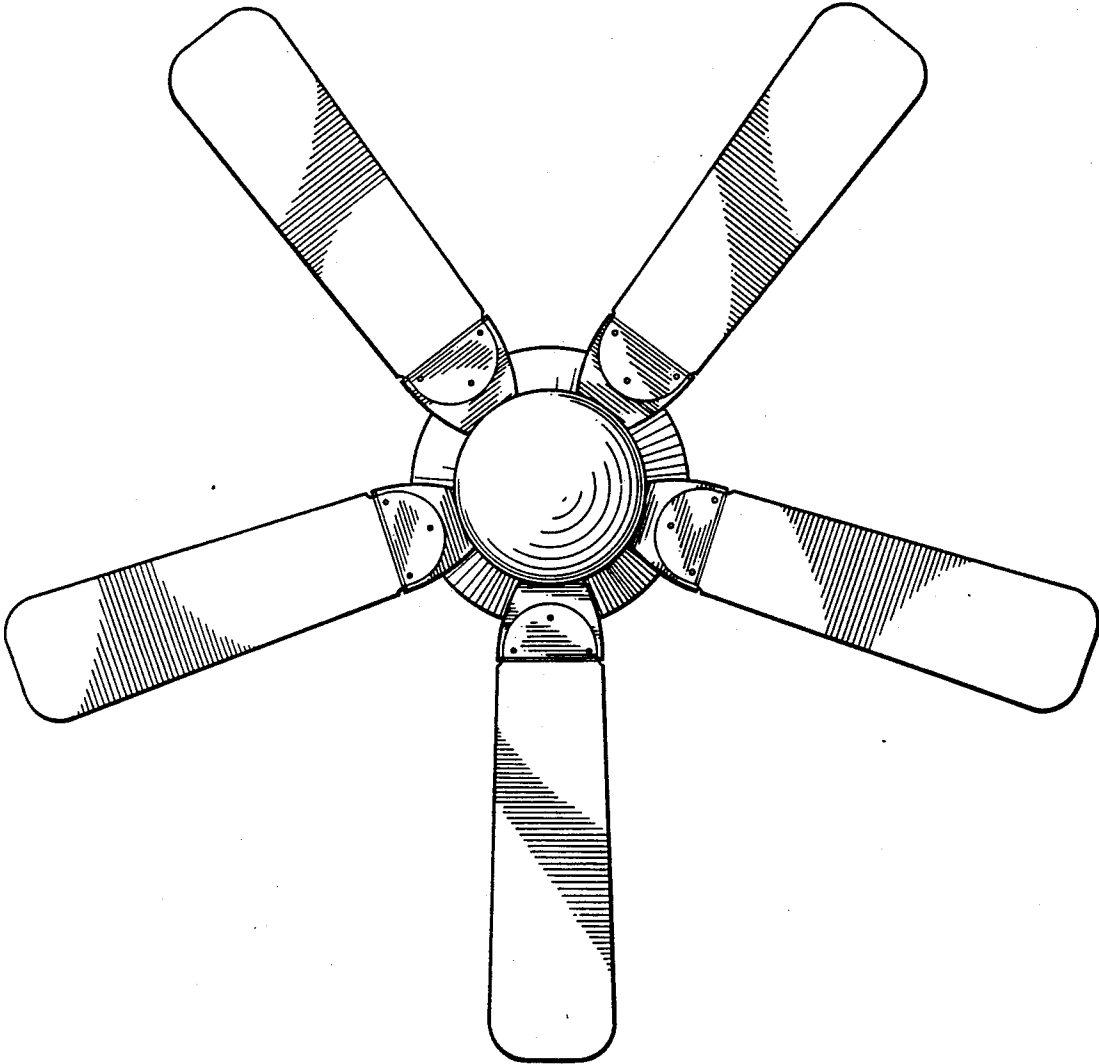


FIG. 3

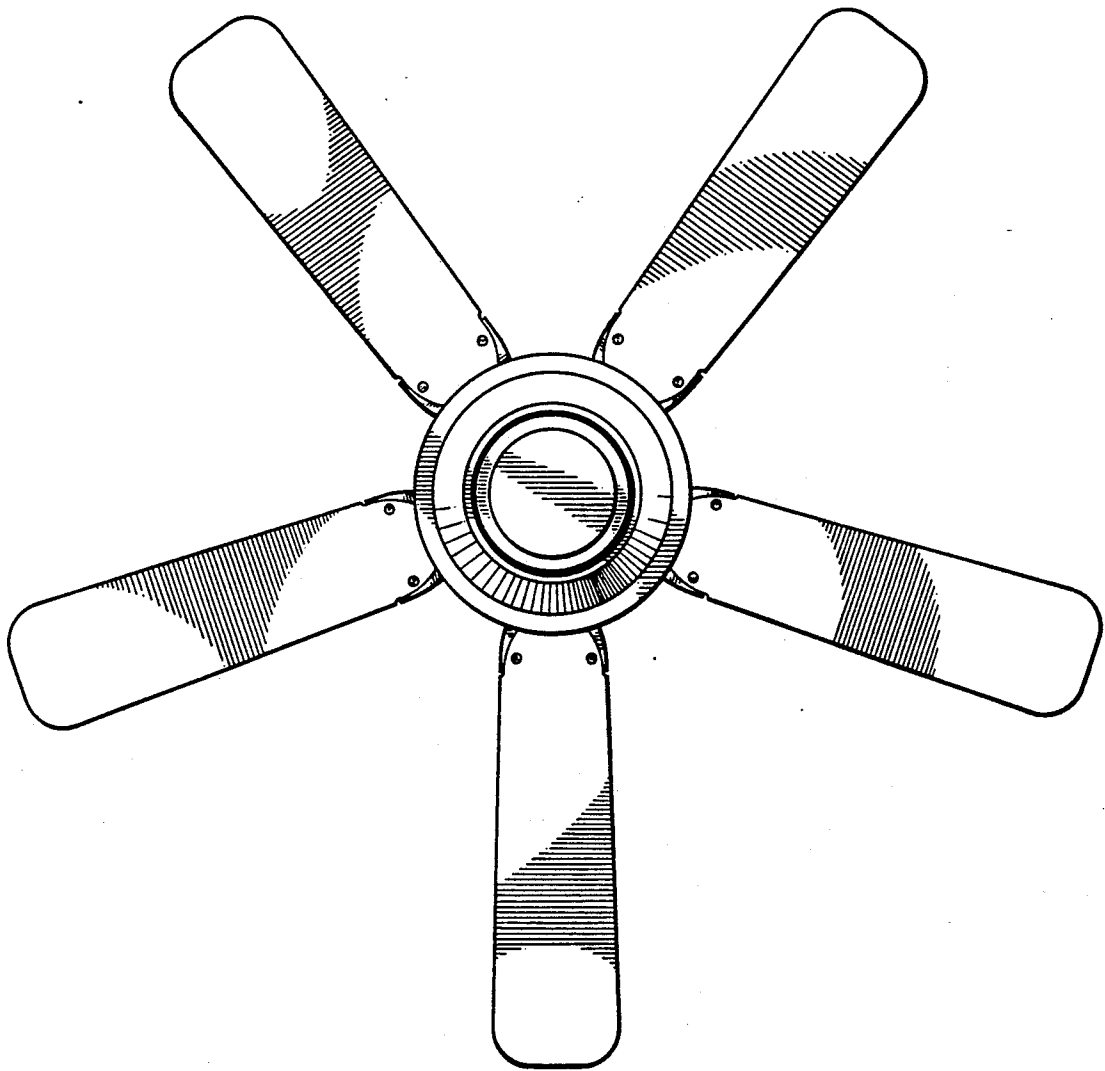


FIG. 4