



US00D710533S

(12) **United States Design Patent**  
**Fletcher et al.**

(10) **Patent No.:** **US D710,533 S**

(45) **Date of Patent:** **\*\* Aug. 5, 2014**

(54) **LIGHT FIXTURE**

(71) Applicant: **Phoenix Products Company, Inc.**,  
Milwaukee, WI (US)

(72) Inventors: **Robert Kenneth Yasuji Fletcher**,  
Racine, WI (US); **Scott P. Malmsten**,  
Shorewood, WI (US)

(73) Assignee: **Phoenix Products Company, Inc.**,  
Milwaukee, WI (US)

(\*\*) Term: **14 Years**

(21) Appl. No.: **29/487,340**

(22) Filed: **Apr. 8, 2014**

(51) **LOC (10) Cl.** ..... **26-99**

(52) **U.S. Cl.**  
USPC ..... **D26/118**

(58) **Field of Classification Search**  
USPC ..... D26/118, 119, 120, 64, 65, 72, 124,  
D26/125, 138, 128, 132, 84, 85, 86, 87, 69,  
D26/62, 1, 2, 113, 123, 134, 135, 89, 90, 24,  
D26/145, 142, 74, 63, 88; 362/147, 364,  
362/362, 365, 294, 249.03, 249.02, 282,  
362/275, 190, 341, 249.01, 241; D13/179,  
D13/180, 182

See application file for complete search history.

(56) **References Cited**

**U.S. PATENT DOCUMENTS**

D464,965 S \* 10/2002 Wang et al. .... D14/358  
D578,969 S \* 10/2008 Kobayakawa ..... D13/180  
D581,885 S \* 12/2008 Ogata et al. .... D13/180  
D610,733 S \* 2/2010 Chang ..... D26/71  
D616,590 S \* 5/2010 Huang et al. .... D26/63

D624,031 S \* 9/2010 Takeuchi et al. .... D13/180  
D626,264 S \* 10/2010 Liu ..... D26/61  
D630,785 S \* 1/2011 Kim et al. .... D26/63  
D640,207 S \* 6/2011 Huss et al. .... D13/154  
D645,424 S \* 9/2011 Lee et al. .... D13/180  
D649,119 S \* 11/2011 Huss et al. .... D13/147  
D654,032 S \* 2/2012 Yu et al. .... D13/180  
D665,365 S \* 8/2012 Lee et al. .... D13/180  
D666,348 S \* 8/2012 Wang ..... D26/71  
D679,666 S \* 4/2013 Hsu et al. .... D13/180  
D683,061 S \* 5/2013 Ham ..... D26/71  
D693,507 S \* 11/2013 Fletcher et al. .... D26/63  
D693,508 S \* 11/2013 Fletcher et al. .... D26/63  
D694,935 S \* 12/2013 Zheng et al. .... D26/71  
D700,726 S \* 3/2014 Kim et al. .... D26/63  
2009/0244894 A1 \* 10/2009 Zhou et al. .... 362/249.02

\* cited by examiner

*Primary Examiner* — Kevin Rudzinski

(74) *Attorney, Agent, or Firm* — Whyte Hirschboeck Dudek S.C.

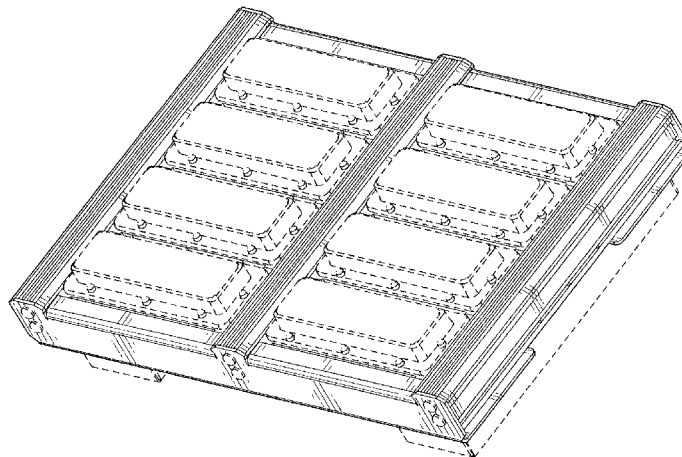
(57) **CLAIM**

The ornamental design for a light fixture, as shown and described.

**DESCRIPTION**

FIG. 1 is a front perspective view of an embodiment of a light fixture;  
FIG. 2 is a back perspective view thereof;  
FIG. 3 is a front elevation view thereof;  
FIG. 4 is a back elevation view thereof;  
FIG. 5 is a top plan view thereof;  
FIG. 6 is a bottom plan view thereof;  
FIG. 7 is a left side elevation view thereof; and,  
FIG. 8 is a right side elevation view thereof.  
The broken lines of FIGS. 1-8 illustrate portions of the light fixture that form no part of the claimed design.

**1 Claim, 5 Drawing Sheets**



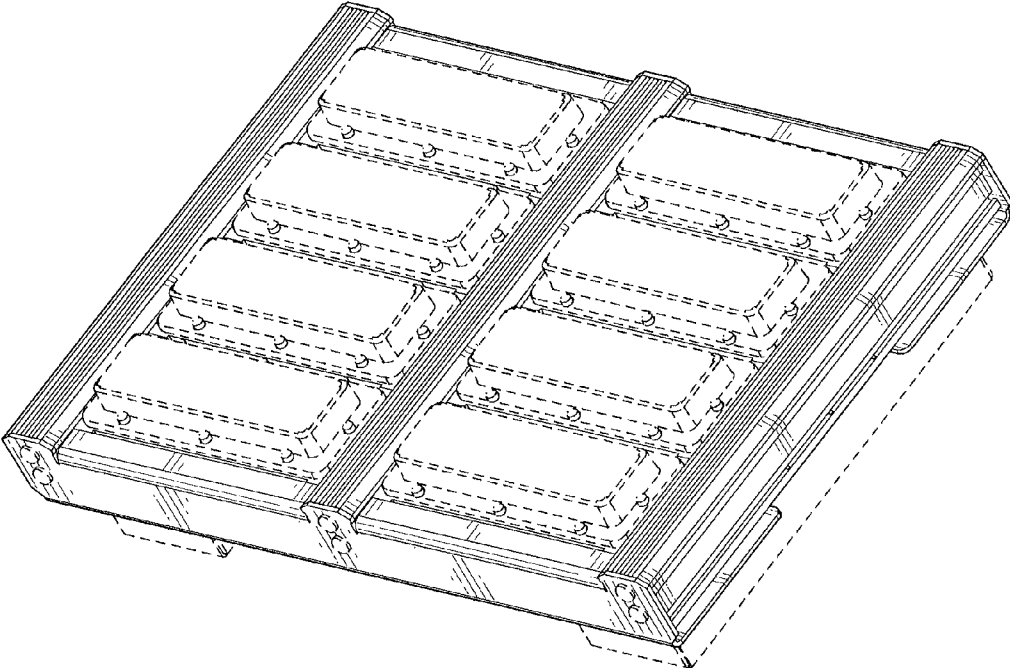


FIG. 1

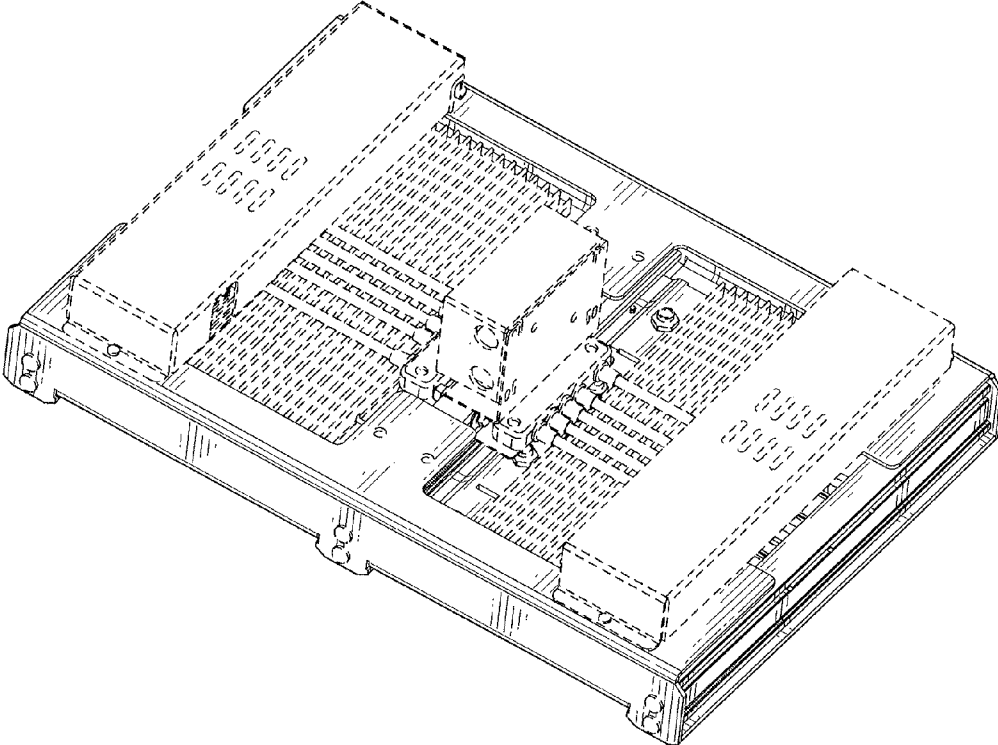


FIG. 2

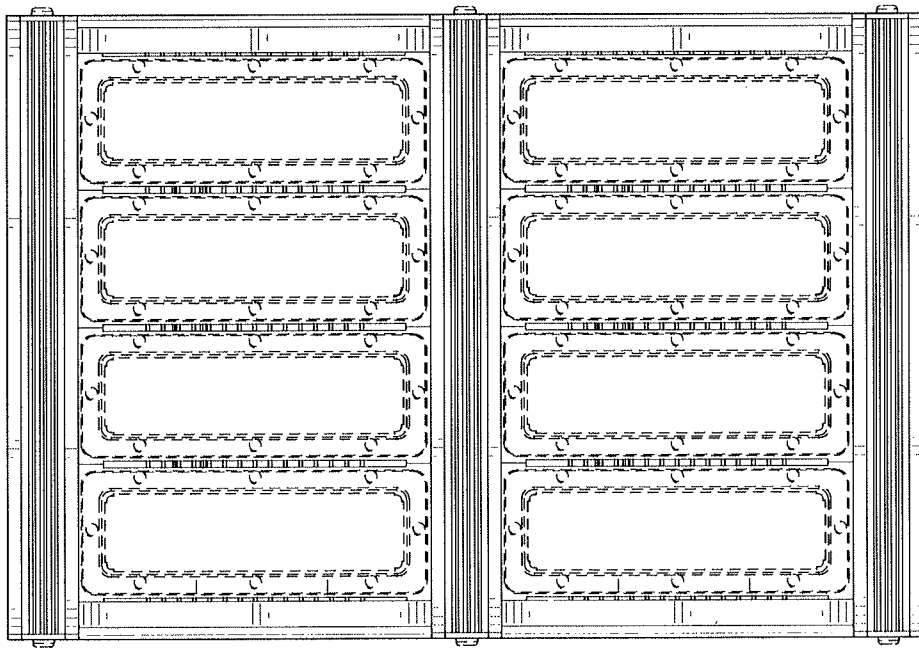


FIG. 3

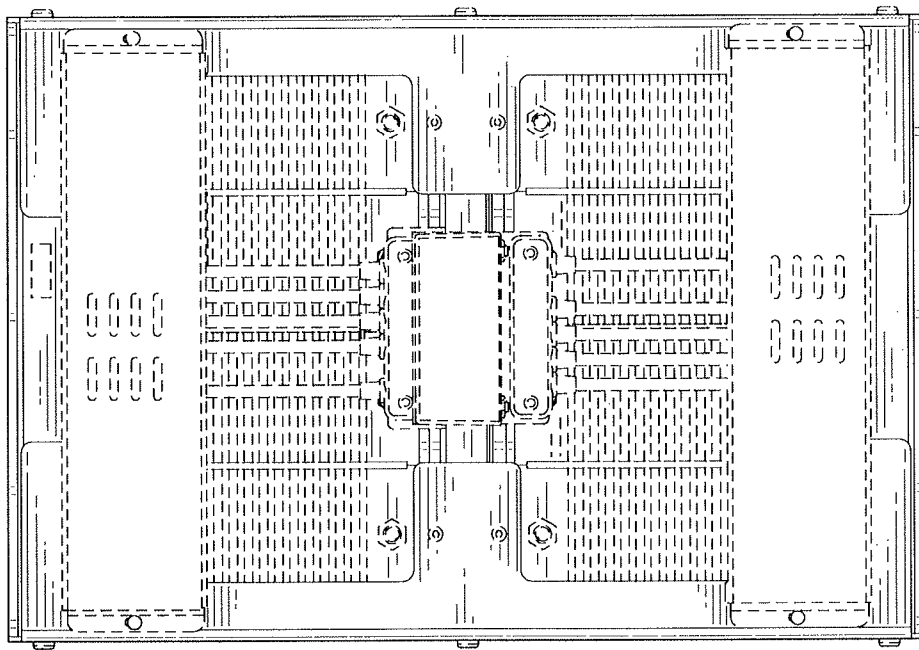


FIG. 4

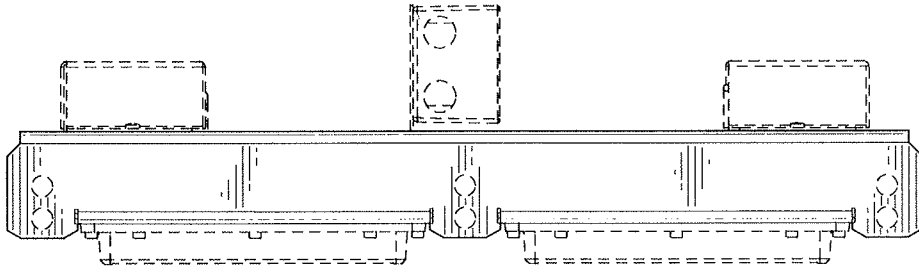


FIG. 5

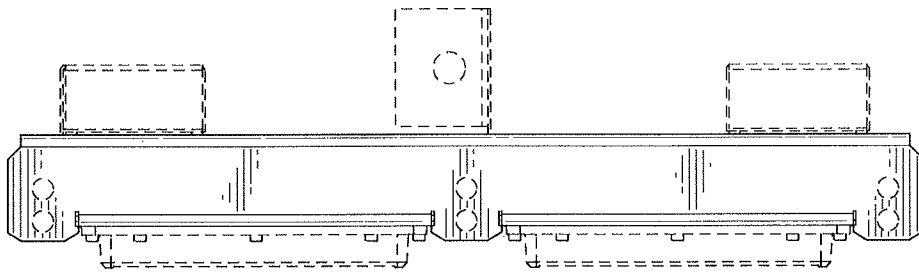


FIG. 6

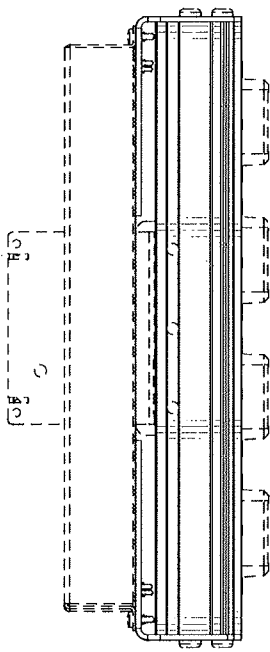


FIG. 7

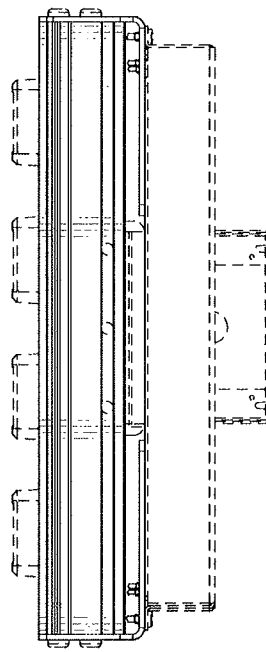


FIG. 8