



(12) **United States Design Patent**  
**Chen**

(10) **Patent No.:** **US D920,293 S**  
(45) **Date of Patent:** **\*\* May 25, 2021**

(54) **WIRELESS EARPHONE**  
(71) Applicant: **SHENZHEN SIXPIPES TECHNOLOGY CO., LTD**, Shenzhen (CN)  
(72) Inventor: **Guohua Chen**, Shenzhen (CN)  
(73) Assignee: **SHENZHEN SIXPIPES TECHNOLOGY CO., LTD**, Shenzhen (CN)

9,042,588 B2 \* 5/2015 Aase ..... H04R 1/1041 381/380  
D733,101 S \* 6/2015 Pi ..... D14/223  
D735,699 S \* 8/2015 Yasuda ..... D14/223  
D742,860 S \* 11/2015 Miyake ..... D14/223  
D746,792 S \* 1/2016 Kim ..... D14/205  
D757,682 S \* 5/2016 Perez ..... D14/205  
D762,196 S \* 7/2016 Hsieh ..... D14/223  
D762,616 S \* 8/2016 Hsieh ..... D14/205  
D773,435 S \* 12/2016 Ott ..... D14/205  
D775,108 S \* 12/2016 Hsieh ..... D14/223  
D784,298 S \* 4/2017 Ozawa ..... D14/223  
D784,962 S \* 4/2017 Yang ..... D14/223

(\*\*) Term: **15 Years**

(21) Appl. No.: **29/759,978**

(22) Filed: **Nov. 26, 2020**

(51) **LOC (13) Cl.** ..... **14-01**

(52) **U.S. Cl.**  
USPC ..... **D14/223**

(58) **Field of Classification Search**  
USPC ..... D14/223, 205; D24/174; 128/864, 865, 128/866; 381/380, 381, 322; 455/90.3, 455/575.1, 569.1  
CPC ..... H04R 1/10; H04R 25/00; H04R 1/1066; H04R 1/1016; H04R 5/033; H04R 5/0335; H04R 1/1091; H02J 7/00

See application file for complete search history.

(56) **References Cited**

**U.S. PATENT DOCUMENTS**

5,410,608 A \* 4/1995 Lucey ..... H04R 1/083 381/360  
8,712,087 B2 \* 4/2014 Ozawa ..... H04R 1/1016 381/380  
8,831,266 B1 \* 9/2014 Huang ..... H04R 1/2811 381/380  
D718,284 S \* 11/2014 Shibusawa ..... D14/223  
D718,286 S \* 11/2014 Yang ..... D14/223  
D719,548 S \* 12/2014 Thompson ..... D14/223

**FOREIGN PATENT DOCUMENTS**

EM 007471891-0001 \* 1/2020  
EM 008318232-0001 \* 12/2020

(Continued)

*Primary Examiner* — Paula Allen Greene

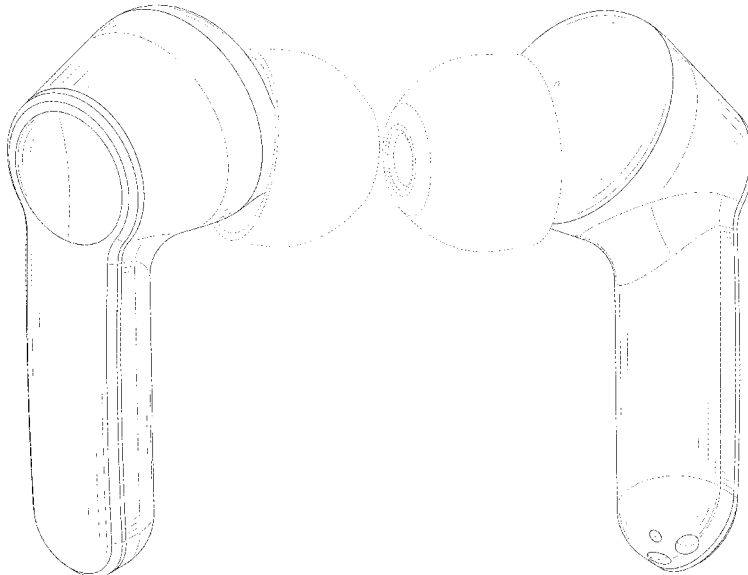
(57) **CLAIM**

The ornamental design for a wireless earphone, as shown and described.

**DESCRIPTION**

FIG. 1 is a perspective view of a wireless earphone showing my new design;  
FIG. 2 is another perspective view thereof;  
FIG. 3 is a front elevational view thereof;  
FIG. 4 is a rear elevational view thereof;  
FIG. 5 is a left side elevational view thereof;  
FIG. 6 is a right side elevational view thereof;  
FIG. 7 is a top plan view thereof;  
FIG. 8 is a bottom plan view thereof; and,  
FIG. 9 is a perspective view of the wireless earphone where the wireless earphone is received in a charging case.  
The broken lines in the drawings depict portions of the wireless earphone that form no part of the claimed design.

**1 Claim, 9 Drawing Sheets**



(56)

References Cited

U.S. PATENT DOCUMENTS

D800,097 S 10/2017 Chen ..... D14/223  
 D801,314 S \* 10/2017 Akana ..... D14/223  
 D802,562 S \* 11/2017 Baba ..... D14/223  
 D803,184 S \* 11/2017 Loh Jun Kern ..... D14/205  
 D813,844 S \* 3/2018 Stiff ..... D14/223  
 D820,809 S \* 6/2018 Akana ..... D14/205  
 D822,009 S \* 7/2018 Matoba ..... D14/223  
 D829,193 S \* 9/2018 Cai ..... D14/223  
 D830,336 S \* 10/2018 Cai ..... D14/205  
 D830,345 S \* 10/2018 Cai ..... D14/223  
 D831,619 S \* 10/2018 Matoba ..... D14/223  
 D832,823 S \* 11/2018 Xiao ..... D14/223  
 D847,125 S \* 4/2019 Akana ..... D14/223  
 D847,794 S \* 5/2019 Guo ..... D14/223  
 D848,980 S \* 5/2019 Kim ..... D14/223  
 D848,982 S \* 5/2019 Kim ..... D14/223  
 D853,995 S \* 7/2019 Cai ..... D14/223  
 D861,647 S \* 10/2019 Chen ..... D14/223  
 D864,165 S \* 10/2019 Roberts ..... D14/223  
 D864,169 S \* 10/2019 Min ..... D14/223  
 D869,445 S \* 12/2019 Hu ..... D14/223  
 D871,376 S 12/2019 Zhou  
 D873,805 S 1/2020 Yang et al.  
 D877,722 S \* 3/2020 Yang ..... D14/223  
 D878,337 S \* 3/2020 Yang ..... D14/223  
 D883,260 S \* 5/2020 Hu ..... D14/223  
 D883,960 S \* 5/2020 Du ..... D14/223  
 D884,682 S \* 5/2020 Du ..... D14/223  
 D885,373 S \* 5/2020 Lundback ..... D14/223  
 D887,396 S \* 6/2020 Wang ..... D14/223

D888,690 S \* 6/2020 Yan ..... D14/223  
 D888,691 S \* 6/2020 Liu ..... D14/223  
 D889,437 S \* 7/2020 Ando ..... D14/223  
 D890,138 S \* 7/2020 Peng ..... D14/223  
 D890,724 S \* 7/2020 Li ..... D14/223  
 D893,462 S \* 8/2020 Liu ..... D14/223  
 D895,579 S \* 9/2020 Yang ..... D14/223  
 D895,582 S \* 9/2020 Wu ..... D14/223  
 D896,206 S \* 9/2020 Xu ..... D14/223  
 D896,207 S \* 9/2020 He ..... D14/223  
 D897,997 S \* 10/2020 Zhang ..... D14/223  
 D897,998 S \* 10/2020 Ma ..... D14/223  
 D903,639 S \* 12/2020 Yang ..... D14/223  
 D905,018 S \* 12/2020 Zhu ..... D14/223  
 D907,008 S \* 1/2021 Yao ..... D14/223  
 D910,600 S \* 2/2021 Zhang ..... D14/223  
 D911,315 S \* 2/2021 Hutchison ..... D14/223  
 D914,647 S \* 3/2021 Yang ..... D14/223  
 D914,648 S \* 3/2021 Zhou ..... D14/223  
 D914,649 S \* 3/2021 Chen ..... D14/223  
 D914,652 S \* 3/2021 Chen ..... D14/223  
 2017/0026738 A1 \* 1/2017 Tang ..... H04R 1/1091  
 2020/0068283 A1 \* 2/2020 Chou ..... H04R 1/1025  
 2020/0177986 A1 \* 6/2020 Wen ..... H04R 1/1083  
 2020/0314527 A1 \* 10/2020 Guo ..... H04R 1/1041  
 2021/0014603 A1 \* 1/2021 Wei ..... G06F 3/044

FOREIGN PATENT DOCUMENTS

EM 008320691-0001 \* 12/2020  
 EM 008450167-0002 \* 3/2021

\* cited by examiner

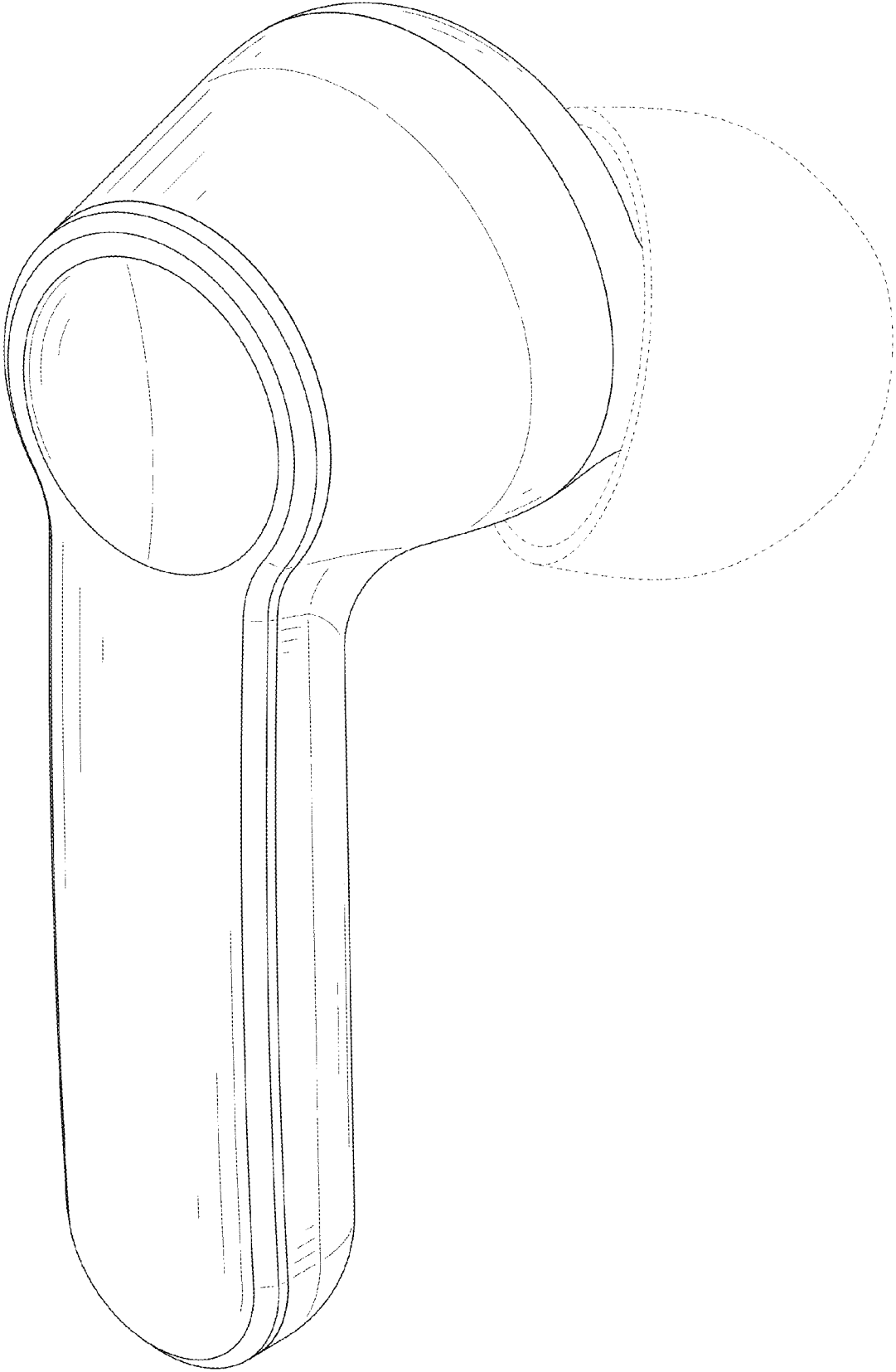


FIG. 1

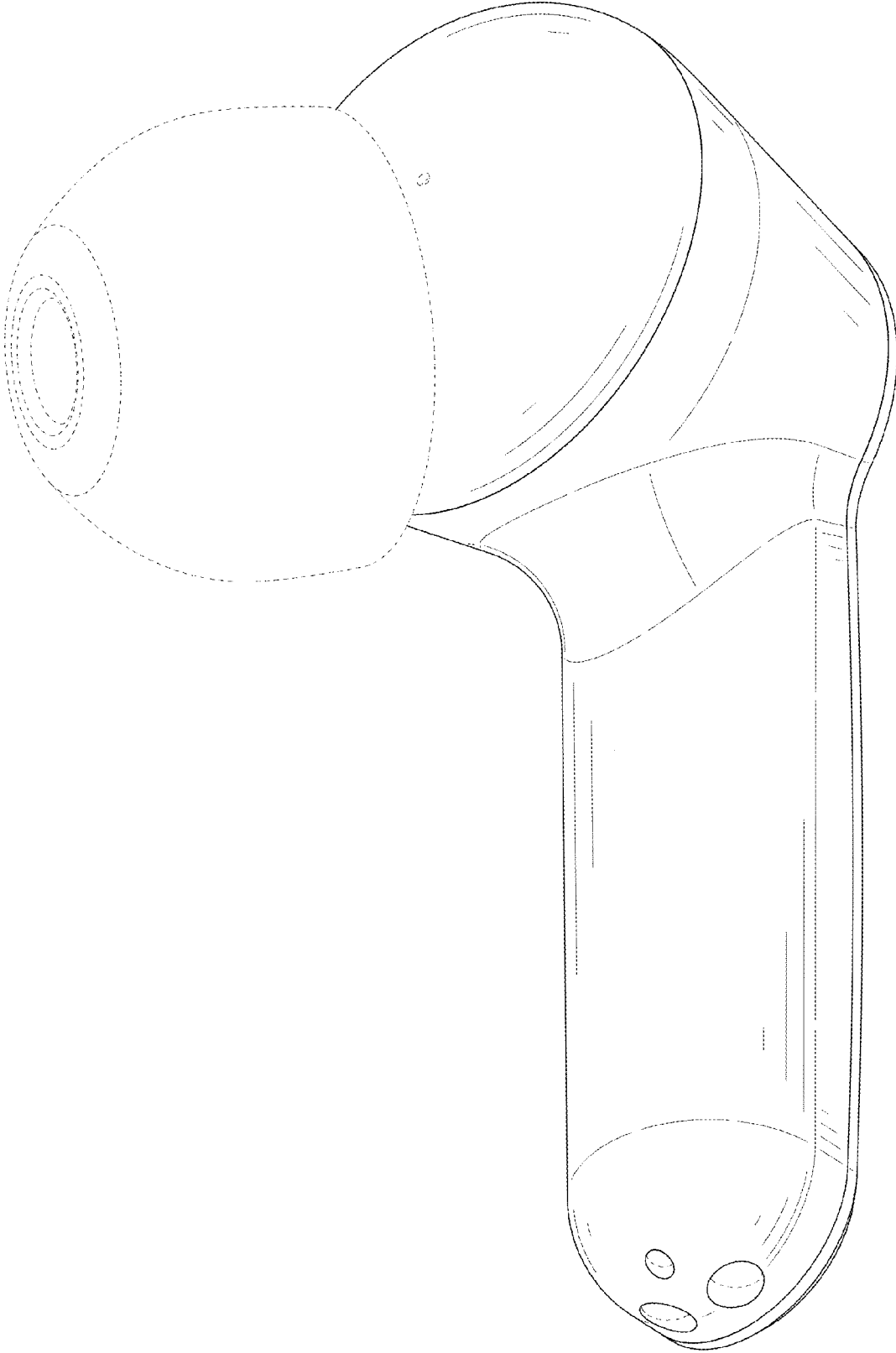


FIG. 2

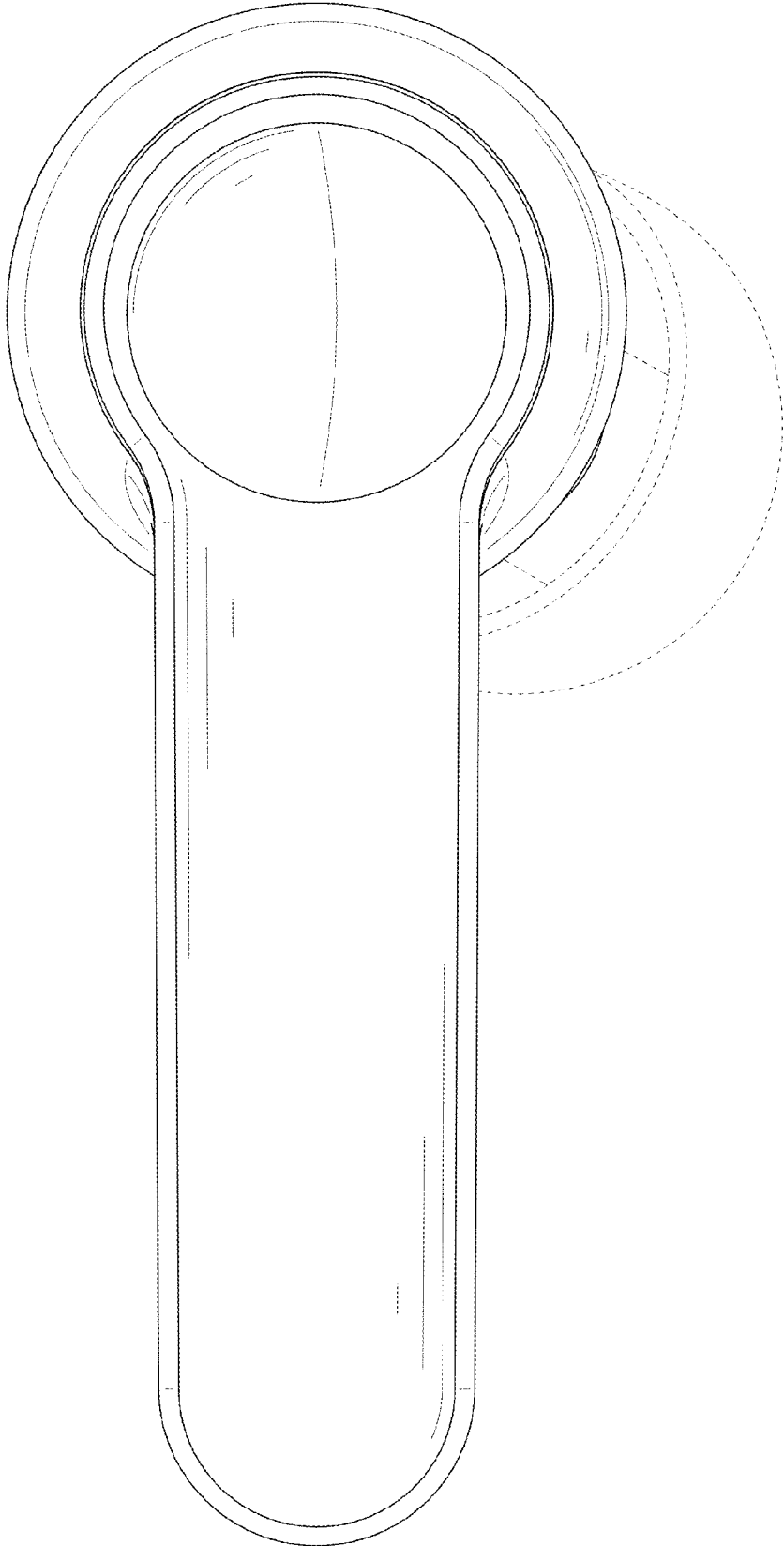


FIG. 3

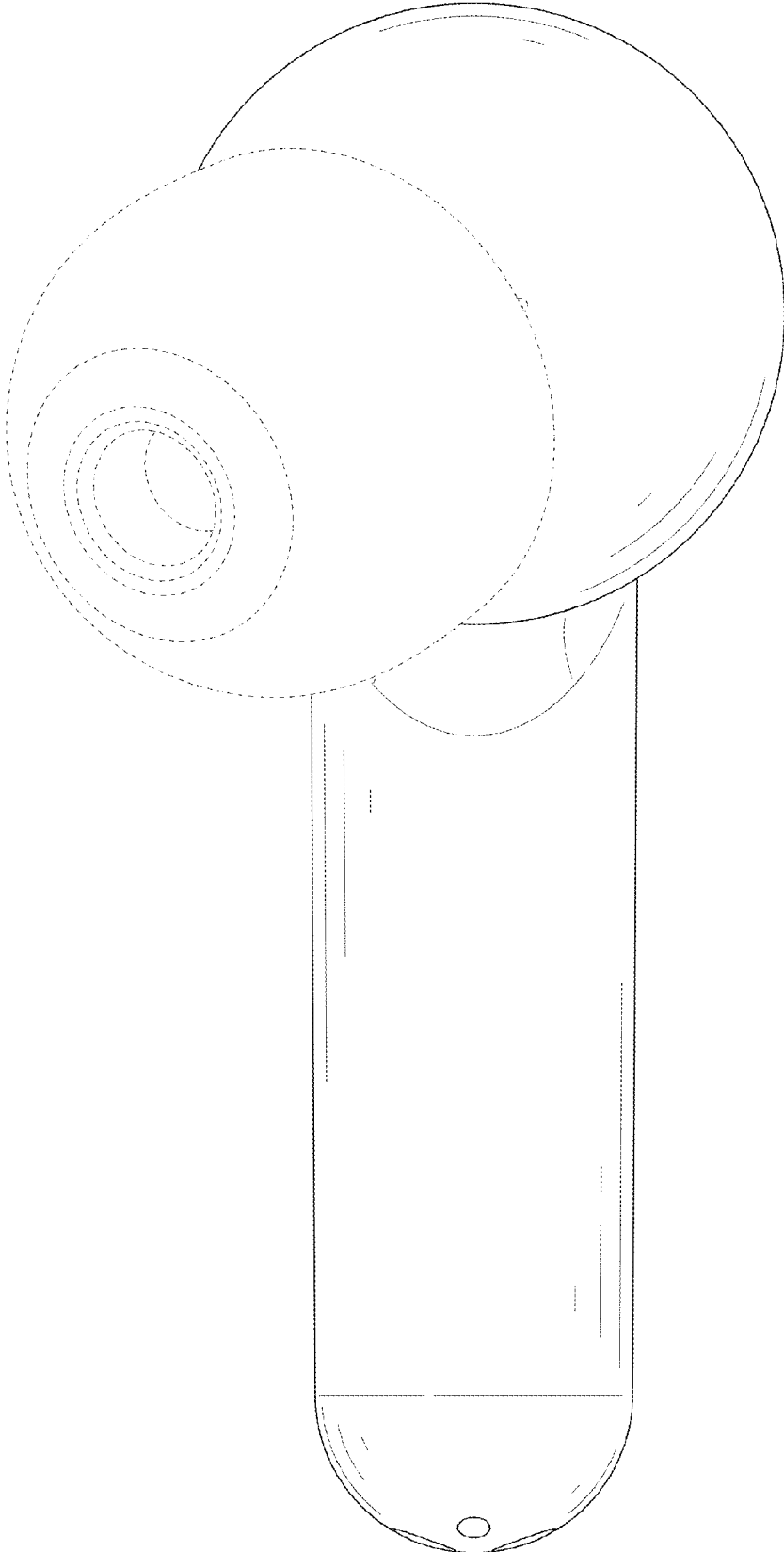


FIG. 4

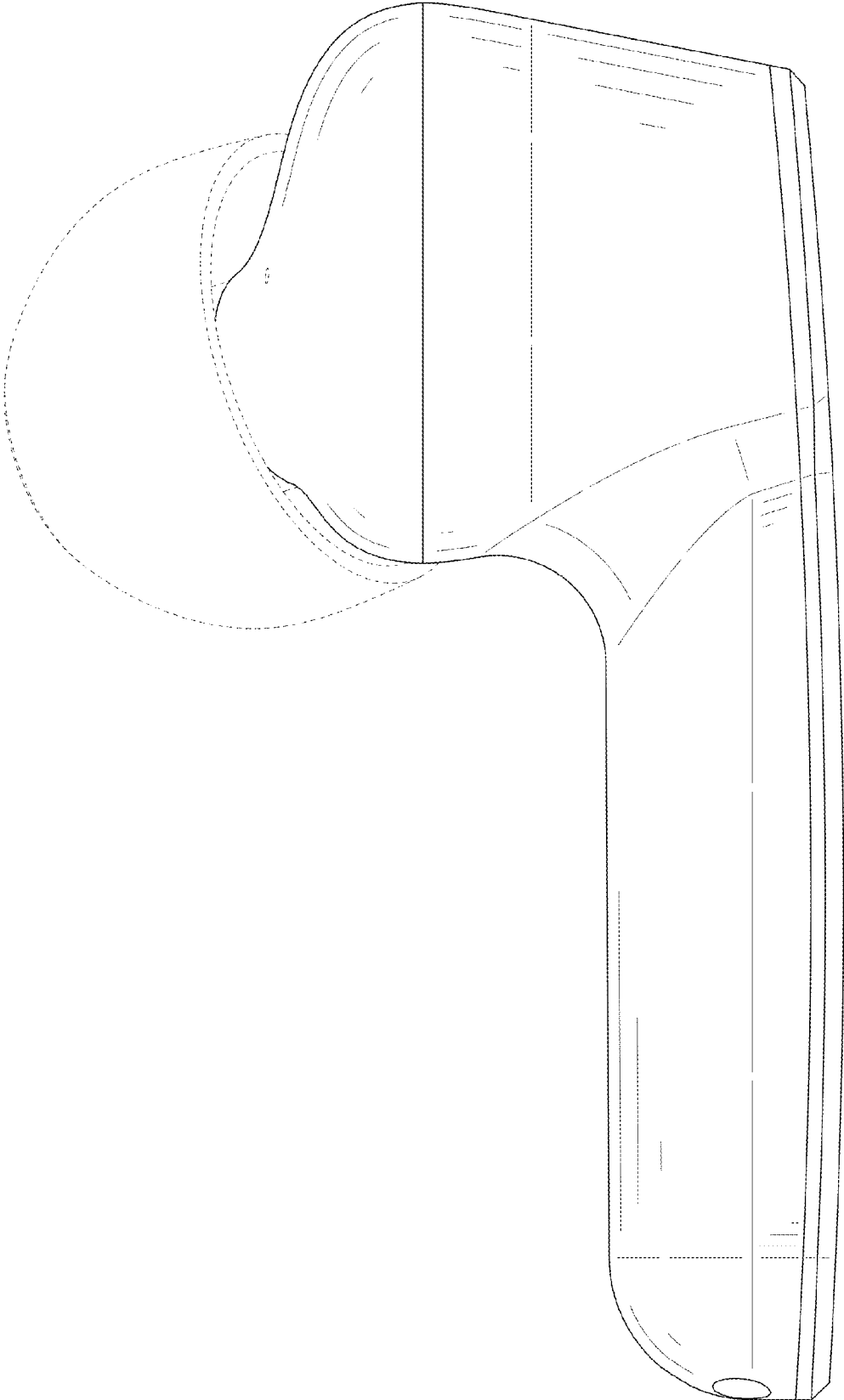


FIG. 5

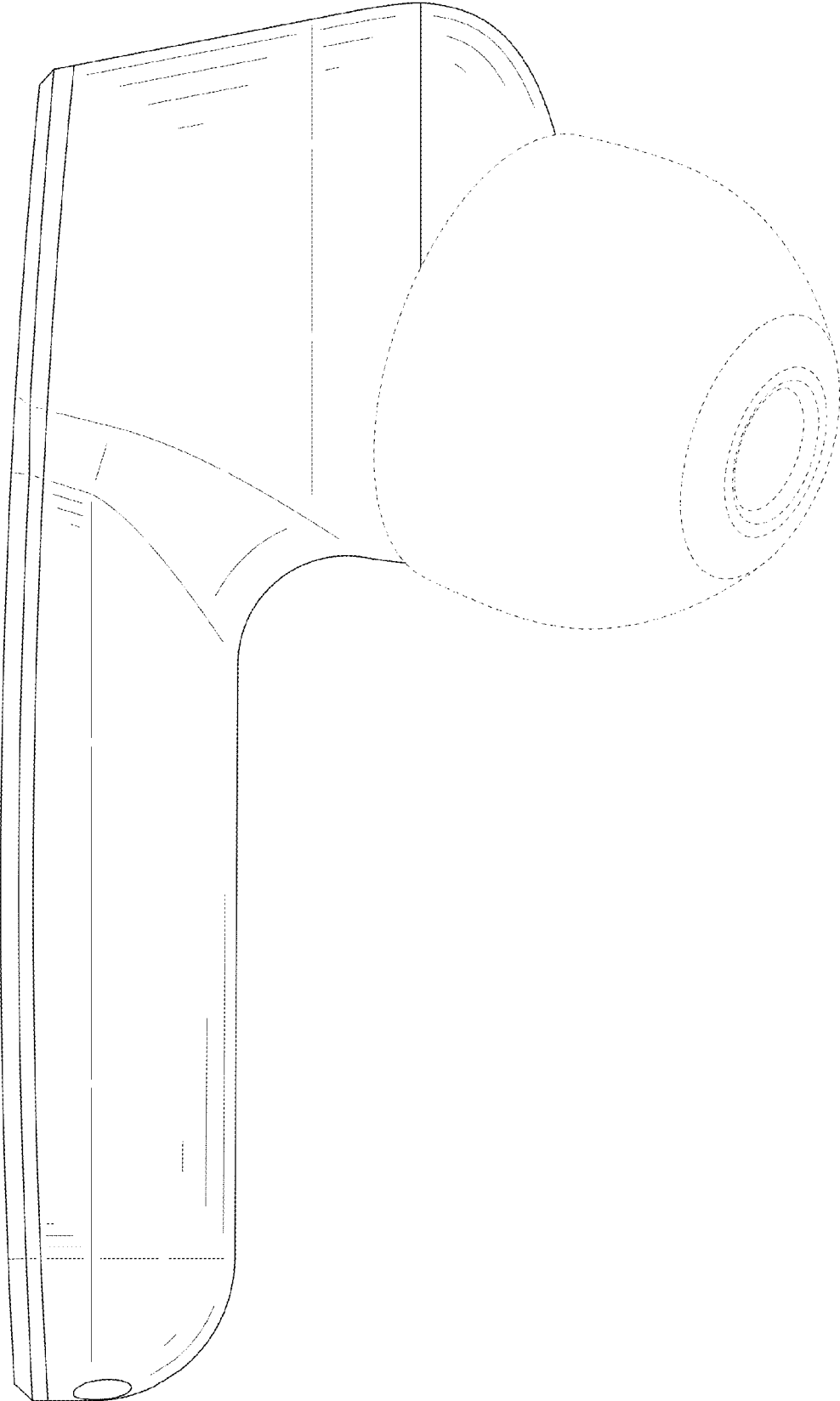


FIG. 6



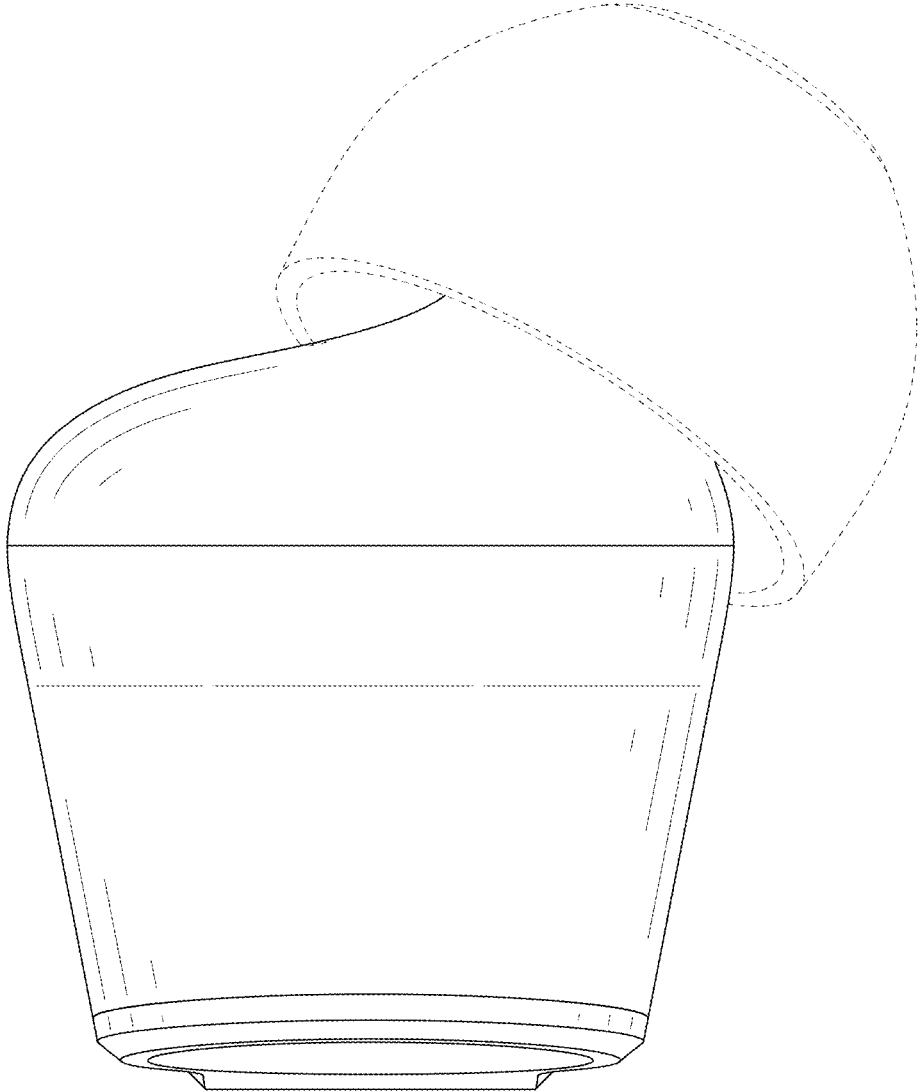


FIG. 7

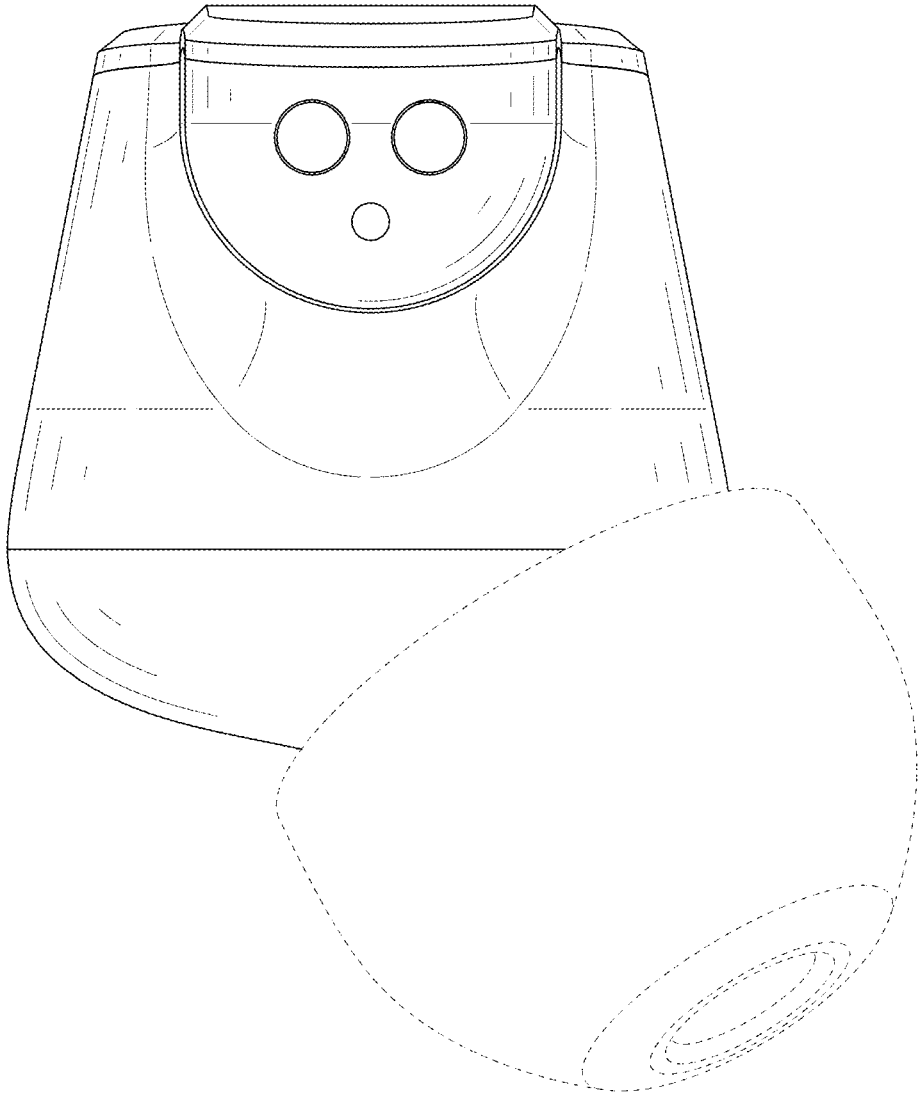


FIG. 8

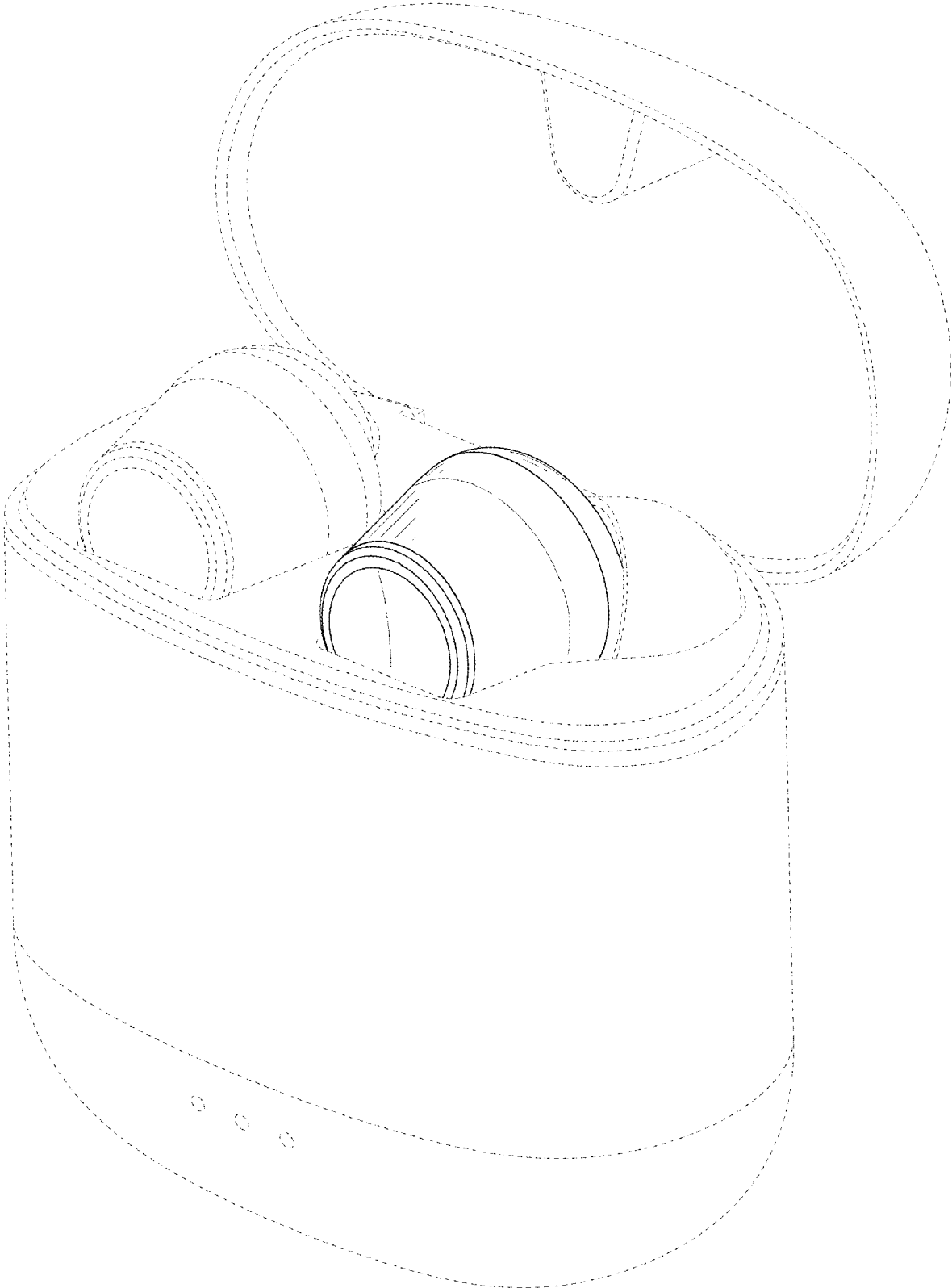


FIG. 9