



US00D442391S

(12) **United States Design Patent**
Wu

(10) **Patent No.:** **US D442,391 S**

(45) **Date of Patent:** **** May 22, 2001**

(54) **TABLE**

(76) Inventor: **Ching Kun Wu**, P.O. Box 82-144,
Taipei (TW)

(**) Term: **14 Years**

(21) Appl. No.: **29/120,992**

(22) Filed: **Mar. 30, 2000**

(51) **LOC (7) Cl.** **06-03**

(52) **U.S. Cl.** **D6/436; D6/480**

(58) **Field of Search** D6/436, 480-489,
D6/495, 477, 429, 437, 438; 108/153.1,
155, 156, 157.1, 161; 312/257.1

(56) **References Cited**

U.S. PATENT DOCUMENTS

D. 98,890 * 3/1936 Pumphrey D6/480

D. 182,836 * 5/1958 Lubberts et al. D6/436

D. 252,844 * 9/1979 Keller D6/480

* cited by examiner

Primary Examiner—Janice E. Seeger

(74) *Attorney, Agent, or Firm*—A & J

(57) **CLAIM**

The ornamental design for a table, as shown and described.

DESCRIPTION

FIG. 1 is a perspective view of a table showing my new design;

FIG. 2 is a front side elevation view thereof;

FIG. 3 is a rear side elevation view thereof;

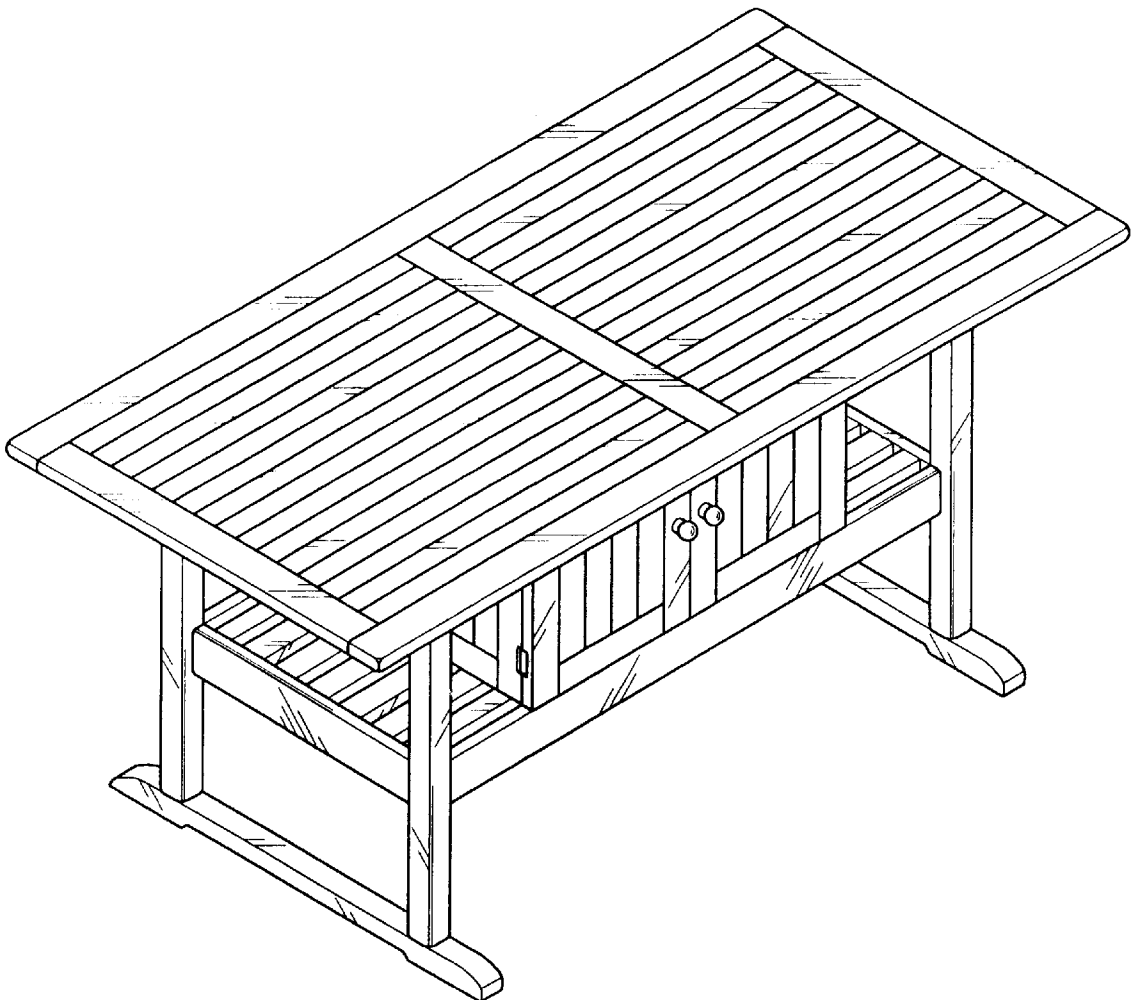
FIG. 4 is a left side elevation view thereof;

FIG. 5 is a right side elevation view thereof;

FIG. 6 is a top plan view thereof; and,

FIG. 7 is a bottom plan view thereof.

1 Claim, 4 Drawing Sheets



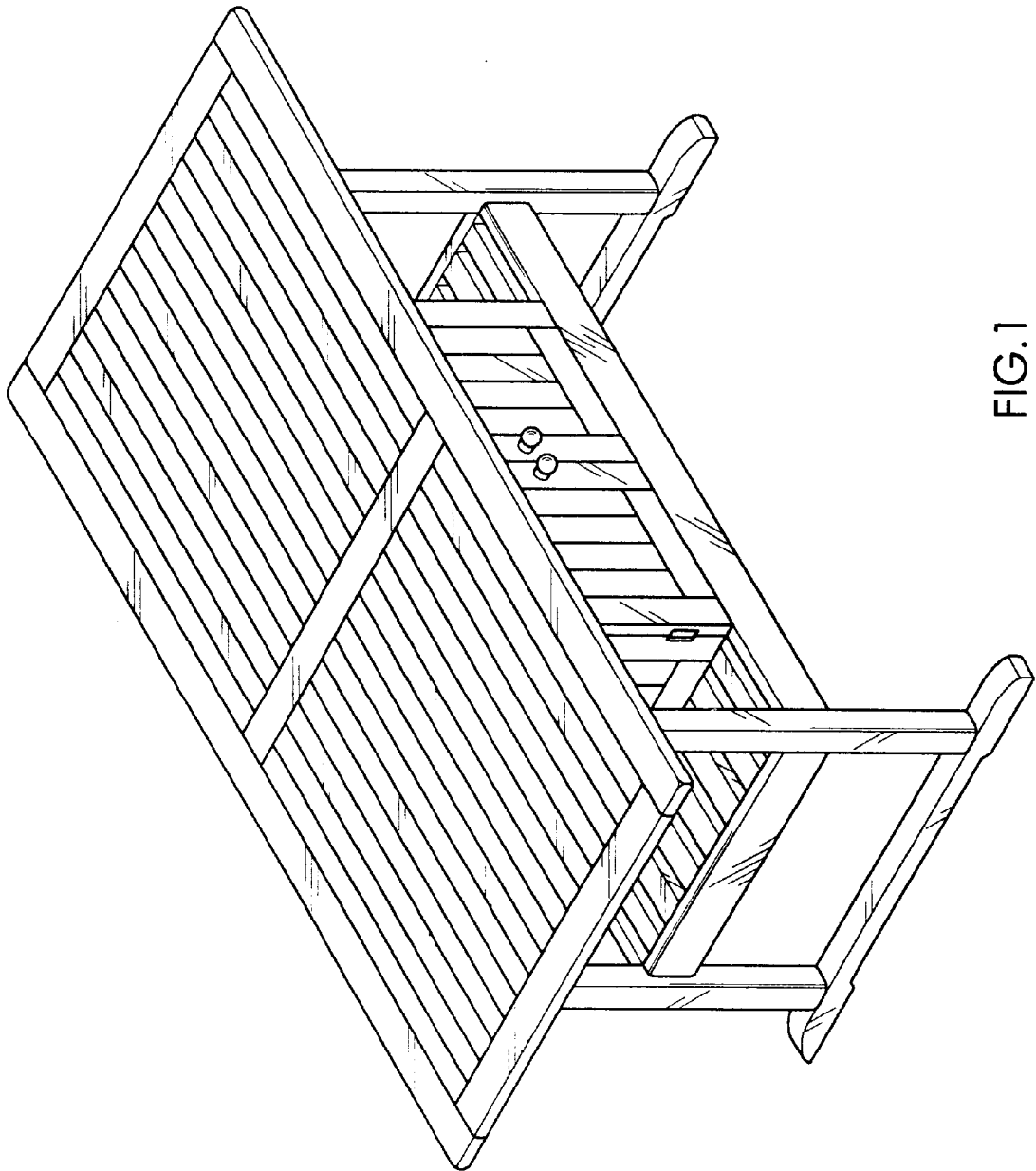


FIG. 1

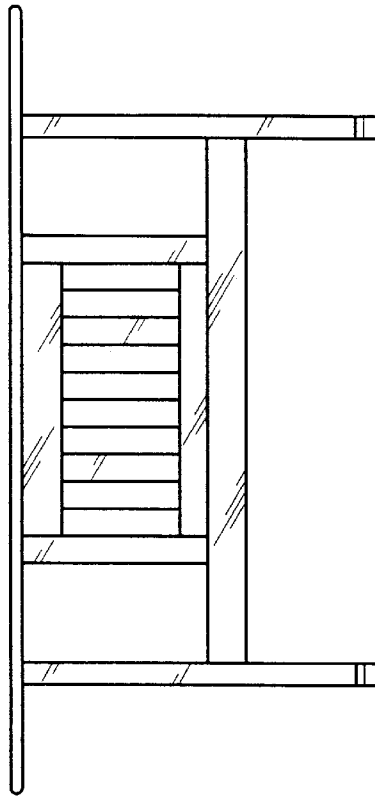


FIG.3

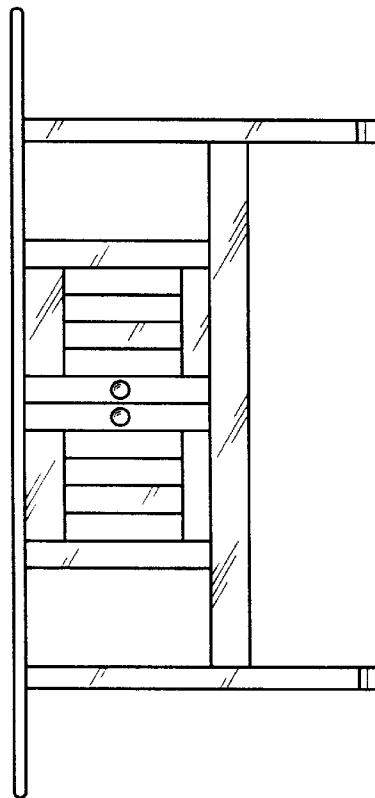


FIG.2

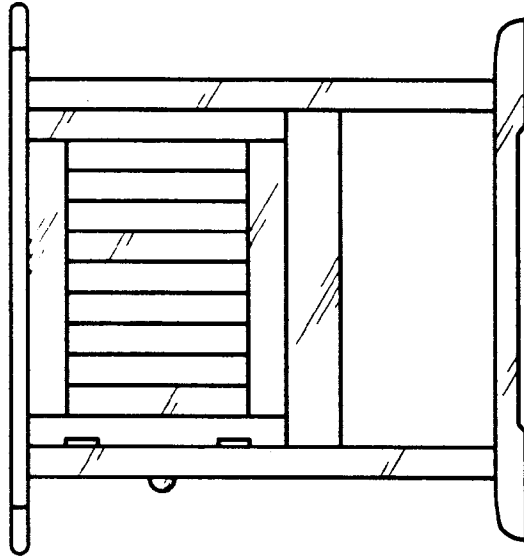


FIG.5

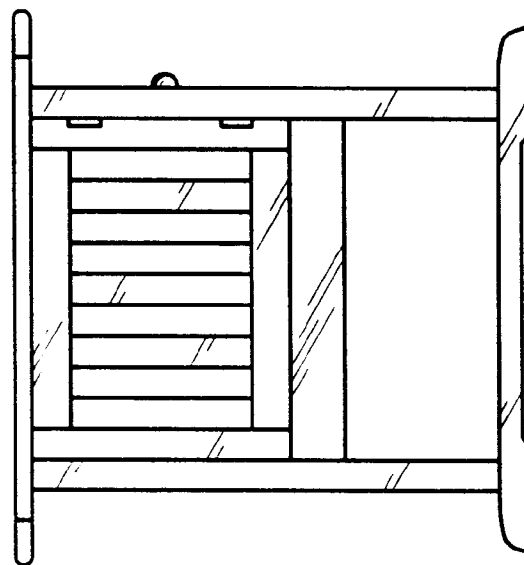


FIG.4

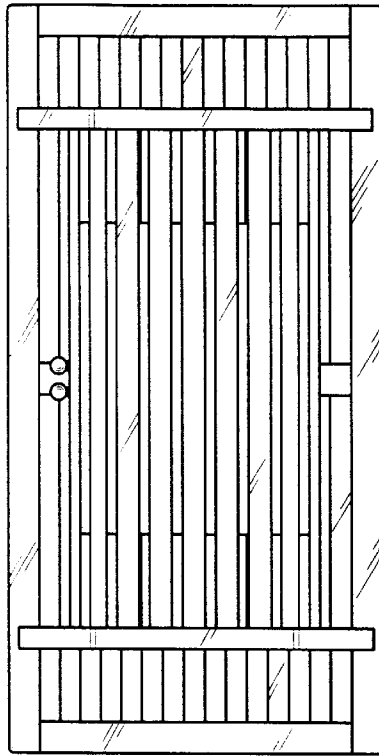


FIG. 7

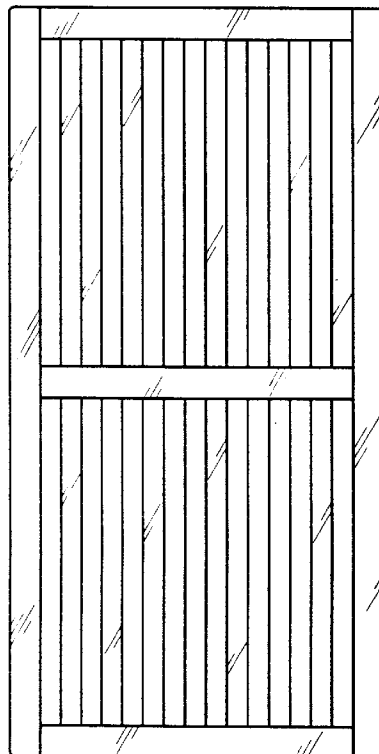


FIG. 6