



US0D1013654S

(12) **United States Design Patent**  
**Xu et al.**

(10) **Patent No.:** **US D1,013,654 S**  
(45) **Date of Patent:** **\*\* \*Feb. 6, 2024**

(54) **MOBILE PHONE**

(71) Applicant: **HUAWEI TECHNOLOGIES CO., LTD.**, Guangdong (CN)

(72) Inventors: **Jian Xu**, Shenzhen (CN); **Guoping Wu**, Shenzhen (CN)

(73) Assignee: **HUAWEI TECHNOLOGIES CO., LTD.**, Shenzhen (CN)

(\* ) Notice: This patent is subject to a terminal disclaimer.

(\*\*) Term: **15 Years**

(21) Appl. No.: **29/816,785**

(22) Filed: **Nov. 24, 2021**

(30) **Foreign Application Priority Data**

May 25, 2021 (CN) ..... 202130315906.3

(51) **LOC (14) Cl.** ..... **14-03**

(52) **U.S. Cl.**  
USPC ..... **D14/138 G**

(58) **Field of Classification Search**  
USPC ..... D14/138 G, 138 AD, 138 AB, 248, 341, D14/345, 439, 432, 371, 374, 138 R, D14/138 AA, 138 AC, 138 C  
CPC ..... H04M 1/0202; H04M 1/0235; H04M 1/0237; H04M 1/0239; H04M 1/0266; H04M 1/0268; H04M 1/027; H04M 1/0295; H04M 1/02; H04M 1/0279; H04M 1/0283

See application file for complete search history.

(56) **References Cited**

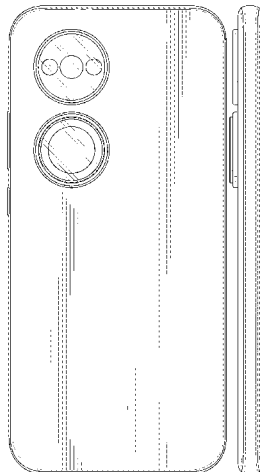
**U.S. PATENT DOCUMENTS**

D783,564 S \* 4/2017 Park ..... D14/138 G  
D788,733 S \* 6/2017 Park ..... D14/138 G  
D791,730 S \* 7/2017 Li ..... D14/138 G  
D808,917 S \* 1/2018 Lee ..... D14/138 G  
D821,345 S \* 6/2018 Park ..... D14/138 G

D828,322 S \* 9/2018 Ryu ..... D14/138 G  
D834,553 S \* 11/2018 Depape ..... D14/138 G  
D842,831 S \* 3/2019 Kim ..... D14/138 G  
D843,961 S \* 3/2019 Kim ..... D14/138 G  
D843,962 S \* 3/2019 Kim ..... D14/138 G  
D855,030 S \* 7/2019 Depape ..... D14/138 G  
D866,499 S \* 11/2019 Shin ..... D14/138 G  
D869,420 S \* 12/2019 Cho ..... D14/138 G  
D877,232 S \* 3/2020 Chou ..... D16/210  
D877,710 S \* 3/2020 Wu ..... D14/138 G  
D879,063 S \* 3/2020 Lee ..... D14/138 G  
D897,980 S \* 10/2020 Wu ..... D14/138 G  
D911,998 S \* 3/2021 Seo ..... D14/138 G  
D929,357 S \* 8/2021 Guo ..... D14/138 G  
D968,350 S \* 11/2022 Xu ..... D14/138 C  
D973,616 S \* 12/2022 Xu ..... D14/138 C  
D973,621 S \* 12/2022 Hao ..... D14/138 G  
D973,622 S \* 12/2022 Wang ..... D14/138 G  
D974,318 S \* 1/2023 Baik ..... D14/138 C  
D978,850 S \* 2/2023 Wan ..... D14/248  
D979,529 S \* 2/2023 Lin ..... D14/138 G  
D983,154 S \* 4/2023 Wei ..... D14/138 G  
D984,401 S \* 4/2023 Lee ..... D14/138 AB  
D986,203 S \* 5/2023 Lee ..... D14/138 AB  
D986,843 S \* 5/2023 Park ..... D14/138 G  
D986,845 S \* 5/2023 Lee ..... D14/138 AB  
D986,846 S \* 5/2023 Ji ..... D14/138 AD  
D989,759 S \* 6/2023 Akana ..... D14/341  
D989,760 S \* 6/2023 Akana ..... D14/138 G  
D991,202 S \* 7/2023 Akana ..... D14/138 C  
D991,203 S \* 7/2023 Kaija ..... D14/138 C  
D993,932 S \* 8/2023 Ma ..... D14/248

**FOREIGN PATENT DOCUMENTS**

CN 307505190 \* 8/2022  
CN 307593578 \* 10/2022  
CN 307926497 \* 3/2023  
EM 007874359-0002 \* 8/2020  
EM 007874359-0001 \* 9/2021  
GB 6119682 \* 2/2021  
GB 6178462 \* 11/2021  
GB 6178463 \* 11/2021  
GB 6178464 \* 11/2021  
GB 6178465 \* 11/2021  
GB 6178466 \* 11/2021  
GB 6193323 \* 2/2022  
GB 6193324 \* 2/2022  
GB 6193325 \* 2/2022  
GB 6193326 \* 2/2022  
GB 6193327 \* 2/2022  
GB 6193397 \* 2/2022  
GB 6193398 \* 2/2022



GB	6193399	*	2/2022
GB	6193400	*	2/2022
GB	6220565	*	7/2022
GB	6215619	*	10/2022
GB	6215621	*	10/2022
HK	2016957-0001	*	7/2021
HK	2016957-0002	*	7/2021
HK	2016957-0003	*	7/2021
HK	2016957-0004	*	7/2021
HK	2016957-0005	*	7/2021
HK	2016957-0006	*	7/2021
HK	2220198-0006	*	9/2022
IN	334162-001-0001	*	12/2021
IN	364953-001-0001	*	10/2022
IN	361362-001-0001	*	12/2022
IN	369010-001-0001	*	12/2022
RU	00133331	*	12/2021
RU	00134628	*	3/2022
TW	222899-0001	*	1/2023

OTHER PUBLICATIONS

Huawei nova 8 5G, announced Dec. 23, 2020, [online], [retrieved on Feb. 16, 2023]. Retrieved from Internet ,<URL: <http://www.gsmarena.com>>.\*

Huawei P50, announced Jul. 29, 2021, [online], [retrieved on Feb. 16, 2023]. Retrieved from Internet ,<URL: <http://www.gsmarena.com>>.\*

Huawei nova 9, announced Sep. 23, 2021, [online], [retrieved on Feb. 16, 2023]. Retrieved from Internet ,<URL: <http://www.gsmarena.com>>.\*

Huawei P50 Pocket, announced Dec. 23, 2021, [online], [retrieved on Feb. 16, 2023]. Retrieved from Internet ,<URL: <http://www.gsmarena.com>>.\*

Huawei nova 9 SE, announced Mar. 8, 2022, [online], [retrieved on Feb. 16, 2023]. Retrieved from Internet ,<URL: <http://www.gsmarena.com>>.\*

Huawei nova 10 SE, announced Oct. 5, 2022, [online], [retrieved on Feb. 16, 2023]. Retrieved from Internet ,<URL: <http://www.gsmarena.com>>.\*

Xiaomi 12S Ultra, announced Jul. 4, 2022, [online], [retrieved on Feb. 16, 2023]. Retrieved from Internet ,<URL: <http://www.gsmarena.com>>.\*

Xiaomi Poco M3, announced Nov. 24, 2020, [online], [retrieved on Feb. 16, 2023]. Retrieved from Internet ,<URL: <http://www.gsmarena.com>>.\*

Honor 50 SE, announced Jun. 16, 2021, [online], [retrieved on Feb. 16, 2023]. Retrieved from Internet ,<URL: <http://www.gsmarena.com>>.\*

Honor 70, announced May 30, 2022, [online], [retrieved on Feb. 16, 2023]. Retrieved from Internet ,<URL: <http://www.gsmarena.com>>.\*

Oppo A97, announced Jul. 12, 2022, [online], [retrieved on Feb. 16, 2023]. Retrieved from Internet ,<URL: <http://www.gsmarena.com>>.\*

Realme C33, announced Sep. 6, 2022, [online], [retrieved on Feb. 16, 2023]. Retrieved from Internet ,<URL: <http://www.gsmarena.com>>.\*

Realme V30, announced Feb. 9, 2023, [online], [retrieved on Feb. 16, 2023]. Retrieved from Internet ,<URL: <http://www.gsmarena.com>>.\*

Asus Zenfone 9, announced Jul. 28, 2022, [online], [retrieved on Feb. 16, 2023]. Retrieved from Internet ,<URL: <http://www.gsmarena.com>>.\*

ZTE Axon 30 5G, announced Jul. 27, 2021, [online], [retrieved on Feb. 16, 2023]. Retrieved from Internet ,<URL: <http://www.gsmarena.com>>.\*

ZTE Blade V40s, announced Oct. 4, 2022, [online], [retrieved on Feb. 16, 2023]. Retrieved from Internet ,<URL: <http://www.gsmarena.com>>.\*

\* cited by examiner

Primary Examiner — Bridget L Eland

(57) CLAIM

The ornamental design for a mobile phone, as shown and described.

DESCRIPTION

FIG. 1 is a front perspective view of a first embodiment of a mobile phone, showing our new design;

FIG. 2 is a front view thereof;

FIG. 3 is a back view thereof;

FIG. 4 is a top view thereof;

FIG. 5 is a bottom view thereof;

FIG. 6 is a right side view thereof;

FIG. 7 is a left side view thereof;

FIG. 8 is a back perspective view thereof;

FIG. 9 is a front perspective view of a second embodiment of a mobile phone, showing our new design;

FIG. 10 is a front view thereof;

FIG. 11 is a back view thereof;

FIG. 12 is a top view thereof;

FIG. 13 is a bottom view thereof;

FIG. 14 is a right side view thereof;

FIG. 15 is a left side view thereof;

FIG. 16 is a back perspective view thereof;

FIG. 17 is a front perspective view of a third embodiment of a mobile phone, showing our new design;

FIG. 18 is a front view thereof;

FIG. 19 is a back view thereof;

FIG. 20 is a top view thereof;

FIG. 21 is a bottom view thereof;

FIG. 22 is a right side view thereof;

FIG. 23 is a left side view thereof;

FIG. 24 is a back perspective view thereof;

FIG. 25 is a front perspective view of a fourth embodiment of a mobile phone, showing our new design;

FIG. 26 is a front view thereof;

FIG. 27 is a back view thereof;

FIG. 28 is a top view thereof;

FIG. 29 is a bottom view thereof;

FIG. 30 is a right side view thereof;

FIG. 31 is a left side view thereof; and,

FIG. 32 is a back perspective view thereof.

The broken lines in drawings show portions of the mobile phone that form no part of the claimed design in the embodiments in which they are shown.

1 Claim, 24 Drawing Sheets

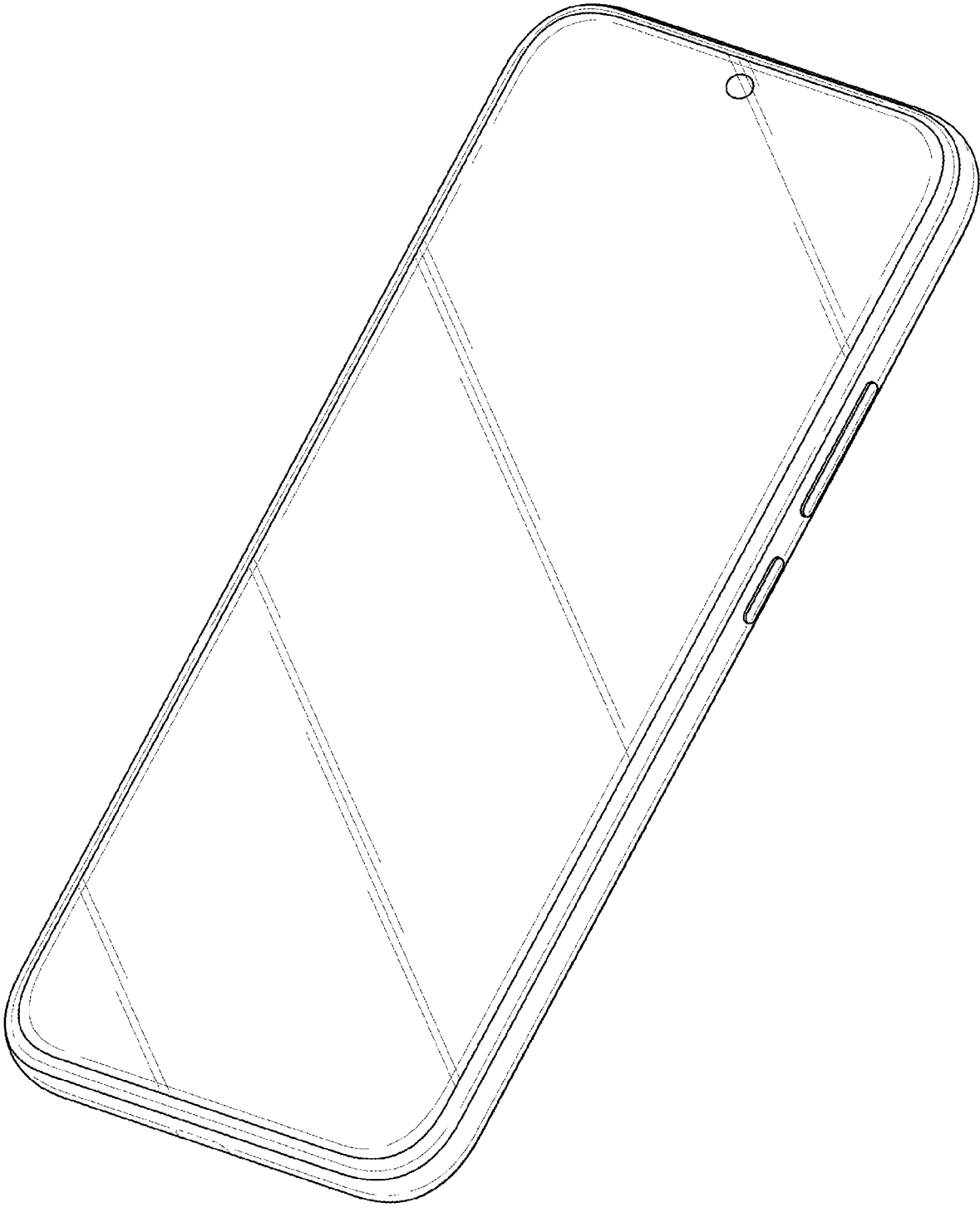


FIG. 1

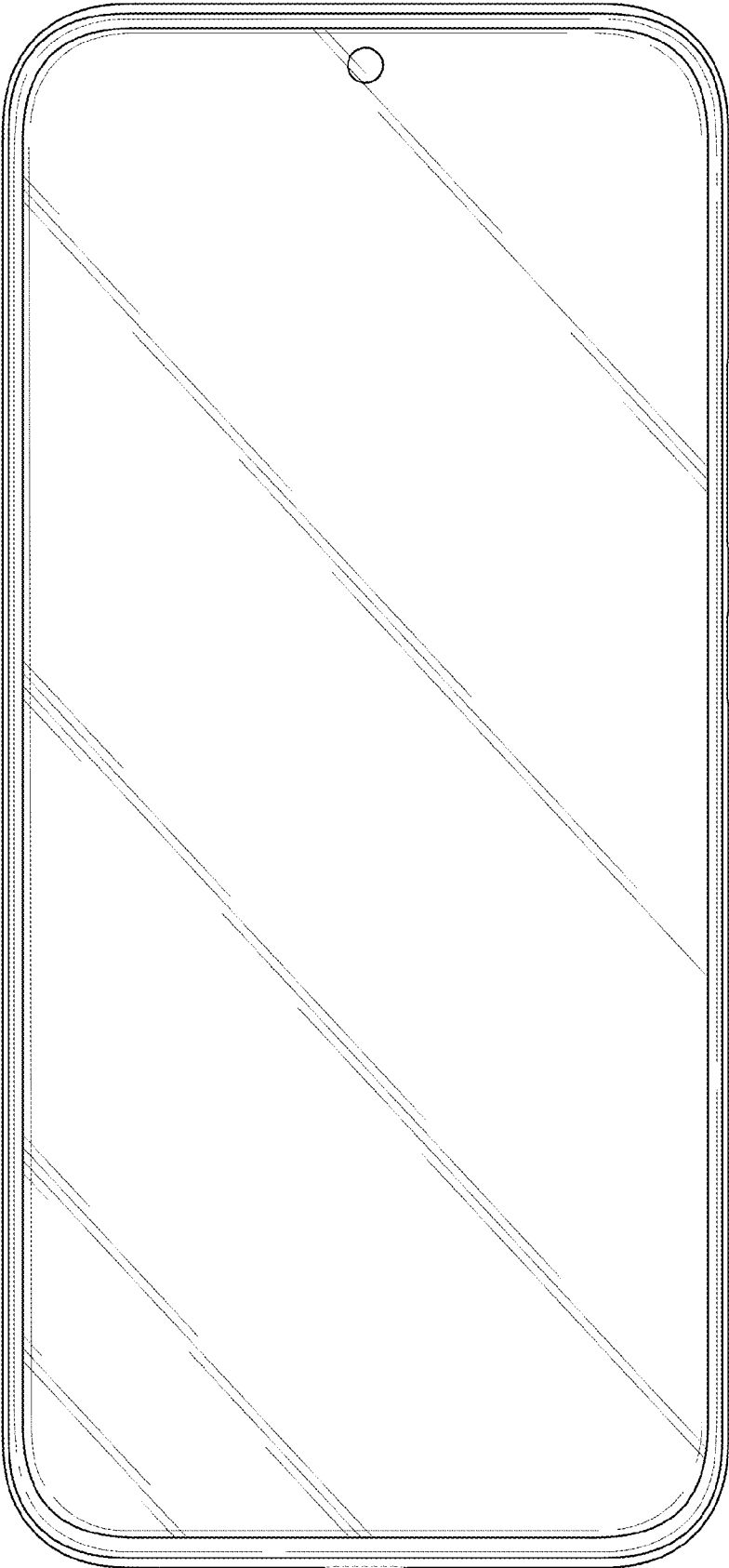


FIG. 2

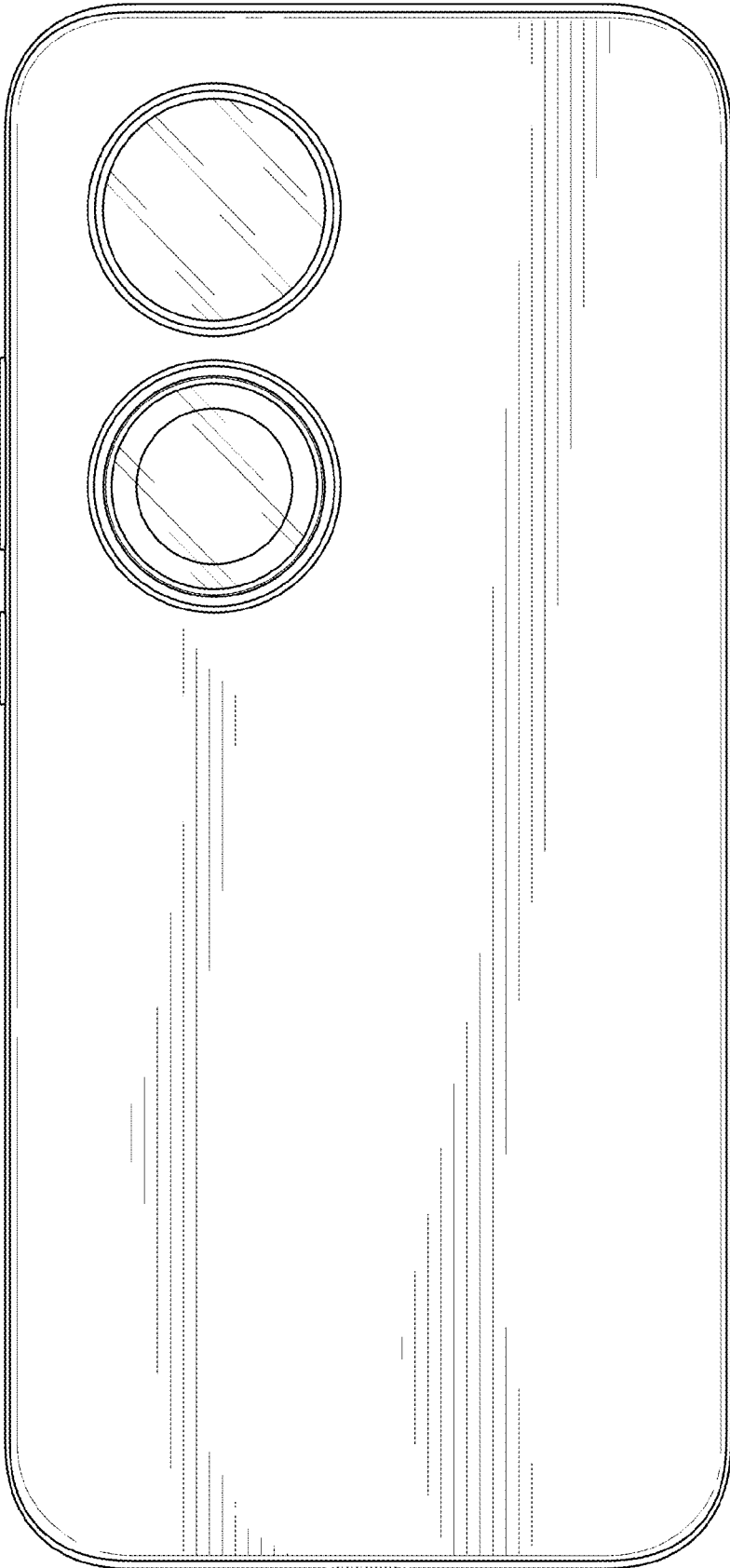
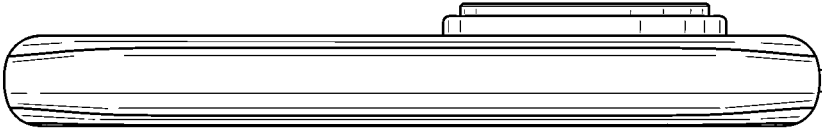
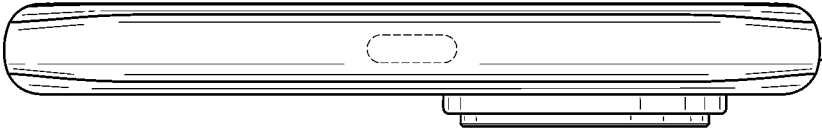


FIG. 3



**FIG. 4**



**FIG. 5**

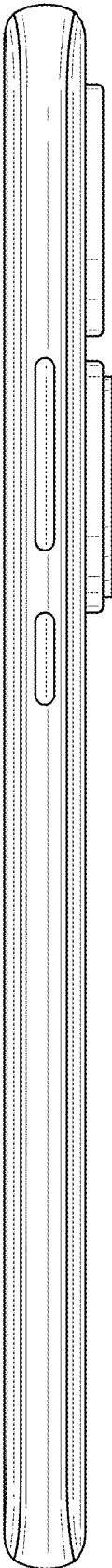


FIG. 6

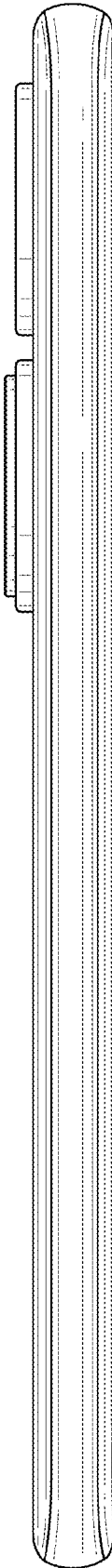


FIG. 7

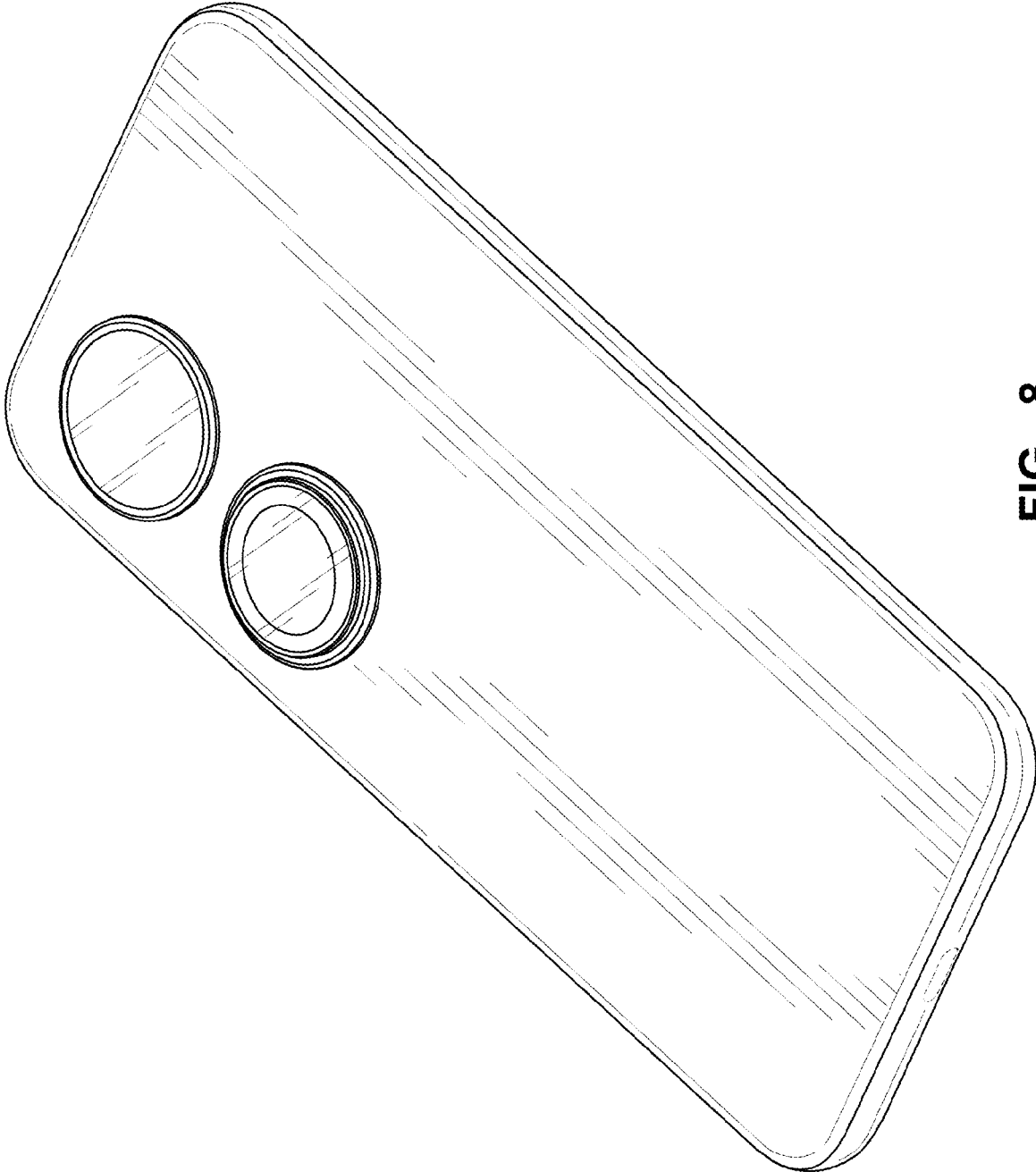


FIG. 8



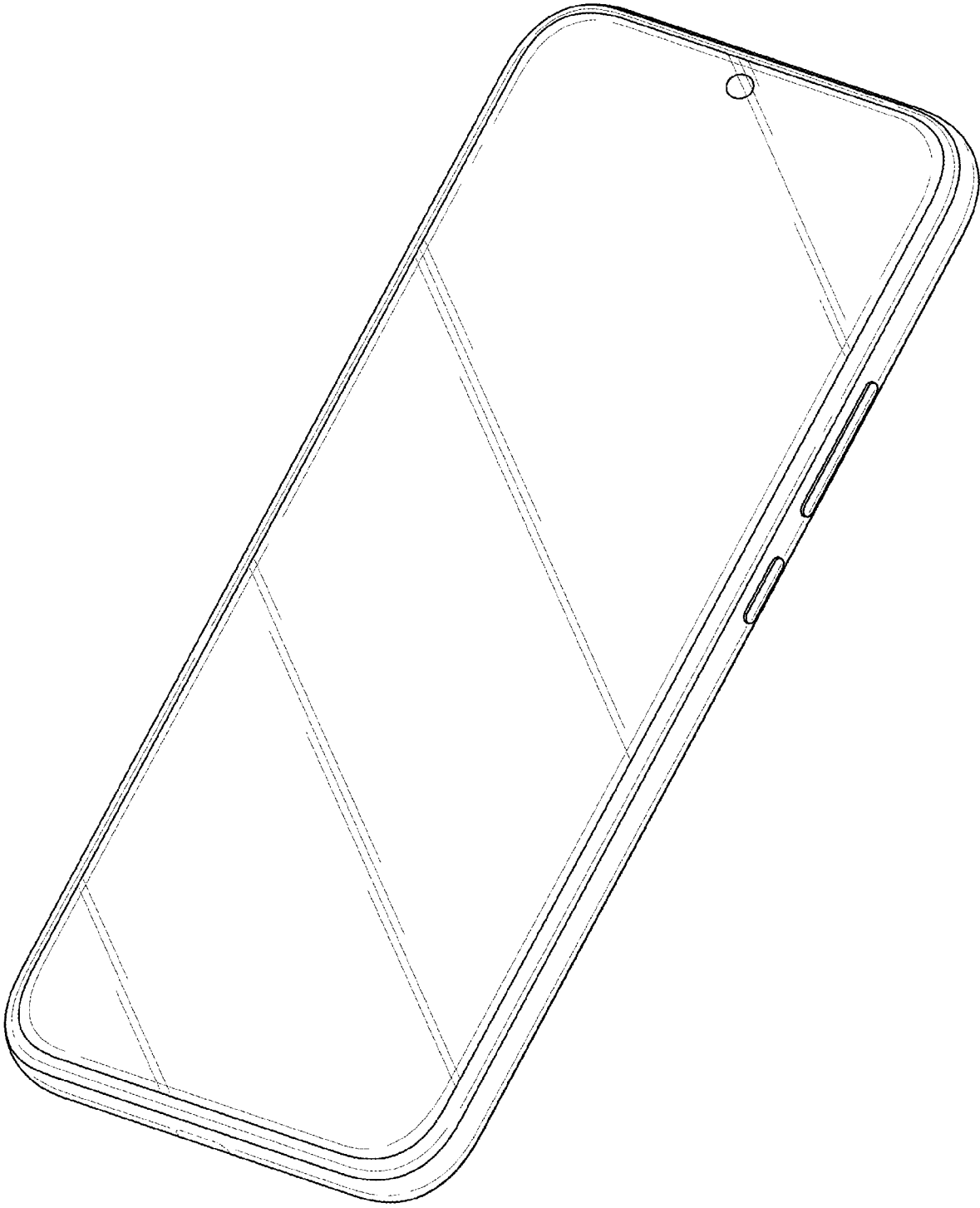


FIG. 9

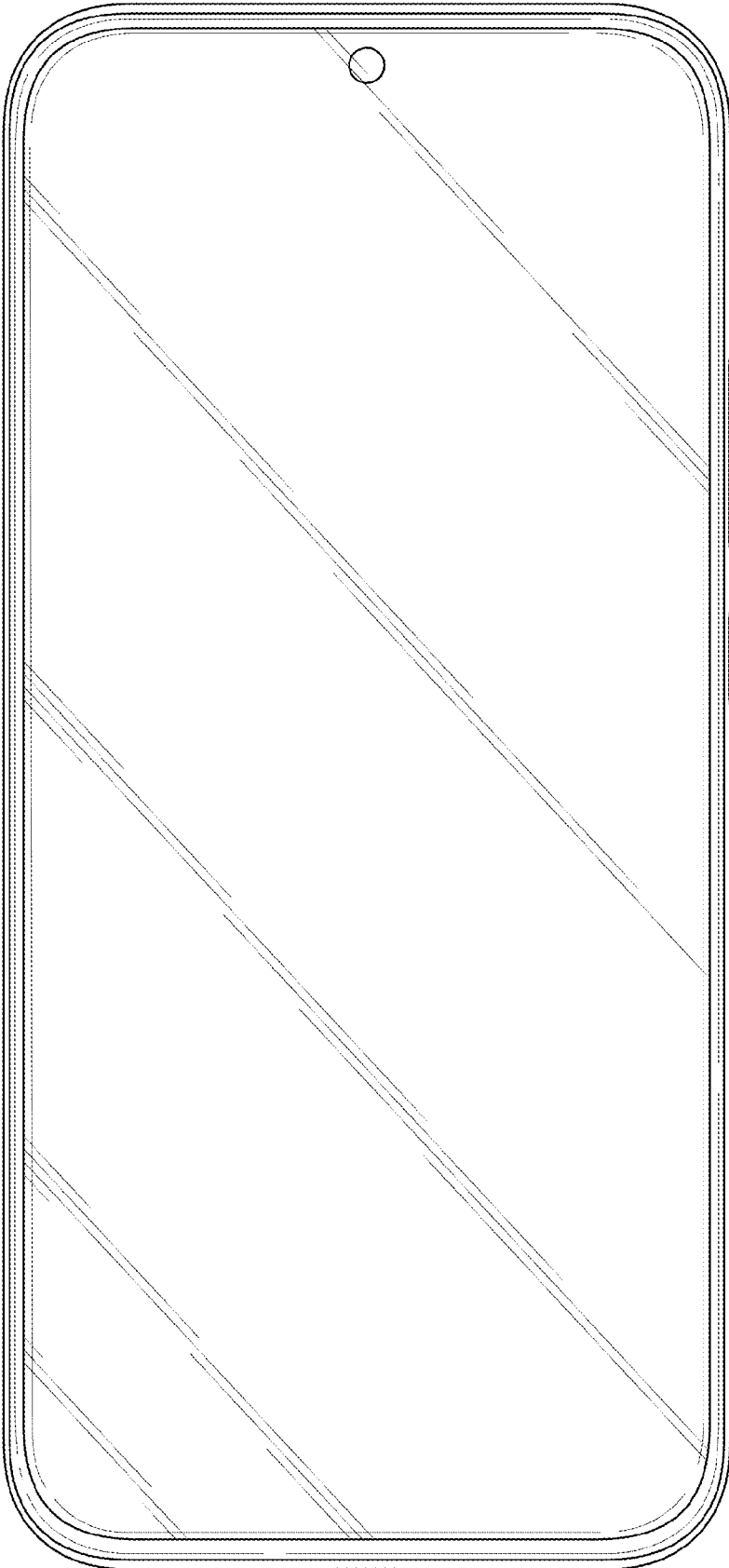


FIG. 10

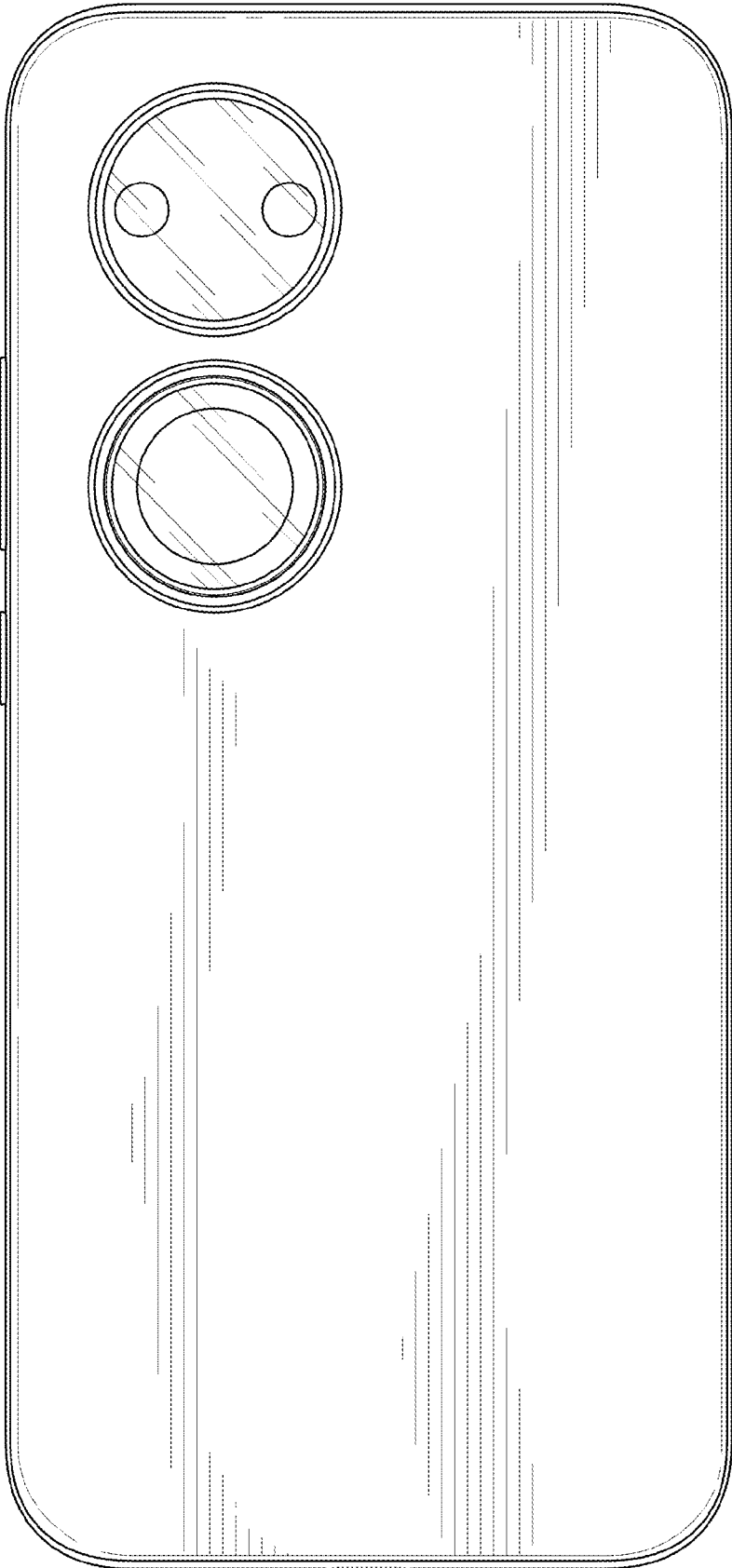
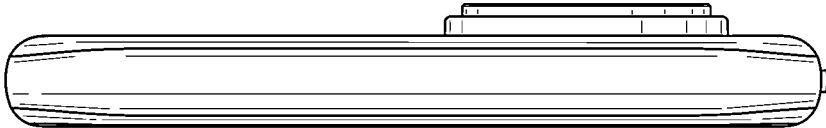
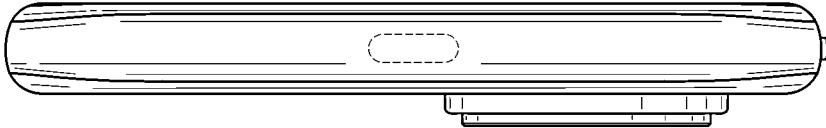


FIG. 11



**FIG. 12**



**FIG. 13**

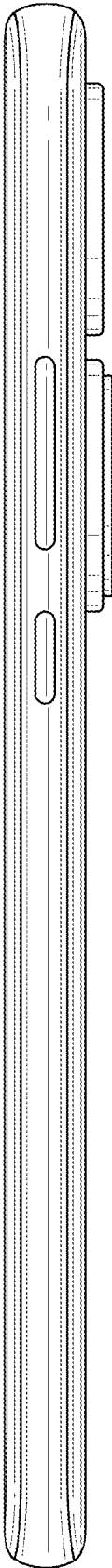


FIG. 14

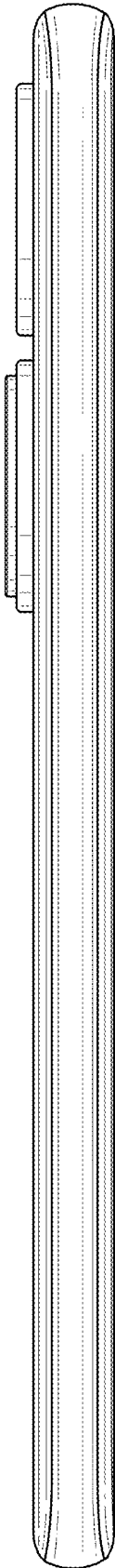


FIG. 15

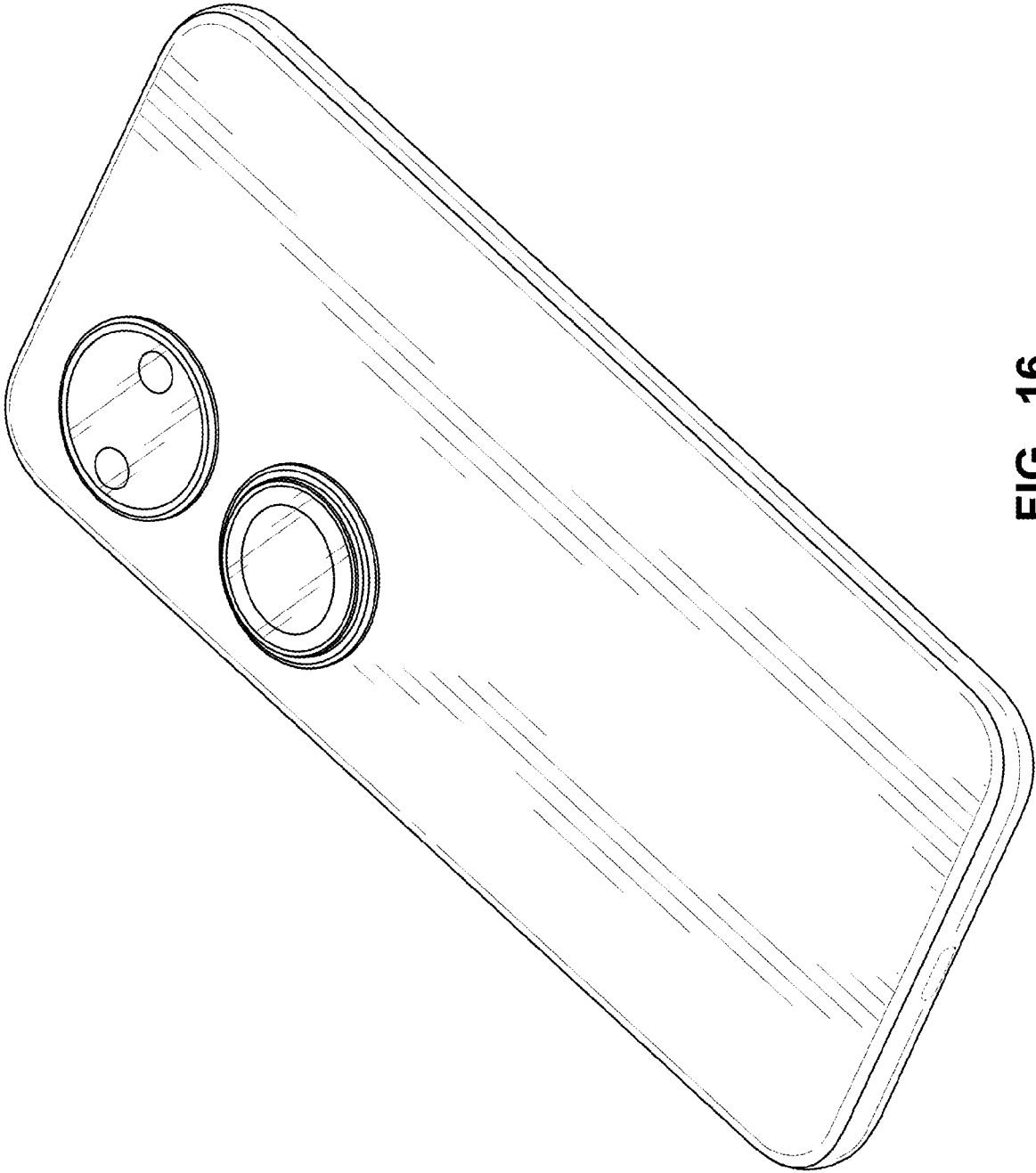


FIG. 16

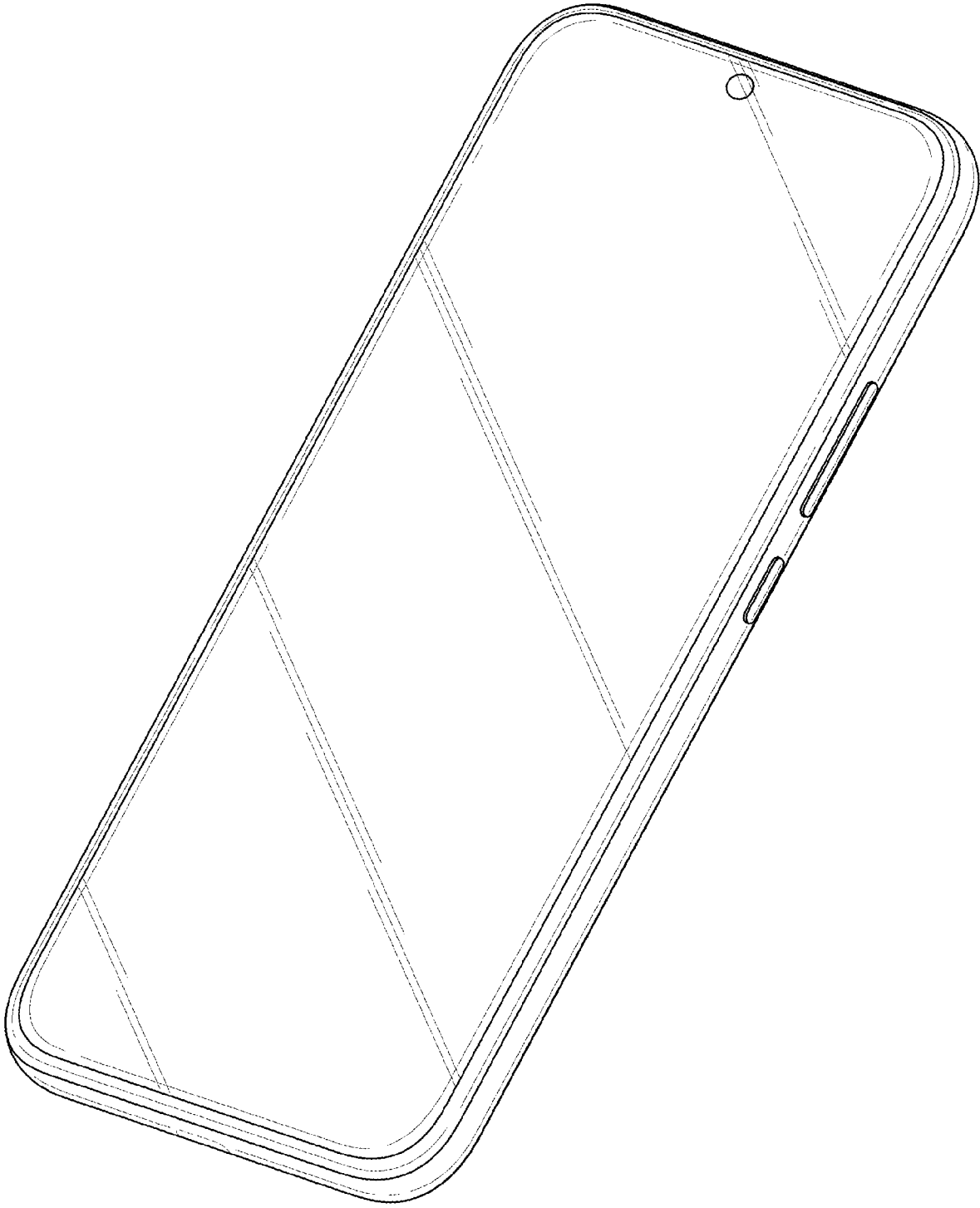


FIG. 17

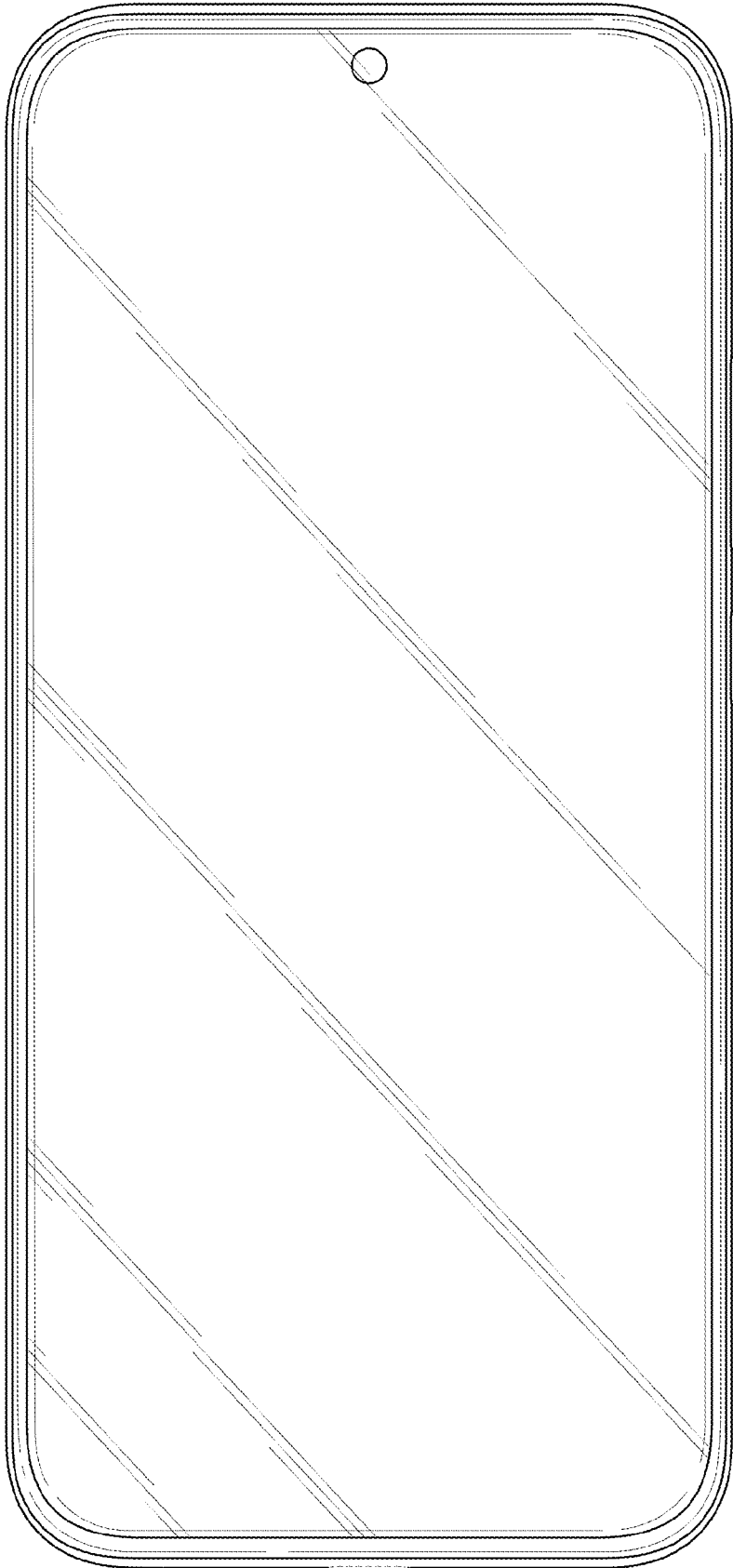


FIG. 18



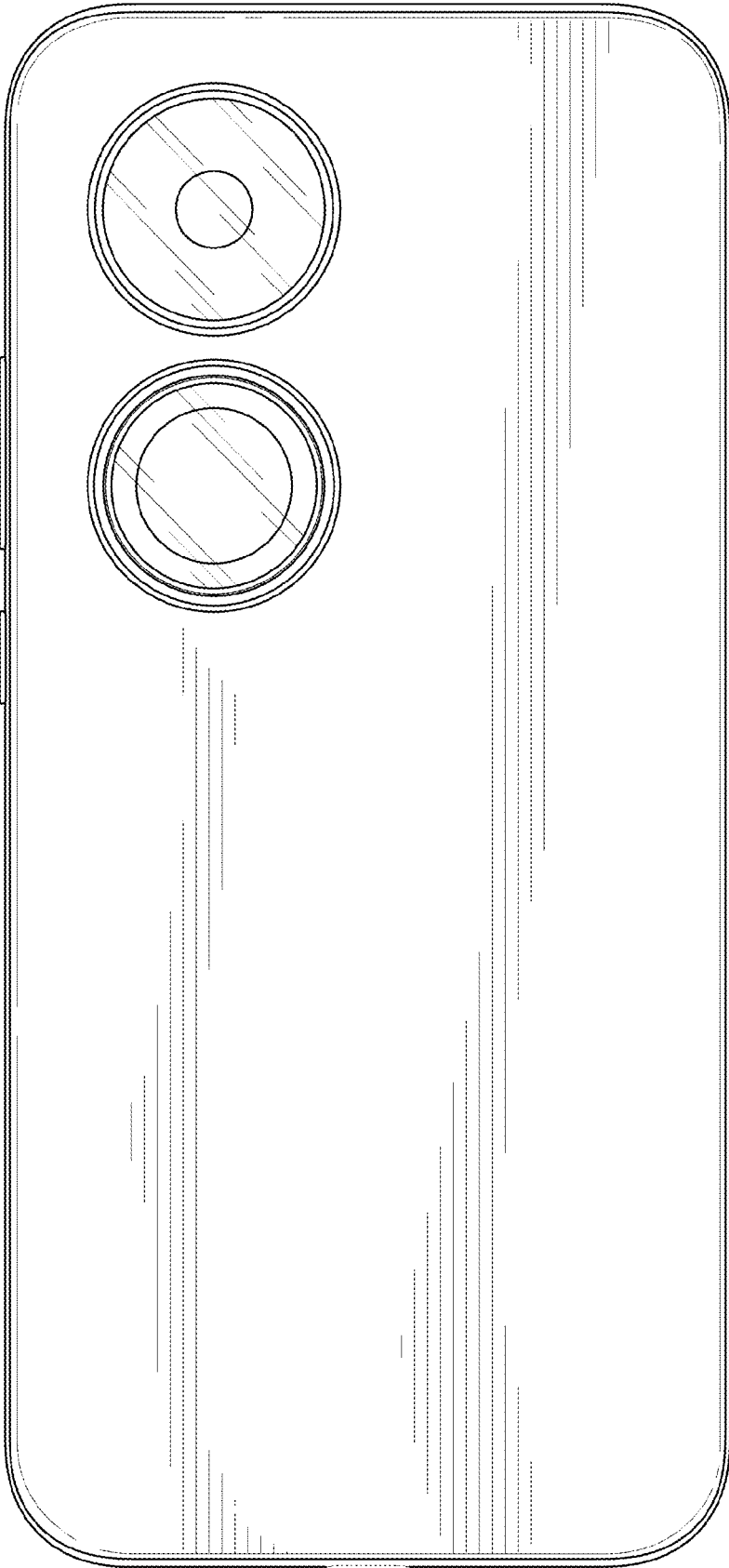


FIG. 19

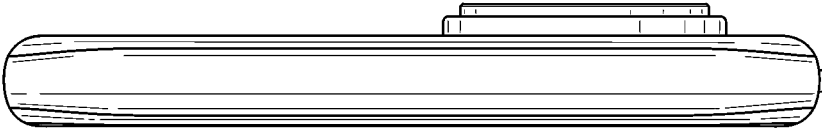


FIG. 20

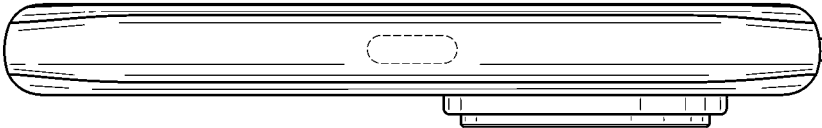


FIG. 21

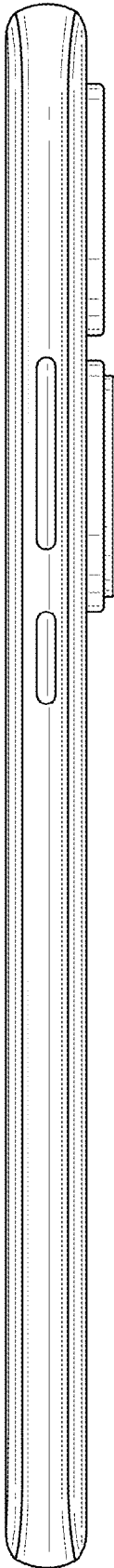


FIG. 22

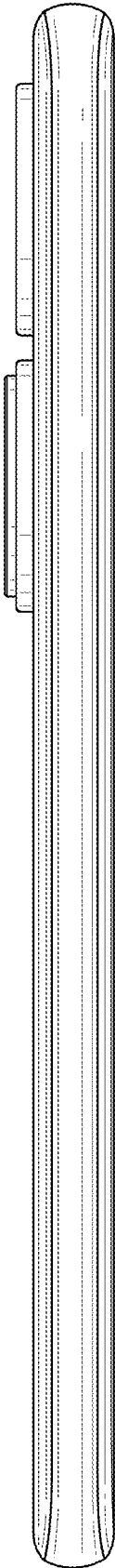


FIG. 23

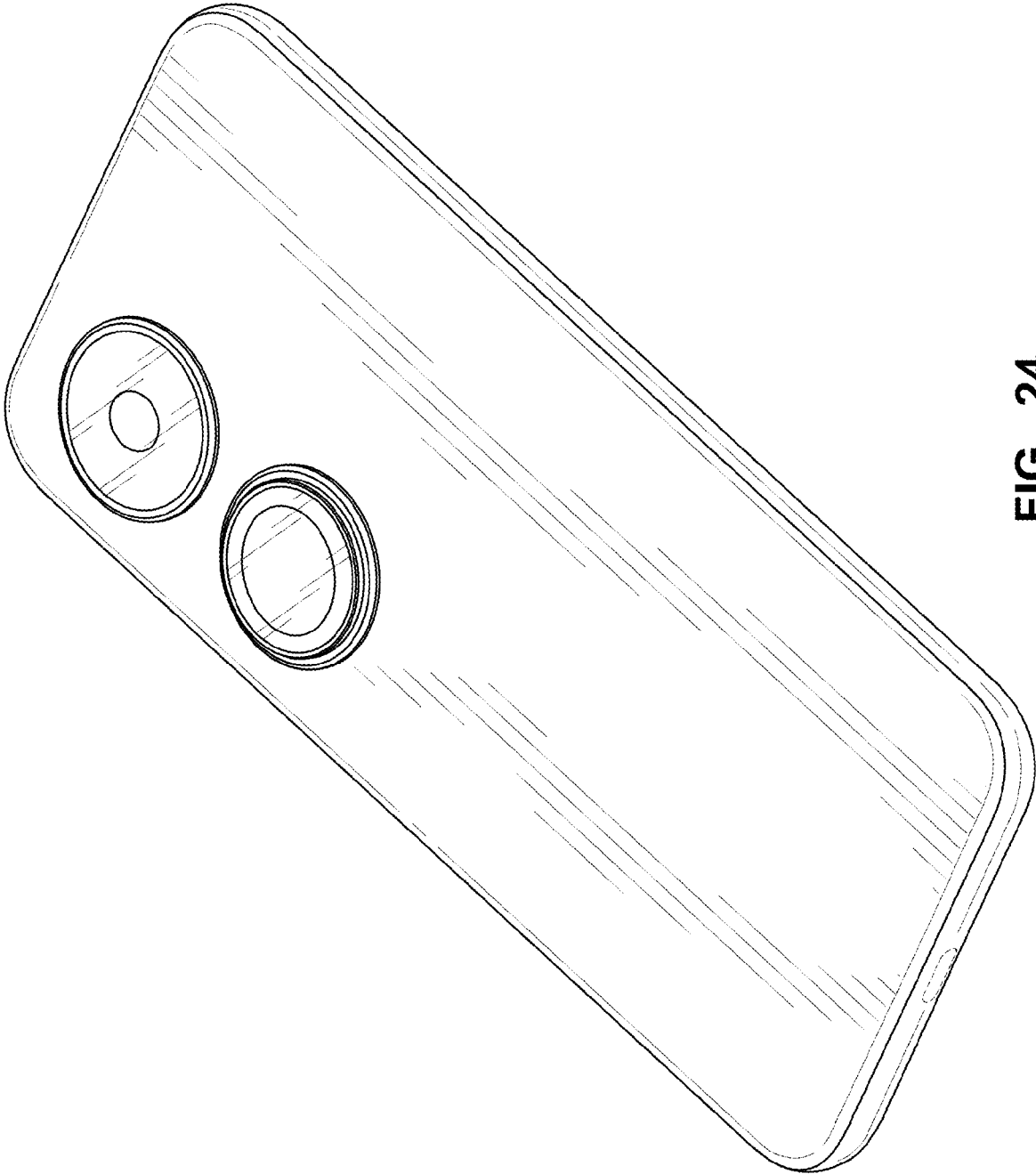


FIG. 24

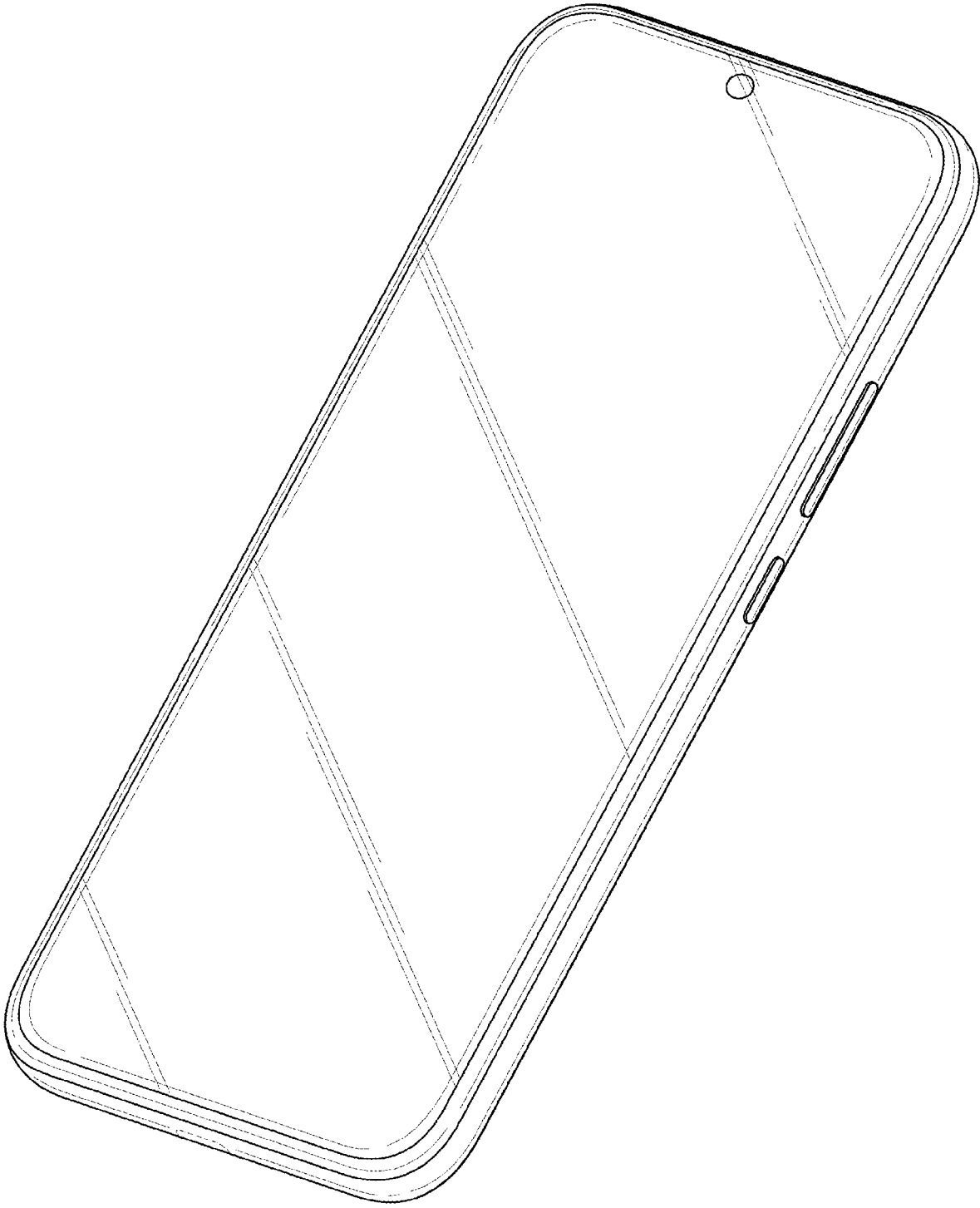


FIG. 25

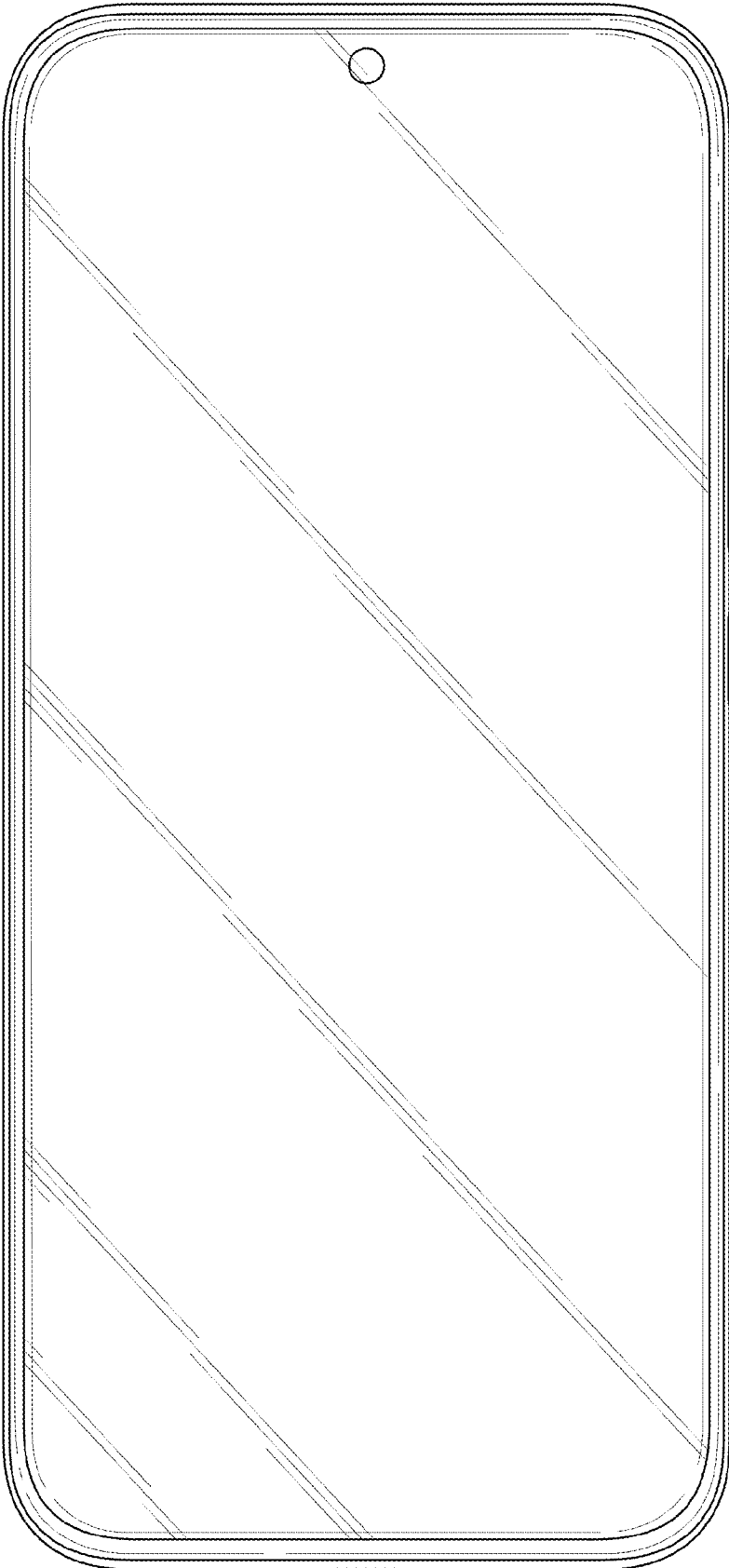


FIG. 26

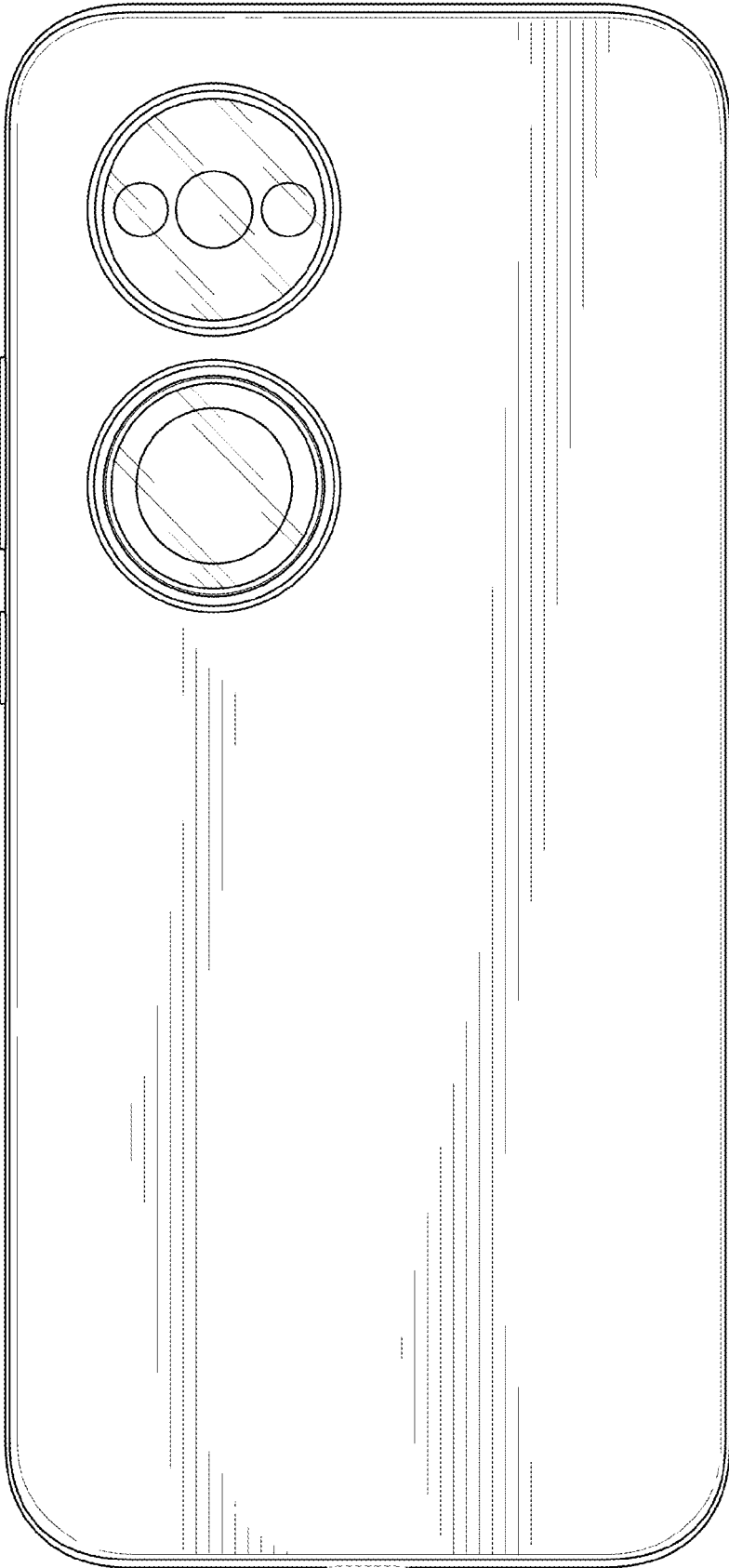
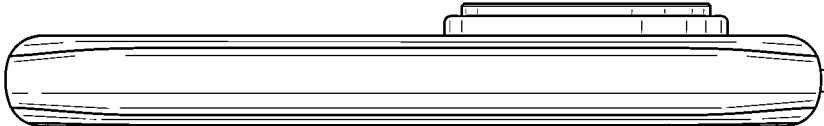
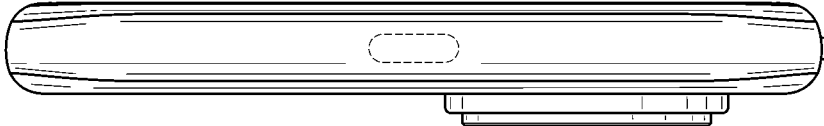


FIG. 27



**FIG. 28**



**FIG. 29**



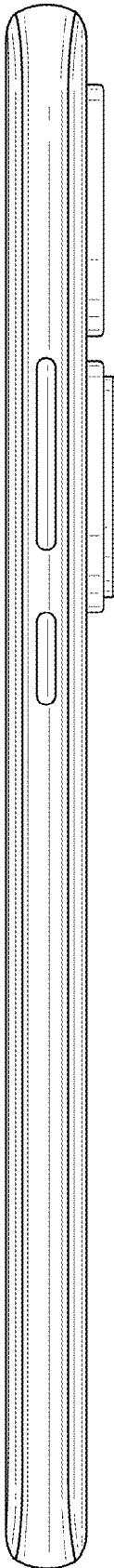


FIG. 30

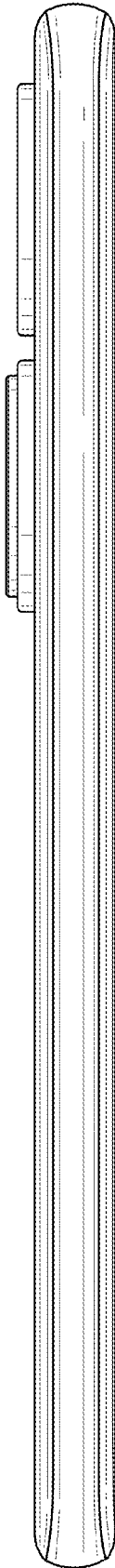


FIG. 31

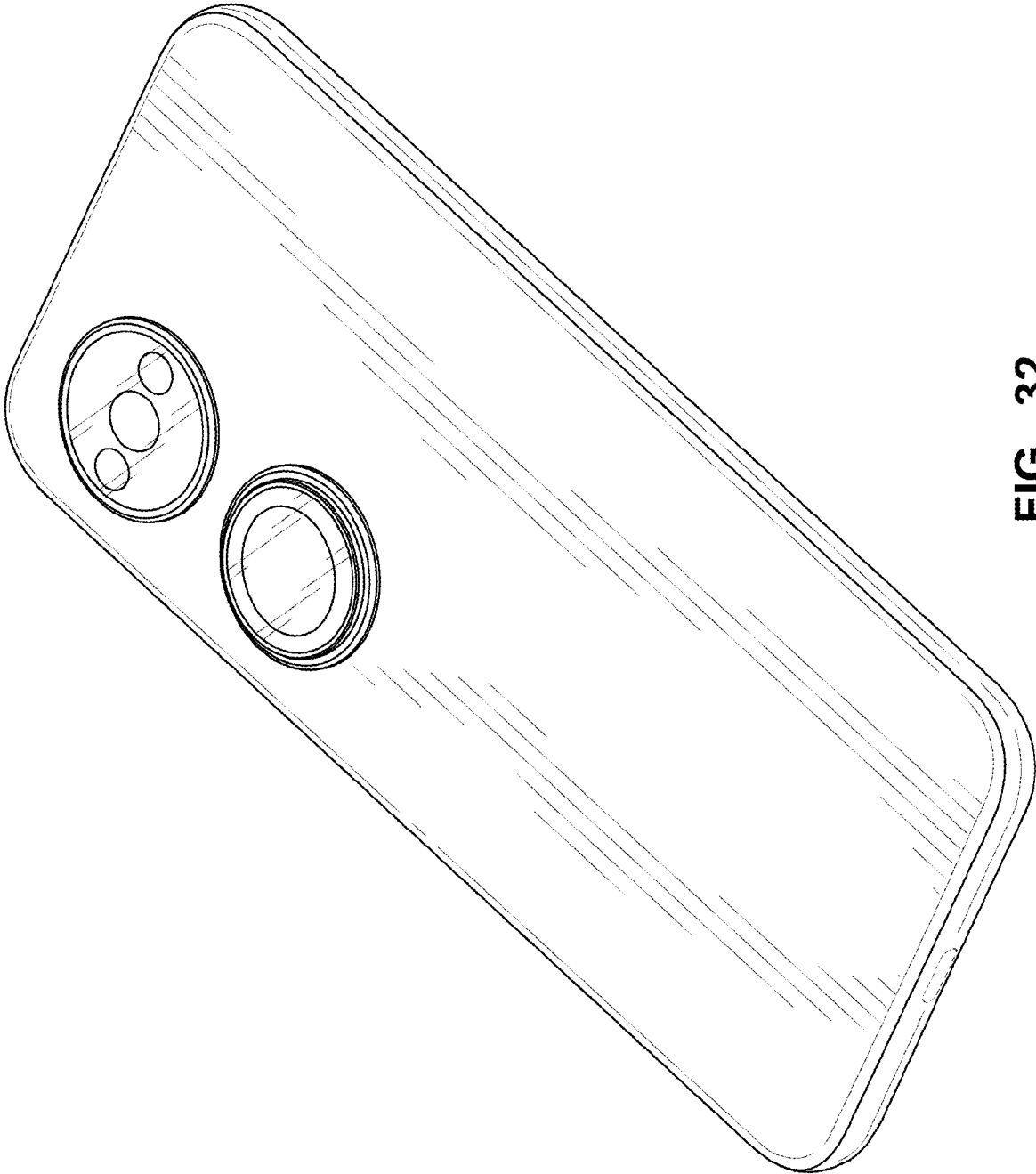


FIG. 32