



US00D332553S

# United States Patent [19]

[11] Patent Number: **Des. 332,553**

**Giugiaro**

[45] Date of Patent: **\*\* Jan. 19, 1993**

[54] **CUTLERY BOX**

[56] **References Cited**

[75] Inventor: **Giorgetto Giugiaro, Turin, Italy**

**PUBLICATIONS**

Schöner Wohnen, Aug. 1984, p. 64, cutlery tray.  
Sears, f/w 62., p. 1148, cutlery gadget tray #16.

[73] Assignee: **Fratelli Guzzini S.p.A., Recanati, Italy**

*Primary Examiner*—Terry A. Pfeffer  
*Attorney, Agent, or Firm*—Hedman, Gibson & Costigan

[\*\*] Term: **14 Years**

[57] **CLAIM**

The ornamental design for a cutlery box, as shown and described.

[21] Appl. No.: **650,646**

**DESCRIPTION**

[22] Filed: **Feb. 5, 1991**

FIG. 1 is a top perspective view of the cutlery box showing my new design;

[30] **Foreign Application Priority Data**

Aug. 8, 1990 [IT] Italy ..... 21635 B/90

FIG. 2 is a top plan view thereof;

[52] U.S. Cl. .... **D7/637**

FIG. 3 is a bottom plan view thereof;

[58] Field of Search ..... **D7/550, 553, 555, 637-641;**

FIG. 4 is a front elevational view thereof;

**206/553, 557, 564; 220/23.83**

FIG. 5 is a rear elevational view thereof;

FIG. 6 is a left side elevational view thereof; and,

FIG. 7 is a right side elevational view thereof.

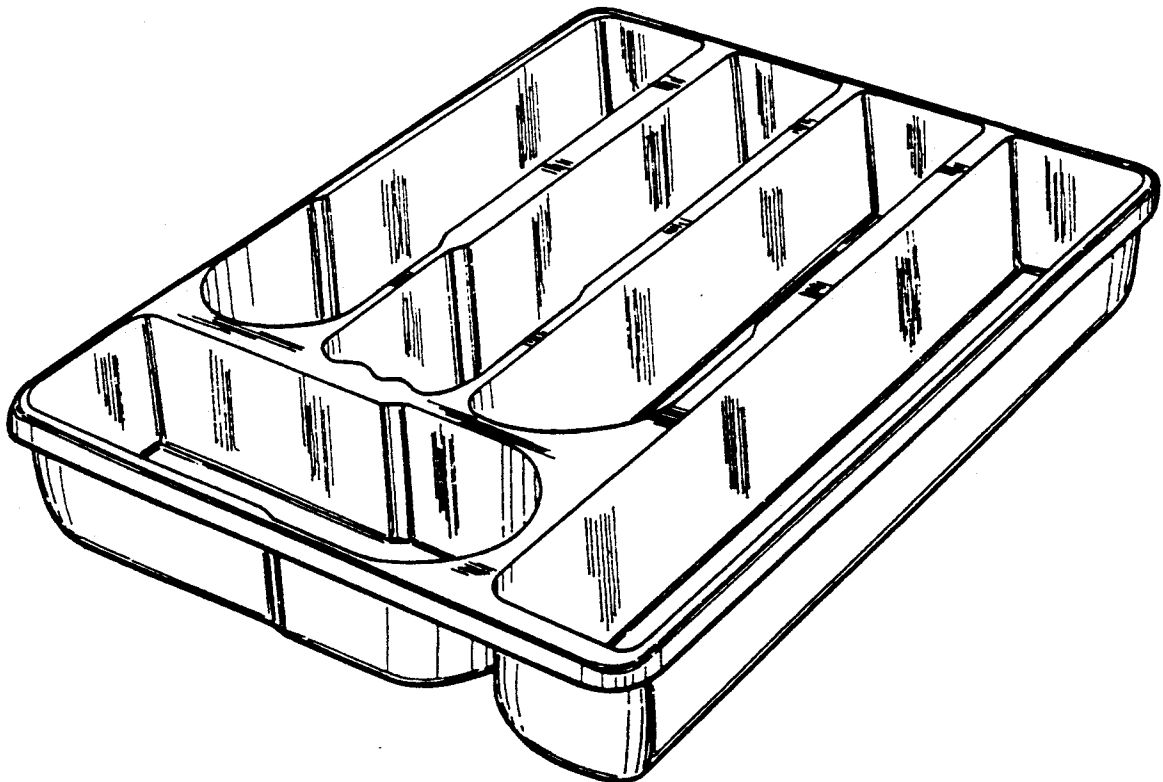


Fig.1

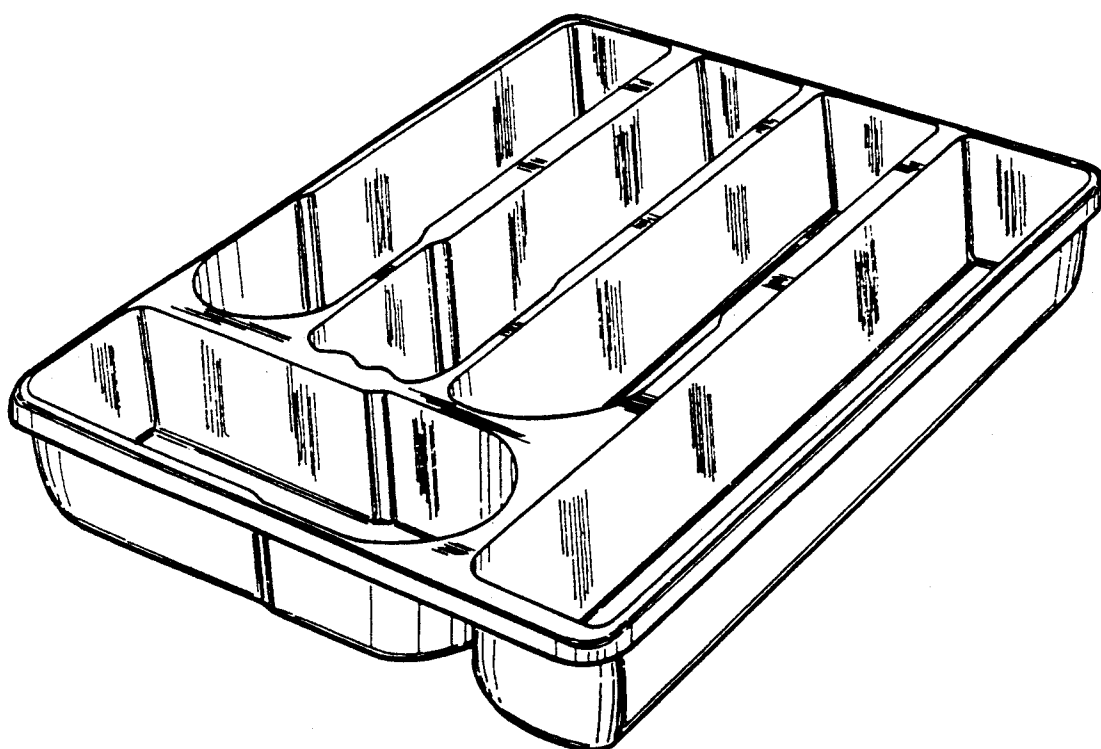


Fig.2

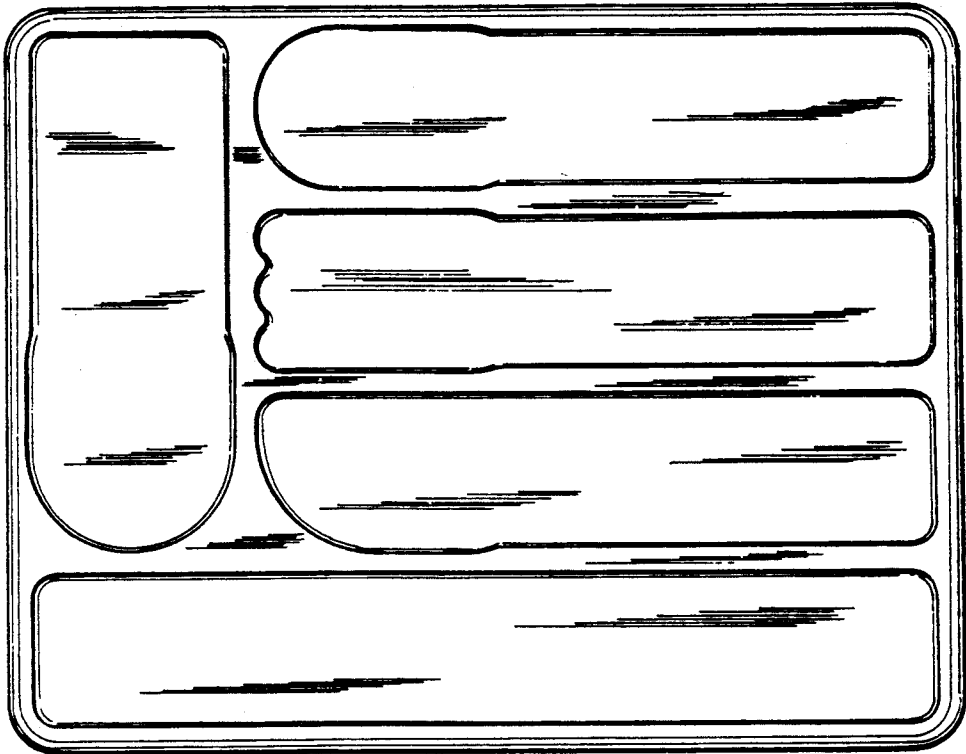


Fig.3

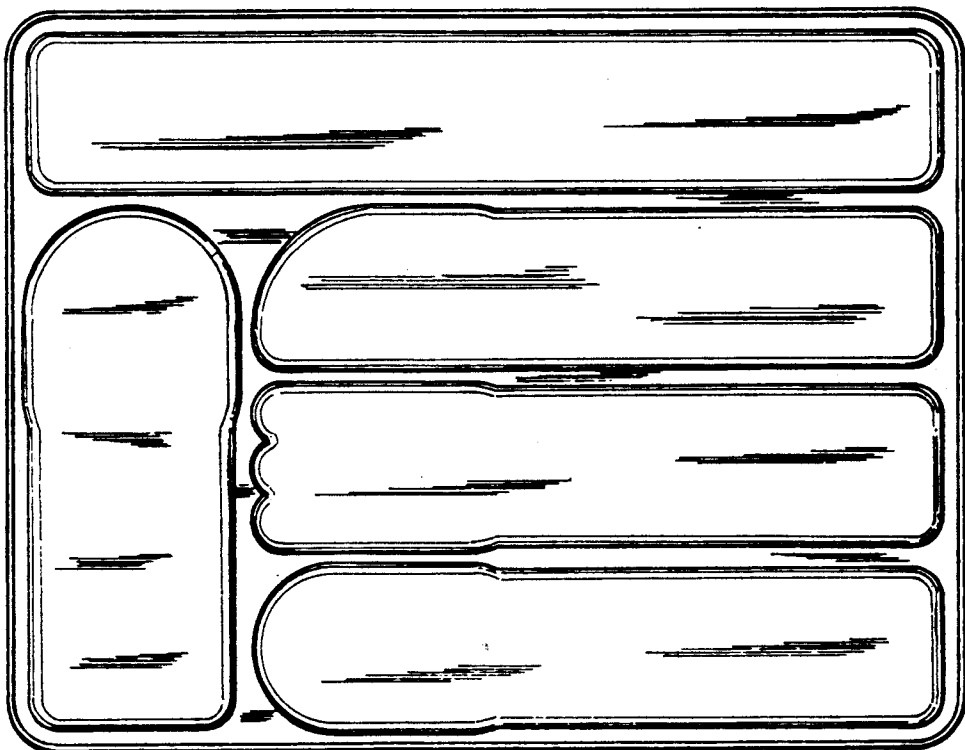


Fig.4

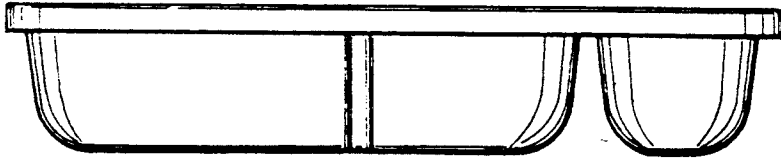


Fig.5

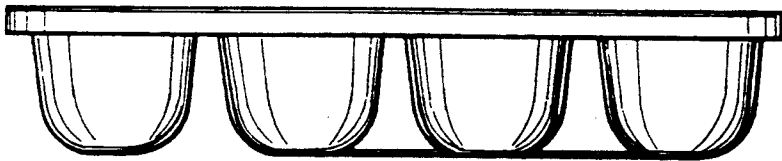


Fig.6

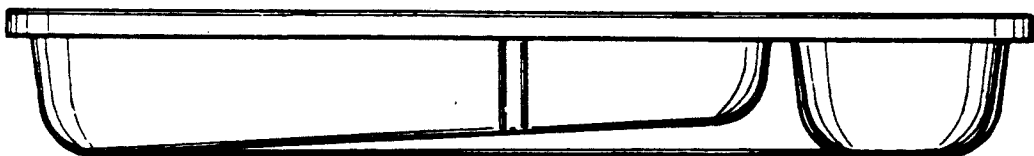


Fig.7

