



US00D383883S

United States Patent [19]
Langley

[11] **Patent Number:** **Des. 383,883**
[45] **Date of Patent:** ****Sep. 16, 1997**

[54] **LAWNMOWER WASHING TOOL**

[76] **Inventor:** **Gary T. Langley**, R.R. 3, Box 310B,
Rocky Mount, N.C. 27804

[**] **Term:** **14 Years**

[21] **Appl. No.:** **53,062**

[22] **Filed:** **Apr. 16, 1996**

[51] **LOC (6) Cl.** **08-99**

[52] **U.S. Cl.** **D23/214; D23/214**

[58] **Field of Search** **D23/213, 214-224,**
D23/228-230; D8/14; D32/35; 239/230-231,
232, 233, 394, 373, 415, 414

[56] **References Cited**

U.S. PATENT DOCUMENTS

D. 30,185	2/1899	Kelly	D23/213
D. 35,074	9/1901	Hull	D23/214
D. 280,144	8/1985	Cooney	D32/35
D. 303,913	10/1989	Leap	D23/214 X
D. 357,972	5/1995	Huen	D23/223
1,989,525	1/1935	Moore	D23/215 X

OTHER PUBLICATIONS

Scovill Manufacturing Co. Catalogue, p. 10. Ring shaped
sprinkler, Oct. 1939.

Primary Examiner—Susan J. Lucas

Assistant Examiner—Cynthia E. Ramiz

Attorney, Agent, or Firm—Harold H. Dutton, Jr.; Diane F.
Liebman

[57] **CLAIM**

The ornamental design for a lawnmower washing tool, as
shown.

DESCRIPTION

FIG. 1 is a perspective view of a lawnmower washing tool
showing my new design;

FIG. 2 is a top view thereof;

FIG. 3 is a bottom view thereof;

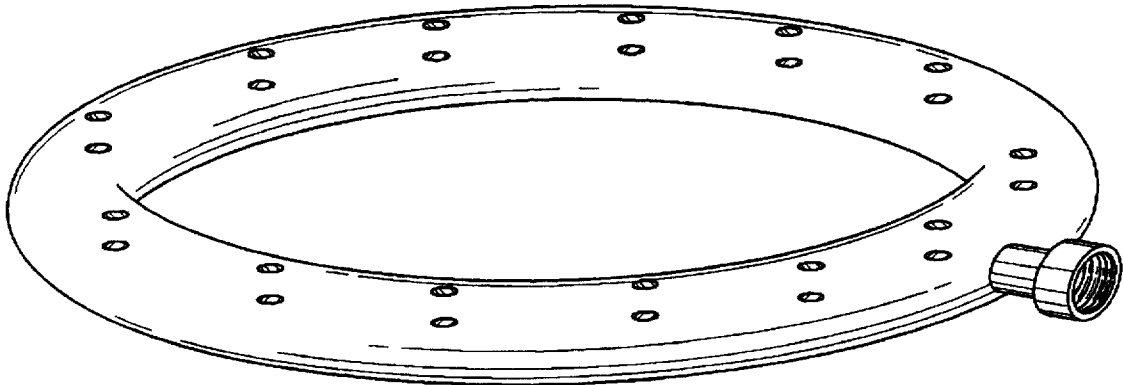
FIG. 4 is a front view thereof;

FIG. 5 is a rear view thereof;

FIG. 6 is a right side view thereof; and,

FIG. 7 is a left side view thereof.

1 Claim, 5 Drawing Sheets



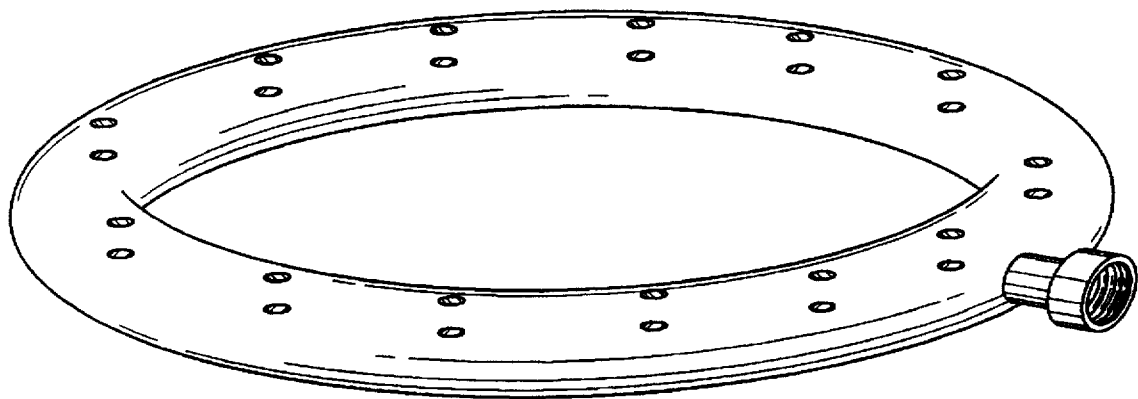


FIG. 1

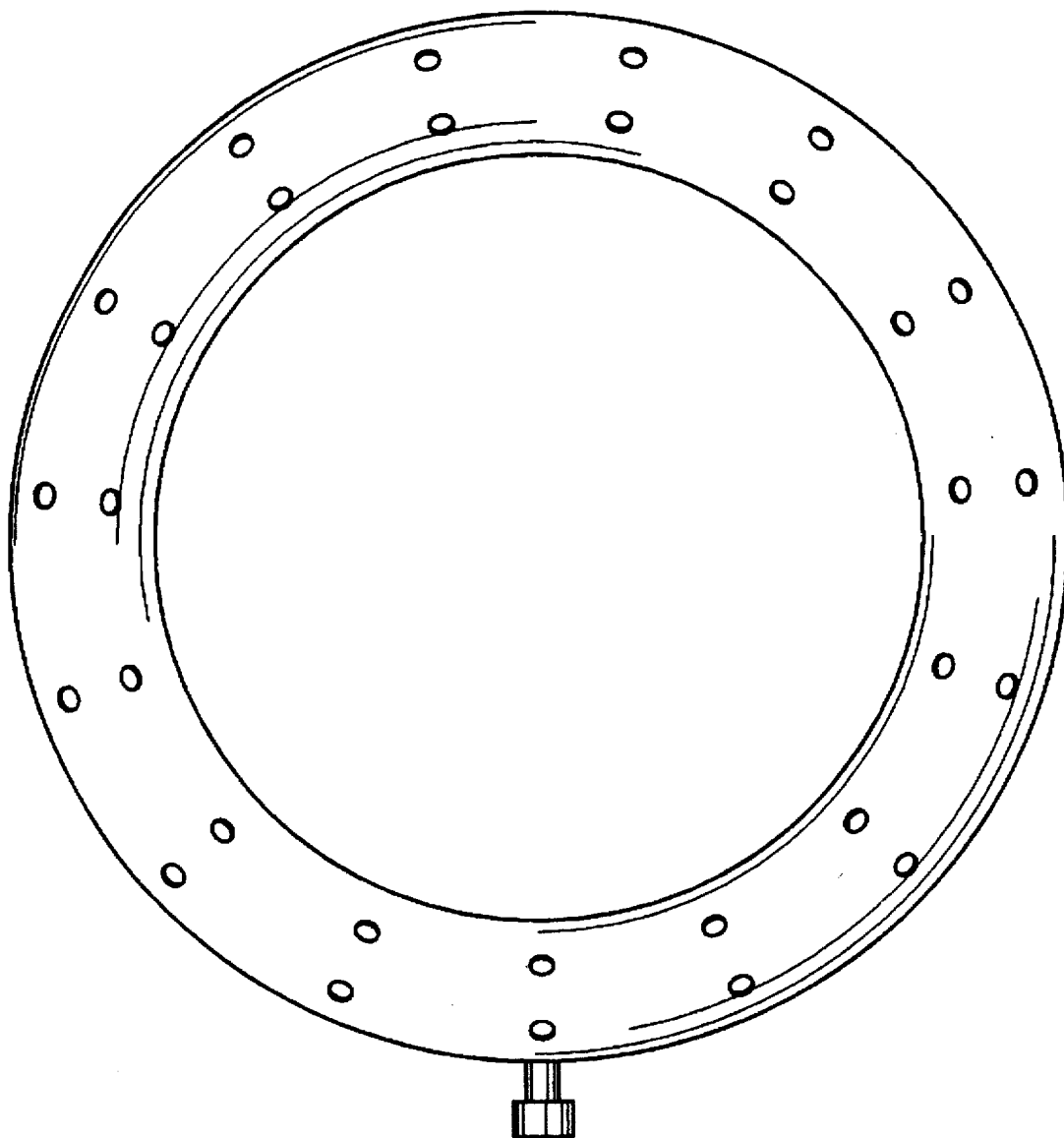


FIG. 2

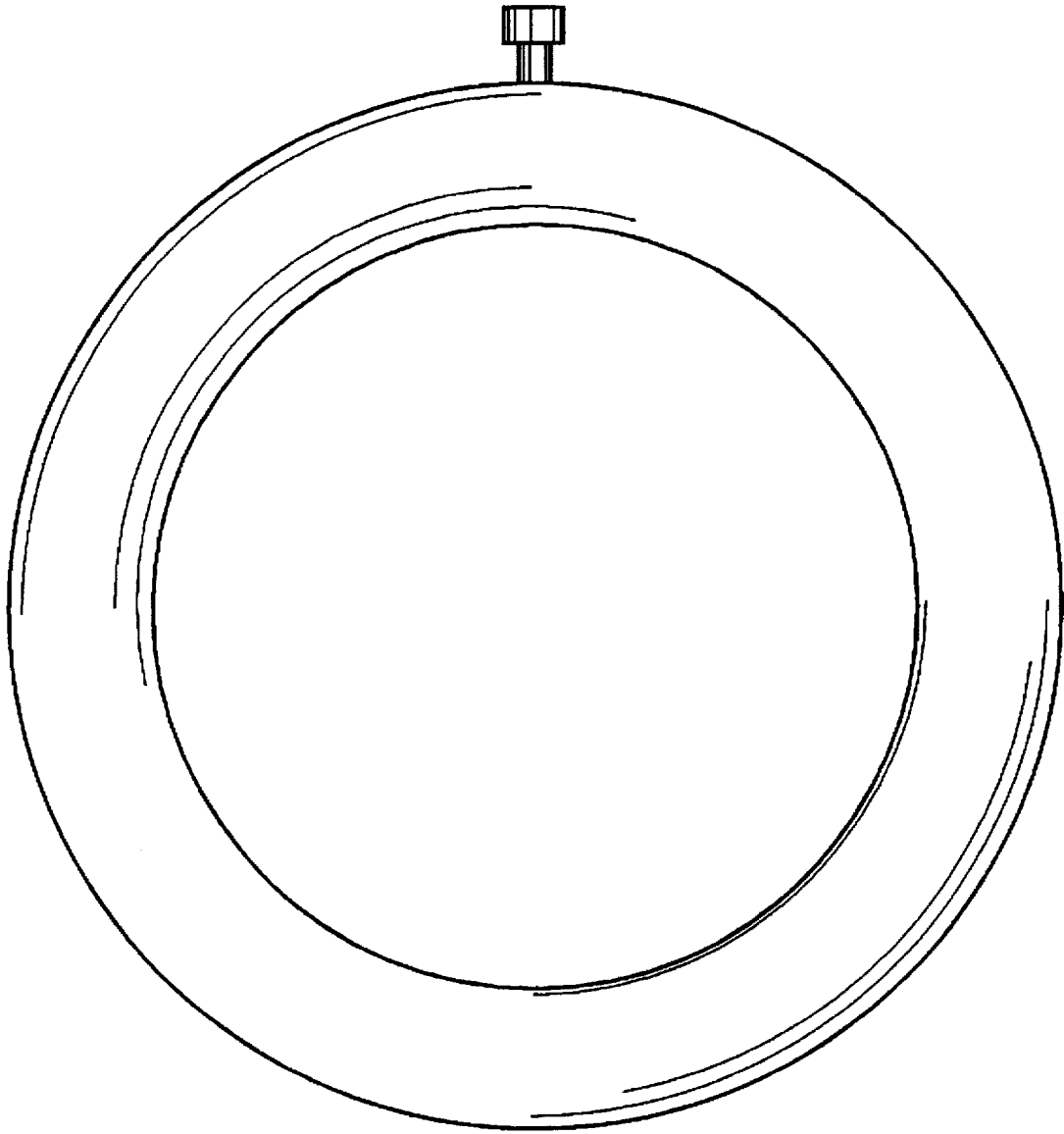


FIG. 3

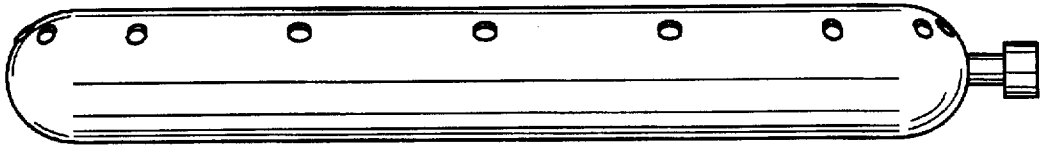


FIG. 4

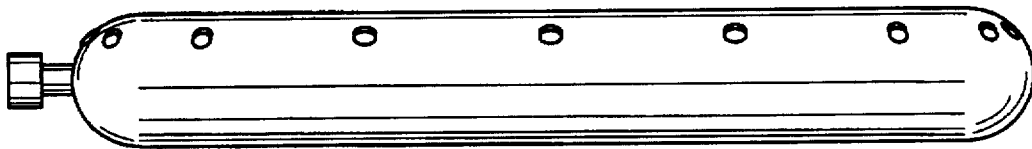


FIG. 5

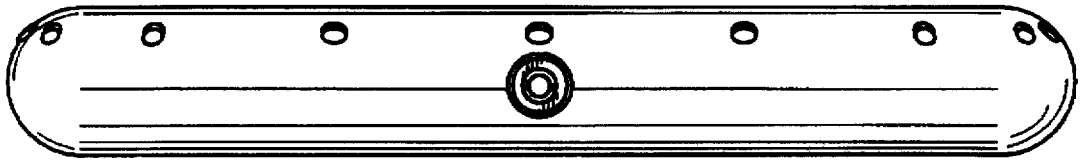


FIG. 6

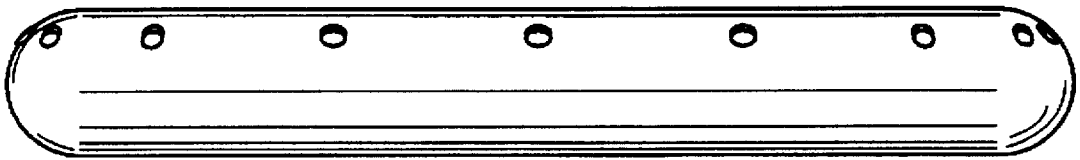


FIG. 7