



US00D417809S

United States Patent [19]
Hofman

[11] **Patent Number: Des. 417,809**
[45] **Date of Patent: ** Dec. 21, 1999**

- [54] **BATHTUB ORGANIZER**
- [75] Inventor: **James A. Hofman**, Hockessin, Del.
- [73] Assignee: **Zenith Products Corp.**, New Castle, Del.
- [**] Term: **14 Years**
- [21] Appl. No.: **29/089,936**
- [22] Filed: **Jun. 26, 1998**
- [51] **LOC (6) Cl.** **07-07**
- [52] **U.S. Cl.** **D6/525**
- [58] **Field of Search** D6/524, 525, 566;
108/14, 137, 143; 211/88, 106, 126.1, 126.9,
134

- D. 358,458 5/1995 Brightbill et al. D6/525
- D. 387,594 12/1997 Whang D6/525
- 4,053,954 10/1977 Chapman D6/525 X
- 4,939,799 7/1990 Van Hovel D6/525 X

Primary Examiner—Brian N. Vinson
Attorney, Agent, or Firm—Edgar A. Zarins; Lloyd D. Doigan

[57] **CLAIM**

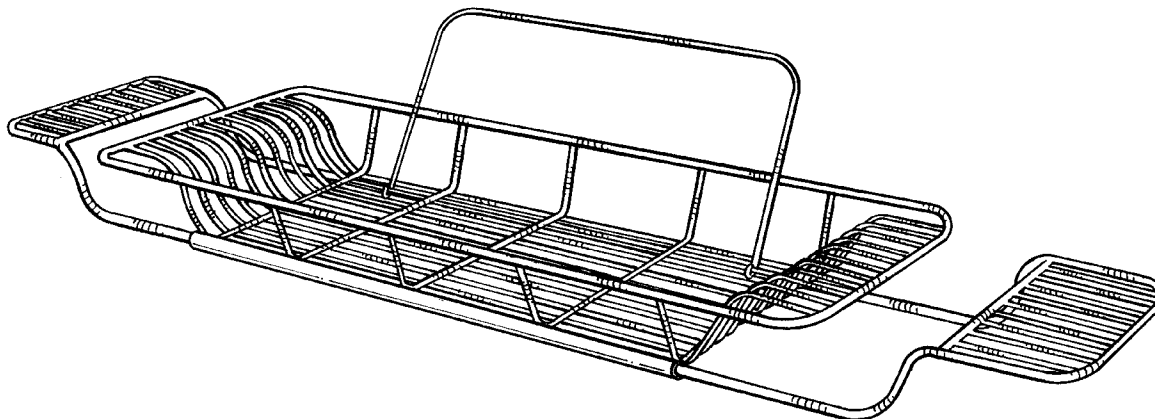
The ornamental design for a bathtub organizer, as shown and described.

DESCRIPTION

FIG. 1 is a perspective view of a bathtub organizer showing my new design;
FIG. 2 is a front elevational view thereof;
FIG. 3 is a top plan view thereof;
FIG. 4 is a rear elevational view thereof;
FIG. 5 is a bottom plan view thereof;
FIG. 6 is a right side view thereof; and,
FIG. 7 is a left side view thereof.

- [56] **References Cited**
U.S. PATENT DOCUMENTS
- D. 247,013 1/1978 Chapman D6/525
- D. 250,439 12/1978 Holstein D6/525
- D. 264,158 5/1982 Thompson D6/525

1 Claim, 3 Drawing Sheets



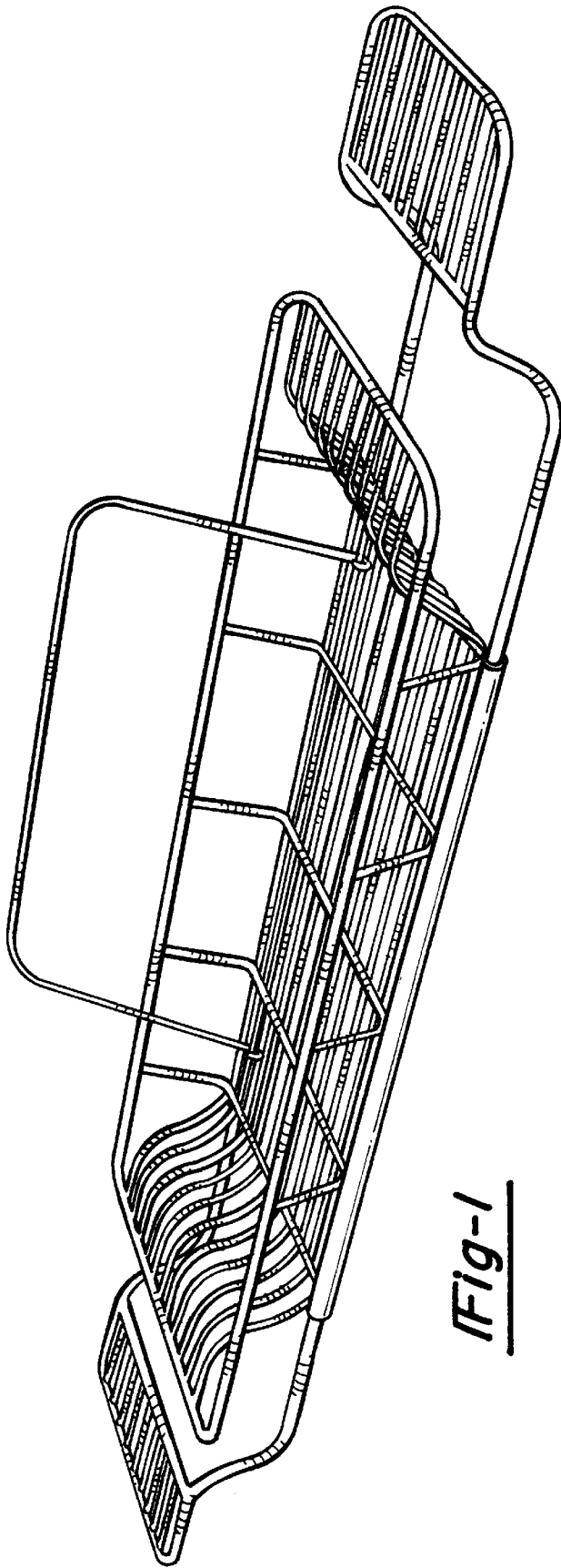


Fig-1

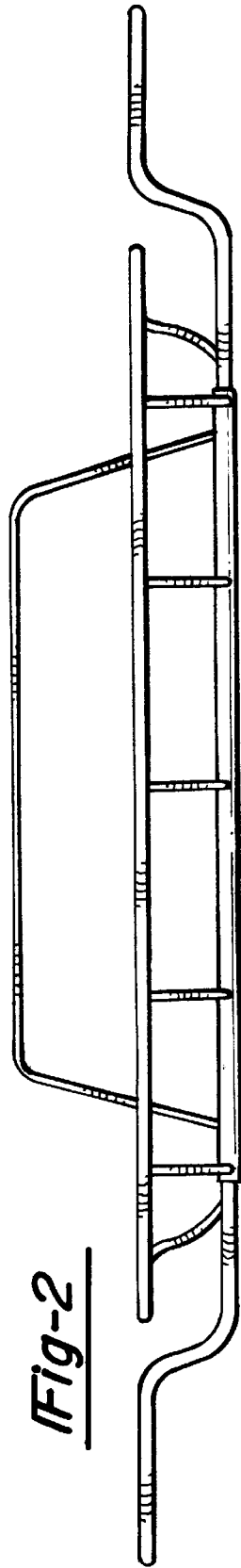


Fig-2

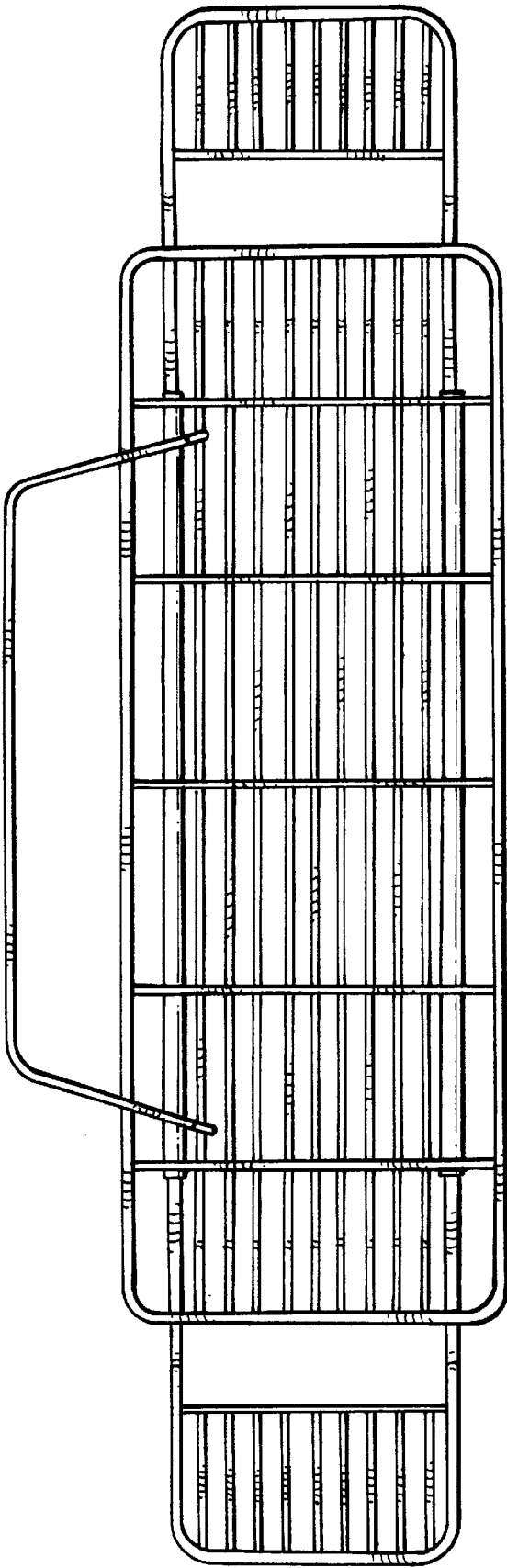


Fig-3

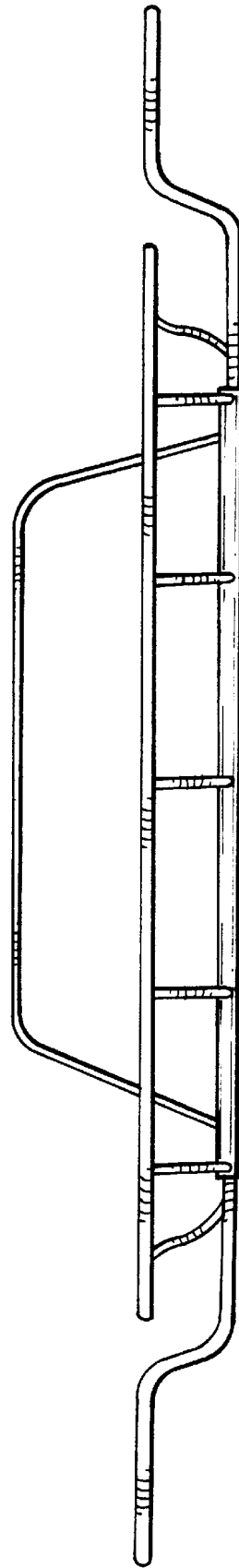


Fig-4

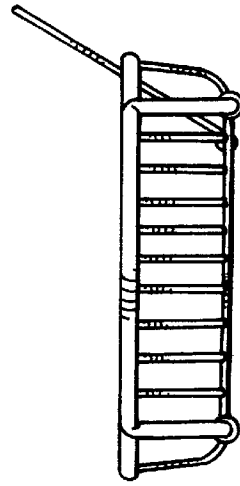
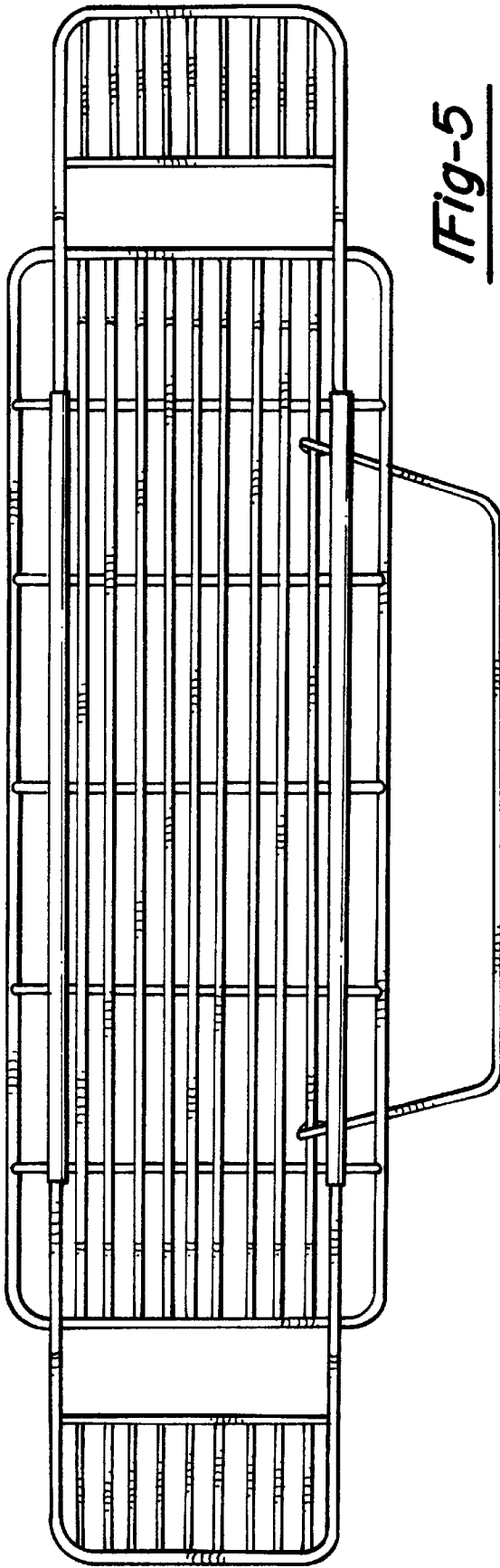


Fig-7

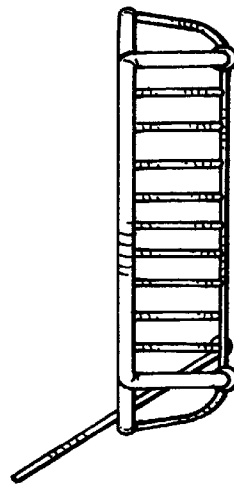


Fig-6