



US00D858790S

(12) **United States Design Patent** (10) **Patent No.:** **US D858,790 S**  
**Hsu** (45) **Date of Patent:** **\*\* Sep. 3, 2019**

(54) **TEST METER**  
(71) Applicant: **Bonraybio Co., Ltd.**, Taichung (TW)  
(72) Inventor: **Cheng-Teng Hsu**, Taichung (TW)  
(73) Assignee: **BONRAYBIO CO., LTD.**, Taichung (TW)  
(\*\*) Term: **15 Years**  
(21) Appl. No.: **29/598,215**

D780,137 S \* 2/2017 Tallqvist ..... D14/125  
D812,663 S \* 3/2018 Waters ..... D15/199  
D813,212 S \* 3/2018 Nangeroni ..... D14/240  
D813,866 S \* 3/2018 Elmieh ..... D14/356  
D815,070 S \* 4/2018 Elmieh ..... D14/225  
D816,049 S \* 4/2018 Kim ..... D13/184  
D816,224 S \* 4/2018 Wang ..... D24/165  
D821,374 S \* 6/2018 Jun ..... D14/242  
D821,983 S \* 7/2018 Shah ..... D13/168  
D823,913 S \* 7/2018 Chou ..... D15/146  
D825,551 S \* 8/2018 Akana ..... D14/314  
D825,558 S \* 8/2018 Peng ..... D14/367

(Continued)

(22) Filed: **Mar. 23, 2017**  
(51) **LOC (12) Cl.** ..... **24-02**  
(52) **U.S. Cl.**  
USPC ..... **D24/216**  
(58) **Field of Classification Search**  
USPC ..... D9/414, 423, 432; D10/46, 47, 61, 81,  
D10/100, 104.1; D14/299-302, 313, 314,  
D14/902; D15/122, 125, 199; D24/107,  
D24/121, 162, 163, 186, 216, 223-226,  
D24/231, 232, 234  
CPC ..... A61B 5/14532; A61B 2562/0295; B01L  
3/502; G06F 3/023; G01N 21/359; G01N  
21/5907; G01N 33/689; G01N 2800/367;  
G01N 2015/0693

See application file for complete search history.

(56) **References Cited**  
**U.S. PATENT DOCUMENTS**

D602,019 S \* 10/2009 Wang ..... D14/356  
D686,491 S \* 7/2013 Kuo ..... D9/432  
D705,719 S \* 5/2014 Wong ..... D13/103  
D707,226 S \* 6/2014 DePaula ..... D14/357  
D723,170 S \* 2/2015 Hsu ..... A61B 5/14532  
D24/169  
D741,703 S \* 10/2015 Janson ..... D9/424  
D747,227 S \* 1/2016 Fujiwara ..... D10/81  
D748,271 S \* 1/2016 Clowry ..... D24/186  
D758,366 S \* 6/2016 Peng ..... D14/363  
D763,104 S \* 8/2016 Akana ..... D9/756

**OTHER PUBLICATIONS**

Semen Quality Analyzer, posted on bonraybio.com, no posted date given, no production date given, [online], [site visited Apr. 19, 2019], Available from Internet, URL: <http://www.bonraybio.com/en/product.php?act=view&id=8> (Year: 2019).\*

*Primary Examiner* — Garth Rademaker  
*Assistant Examiner* — Fritzgerald L Butac  
(74) *Attorney, Agent, or Firm* — DLA Piper LLP (US)

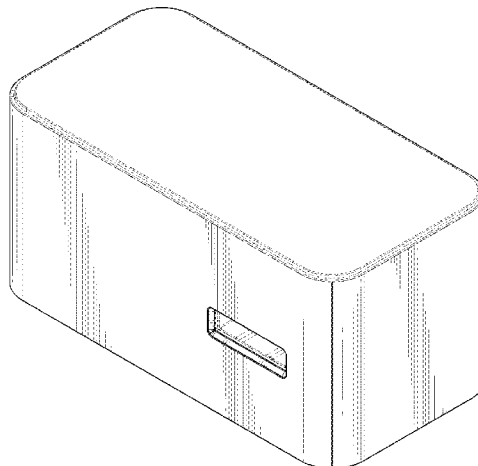
(57) **CLAIM**

The ornamental design for a test meter, as shown and described.

**DESCRIPTION**

FIG. 1 is a perspective view of a test meter showing my new design;  
FIG. 2 is a front elevational view thereof;  
FIG. 3 is a rear elevational view thereof;  
FIG. 4 is a left side elevational view thereof;  
FIG. 5 is a right side elevational view thereof;  
FIG. 6 is a top plan view thereof; and,  
FIG. 7 is a bottom plan view thereof.  
The broken lines show portions of a test meter that form no part of the claimed design.

**1 Claim, 7 Drawing Sheets**



(56)

**References Cited**

U.S. PATENT DOCUMENTS

D825,923	S	*	8/2018	Suomela	.....	D3/304
D830,868	S	*	10/2018	Kress	.....	D10/87
D831,479	S	*	10/2018	Lylyk	.....	D9/432
D831,612	S	*	10/2018	Usuru	.....	D14/214
D832,242	S	*	10/2018	Kwak	.....	D14/240
D834,979	S	*	12/2018	Zhang	.....	D10/106.95
D837,211	S	*	1/2019	Peng	.....	D14/365
D838,371	S	*	1/2019	Zhuang	.....	D24/167
D843,007	S	*	3/2019	Schulz	.....	D24/216
D844,578	S	*	4/2019	Seflic	.....	D14/125
2014/0213935	A1	*	7/2014	Hsu	.....	A61M 5/003 600/583

\* cited by examiner

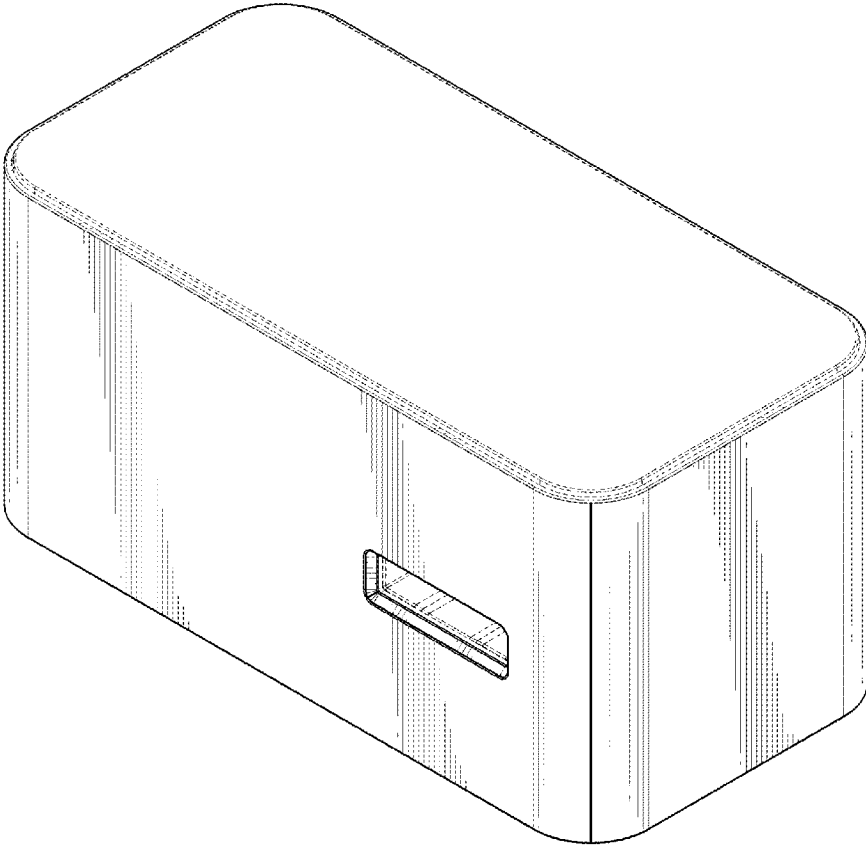


FIG.1

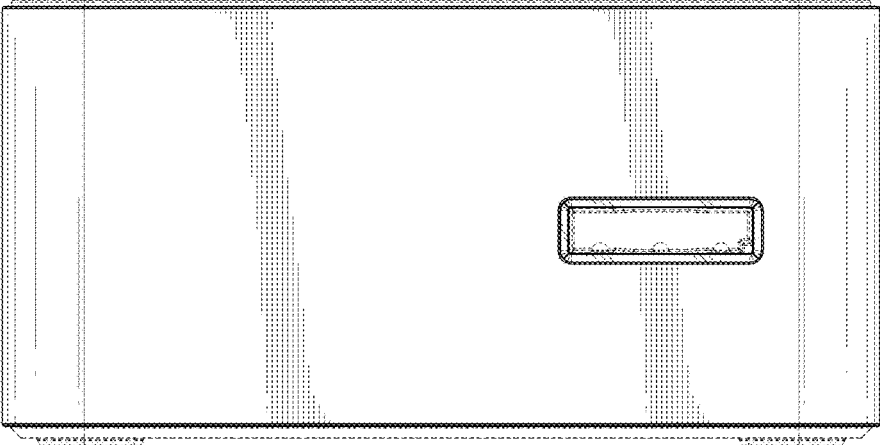


FIG.2

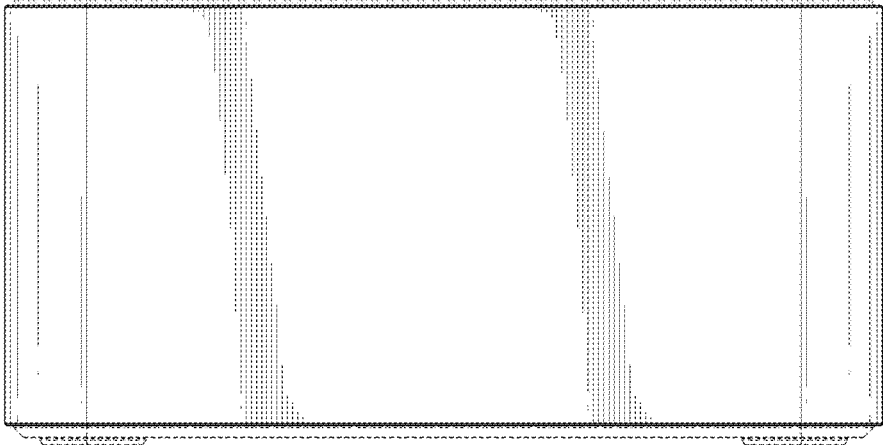


FIG.3

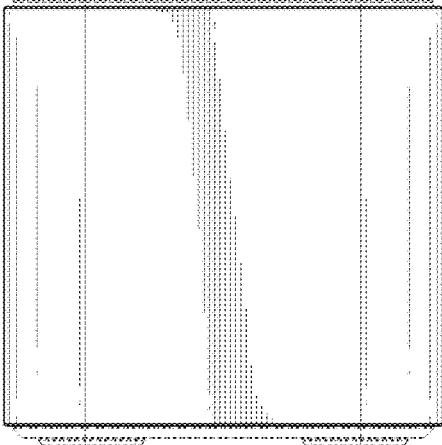


FIG.4

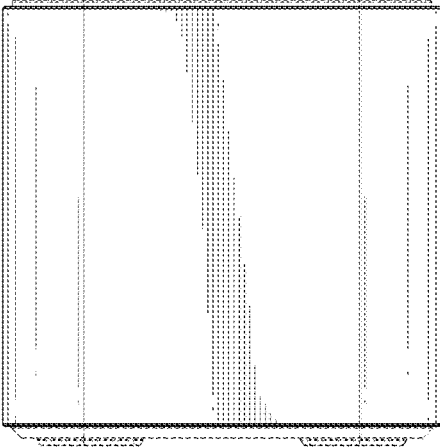


FIG.5

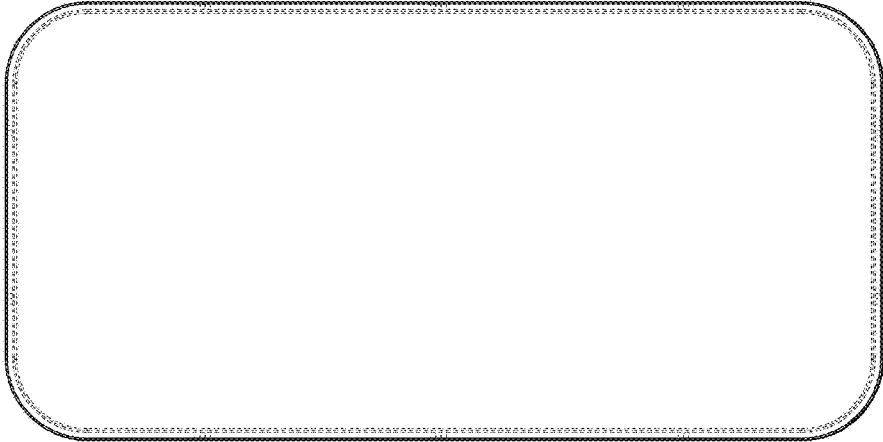


FIG.6



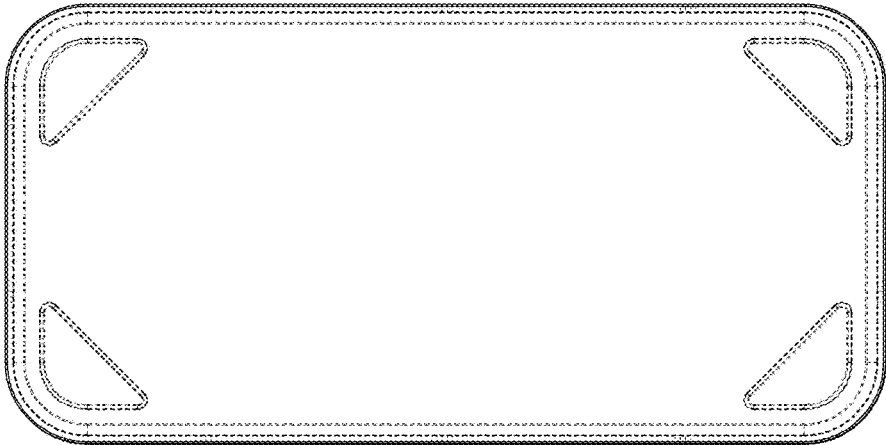


FIG. 7