



(12) **United States Design Patent**  
**Kelly**

(10) **Patent No.:** **US D913,785 S**  
(45) **Date of Patent:** **\*\* Mar. 23, 2021**

- (54) **SLIDE-OUT GIFT CARD HOLDER BOX**
- (71) Applicant: **American Greetings Corporation,**  
Cleveland, OH (US)
- (72) Inventor: **Charles Robert Kelly,** Amherst, OH  
(US)
- (73) Assignee: **American Greetings Corporation,**  
Cleveland, OH (US)
- (\*\*) Term: **15 Years**
- (21) Appl. No.: **29/761,756**
- (22) Filed: **Dec. 11, 2020**

**Related U.S. Application Data**

- (62) Division of application No. 29/695,912, filed on Jun. 24, 2019.
- (51) **LOC (13) Cl.** ..... **09-03**
- (52) **U.S. Cl.**  
USPC ..... **D9/432**
- (58) **Field of Classification Search**  
USPC .... D3/20, 207, 212, 230, 247; D9/414, 416,  
D9/420, 423, 432, 433, 456, 652, 711,  
D9/721; D19/1, 10, 106; D27/101, 172,  
D27/175, 183, 186, 187, 189, 191, 193;  
D6/672, 675  
CPC .. B42D 15/045; B42D 15/022; B42D 15/027;  
B42D 15/042; A24F 13/14; A24F 9/16;  
A24F 15/00; A24F 15/12; A24F 15/14;  
A24F 15/18; A24F 15/005; A24F 15/20;  
A24F 23/00; A24F 23/04; A63H 3/18;  
B42F 7/02; B42F 7/06; B65D 5/56;  
B65D 5/66; B65D 5/64; B65D 5/541;  
B65D 5/4204; B65D 5/4233; B65D  
5/4258; B65D 5/5213; B65D 73/0007;  
B65D 73/0092; B65D 85/1045; B65D  
75/5838

See application file for complete search history.

(56) **References Cited**

U.S. PATENT DOCUMENTS

- 1,897,672 A \* 2/1933 Neumann ..... B65D 5/504  
206/315.2
- 6,491,211 B1 \* 12/2002 Evans ..... B65D 5/38  
206/532

(Continued)

FOREIGN PATENT DOCUMENTS

- GB 6078065 \* 11/2019
- GB 6078066 \* 11/2019

*Primary Examiner* — Catherine S Posthauer  
*Assistant Examiner* — Riah D Buchanan  
(74) *Attorney, Agent, or Firm* — Christine Flanagan

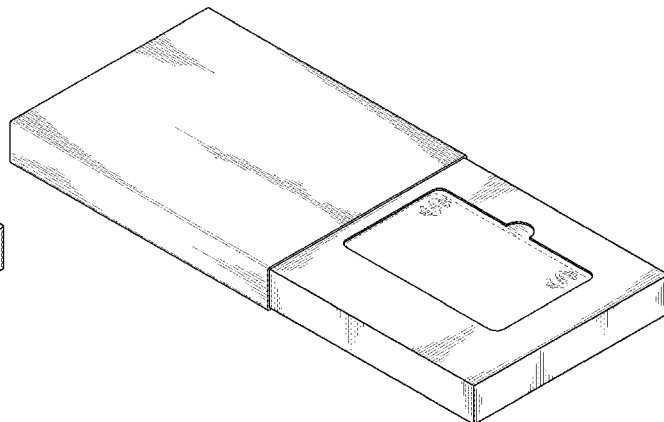
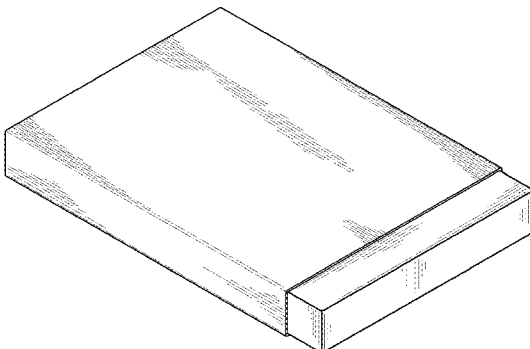
(57) **CLAIM**

The ornamental design for a slide-out gift card holder box, as shown and described.

**DESCRIPTION**

FIG. 1 is a perspective view of the slide-out gift card holder box of the present invention, in a closed position.  
 FIG. 2 is a front view of the slide-out gift card holder box of FIG. 1.  
 FIG. 3 is a rear view of the slide-out gift card holder box of FIG. 1.  
 FIG. 4 is a top view of the slide-out gift card holder box of FIG. 1.  
 FIG. 5 is a left side view of the slide-out gift card holder box of FIG. 1.  
 FIG. 6 is a right side view of the slide-out gift card holder box of FIG. 1.  
 FIG. 7 is a perspective view of the slide-out gift card holder box; and,  
 FIG. 8 is a front view of the slide-out gift card holder box of FIG. 7.  
 The broken lines are for the purpose of illustrating the environment of the design only and form no part of the claimed design.

**1 Claim, 3 Drawing Sheets**



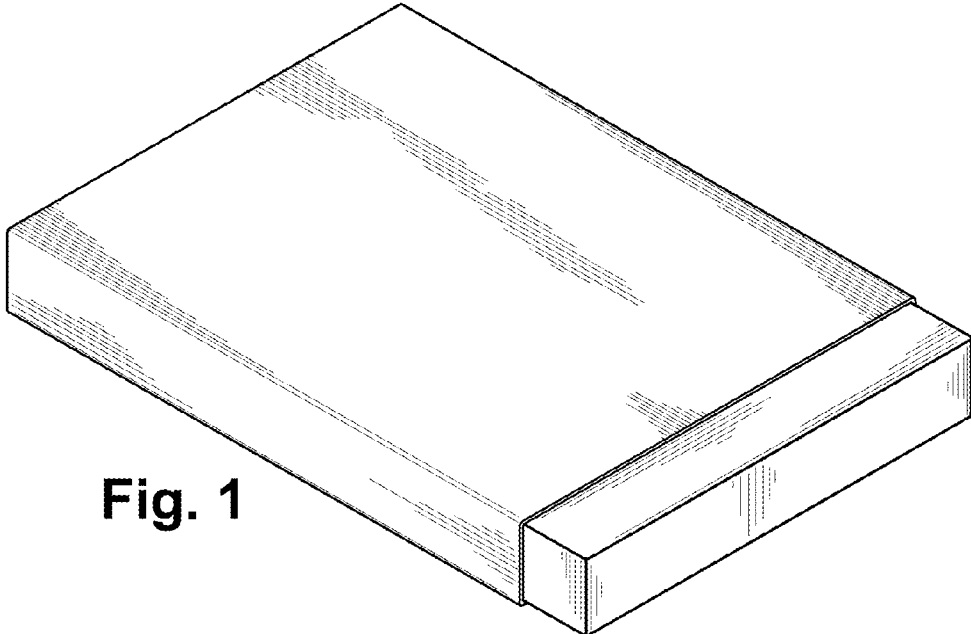
(56)

References Cited

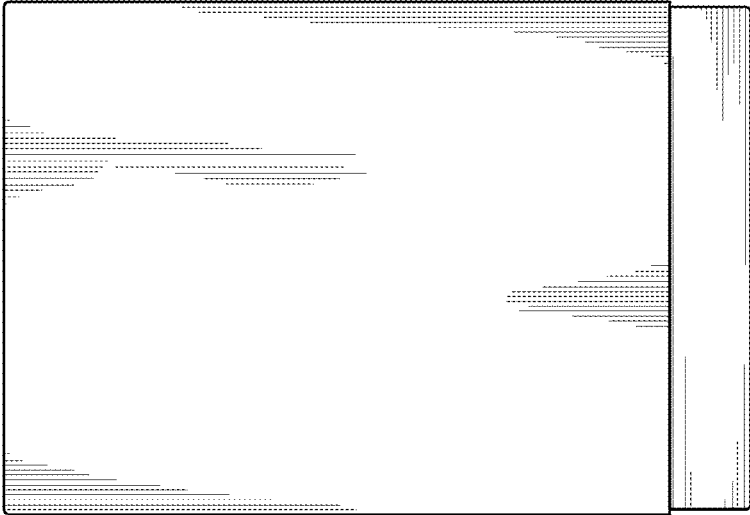
U.S. PATENT DOCUMENTS

D589,546 S *	3/2009	Levine	D16/135	D889,967 S *	7/2020	Glass	D9/456
D594,742 S *	6/2009	Meier	D9/432	D889,993 S *	7/2020	Lofrisco	D9/721
7,832,624 B2 *	11/2010	Kong	B65D 5/38	D895,439 S *	9/2020	Meech	D9/748
			229/125.125	D899,247 S *	10/2020	Kilduff	D9/432
D657,817 S *	4/2012	Mayer	D19/1	D904,186 S *	12/2020	Willshire	D9/432
8,245,841 B2 *	8/2012	Agirbas	B65D 5/728	D904,869 S *	12/2020	Nelson	D9/415
			206/268	2005/0011802 A1 *	1/2005	Chan	B42D 15/045
8,322,058 B2 *	12/2012	Mayer	G09F 1/00				206/525
			40/491	2005/0089605 A1 *	4/2005	Siethoff	B42D 15/045
D682,474 S *	5/2013	Owen	D28/83				426/106
D723,390 S *	3/2015	Eriksson	D9/732	2007/0095711 A1 *	5/2007	Thompson	B65D 5/5088
D729,636 S *	5/2015	Steinberger	D9/737				206/522
9,027,269 B2 *	5/2015	Budzar	B42D 25/22	2007/0181458 A1 *	8/2007	Ehrlund	B65D 5/38
			40/124.03				206/528
D747,190 S *	1/2016	DeLaGrange	D9/432	2008/0156686 A1 *	7/2008	Hluchan	A45C 11/24
D748,978 S *	2/2016	Glass	D9/432				206/528
D751,893 S *	3/2016	Barad	D9/422	2012/0067747 A1 *	3/2012	Van Geer	A45C 11/182
D806,532 S *	1/2018	Richmond	D9/420				206/39
D810,562 S *	2/2018	Augustyniak	D9/432	2013/0220880 A1 *	8/2013	Glass	B65D 5/38
D831,108 S *	10/2018	Dennis	D19/1				206/767
D831,480 S *	10/2018	Arazi	D9/433	2014/0216982 A1 *	8/2014	Boyer	B42D 15/045
D843,827 S *	3/2019	Nelson	D9/415				206/758
D844,714 S *	4/2019	Witze	D21/480	2015/0203242 A1 *	7/2015	Magnusson	B65D 5/38
D866,311 S *	11/2019	Ito	D9/416				53/492
D867,129 S *	11/2019	Chambers	D9/432	2015/0314950 A1 *	11/2015	Lopez	B42D 15/045
D873,819 S *	1/2020	Harsacky	D14/348				206/232
				2017/0137167 A1 *	5/2017	Warner	B65D 43/22

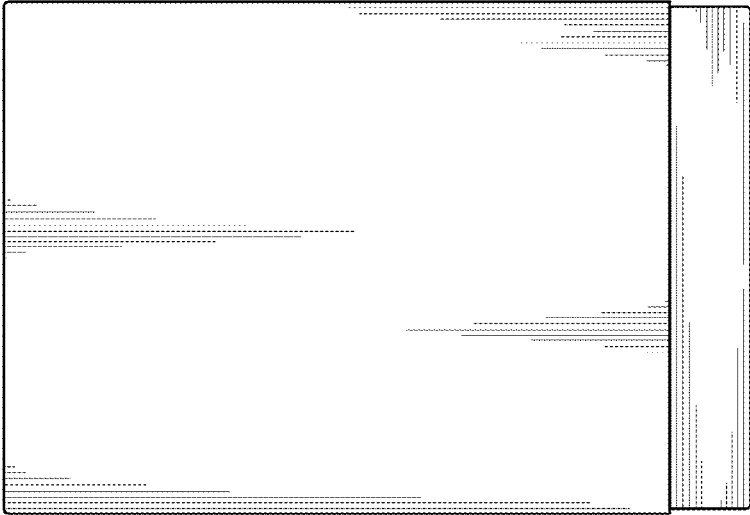
\* cited by examiner



**Fig. 1**



**Fig. 2**



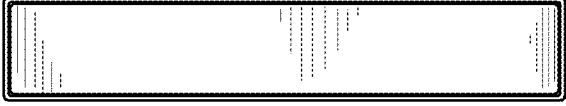
**Fig. 3**



**Fig. 4**



**Fig. 5**



**Fig. 6**

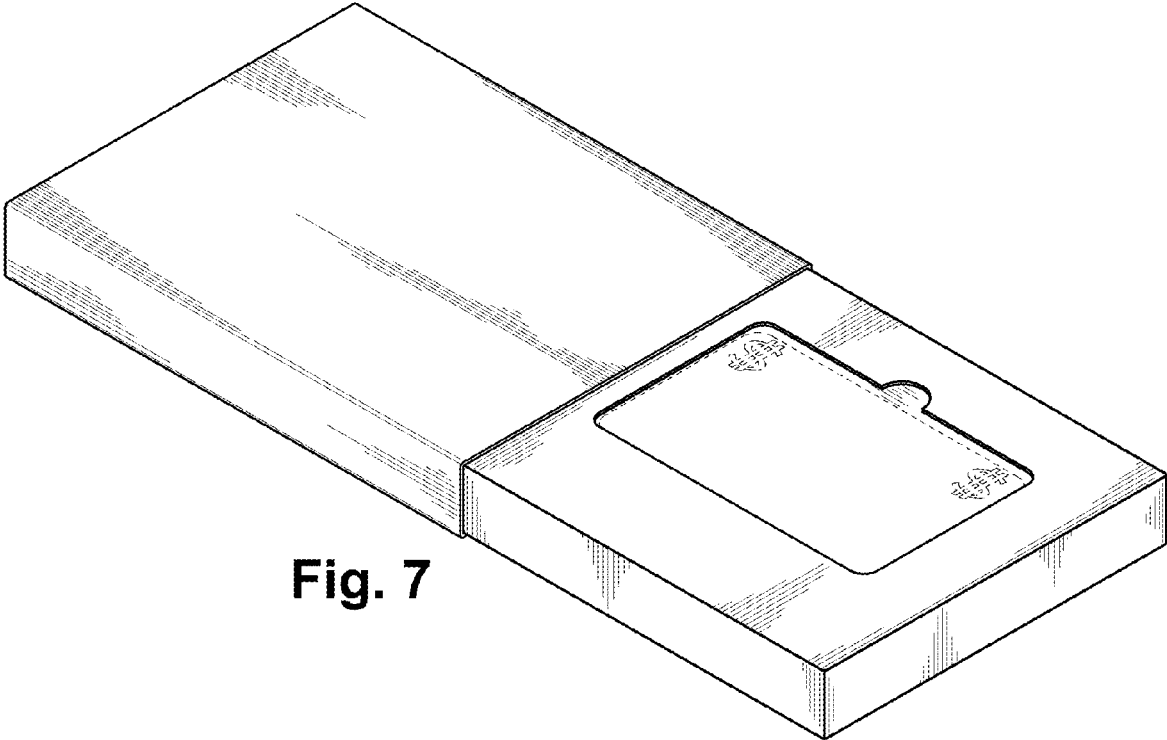


Fig. 7

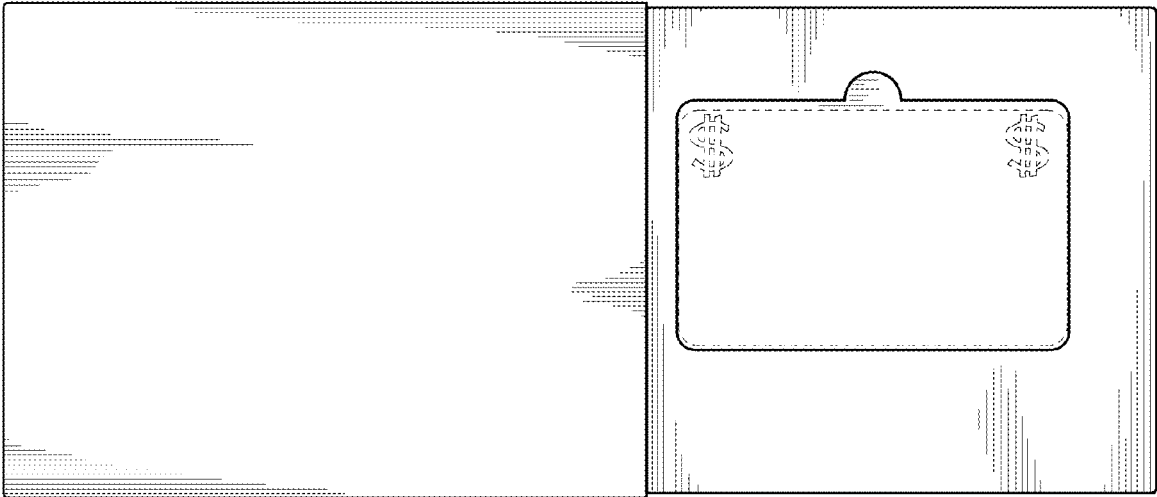


Fig. 8