



US00D422880S

United States Patent [19] Matyko

[11] Patent Number: **Des. 422,880**

[45] Date of Patent: **** Apr. 18, 2000**

[54] **UPPER PORTION OF A PADLOCK BODY**

[75] Inventor: **Adalbert Matyko**, Ashdod, Israel

[73] Assignee: **Mul-T-Lock Technologies Ltd.**, Yavne, Israel

[**] Term: **14 Years**

[21] Appl. No.: **29/088,931**

[22] Filed: **Jun. 4, 1998**

[30] Foreign Application Priority Data

Dec. 8, 1997 [IL] Israel 28945

[51] **LOC (6) Cl.** **08-07**

[52] **U.S. Cl.** **D8/334**

[58] **Field of Search** D8/334, 343; 70/31, 70/35, 20, 51, 52, 56

[56] References Cited

U.S. PATENT DOCUMENTS

D. 296,519 7/1988 Newman et al. D8/334
D. 314,908 2/1991 Pedersen D8/334

D. 342,009	12/1993	Lebrecht et al.	D8/334
3,835,675	9/1974	Lippisch	70/56 X
3,858,923	1/1975	Bunn	70/56 X
4,689,975	9/1987	Dunphy et al.	70/56
5,655,391	8/1997	Long	70/56

Primary Examiner—Brian N. Vinson
Attorney, Agent, or Firm—Lilling & Lilling, P.C.

[57] CLAIM

The ornamental design for an upper portion of a padlock body, as shown and described.

DESCRIPTION

FIG. 1 is a top, front and left side perspective view of a padlock body showing my new design; FIG. 2 is right side elevational view thereof, the left side being a mirror image of that shown; FIG. 3 is a rear elevational view thereof; FIG. 4 is a bottom plan view thereof; FIG. 5 is a left side elevational view thereof; FIG. 6 is a front elevational view thereof; and, FIG. 7 is a top plan view thereof.

1 Claim, 2 Drawing Sheets

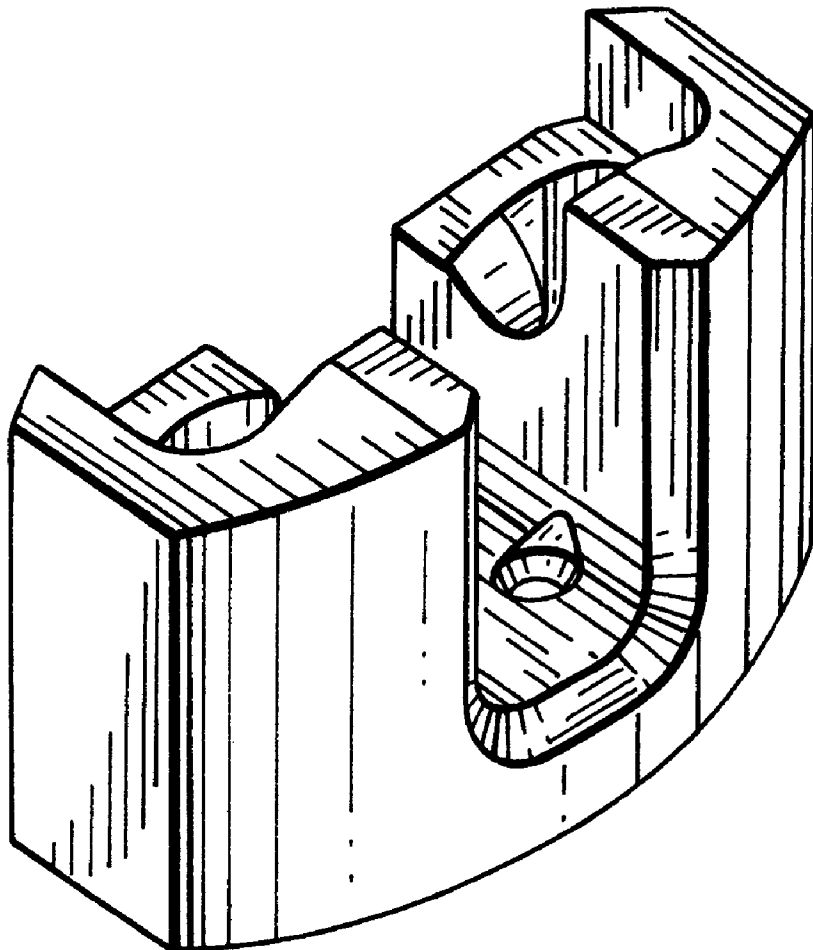


FIG. 1

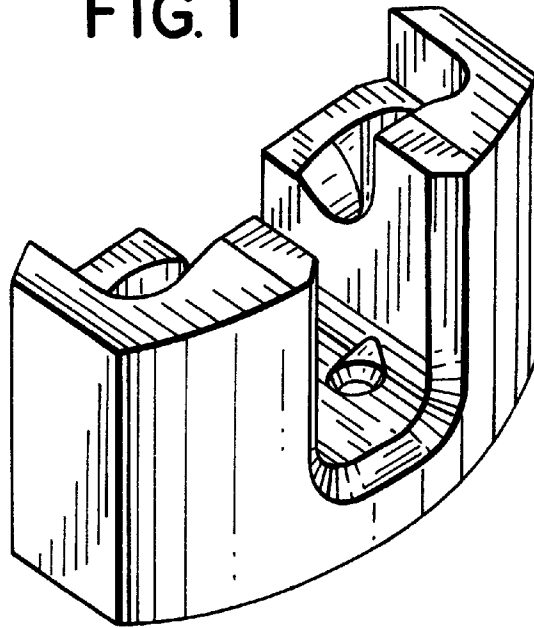


FIG. 2

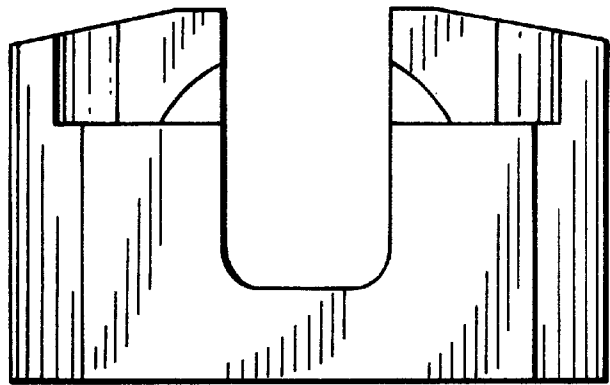


FIG. 3

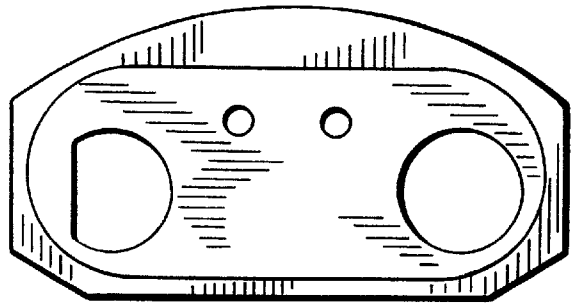


FIG. 4

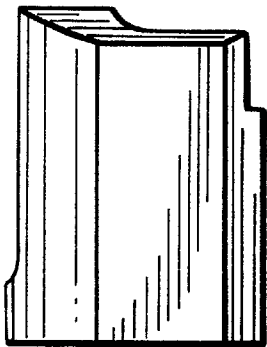


FIG. 5

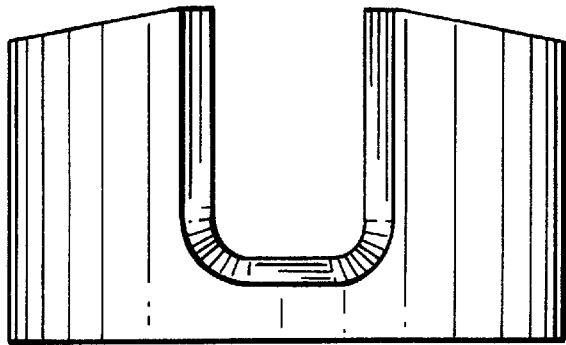


FIG. 6

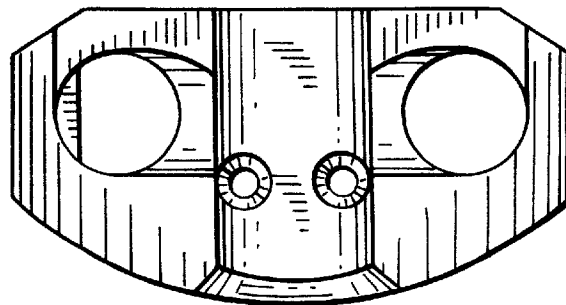


FIG. 7