



US00D580193S

(12) **United States Design Patent**
Sparkowski

(10) **Patent No.:** **US D580,193 S**

(45) **Date of Patent:** **** Nov. 11, 2008**

(54) **DISPLAY RACK**

(75) Inventor: **Robert P. Sparkowski**, Schaumburg, IL
(US)

(73) Assignee: **Chicago Display Marketing Corporation**, River Grove, IL (US)

(**) Term: **14 Years**

(21) Appl. No.: **29/267,932**

(22) Filed: **Oct. 25, 2006**

(51) **LOC (8) Cl.** **06-04**

(52) **U.S. Cl.** **D6/463**

(58) **Field of Classification Search** D6/449,
D6/455, 457, 470, 472, 475, 416, 417, 462,
D6/464-465, 474, 537, 562, 566, 567, 574,
D6/304-306, 468, 44, 436, 478, 467, 396,
D6/397, 479, 477, 466, 473, 463; 108/91-93,
108/107, 144.11, 149, 59, 161, 111, 2, 108;
248/156, 153, 235, 243; 312/107, 114, 117,
312/138.1, 204, 234; 52/165, 166; 211/59.4,
211/85.1, 135, 163, 69, 85.5, 85.2, 13.1,
211/153, 186-190, 194, 85.3, 86.01, 87.01,
211/90.01, 90.03, 134, 181.1; D3/10

See application file for complete search history.

(56) **References Cited**

U.S. PATENT DOCUMENTS

725,851 A	4/1903	Kopp
D89,907 S	5/1933	McGarry
1,971,744 A	8/1934	Brykczynski et al.
D114,228 S	4/1939	May
D130,415 S	11/1941	Pitner et al.
2,316,892 A	4/1943	Saul, Jr.

D154,111 S	6/1949	Falkenberg	
D162,990 S *	4/1951	Roeder	D6/463
2,579,704 A	12/1951	Saul, Jr.	
2,648,442 A	8/1953	Lowmaster	
D180,617 S *	7/1957	Patterson	D6/464

(Continued)

Primary Examiner—Robert M Spear
Assistant Examiner—Katrina A Kile
(74) *Attorney, Agent, or Firm*—Michael Best & Friedrich LLP

(57) **CLAIM**

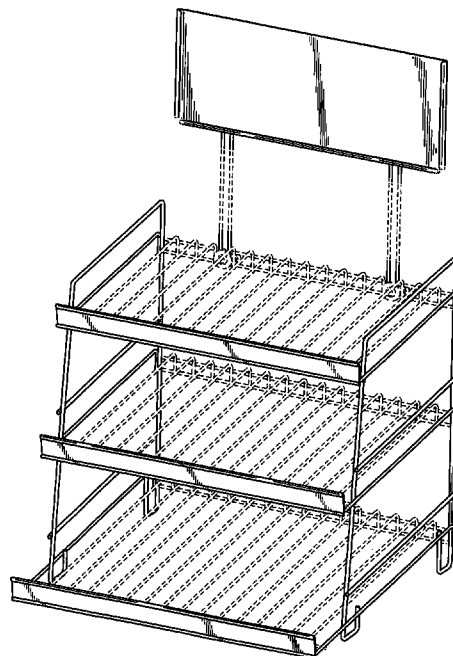
The ornamental design for a display rack, as shown and described.

DESCRIPTION

FIG. 1 is a perspective view;
FIG. 2 is a front view;
FIG. 3 is a side view, the opposite side view being a mirror image thereof;
FIG. 4 is a top view;
FIG. 5 is a rear view;
FIG. 6 is a bottom view;
FIG. 7 is a perspective view of the display rack of FIGS. 1-6, with the display panel in a lowered position; and,
FIG. 8 is a front view of the display rack of FIG. 7.

The broken lines shown in the two vertical support elements indicate that there is no particular height claimed. The downward sloping broken lines show the display rack support bars and form no part of the claimed design. -

1 Claim, 8 Drawing Sheets



US D580,193 S

U.S. PATENT DOCUMENTS					
D182,696	S *	4/1958 Strauss	D3/315	5,240,127	A 8/1993 Levin et al.
D184,190	S	12/1958 McCowan		5,273,248	A 12/1993 Grander
2,918,295	A *	12/1959 Milner	280/652	5,326,062	A 7/1994 Remmers
2,958,424	A *	11/1960 Bigatti	211/41.5	5,351,842	A 10/1994 Remmers
2,959,298	A	11/1960 Pope		5,383,562	A 1/1995 Gay
D190,107	S	4/1961 Glaser		5,397,087	A 3/1995 Teece
3,081,718	A	3/1963 Shoffner		5,450,971	A 9/1995 Boron et al.
3,186,527	A	6/1965 Konstant et al.		5,480,039	A 1/1996 Merl
3,199,683	A	8/1965 Graswich		5,482,168	A 1/1996 Welch et al.
3,294,351	A	12/1966 Rollins, Jr.		D369,036	S 4/1996 Wyatt et al.
3,311,072	A	3/1967 Pattison		D369,037	S 4/1996 Wyatt et al.
3,403,789	A	10/1968 Morte et al.		D373,913	S 9/1996 Wyatt et al.
3,527,339	A	9/1970 Ambertson		5,601,038	A 2/1997 Welch et al.
D220,345	S *	3/1971 Burke	D6/463	5,628,257	A 5/1997 Conner et al.
3,575,484	A	4/1971 Kesling		5,641,083	A 6/1997 Metcalf
3,640,389	A	2/1972 Snyder		5,645,182	A 7/1997 Miller, Jr. et al.
3,730,467	A	5/1973 Dutchburn		5,704,497	A 1/1998 Wyatt
D233,380	S	10/1974 Hyman		5,718,441	A 2/1998 Kern et al.
3,891,228	A	6/1975 Rhinehart et al.		5,797,502	A 8/1998 Brady et al.
3,915,097	A	10/1975 Young, Jr.		5,806,820	A 9/1998 Simon
3,953,044	A	4/1976 Wilson		5,868,263	A 2/1999 McAllister et al.
3,993,002	A	11/1976 Stroh		5,899,041	A 5/1999 Durin
4,004,819	A	1/1977 Brongo		5,915,097	A 6/1999 Young, Jr.
D243,891	S	4/1977 Snyder		6,095,347	A 8/2000 Mauro-Vetter
4,045,043	A	8/1977 Fourrey		D430,432	S 9/2000 Mason
D246,773	S	12/1977 Bladis		6,116,436	A 9/2000 Ferrucci et al.
4,086,858	A	5/1978 Howitt		D431,937	S 10/2000 Heiny et al.
4,093,077	A	6/1978 Strasser		D432,332	S 10/2000 Kashima
4,109,797	A	8/1978 Brunette		D435,743	S 1/2001 Glauth et al.
D249,615	S *	9/1978 Frisbey	D6/463	D436,756	S 1/2001 Kashima
4,122,955	A	10/1978 Celms		6,203,029	B1 3/2001 Ondrasik
D252,967	S	9/1979 Denhoff		6,299,001	B1 10/2001 Frolov et al.
4,231,301	A	11/1980 Barrineau, III		D451,024	S 11/2001 Glauth et al.
D259,161	S	5/1981 Thauer		D451,704	S 12/2001 Curci
4,292,902	A	10/1981 Barrineau		6,332,547	B1 12/2001 Shaw et al.
4,297,952	A	11/1981 Zagaroli		6,364,137	B1 4/2002 Glauth et al.
4,302,025	A	11/1981 Waddell et al.		6,386,096	B1 5/2002 Tiemann
4,397,606	A	8/1983 Bruton		6,419,098	B1 7/2002 Hall
4,428,304	A	1/1984 Moser		D478,739	S 8/2003 Sparkowski
4,444,323	A	4/1984 Travis		D478,745	S 8/2003 Sparkowski
4,492,169	A	1/1985 Ware et al.		6,605,777	B1 8/2003 Anderson et al.
D282,127	S	1/1986 Weiller		6,607,083	B1 8/2003 Webb
4,588,096	A	5/1986 Story et al.		6,669,213	B2 12/2003 Woerner
4,606,280	A	8/1986 Poulton et al.		D486,982	S 2/2004 Hessell
D285,991	S	10/1986 Madsen		6,726,035	B2 4/2004 Zadak
4,624,376	A	11/1986 Bertram		6,729,484	B2 5/2004 Sparkowski
4,627,542	A	12/1986 Fredrickson		6,749,208	B2 6/2004 Orozco et al.
D288,038	S	2/1987 Henning		6,773,081	B2 8/2004 Yuyama et al.
D288,640	S	3/1987 Campbell		D497,738	S 11/2004 Sparkowski
D289,353	S	4/1987 Davis et al.		6,811,163	B1 11/2004 Guruleet et al.
4,776,472	A	10/1988 Rosen		6,811,164	B2 11/2004 Trogstam
D306,805	S	3/1990 Larson et al.		D500,419	S 1/2005 Sparkowski
D306,942	S *	4/1990 Patke	D6/463	6,874,430	B1 4/2005 McCandless
4,932,333	A	6/1990 Jensen et al.		6,880,708	B2 4/2005 Boron
4,951,827	A	8/1990 Moransais		6,883,881	B2 4/2005 Gauss
4,986,555	A	1/1991 Andreen		6,918,498	B2 7/2005 Sparkowski
D315,459	S	3/1991 Young et al.		6,935,523	B2 8/2005 Ahn
4,996,929	A	3/1991 Saal		D515,336	S 2/2006 Sparkowski
4,999,862	A	3/1991 Hefty		D520,265	S 5/2006 Sparkowski
D317,094	S *	5/1991 Weinberg et al.	D6/463	D524,573	S * 7/2006 Robinson et al.
D318,585	S	7/1991 Duff et al.		D526,818	S 8/2006 Sparkowski
5,029,895	A	7/1991 Anderson		D534,375	S 1/2007 Sparkowski
5,062,605	A	11/1991 Muhlethaler		D534,376	S 1/2007 Sparkowski
5,072,839	A	12/1991 Arnone		D547,093	S * 7/2007 Butters
D325,480	S	4/1992 Krautsack		D573,369	S * 7/2008 Sparkowski
D326,970	S	6/1992 Allen		2002/0130098	A1 9/2002 Simard
5,160,051	A	11/1992 Bustos		2004/0007549	A1 1/2004 Klein et al.
D331,336	S *	12/1992 Keong	D6/464	2004/0011752	A1 1/2004 Zadak
D334,859	S	4/1993 Homann		2004/0089625	A1 5/2004 Tsai

* cited by examiner

FIG. 1

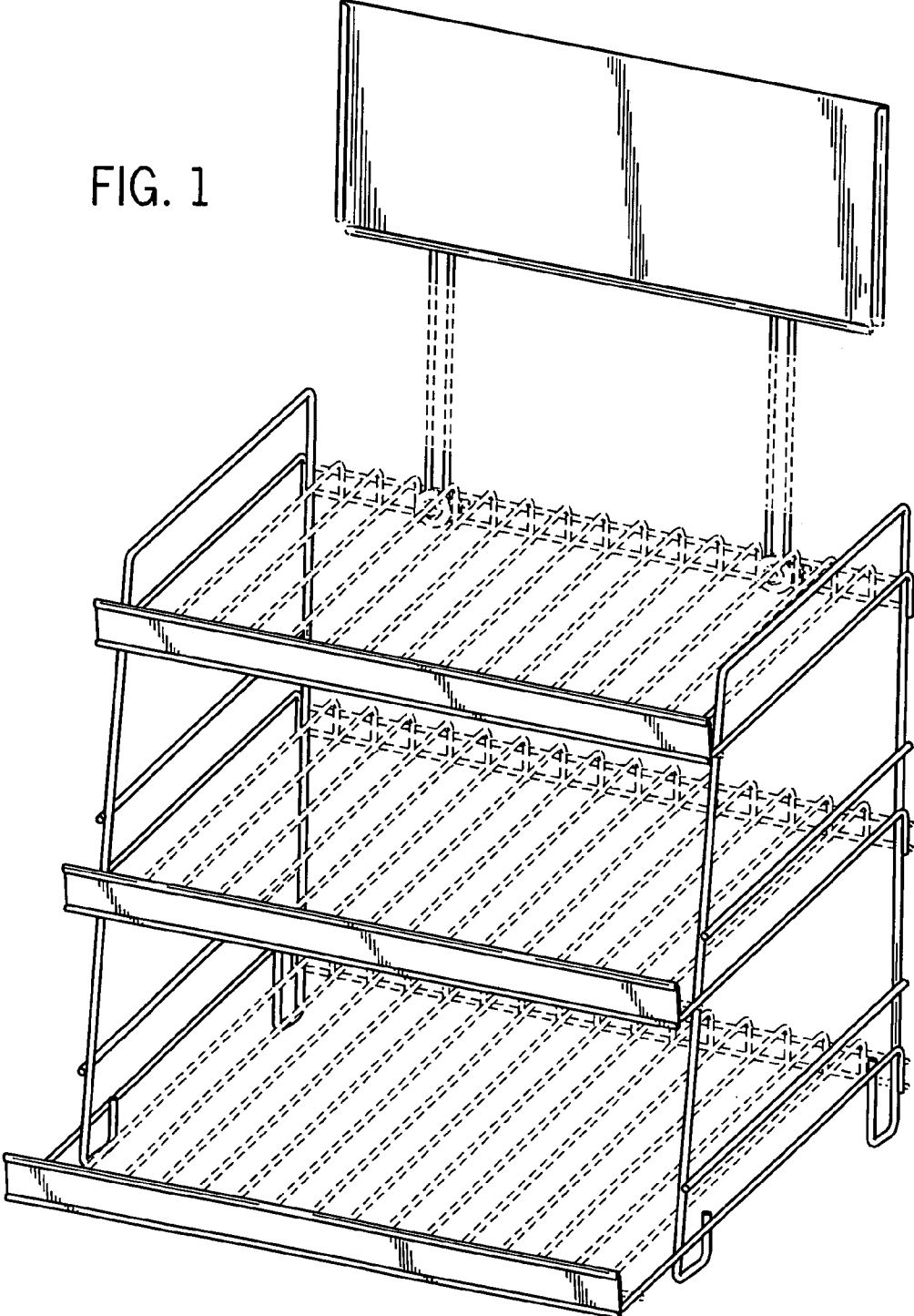


FIG. 2

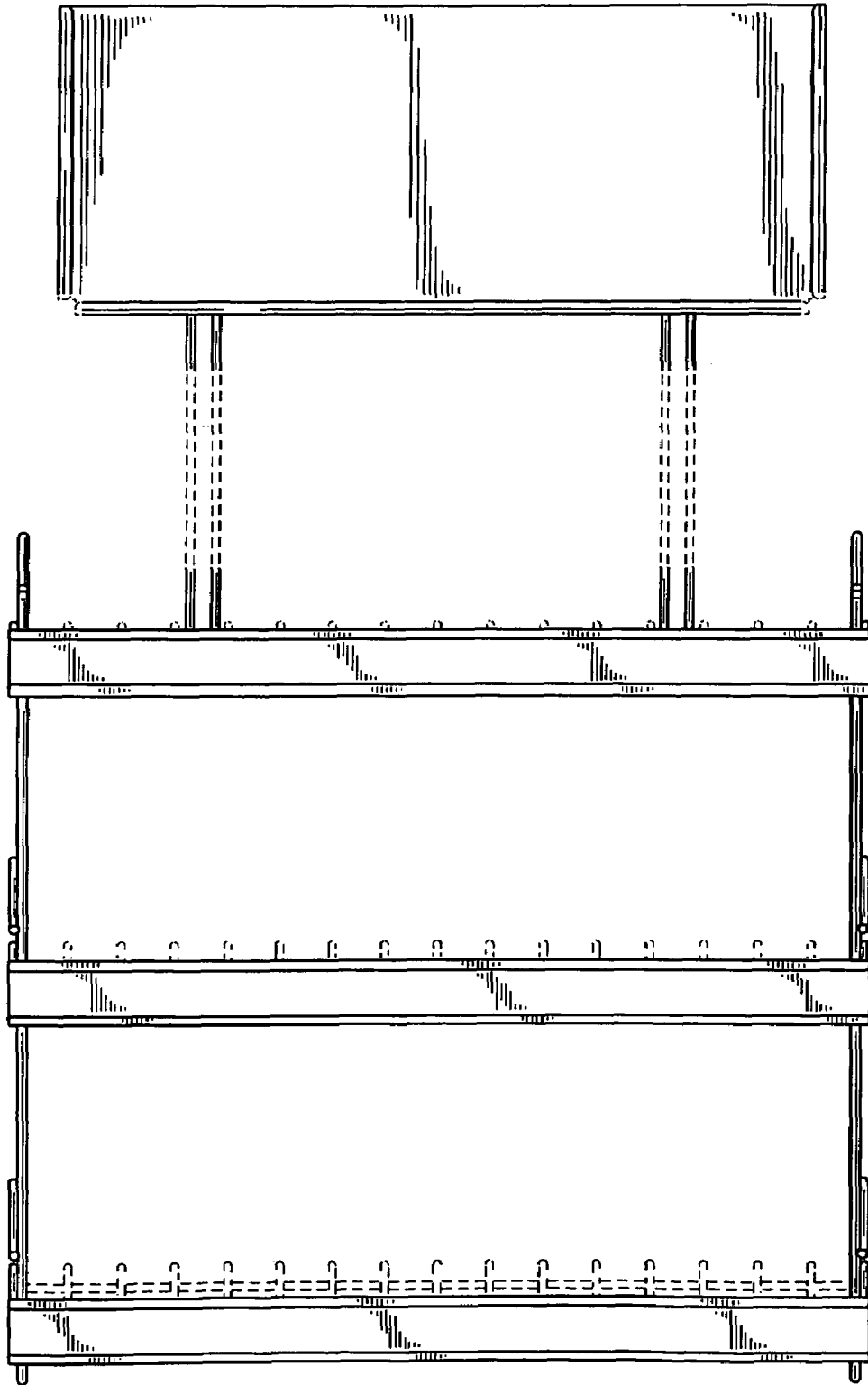
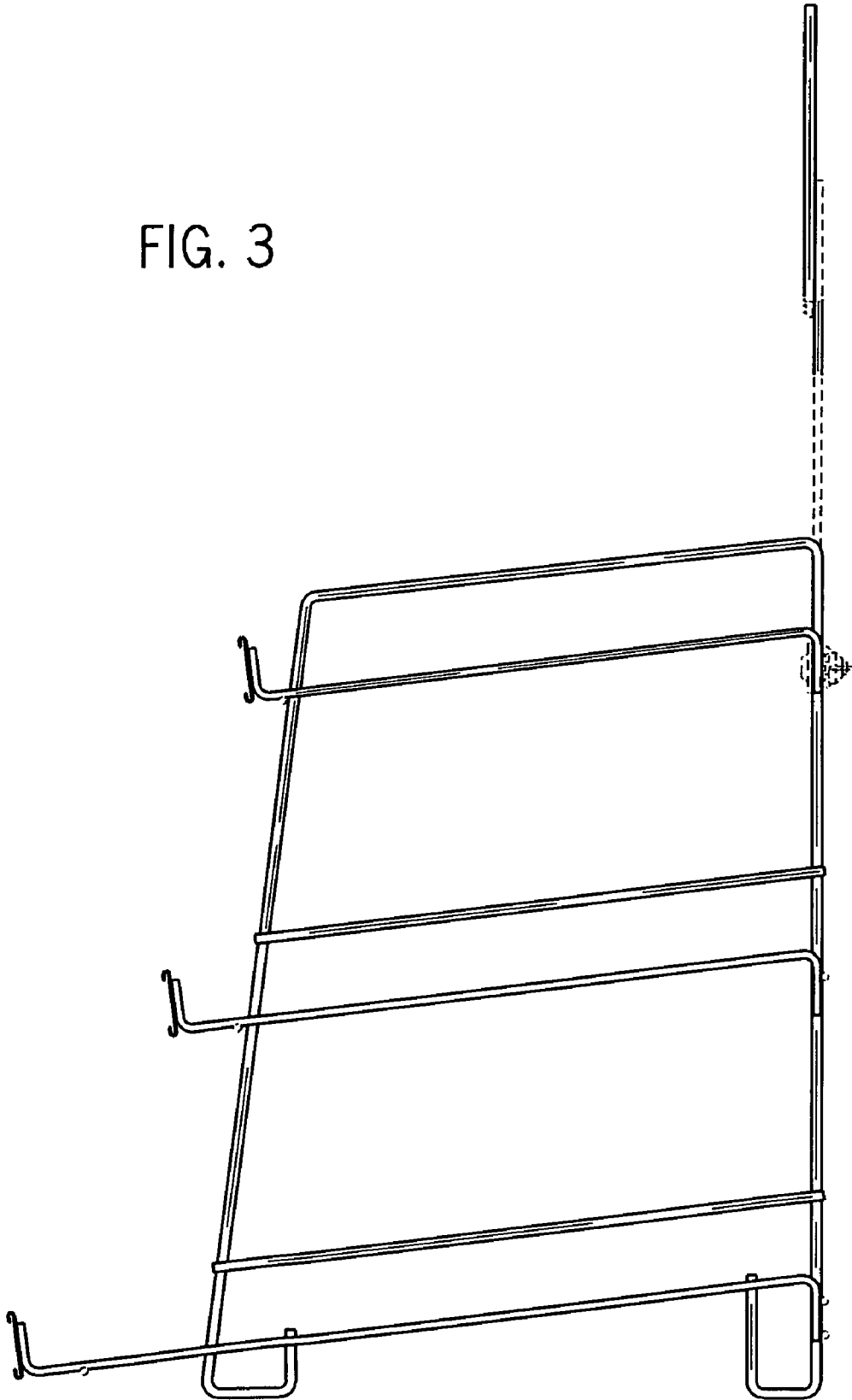


FIG. 3



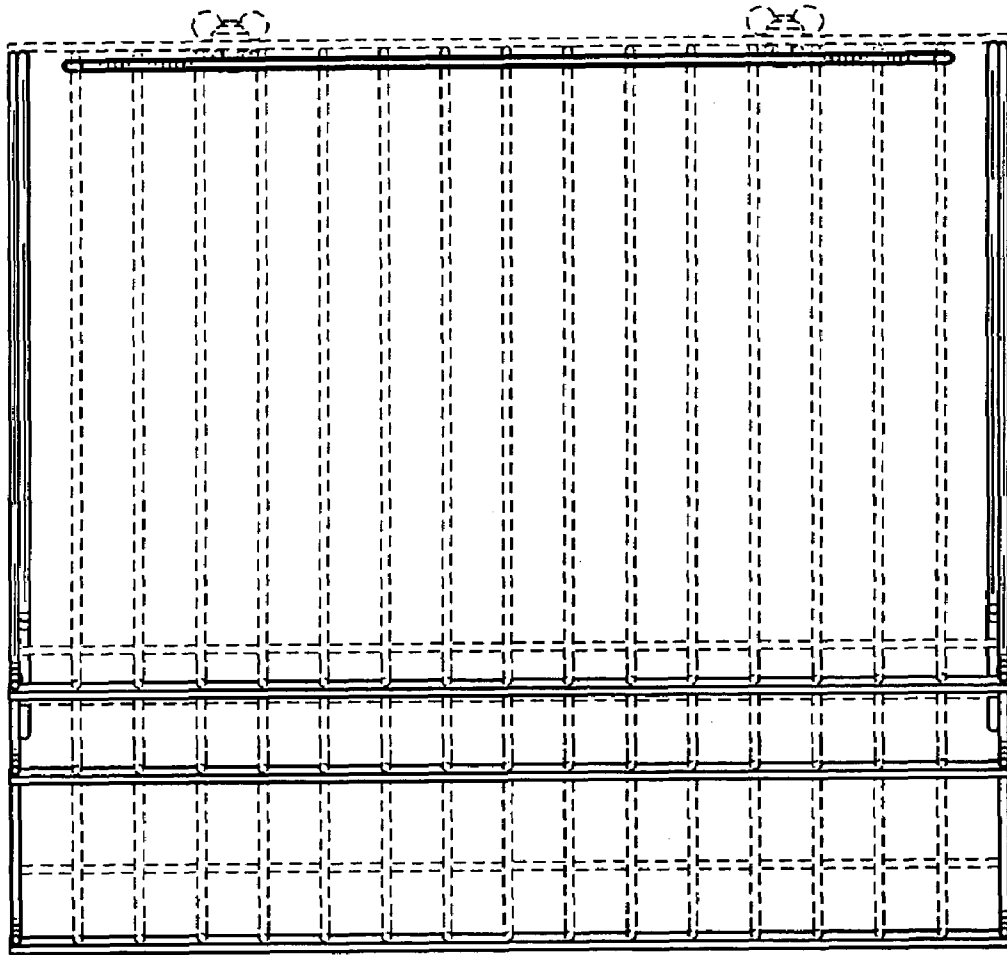
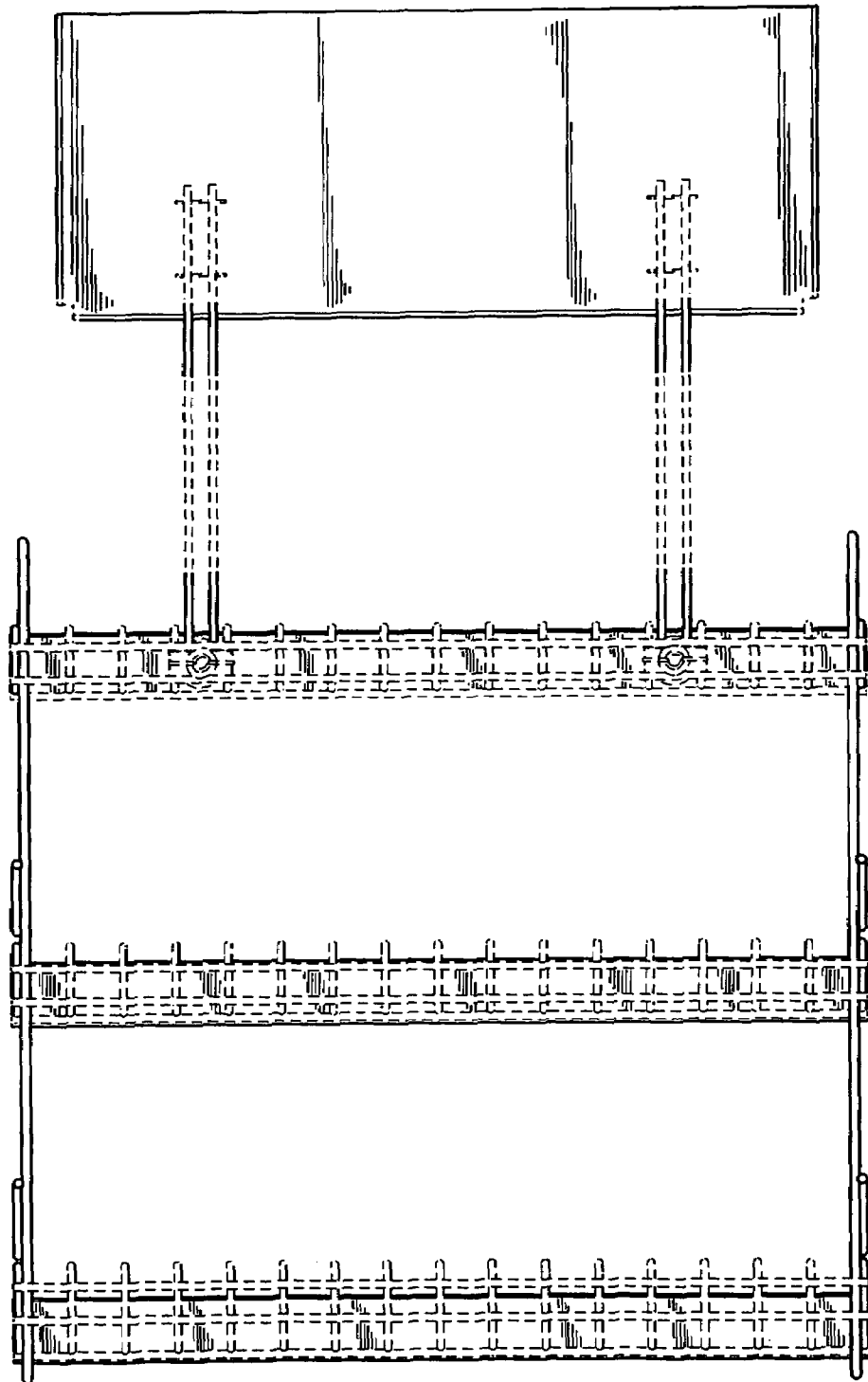


FIG. 4

FIG. 5



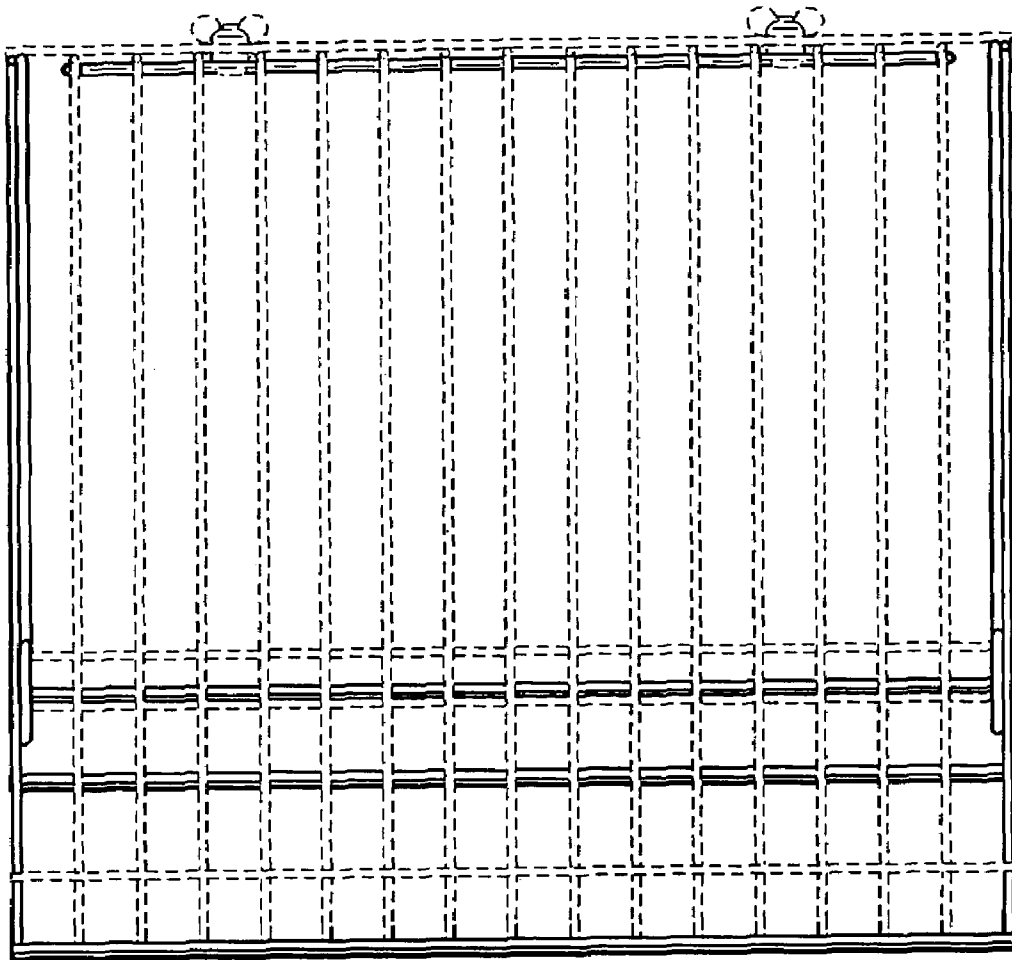


FIG. 6

FIG. 7

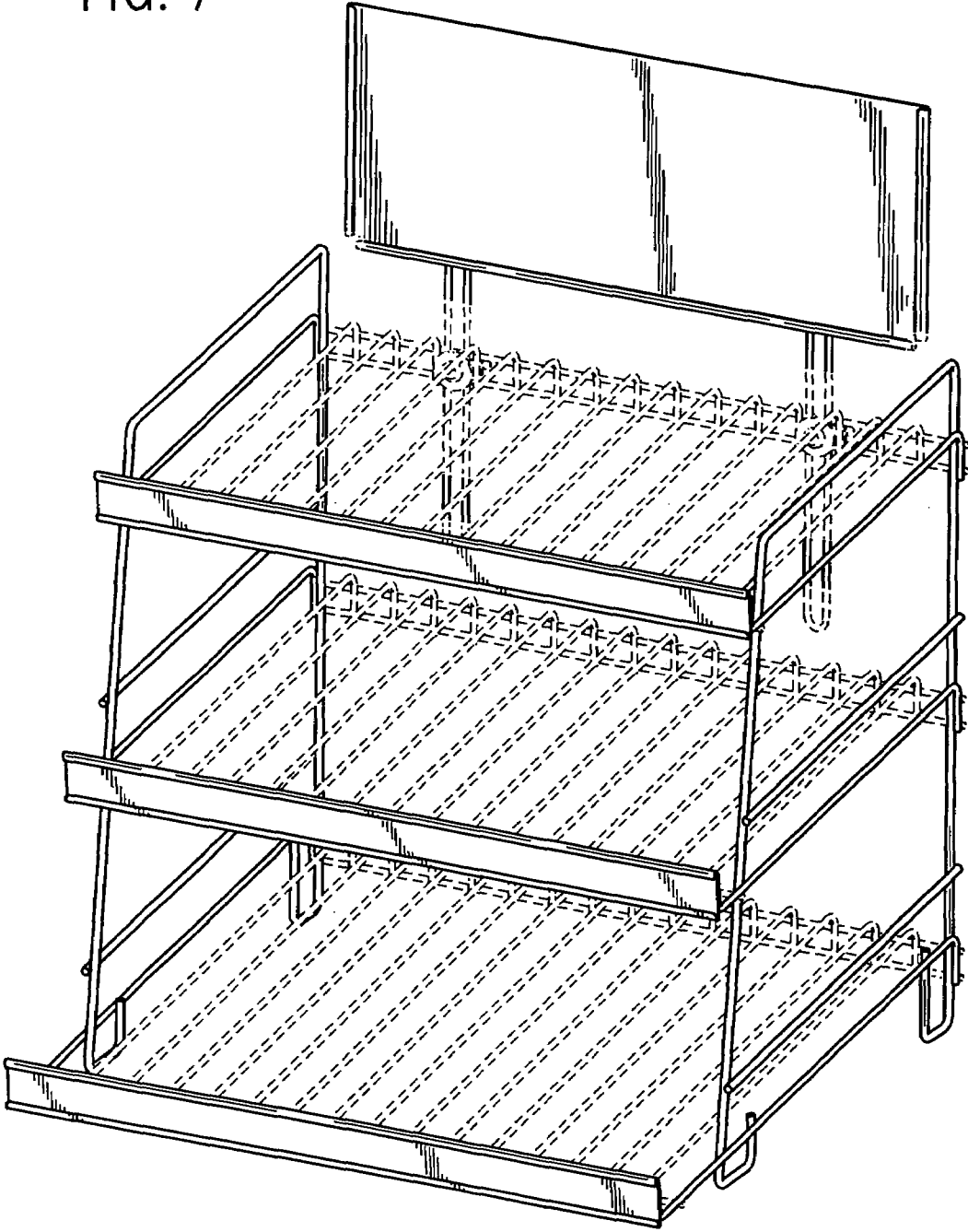


FIG. 8

