

[54] DISPLAY STAND

[75] Inventor: John Mogelhoj, Olstykke, Denmark

[73] Assignee: Aktieselskabet Lagerman Junr., Glostrup, Denmark

[**] Term: 14 Years

[21] Appl. No.: 830,898

[22] Filed: Sep. 6, 1977

[30] Foreign Application Priority Data

Mar. 11, 1977 [DK] Denmark 192/77

[51] Int. Cl. D20-02

[52] U.S. Cl. D6/28

[58] Field of Search D6/20, 23-25, D6/27-29, 85; 211/13, 181, 190, 196, 205, 182; 248/153, 175

[56] References Cited

U.S. PATENT DOCUMENTS

3,693,808 9/1972 Rauch 211/181

OTHER PUBLICATIONS

Live Wire Cat., p. 22, 6-prong rack (center of pg.).

Primary Examiner—Wallace R. Burke

Assistant Examiner—B. J. Bullock

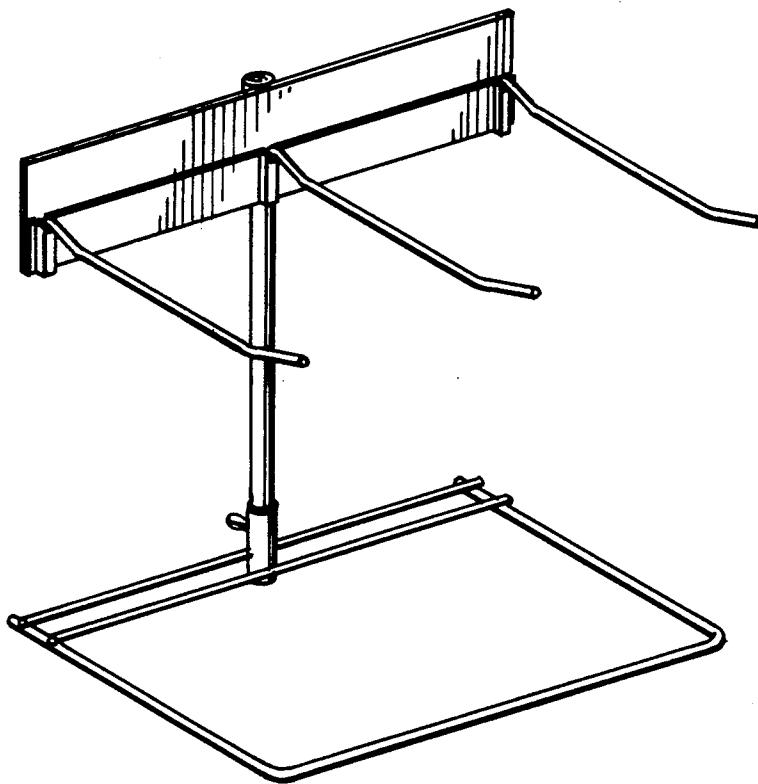
Attorney, Agent, or Firm—John Clarke Holman

[57] CLAIM

The ornamental design for the display stand, as shown and described.

DESCRIPTION

FIG. 1 is a reduced perspective view of a display stand embodying my new design; FIG. 2 is a front-elevational view thereof; FIG. 3 is a rear-elevational view thereof; and FIG. 4 is a top plan view thereof.



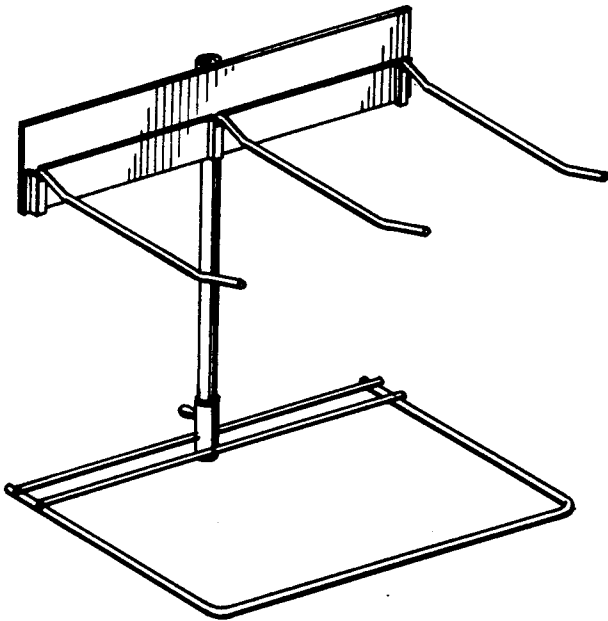


FIG. 1

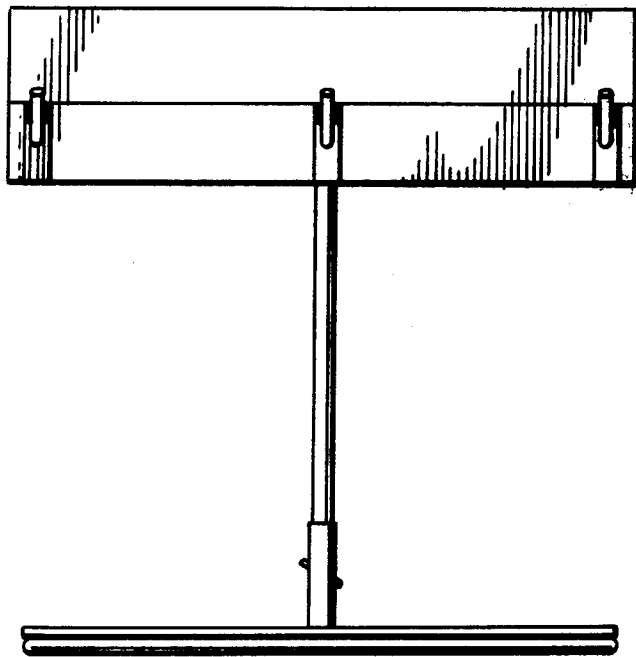


FIG. 2

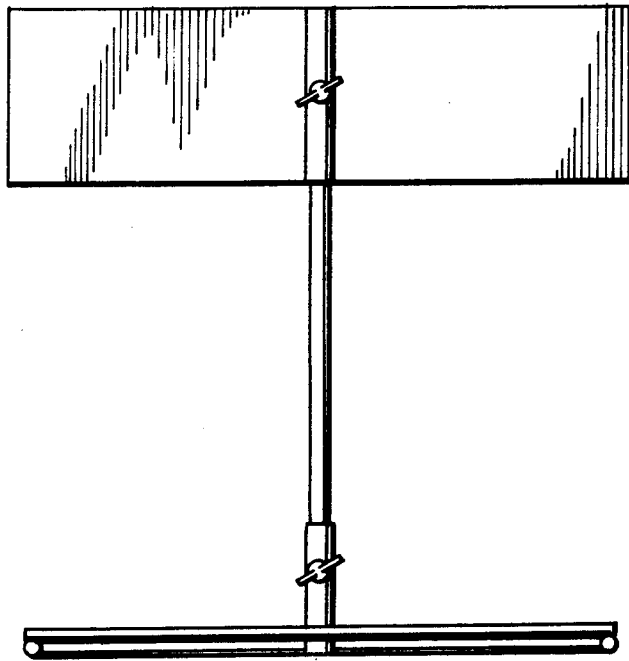


FIG. 3

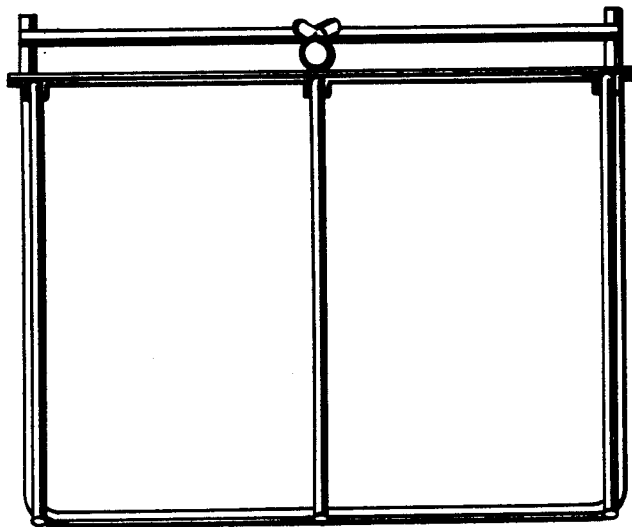


FIG. 4