



US0D1039568S

(12) **United States Design Patent**
Rocchi

(10) **Patent No.:** **US D1,039,568 S**

(45) **Date of Patent:** **** *Aug. 20, 2024**

(54) **PUMP FOR LIQUIDS**

D613,765 S * 4/2010 Reverberi D15/5
D613,766 S * 4/2010 Reverberi D15/5
D613,770 S * 4/2010 Kitamura D15/7

(71) Applicant: **ANNOVI REVERBERI S.P.A.**,
Modena (IT)

(Continued)

(72) Inventor: **Alberto Rocchi**, Castelfranco Emilia
(IT)

OTHER PUBLICATIONS

Hawk International, NHD-HY, (site visited Jan. 28, 2021), Hawkpumps.com, URL:<<https://www.hawkpumps.com/en/products/52/high-pressure-piston-pumps/series/nhd-hy>> (Year: 2021).*

(Continued)

(73) Assignee: **ANNOVI REVERBERI S.P.A.**,
Modena (IT)

(*) Notice: This patent is subject to a terminal disclaimer.

Primary Examiner — Calvin E Vansant

Assistant Examiner — Mark T. Philipps

(74) *Attorney, Agent, or Firm* — Browdy and Neimark, PLLC

(**) Term: **15 Years**

(21) Appl. No.: **35/513,186**

(22) Filed: **Jun. 14, 2021**

(57) **CLAIM**

The ornamental design for a pump for liquids, as shown and described.

(80) **Hague Agreement Data**

Int. Filing Date: **Jun. 14, 2021**

Int. Reg. No.: **DM/214899**

Int. Reg. Date: **Jun. 14, 2021**

Int. Reg. Pub. Date: **Dec. 17, 2021**

DESCRIPTION

(51) **LOC (14) Cl.** **15-02**

(52) **U.S. Cl.**

USPC **D15/7**

(58) **Field of Classification Search**

USPC D15/7, 9, 143, 148–149, 199; D23/225,
D23/231–233, 235

CPC F15B 15/16; F15B 15/26; F15B 15/1414;
F15B 15/1919; F15B 15/14; F15B 15/00;
F15B 15/08; F15B 15/18; F15B 15/20;
F02M 37/04; F04D 29/4286

See application file for complete search history.

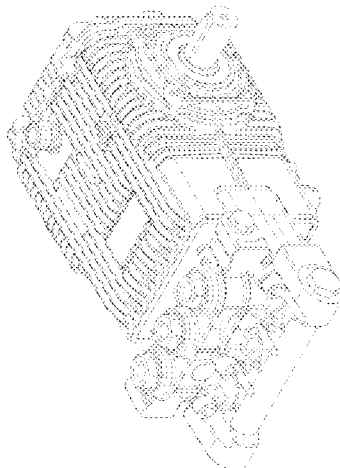
1. Pump for liquids according to a first embodiment; and
2. Pump for liquids according to a second embodiment.
Fig. 1.1: Axonometric view of the pump for liquids according to the first embodiment claimed design;
Fig. 1.2: Front view thereof;
Fig. 1.3: Left view thereof;
Fig. 1.4: Back view thereof;
Fig. 1.5: Right view thereof;
Fig. 1.6: Top view thereof; and
Fig. 1.7: Bottom view thereof.
Fig. 2.1: Axonometric view of the pump for liquids according to the second embodiment of the claimed design;
Fig. 2.2: Front view thereof;
Fig. 2.3: Left view thereof;
Fig. 2.4: Back view thereof;
Fig. 2.5: Right view thereof;
Fig. 2.6: Top view thereof; and
Fig. 2.7: Bottom view thereof.

(Continued)

(56) **References Cited**

U.S. PATENT DOCUMENTS

D495,342 S * 8/2004 Tojo D15/7
D536,005 S * 1/2007 Reverberi D15/5



The portions of the pump for liquids shown in broken lines form no part of the claimed design.

1 Claim, 14 Drawing Sheets

(56)

References Cited

U.S. PATENT DOCUMENTS

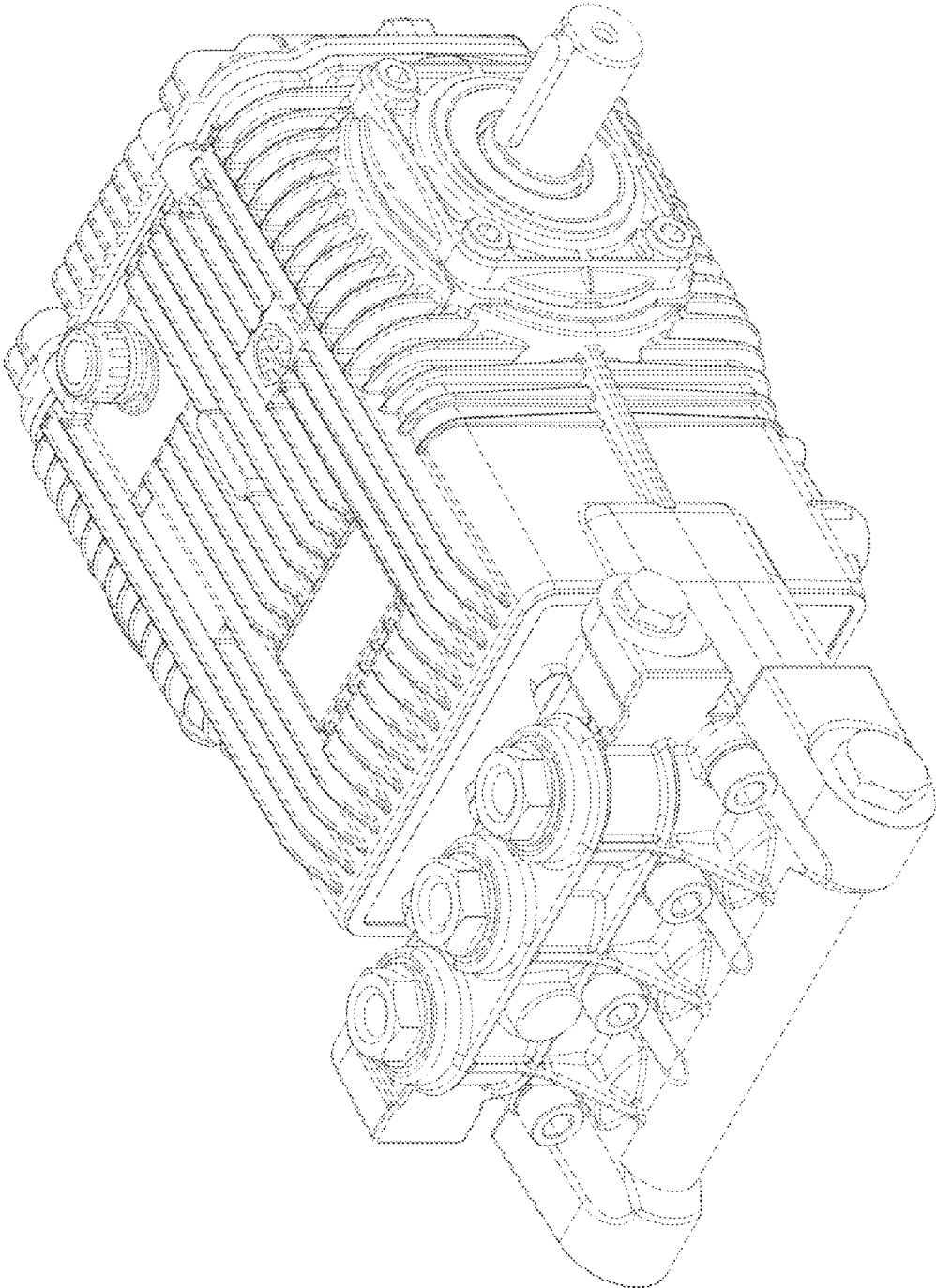
D670,312	S *	11/2012	Alexander	D15/7
D688,273	S *	8/2013	Magri	D15/7
D692,026	S *	10/2013	Alexander	D15/7
D700,211	S *	2/2014	Alexander	D15/7
D726,225	S *	4/2015	Alexander	D15/7
D726,226	S *	4/2015	Alexander	D15/7
9,677,548	B2 *	6/2017	Paderni	F16J 15/002
D805,557	S *	12/2017	Lanevongsa	D15/7
D823,898	S *	7/2018	Alexander	D15/7
D823,899	S *	7/2018	Alexander	D15/7
D823,900	S *	7/2018	Alexander	D15/7
10,316,832	B2 *	6/2019	Byrne	F16D 57/002
D858,582	S *	9/2019	Shibazaki	D15/7
D870,155	S *	12/2019	Alexander	D15/7
D879,839	S *	3/2020	Alexander	D15/7
D886,870	S *	6/2020	Alexander	D15/7
2016/0348654	A1 *	12/2016	Yasuda	F04B 27/22
2020/0200156	A1 *	6/2020	Dall'Asta	F04B 53/144
2020/0256326	A1 *	8/2020	Kharpas	F04B 49/002

OTHER PUBLICATIONS

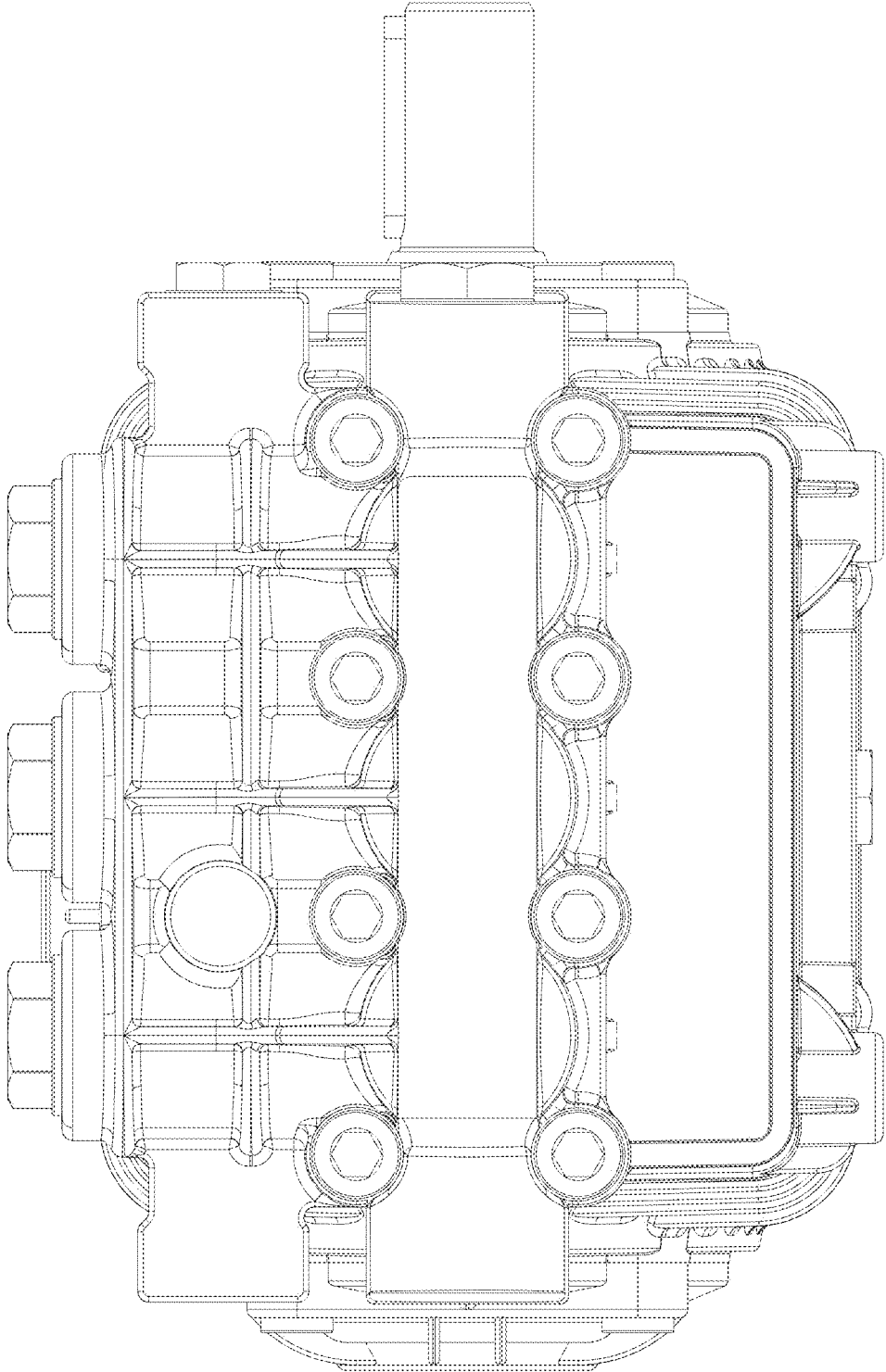
Myers, E3184 Piston & Centrifugal Pumps, (catalog page downloaded Jan. 28, 2021), Dultmeier Sales, 2020 catalog, p. E3184, URL:<<https://www.dultmeier.com/catpages/E3184.pdf>> (Year: 2021).*

* cited by examiner

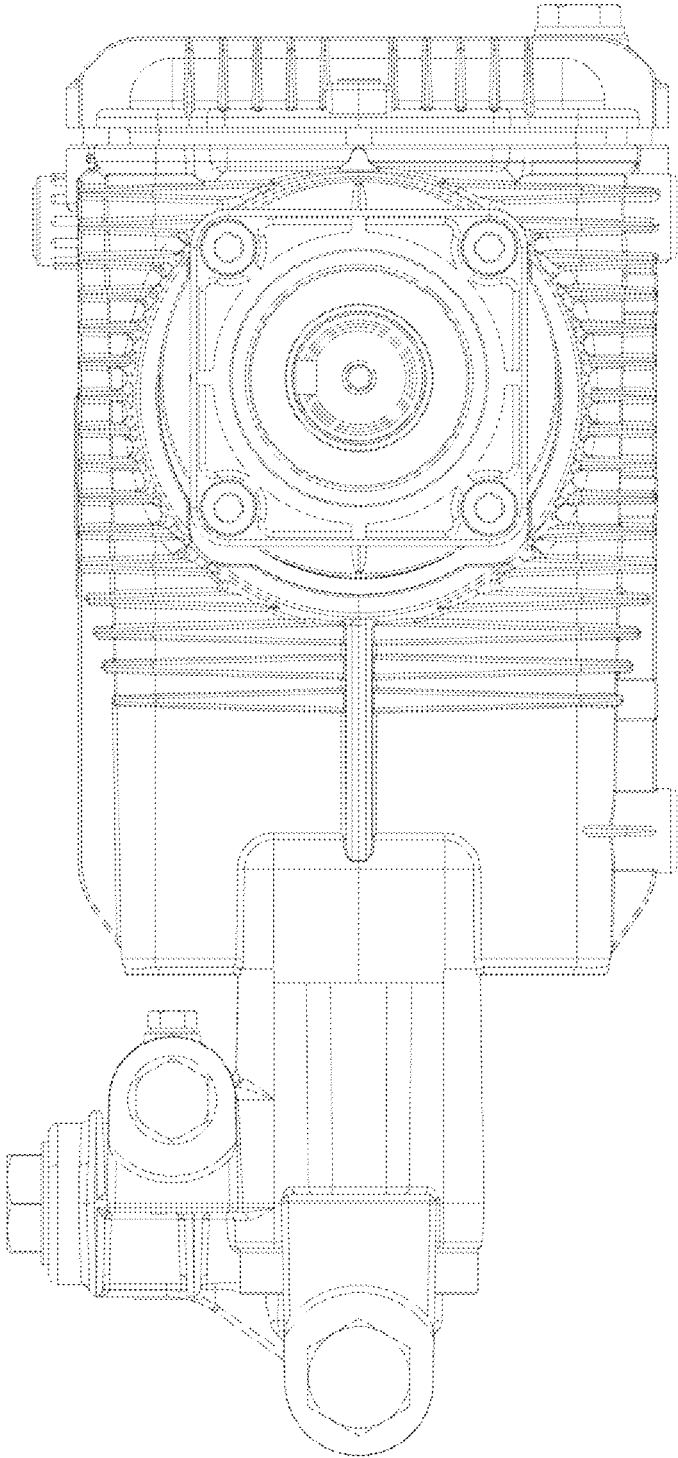
1.1



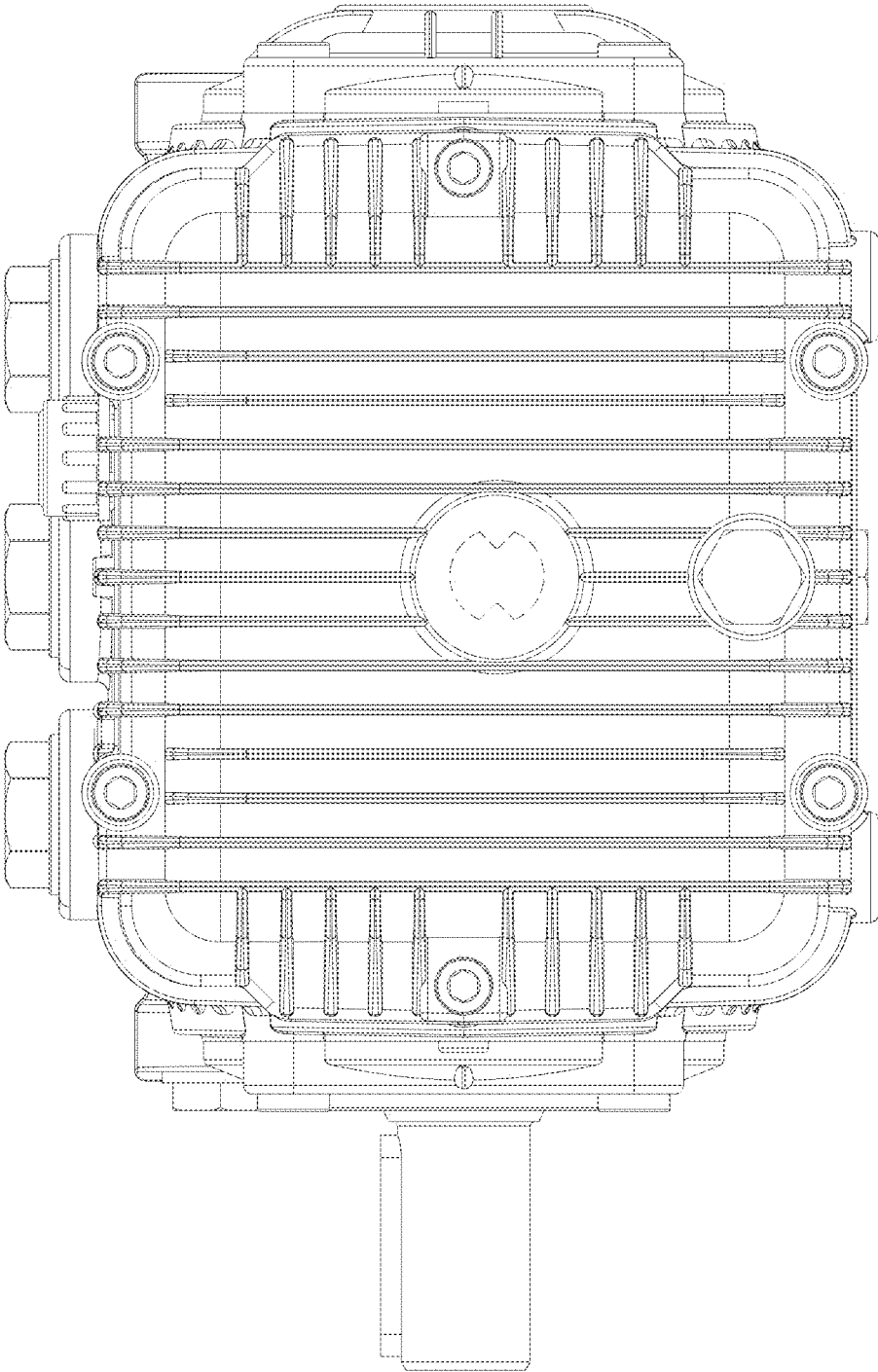
1.2



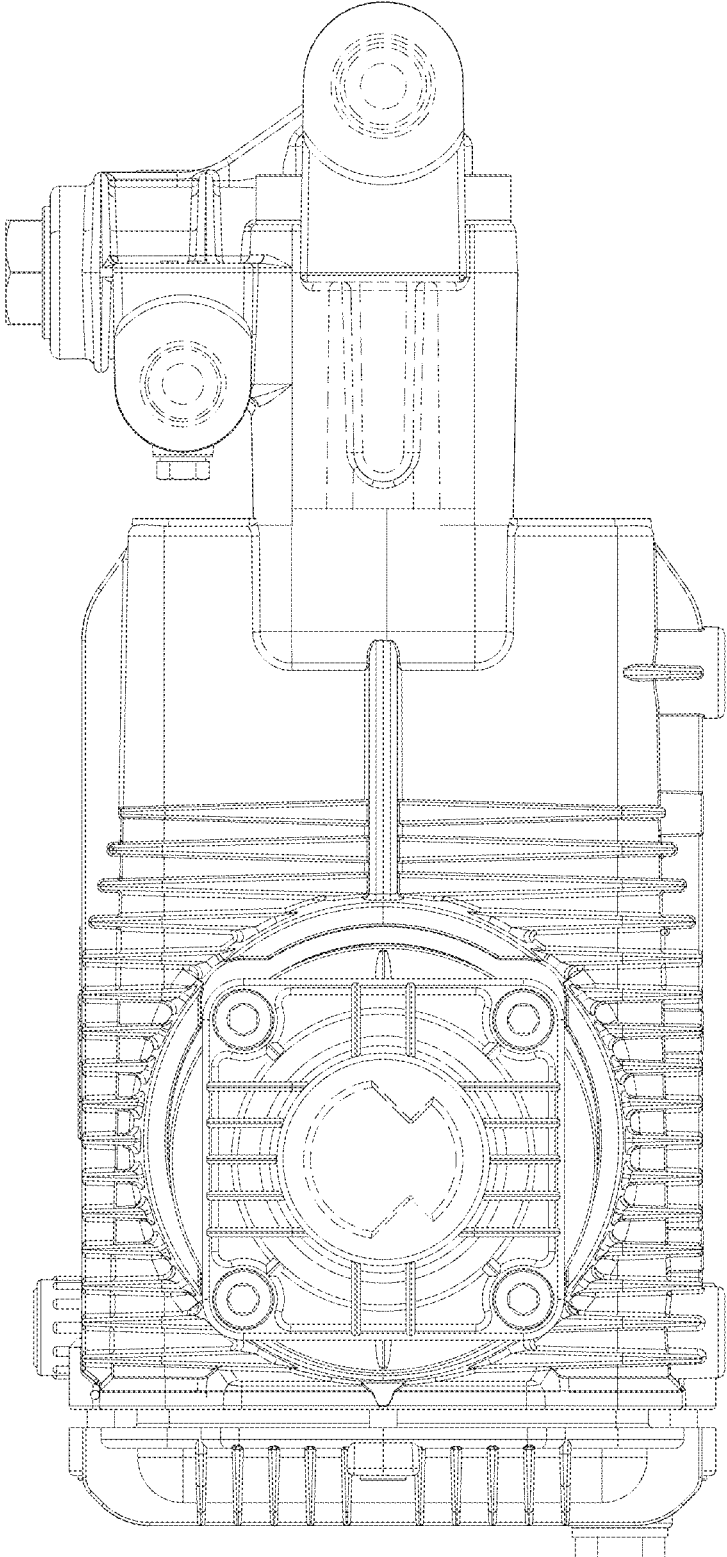
1.3



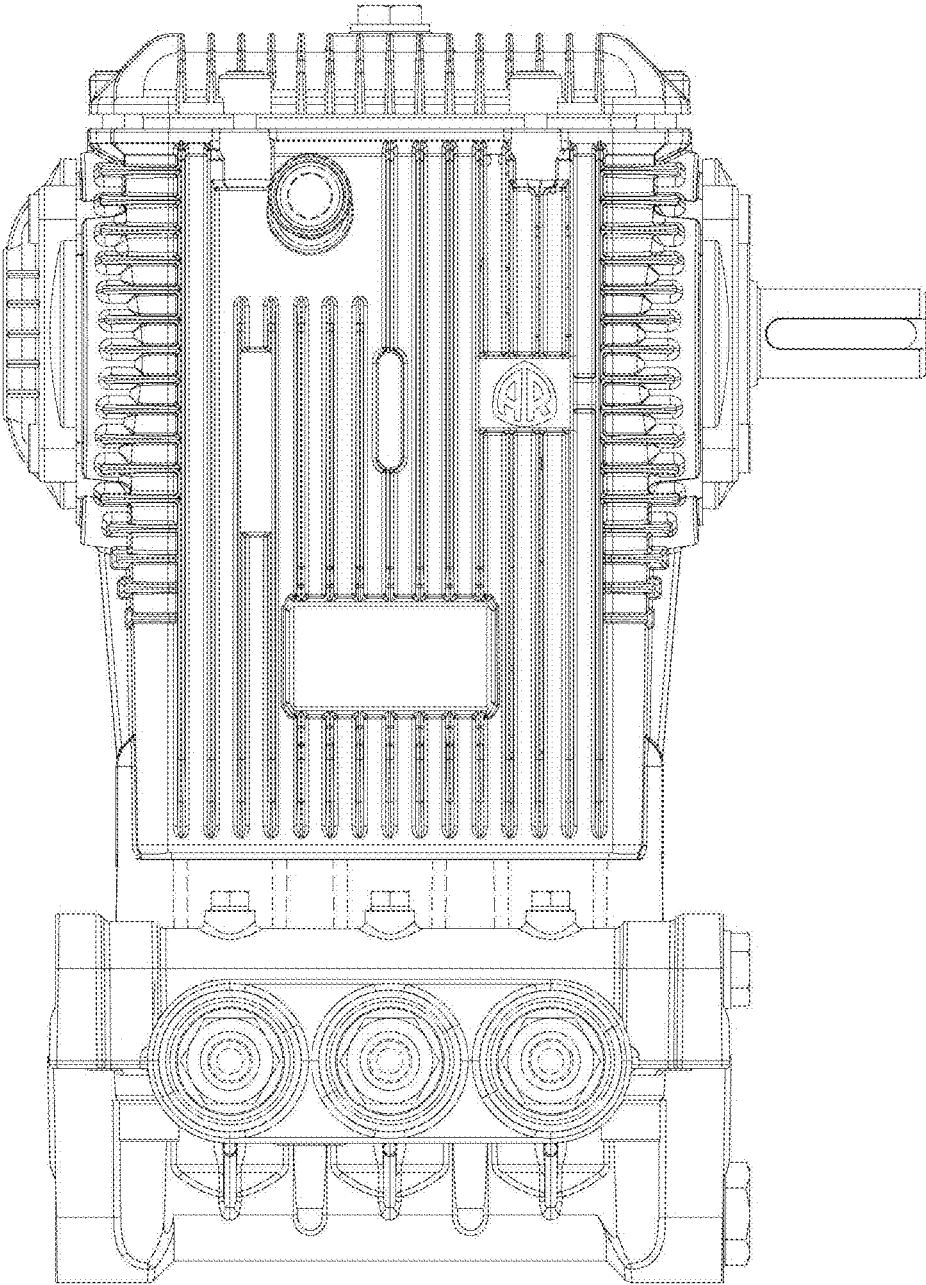
1.4



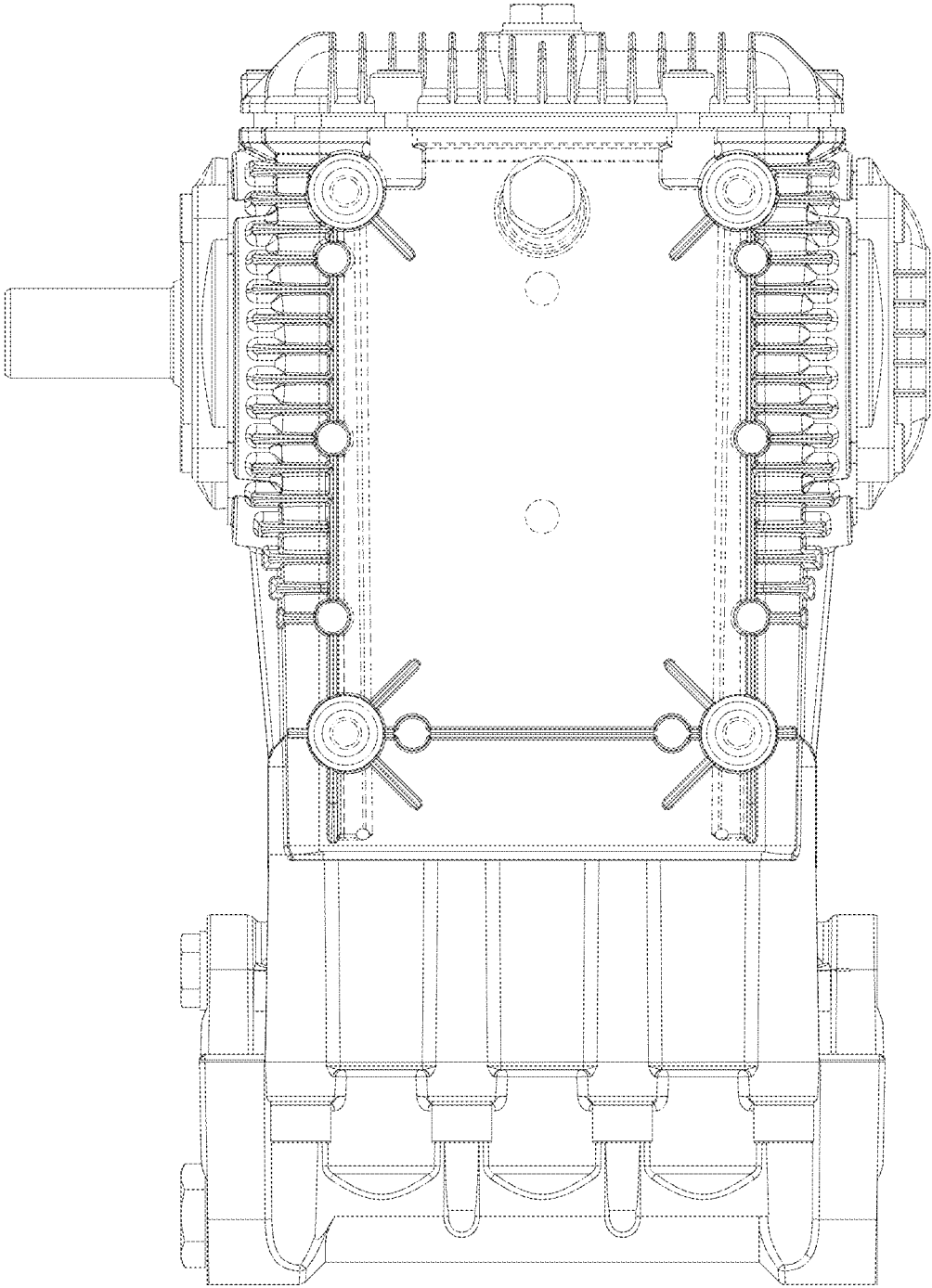
1.5



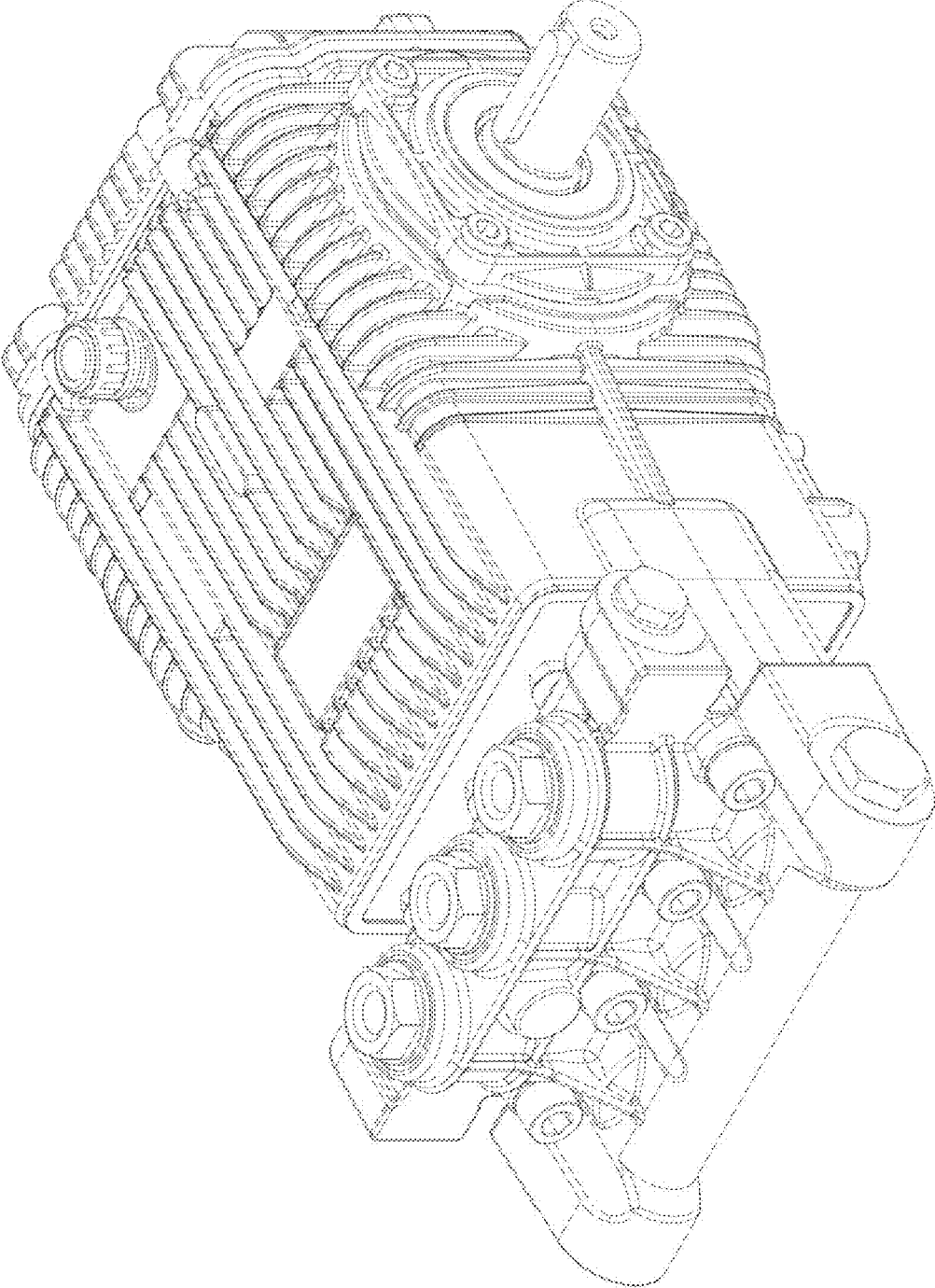
1.6



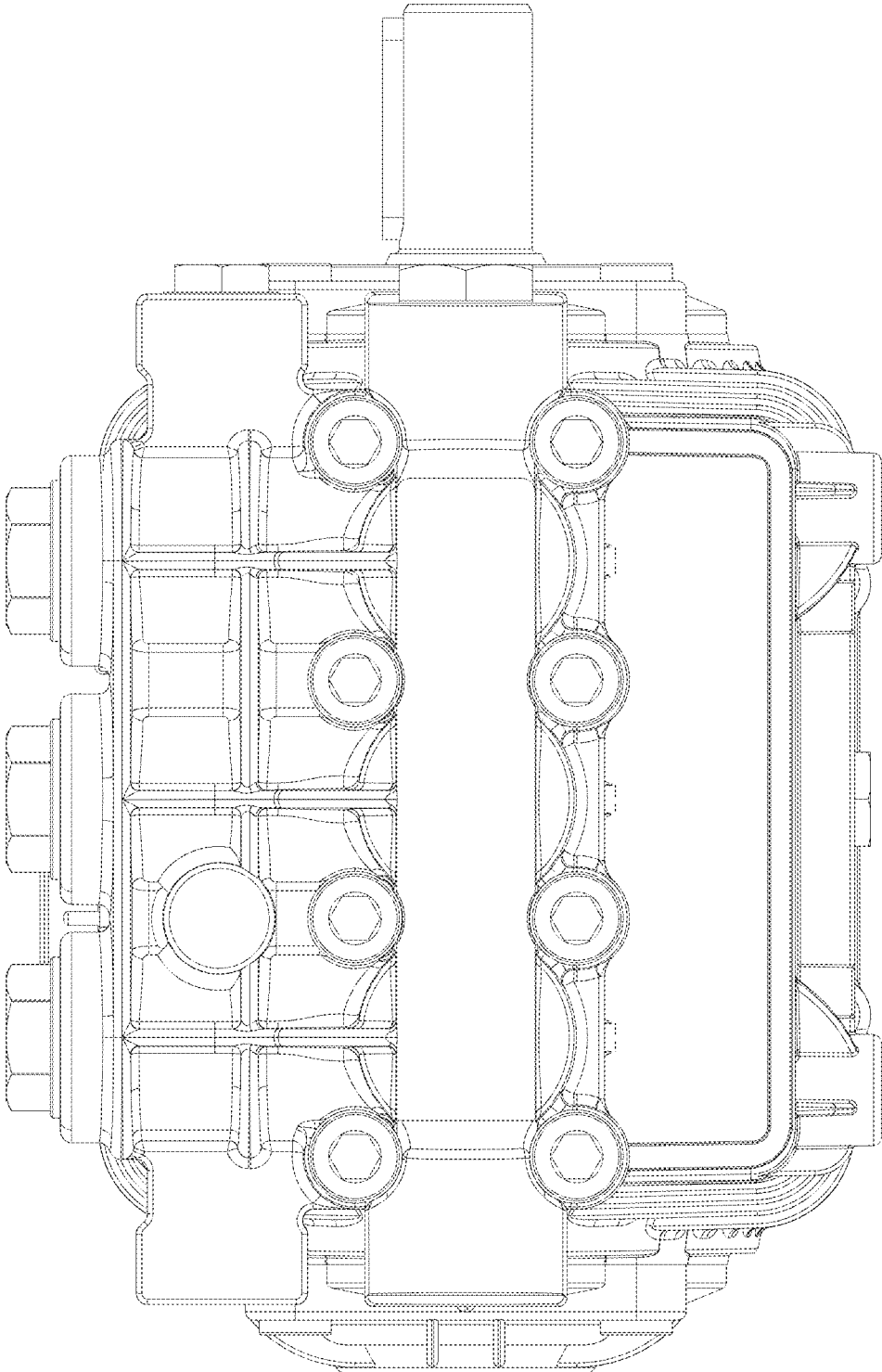
1.7



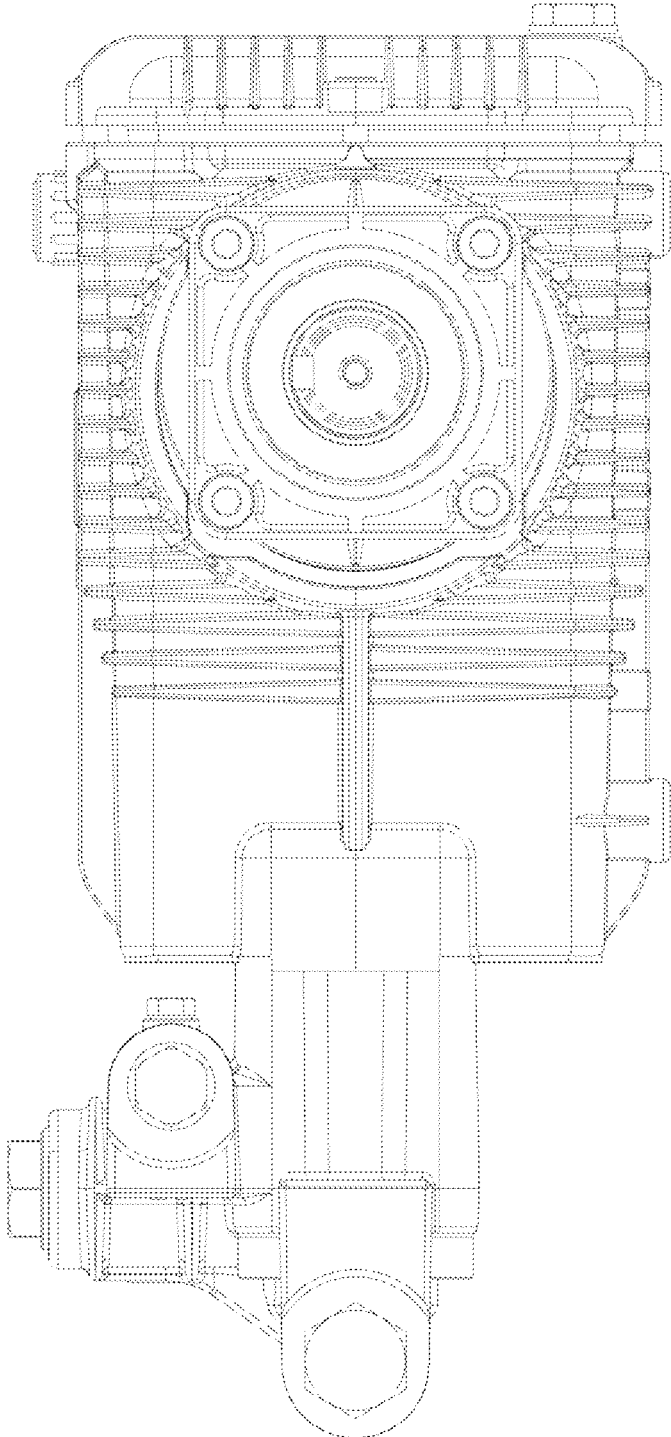
2.1



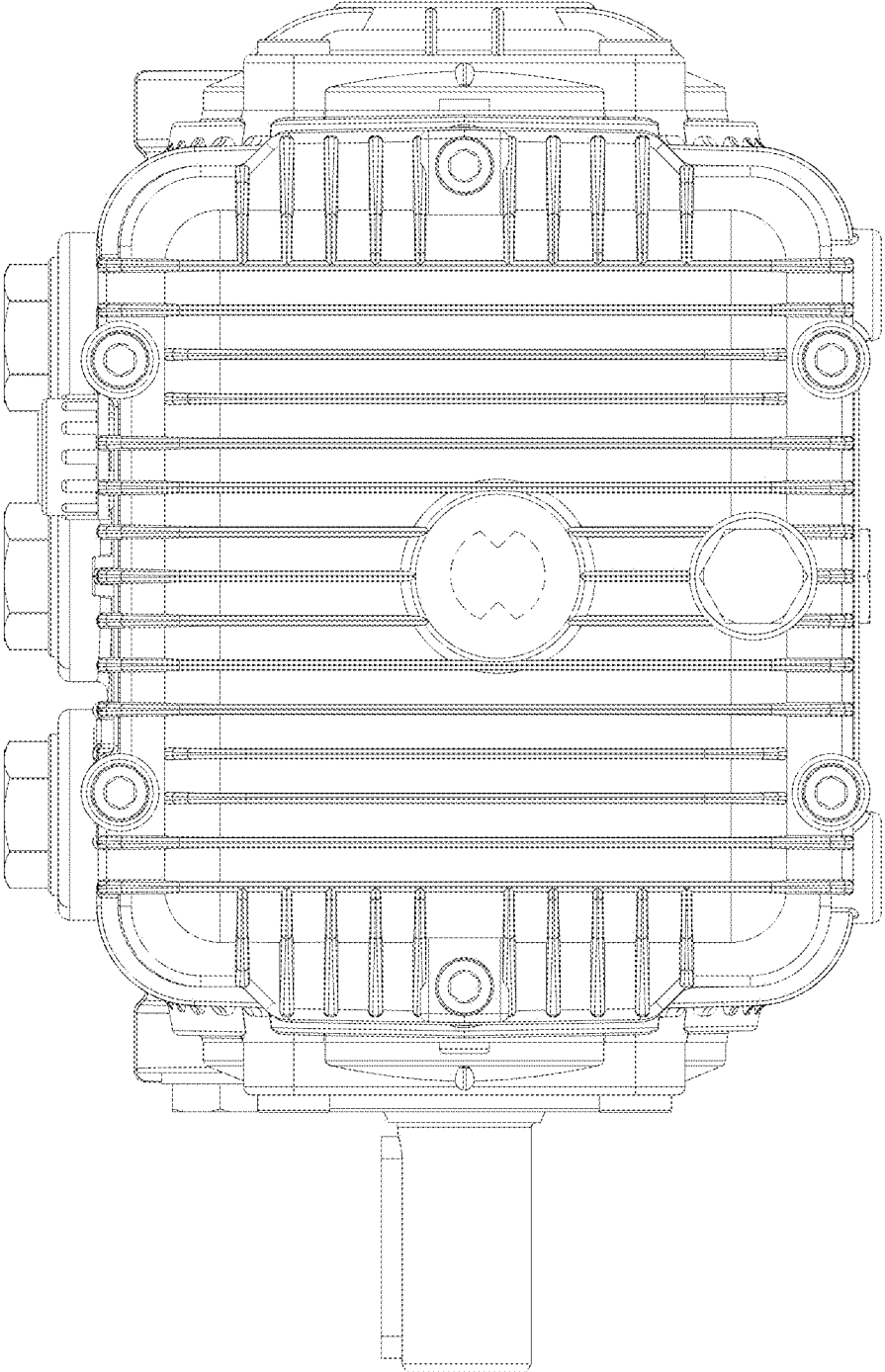
2.2



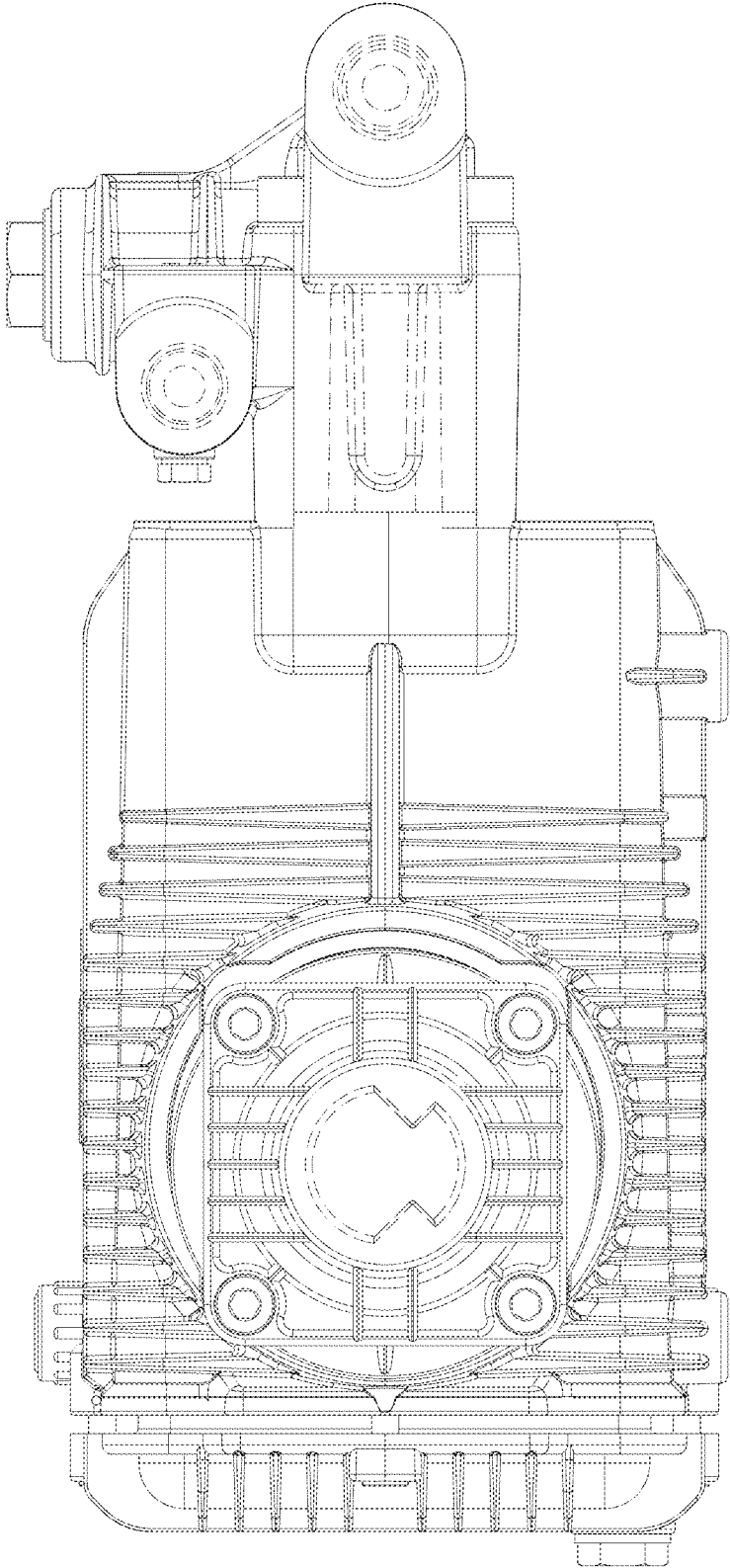
2.3



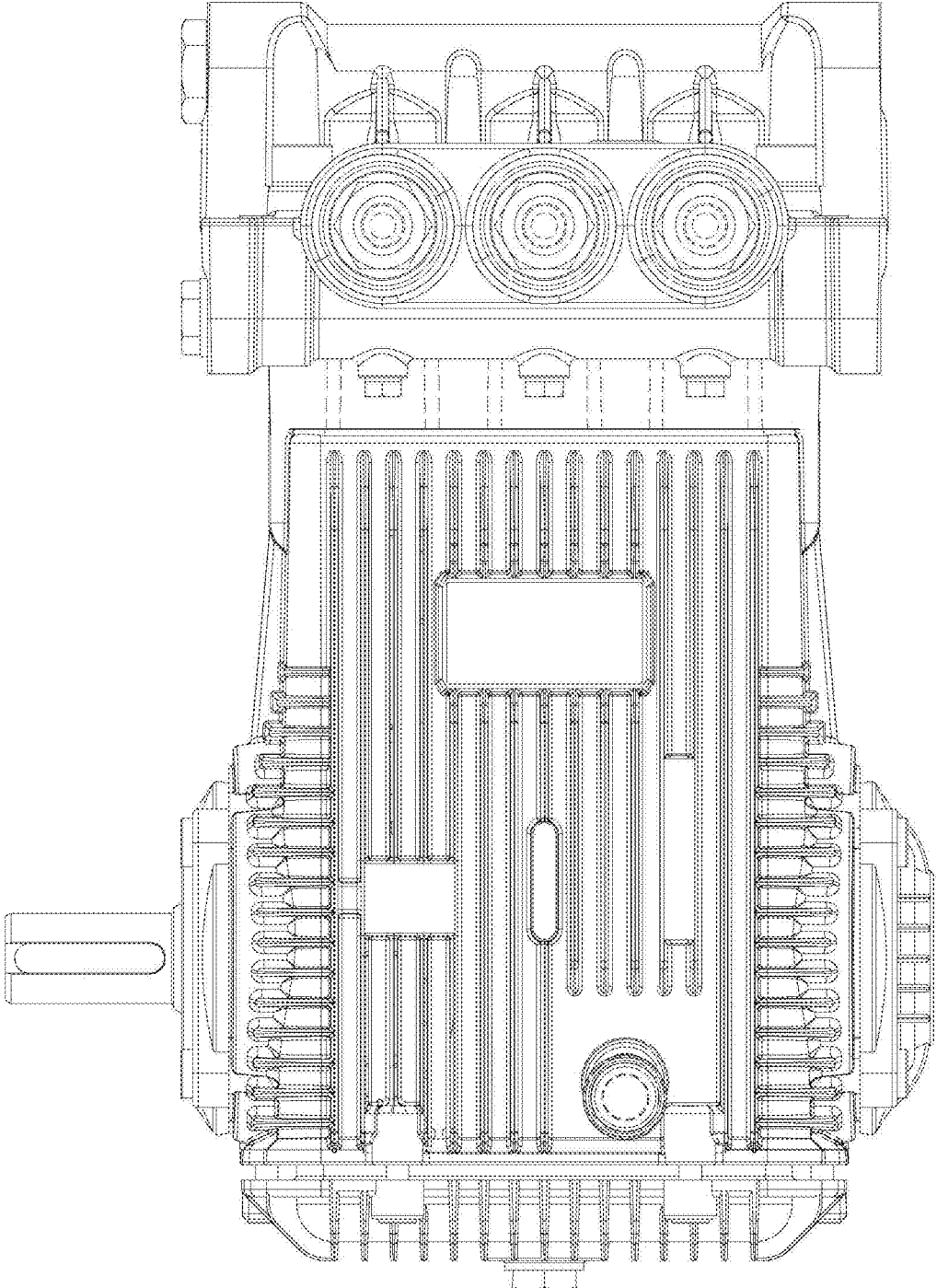
2.4



2.5



2.6



2.7

