



INTERNATIONAL APPLICATION PUBLISHED UNDER THE PATENT COOPERATION TREATY (PCT)

<p>(51) International Patent Classification⁴ : A47G 1/12</p>	<p>A1</p>	<p>(11) International Publication Number: WO 89/ 08419 (43) International Publication Date: 21 September 1989 (21.09.89)</p>
<p>(21) International Application Number: PCT/GB89/00224 (22) International Filing Date: 6 March 1989 (06.03.89) (31) Priority Application Number: 8805667 (32) Priority Date: 10 March 1988 (10.03.88) (33) Priority Country: GB (71)(72) Applicant and Inventor: EDWARDS, Colin [GB/GB]; 86 Dovetail Close, Harefield, Middlesex (GB). (74) Agent: SAUNDERS & DOLLEYMORE; 9 Rickmansworth Road, Watford, Hertfordshire WD1 7HE (GB). (81) Designated States: AT (European patent), AU, BE (European patent), CH (European patent), DE (European patent), DK, FR (European patent), GB, GB (European patent), IT (European patent), LU (European patent), NL (European patent), SE (European patent),</p>		<p>US. Published <i>With international search report. Before the expiration of the time limit for amending the claims and to be republished in the event of the receipt of amendments.</i></p>
<p>(54) Title: ROSETTE DISPLAY DEVICE</p>		
<p>(57) Abstract</p> <p>Various examples of rosette display devices are described, each of which comprises a plurality of individual members connected together, at least one of the members being a strip-shaped member and at least one member being an elongate support member. In one example, a pair of vertical rigid support members (10, 11) are held together at spaced apart positions by a set of rigid strip-shaped members (14). A set of flexible strip-shaped members (15) extend between the support members in a bowed configuration.</p> <div data-bbox="949 1153 1428 2049" data-label="Image"> </div>		

FOR THE PURPOSES OF INFORMATION ONLY

Codes used to identify States party to the PCT on the front pages of pamphlets publishing international applications under the PCT.

AT	Austria	FR	France	ML	Mali
AU	Australia	GA	Gabon	MR	Mauritania
BB	Barbados	GB	United Kingdom	MW	Malawi
BE	Belgium	HU	Hungary	NL	Netherlands
BG	Bulgaria	IT	Italy	NO	Norway
BJ	Benin	JP	Japan	RO	Romania
BR	Brazil	KP	Democratic People's Republic of Korea	SD	Sudan
CF	Central African Republic	KR	Republic of Korea	SE	Sweden
CG	Congo	LI	Liechtenstein	SN	Senegal
CH	Switzerland	LK	Sri Lanka	SU	Soviet Union
CM	Cameroon	LU	Luxembourg	TD	Chad
DE	Germany, Federal Republic of	MC	Monaco	TG	Togo
DK	Denmark	MG	Madagascar	US	United States of America
FI	Finland				

- 1 -

ROSETTE DISPLAY DEVICE

TECHNICAL FIELD

This invention relates to a display device for rosettes.

5 BACKGROUND ART

In many competitions, such as horse riding competitions, driving competitions, dog or other animal shows, or fruit, vegetable, or flower grower shows, successful participants are given rosettes. A
10 rosette usually has a clip which permits it to be displayed at the time of the competition, for example, on a participant's clothing, or on a horse's bridle. Naturally, participants want to display their rosettes at home or at their places of work and
15 it is usual to do so by attaching them to a piece of strip or a piece of wire. However, as the number of rosettes collected by a participant increases, the need arises for a better means of displaying them.

DISCLOSURE OF INVENTION

20 It is an object of this invention to provide a device for displaying rosettes.

According to this invention, there is provided a rosette display device comprising a plurality of individual members connected together,
25 at least one being an elongate support member and at least one of said members being a strip-shaped member, the or each strip-shaped member being arranged so that, in use, rosettes mounted thereon are held in a substantially vertical orientation, and
30 the or each strip-shaped member being arranged so that, in use, with rosettes mounted along the entire length of the or each strip-shaped member, all the rosettes may be viewed from outside the display device.

35 BRIEF DESCRIPTION OF THE DRAWINGS

This invention will now be described in

- 2 -

more detail, by way of example, with reference to the drawings in which:

Figure 1 is a perspective view of a rosette display device according to a first
5 embodiment of this invention;

Figure 2 is a fragmentary perspective view of the rosette display device of Figure 1 showing the pockets connecting the support members and the strip-shaped members;

10 Figure 3 is a perspective view of a modified form of the rosette display device of Figure 1;

Figure 4 is a perspective view of a display device according to a second embodiment of
15 this invention;

Figure 5 is a perspective view of a display device according to a third embodiment of this invention;

20 Figure 6 is a plan view of the display device of Figure 5; and

Figure 7 is a perspective view of a display device according to a fourth embodiment of this invention.

MODES OF CARRYING OUT THE INVENTION

25 Referring now to Figure 1, the rosette display device comprises a pair of L-shaped support members 10, 11 extending parallel to each other in a spaced apart manner. Each of the support members 10, 11 has a side limb 12 and a rear limb 13. The
30 support members 10, 11 are held in the spaced apart manner by three strip-shaped members 14 which extend between them. The ends of the members 14 are secured to the support members 10, 11 and, as may be seen, these members 14 are parallel to each other but
35 extend at right angles to the longitudinal axis of

- 3 -

members 10, 11.

Four flexible strip-shaped members 15 also extend between the support members 10, 11. As may be seen, the strip-shaped members 15 are much longer than the strip-shaped members 14 and consequently adopt a bowed configuration. The strip-shaped members 15 are less than half the width of the members 14. As illustrated in Figure 2 the ends of the members 15 are located in pockets 16 mounted on the side limbs 12 of members 10, 11. The members 15 may be removed if not required.

In use, the display device is secured to a wall by screws passed through apertures, not shown, in rear limbs 13 of support members 10, 11. Rosettes may then be mounted, as desired, on the strip-shaped members 14,15.

In Figure 3, there is shown a modified form of the rosette device of Figure 1. In the device shown in Figure 3, each of the individual strip-shaped members 14 of Figure 1 is replaced by a pair of strip-shaped members 17, 18. In each pair of strip-shaped members 17, 18, the two individual members are connected together so as to extend at a right angle relative to each other and the free ends of the pair of members are connected to the support members 10, 11. The rosette display device shown in Figure 3 is suitable for mounting in the corner of a room.

Referring now to Figure 4, the rosette display device there shown comprises a single support member in the form of a cylindrical column 20. The column 20 is mounted on a support structure comprising a base 21 and a pillar 22 extending upwardly therefrom.

Four sets 25 to 28 of rigid strip-shaped

- 4 -

members 23 extend outwardly from column 20 at positions which are circumferentially spaced apart relative to the axis of column 20 at 90° intervals. The inner ends of members 23 are received in slots
5 formed in column 20 and the members themselves extend at right angles to the axis of column 20. In each of the sets 25 to 28, the free or outer ends of members 23 are connected to a respective rod 29, the rods 29 extending in a direction parallel to column 20. A
10 ring 30 is attached to the upper end of column 20.

In use, the rosette display device of Figure 4 may be mounted simply by placing the base 21 on the floor or by suspending the device by ring 30. The rosettes may then be mounted, as desired, on the
15 members 23.

Referring now to Figures 5 and 6, the rosette display device there shown comprises five rings 31 to 35 each of which is formed as a strip-shaped member. The rings 31 to 35 are held together
20 by a pair of support members 36,37 so that the rings 31 to 35 extend around a common vertical axis and are located at vertically spaced positions. The support members 36,37 meet on the vertical axis at a position above ring 31 and are connected at this
25 position to a mounting ring 38. Rosettes may be mounted on rings 31 to 35.

Referring now to Figure 7, the rosette display device there shown comprises a strip-shaped member 40 formed into the shape of a helix and a
30 support member 41 formed from a tube connected between the two ends of member 40. A pair of support members 42,43 are connected to positions on member 41 intermediate its two ends. An eye bolt 44 is secured to the upper end of member 41. Although not shown,
35 member 41 may be mounted on a stand.

- 5 -

In each of the display devices described above, rosettes may be mounted on the strip-shaped members simply by clipping them in places. When mounted, the rosettes will be held in a substantially vertical orientation. If desired, the rosettes may
5 be mounted back-to-back. In each of the display devices, even when the rosettes are mounted along the entire length of each strip-shaped member, all the rosettes may be viewed from outside the display device. Each of the display devices is capable of
10 displaying a relatively large number of rosettes in a relatively small space.

In the rosette display devices described above, the various members may be made from any
15 suitable material, such as a plastics material or wood or metal.

CLAIMS

1. A rosette display device characterized in that it comprises a plurality of individual members connected together, at least one (10,11; 20; 36,37; 5 41) being an elongate support member and at least one (14,15; 15,17,18; 23; 31 to 35; 40) of said members being a strip-shaped member, the or each strip-shaped member being arranged so that, in use, rosettes mounted thereon are held in a substantially vertical 10 orientation, and the or each strip-shaped member being arranged so that, in use, with rosettes mounted along the entire length of the or each strip-shaped member, all the rosettes may be viewed from outside the display device.
- 15 2. A rosette display device as claimed in Claim 1, characterized in that the strip-shaped member is, or the strip-shaped members are, arranged to enclose a vertical axis.
- 20 3. A rosette display device as claimed in Claim 1 or Claim 2, characterized in that it includes a plurality of strip-shaped members, at least some of which are vertically spaced from each other.
4. A rosette display device as claimed in Claim 1, characterized in that there are a group of 25 strip-shaped members extending from said at least one support member.
5. A rosette display device as claimed in Claim 4, characterized in that there are provided a pair of elongate rigid support members (10,11) 30 arranged in a spaced apart manner, and said group of strip-shaped members comprises a first set of rigid strip-shaped members (14; 17,18) holding said pair of elongate rigid support members in said spaced apart manner and a second set of flexible strip-shaped 35 members (15) extending between the support members in

- 7 -

a bowed configuration.

5 6. A rosette display device as claimed in Claim 5, characterized in that in said first set of rigid strip-shaped members (14), each individual member extends between said pair of elongate rigid support members.

10 7. A rosette display device as claimed in Claim 5, characterized in that in said first set of rigid strip-shaped members (17,18), the members are arranged in pairs, the two members of each pair being connected together so as to extend at a right angle relative to each other, and each pair of rigid strip-shaped members extending between the pair of elongate rigid support members.

15 8. A rosette display device as claimed in Claim 4, characterized in that there is provided a single support member (20), and said group of strip-shaped members comprises a plurality of sets of strip-shaped members (23), each set extending
20 outwardly from the support member in a respective direction, and the individual members of each set extending from the support member at positions which are vertically spaced.

25 9. A rosette display device as claimed in Claim 8, characterized in that the free-ends of each set of strip-shaped members are connected by a rod (29).

30 10. A rosette display device as claimed in Claim 1, characterized in that it comprises a plurality of rings (31 to 35) each of which is formed as a strip-shaped member and a set of support members (36,37) which connect the ring together, said rings extending around a common vertical axis and being located at vertically spaced positions, and said
35 support members meeting each other at a position on

- 8 -

said common vertical axis above the rings.

25 11. A rosette display device as claimed in
Claim 1, characterized in that it comprises a strip-
shaped member (40) formed into the shape of a helix
and a support member (41) joined to the two ends of
said strip-shaped member.

35

1/6

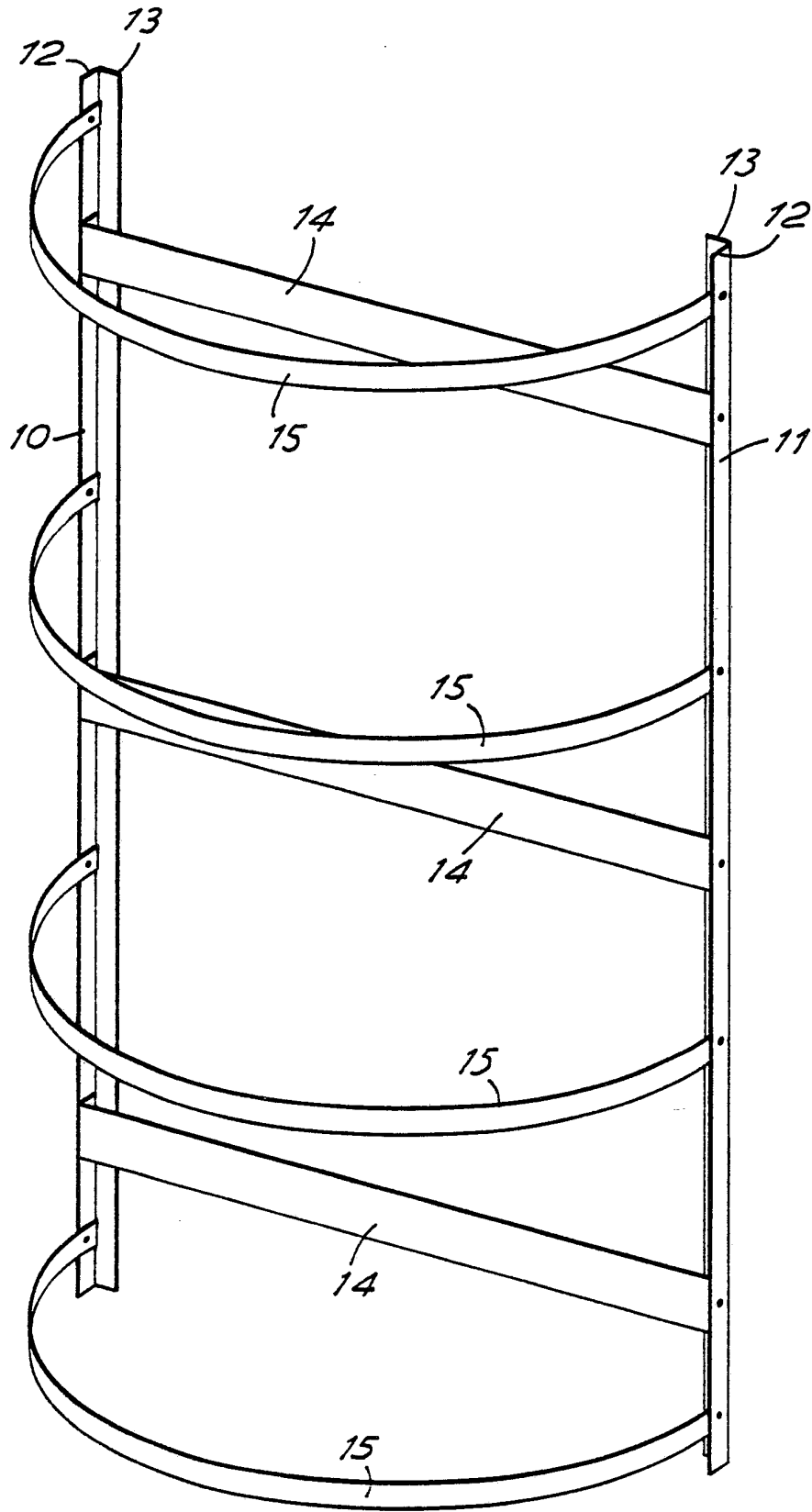


FIG.1

2/6

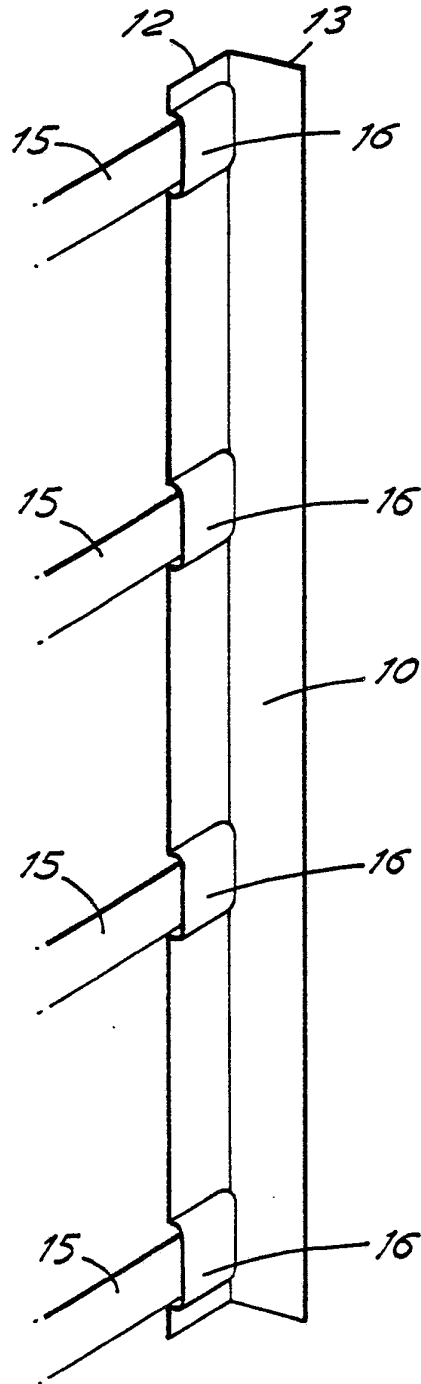


FIG. 2

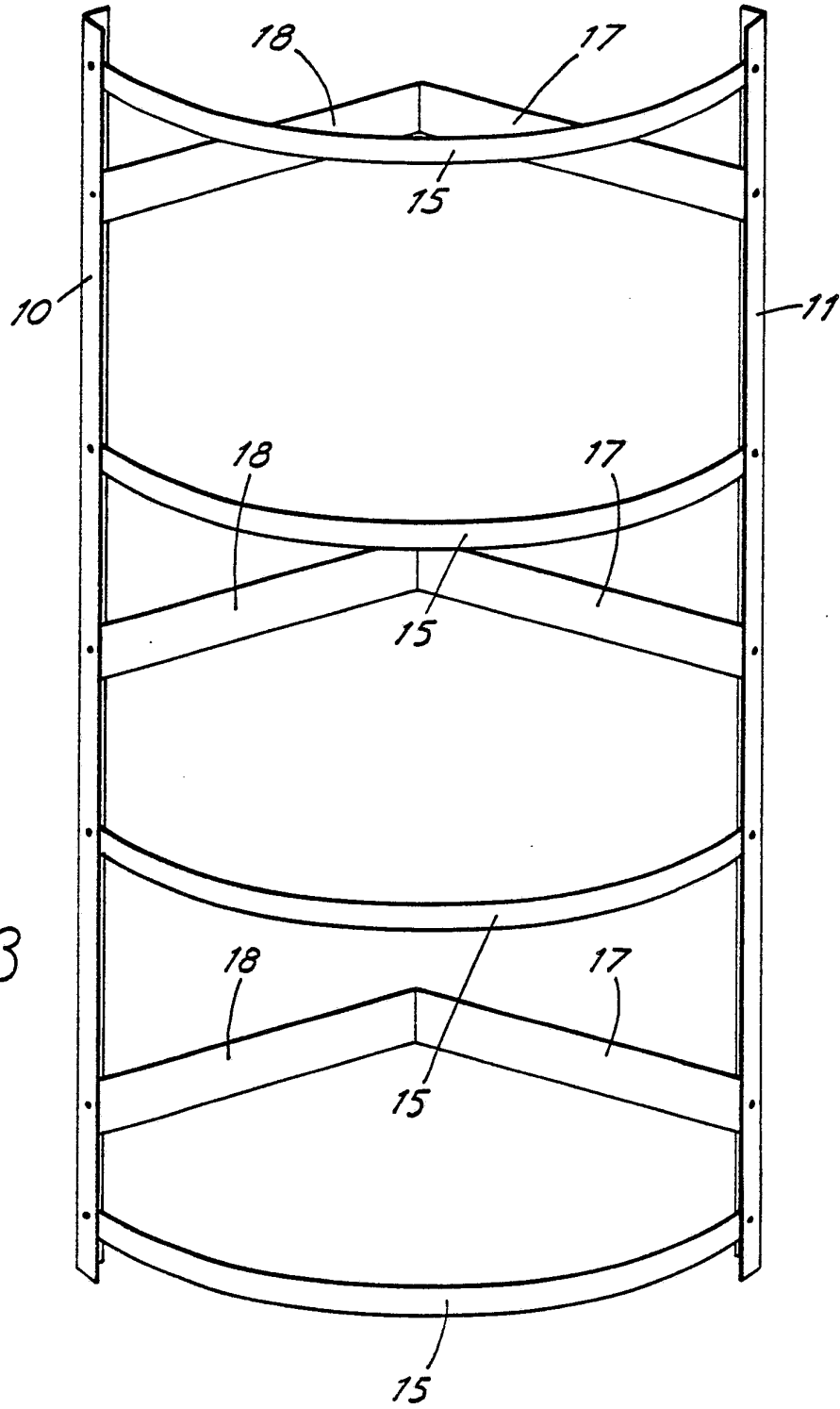


FIG.3

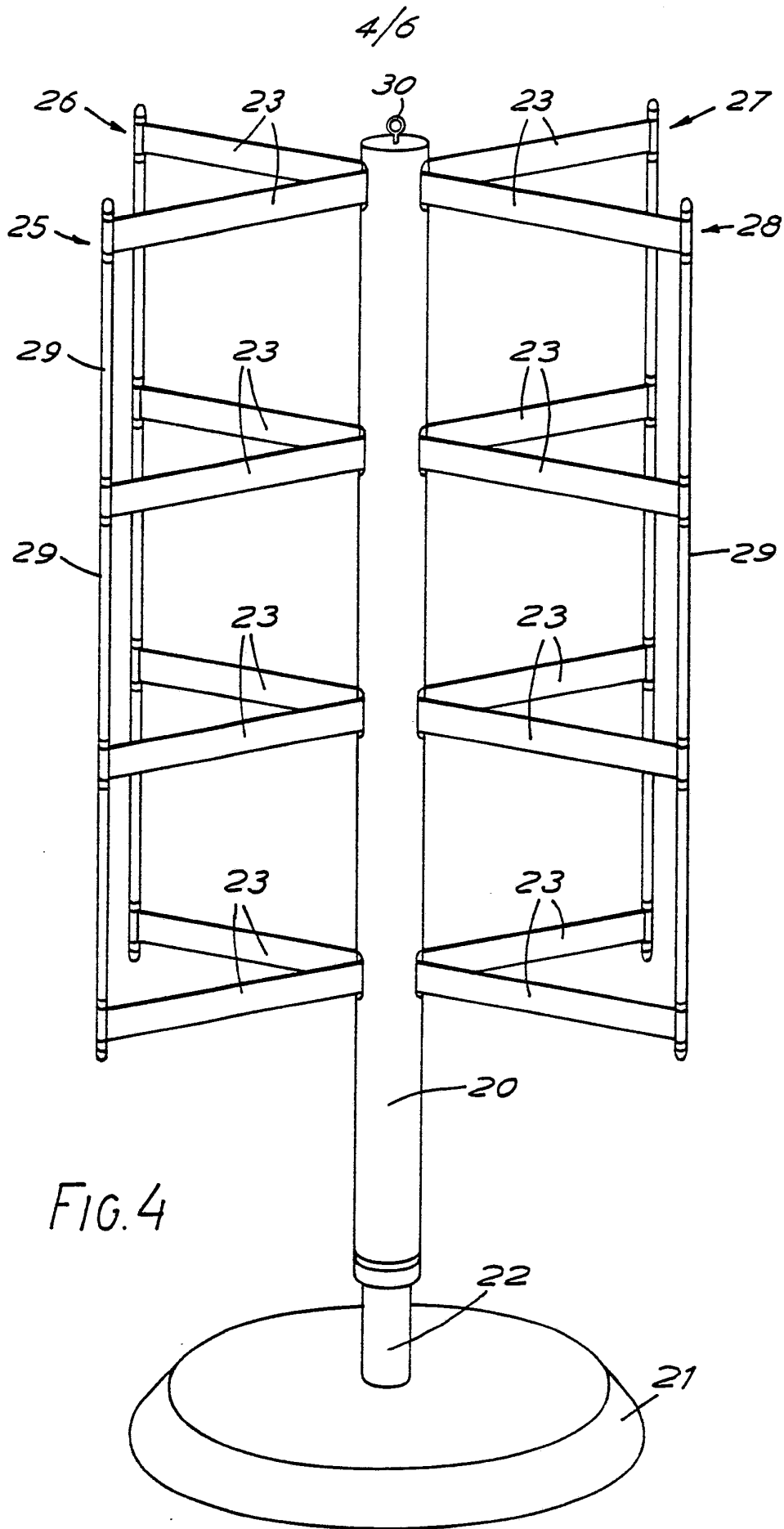


FIG. 4

5/6

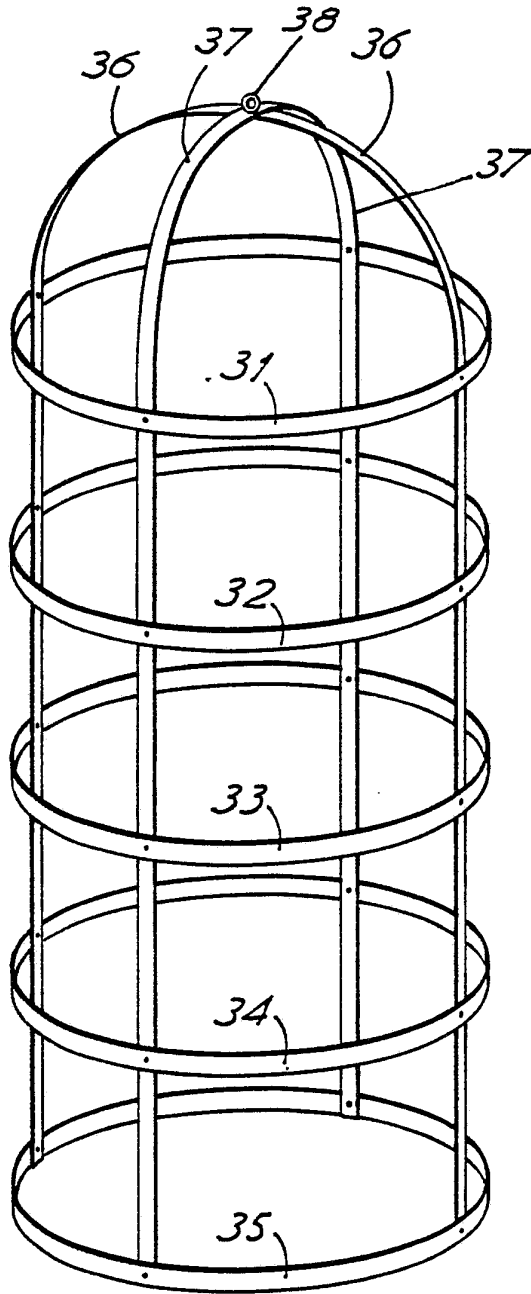


FIG. 5

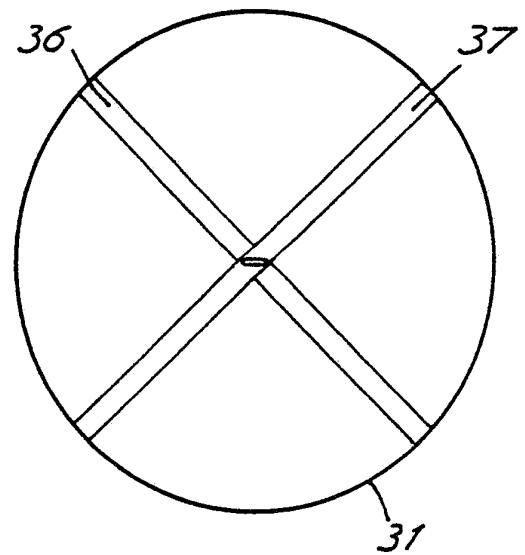


FIG. 6

6/6

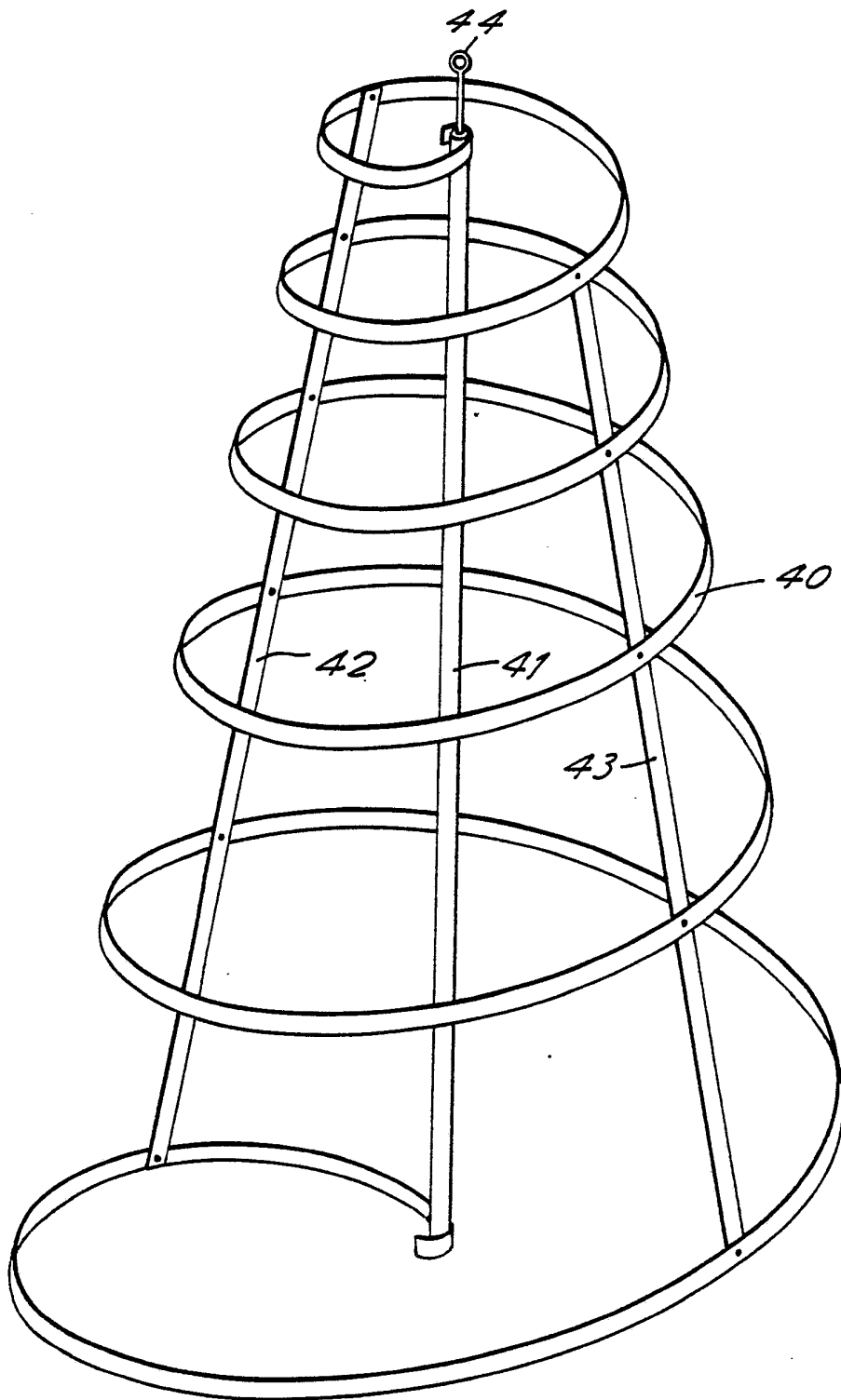


FIG. 7

INTERNATIONAL SEARCH REPORT

International Application No

PCT/GB 89/00224

I. CLASSIFICATION OF SUBJECT MATTER (if several classification symbols apply, indicate all) ⁶				
According to International Patent Classification (IPC) or to both National Classification and IPC Int.Cl. 4 A47G1/12				
II. FIELDS SEARCHED				
Minimum Documentation Searched ⁷				
Classification System	Classification Symbols			
Int.Cl. 4	A47G ; A47F			
Documentation Searched other than Minimum Documentation to the Extent that such Documents are Included in the Fields Searched ⁸				
III. DOCUMENTS CONSIDERED TO BE RELEVANT⁹				
Category ¹⁰	Citation of Document, ¹¹ with indication, where appropriate, of the relevant passages ¹²	Relevant to Claim No. ¹³		
X	GB,A,2181049 (TAYLOR-BACH ET AL.) 15 April 1987 see figures 1-3 ---	1-4, 8		
X	US,A,3924749 (WESTON) 09 December 1975 see figure 1 see figure 2 ---	1-4, 8		
A	---	5-7, 9		
X	US,A,4121720 (HAYES) 24 October 1978 see figure 1 ---	1-4, 10		
X	US,A,1888839 (SMITH) 22 November 1932 see figure 1 ---	1-4		
A	---	5		
A	US,A,4462497 (MAULE) 31 July 1984 see figure 3 ---	1-4, 8, 9		
A	US,A,4331720 (VIN DICK ET AL.) 25 May 1982 see figures 4, 6 ---	1, 11		
<p>¹⁰ Special categories of cited documents :</p> <table style="width: 100%; border: none;"> <tr> <td style="width: 50%; border: none;"> <p>"A" document defining the general state of the art which is not considered to be of particular relevance</p> <p>"E" earlier document but published on or after the international filing date</p> <p>"I" document which may throw doubts on priority claim(s) or which is cited to establish the publication date of another citation or other special reason (as specified)</p> <p>"O" document referring to an oral disclosure, use, exhibition or other means</p> <p>"P" document published prior to the international filing date but later than the priority date claimed</p> </td> <td style="width: 50%; border: none;"> <p>"T" later document published after the international filing date or priority date and not in conflict with the application but cited to understand the principle or theory underlying the invention</p> <p>"X" document of particular relevance; the claimed invention cannot be considered novel or cannot be considered to involve an inventive step</p> <p>"Y" document of particular relevance; the claimed invention cannot be considered to involve an inventive step when the document is combined with one or more other such documents, such combination being obvious to a person skilled in the art.</p> <p>"&" document member of the same patent family</p> </td> </tr> </table>			<p>"A" document defining the general state of the art which is not considered to be of particular relevance</p> <p>"E" earlier document but published on or after the international filing date</p> <p>"I" document which may throw doubts on priority claim(s) or which is cited to establish the publication date of another citation or other special reason (as specified)</p> <p>"O" document referring to an oral disclosure, use, exhibition or other means</p> <p>"P" document published prior to the international filing date but later than the priority date claimed</p>	<p>"T" later document published after the international filing date or priority date and not in conflict with the application but cited to understand the principle or theory underlying the invention</p> <p>"X" document of particular relevance; the claimed invention cannot be considered novel or cannot be considered to involve an inventive step</p> <p>"Y" document of particular relevance; the claimed invention cannot be considered to involve an inventive step when the document is combined with one or more other such documents, such combination being obvious to a person skilled in the art.</p> <p>"&" document member of the same patent family</p>
<p>"A" document defining the general state of the art which is not considered to be of particular relevance</p> <p>"E" earlier document but published on or after the international filing date</p> <p>"I" document which may throw doubts on priority claim(s) or which is cited to establish the publication date of another citation or other special reason (as specified)</p> <p>"O" document referring to an oral disclosure, use, exhibition or other means</p> <p>"P" document published prior to the international filing date but later than the priority date claimed</p>	<p>"T" later document published after the international filing date or priority date and not in conflict with the application but cited to understand the principle or theory underlying the invention</p> <p>"X" document of particular relevance; the claimed invention cannot be considered novel or cannot be considered to involve an inventive step</p> <p>"Y" document of particular relevance; the claimed invention cannot be considered to involve an inventive step when the document is combined with one or more other such documents, such combination being obvious to a person skilled in the art.</p> <p>"&" document member of the same patent family</p>			
IV. CERTIFICATION				
Date of the Actual Completion of the International Search	Date of Mailing of this International Search Report			
29 JUNE 1989	19. 07. 89			
International Searching Authority	Signature of Authorized Officer			
EUROPAN PATENT OFFICE	BEUGELING G. L. H.			

ANNEX TO THE INTERNATIONAL SEARCH REPORT
ON INTERNATIONAL PATENT APPLICATION NO.

PCT/GB 89/00224
SA 27640

This annex lists the patent family members relating to the patent documents cited in the above-mentioned international search report.
The members are as contained in the European Patent Office EDP file on

The European Patent Office is in no way liable for these particulars which are merely given for the purpose of information. 29/06/89

Patent document cited in search report	Publication date	Patent family member(s)	Publication date
GB ¹ A-2181049	15-04-87	None	
US-A-3924749	09-12-75	None	
US-A-4121720	24-10-78	None	
US-A-1888839		None	
US-A-4462497	31-07-84	None	
US-A-4331720	25-05-82	None	

EPO FORM P0479

For more details about this annex : see Official Journal of the European Patent Office, No. 12/82