



(12) **United States Design Patent**
Kim et al.

(10) **Patent No.:** **US D1,001,123 S**
(45) **Date of Patent:** **** Oct. 10, 2023**

(54) **TABLET COMPUTER**

(71) Applicant: **Shopify Inc.**, Ottawa (CA)

(72) Inventors: **Jonathan Kim**, Toronto (CA); **Andrew Ferrier**, Toronto (CA); **Dave Waddell**, Nelson (CA); **Michael Joseph Defazio**, Fonthill (CA); **Silvana Zaldivar**, Toronto (CA)

(73) Assignee: **Shopify Inc.**, Ottawa (CA)

(**) Term: **15 Years**

(21) Appl. No.: **29/761,407**

(22) Filed: **Dec. 9, 2020**

(51) **LOC (14) Cl.** **14-02**

(52) **U.S. Cl.**

USPC **D14/341**

(58) **Field of Classification Search**

USPC D14/300, 341, 496, 138 G, 138 C;
D21/324, 329

CPC H04B 1/3888; H04M 1/0202; H04M
1/0266; H04M 1/725; A45C 11/00; A45C
13/02; A45C 2011/002; A45C 2011/003;
G06F 1/1626; G06F 1/1628; G06F
1/1629; G06F 1/1669; G06F 1/1679;
G06F 3/041; G06F 3/0412; G06F 3/0416;
G06F 3/0488; G06F 3/04883; G06F
3/04886

See application file for complete search history.

(56) **References Cited**

U.S. PATENT DOCUMENTS

D671,940	S	*	12/2012	Kim	D14/374
D675,203	S	*	1/2013	Yang	D14/341
D687,826	S	*	8/2013	Jeon	D14/341
D689,048	S	*	9/2013	Wang	D14/341
D712,402	S	*	9/2014	Park	D14/341
D712,403	S	*	9/2014	Park	D14/341
D761,901	S	*	7/2016	Kim	D14/371

D783,600	S	*	4/2017	Green	D14/341
D805,050	S	*	12/2017	Lim	D14/126
D869,418	S	*	12/2019	Lim	D14/126

(Continued)

OTHER PUBLICATIONS

Shopify launches new retail hardware to transform in-store shopping, www.news.shopify.com, Apr. 25, 2019. https://news.shopify.com/shopify-launches-new-retail-hardware-to-transform-in-store-shopping (Year: 2019).*

(Continued)

Primary Examiner — Llorelys Martinez

Assistant Examiner — Kwabena A. Ankobiah

(74) *Attorney, Agent, or Firm* — Rowand LLP

(57) **CLAIM**

The ornamental design for a tablet computer, as shown and described.

DESCRIPTION

FIG. 1 is a front right upper perspective view of a tablet computer showing our new design.

FIG. 2 is a rear left lower perspective view of the tablet computer of FIG. 1.

FIG. 3 is another rear left lower perspective view of the table computer of FIG. 1.

FIG. 4 is a rear right upper perspective view of the tablet computer of FIG. 1.

FIG. 5 is a front view of the tablet computer of FIG. 1.

FIG. 6 is a rear view of the tablet computer of FIG. 1.

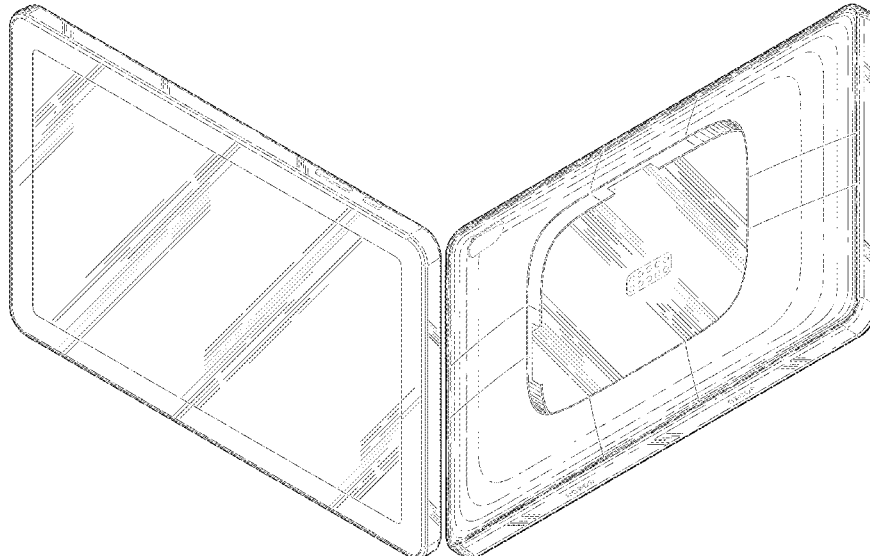
FIG. 7 is a right side view of the tablet computer of FIG. 1.

FIG. 8 is a left side view of the tablet computer of FIG. 1.

FIG. 9 is a top view of the tablet computer of FIG. 1; and,

FIG. 10 is a bottom view of the table computer of FIG. 1. The broken lines in the drawings illustrate portions of the tablet computer and form no part of the claimed design.

1 Claim, 10 Drawing Sheets



(56)

References Cited

U.S. PATENT DOCUMENTS

D923,619	S	*	6/2021	Matsumoto	D14/341
D956,741	S	*	7/2022	Solomon	D14/341
D974,354	S	*	1/2023	Akana	D14/341
D976,898	S	*	1/2023	Akana	D14/341
D978,857	S	*	2/2023	Akana	D14/341
D983,784	S	*	4/2023	Park	D14/341
D985,552	S	*	5/2023	Akana	D14/341
D987,625	S	*	5/2023	Akana	D14/341
D988,313	S	*	6/2023	Akana	D14/341

OTHER PUBLICATIONS

New, contactless payments hardware launched for Canadian retailers using Shopify POS, www.news.shopify.com, May 12, 2020. <https://news.shopify.com/new-contactless-payments-hardware-launched-for-canadian-retailers-using-shopify-pos> (Year: 2020).*

Shopify Sets Up Fulfillment Network in US, Just Like Amazon, www.ttnews.com, Jun. 19, 2019. <https://www.ttnews.com/articles/shopify-sets-fulfillment-network-us-just-amazon> (Year: 2019).*

CA Office Action dated Mar. 9, 2023, CA Application No. 203899.

* cited by examiner

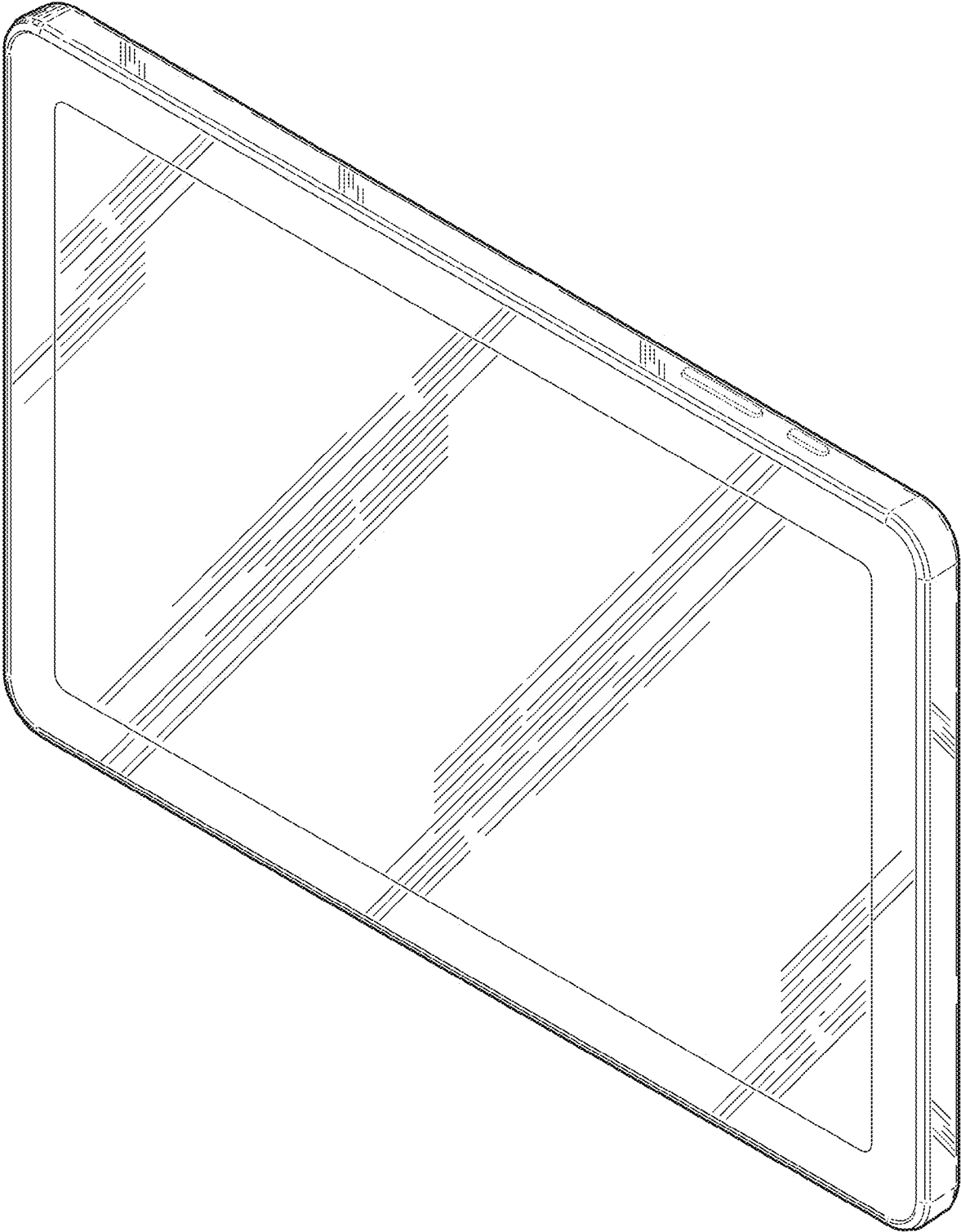


FIG. 1

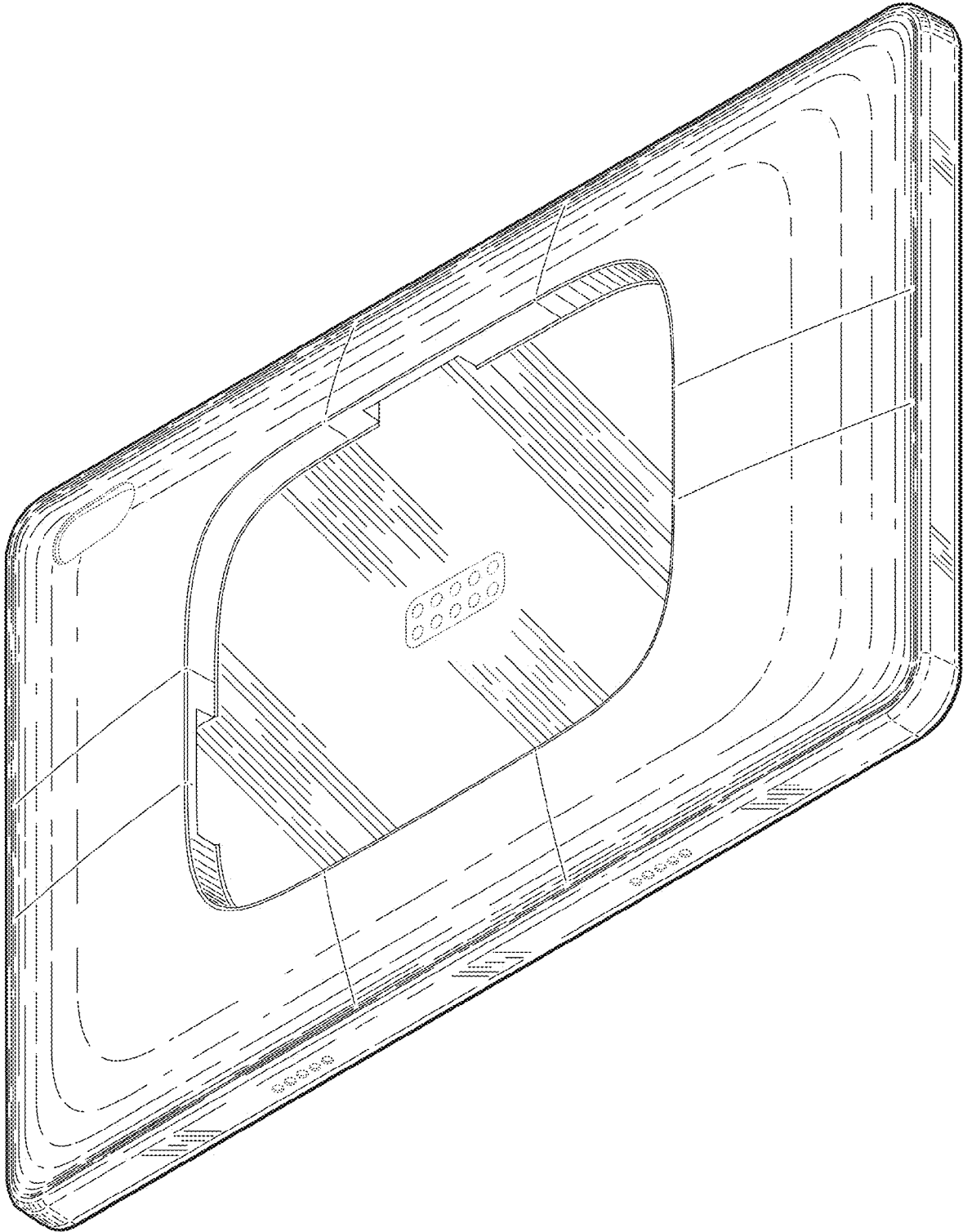


FIG. 2

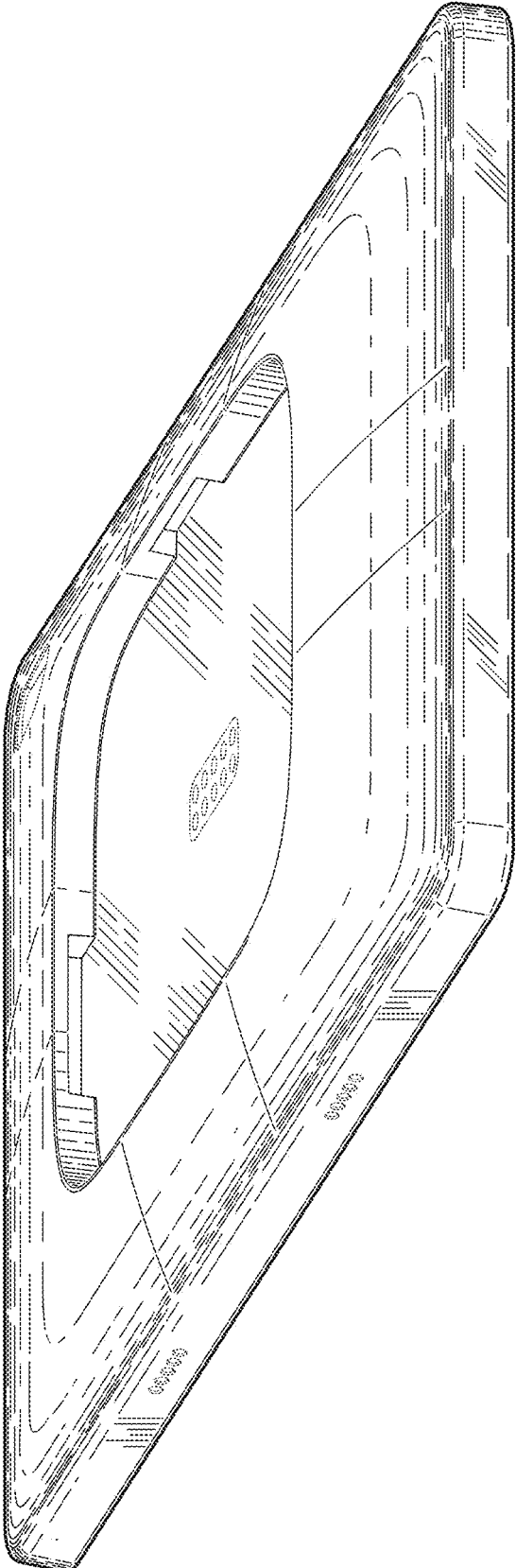


FIG. 3

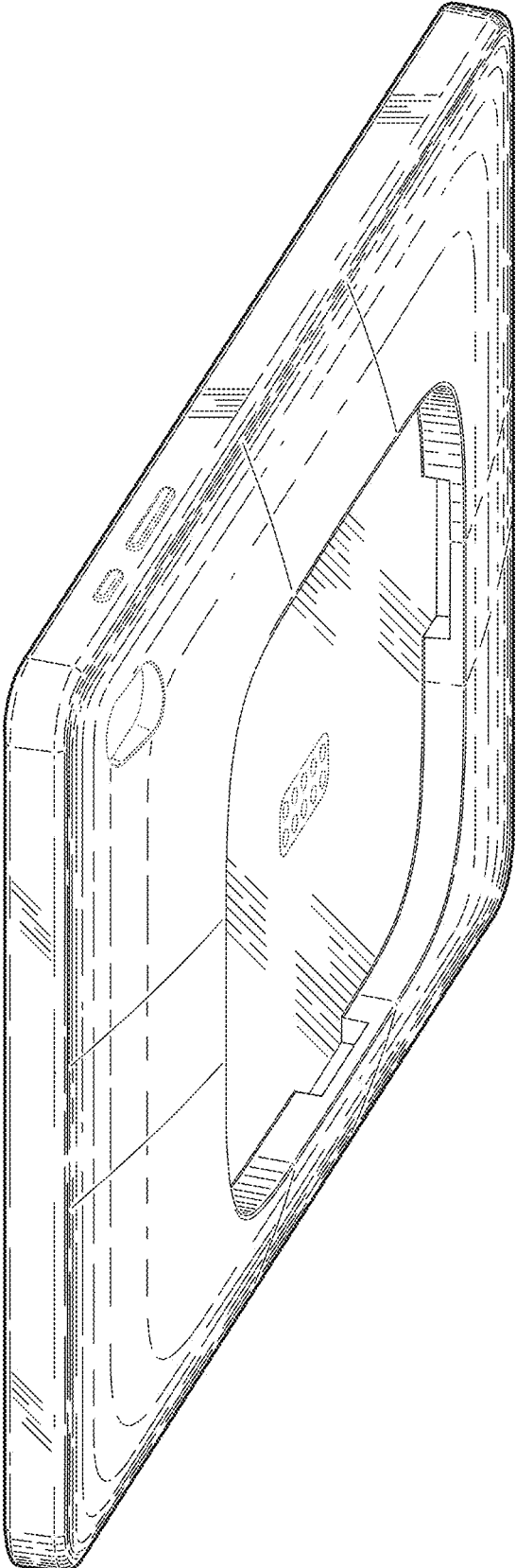


FIG. 4

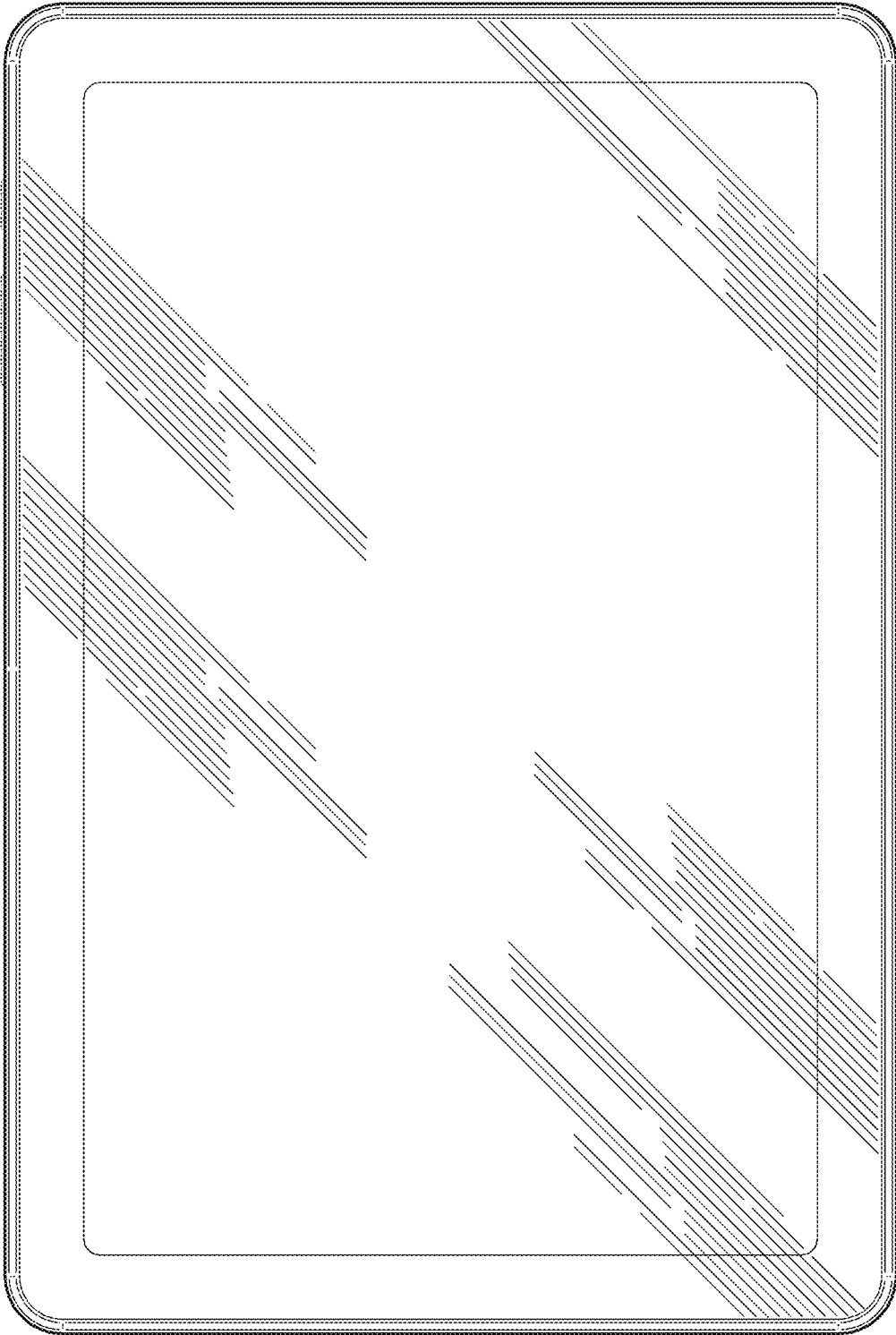


FIG. 5

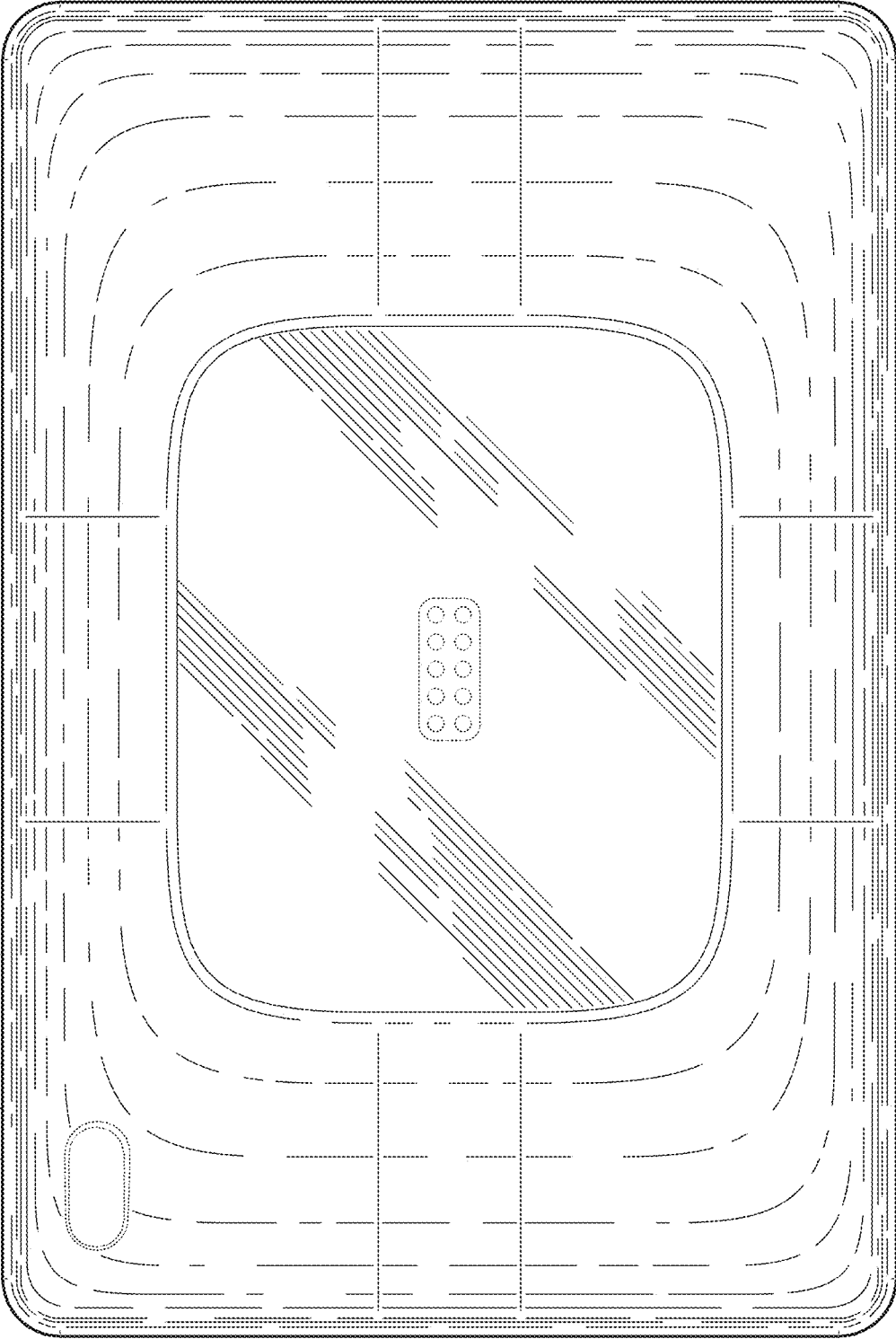


FIG. 6



FIG. 7



FIG. 8

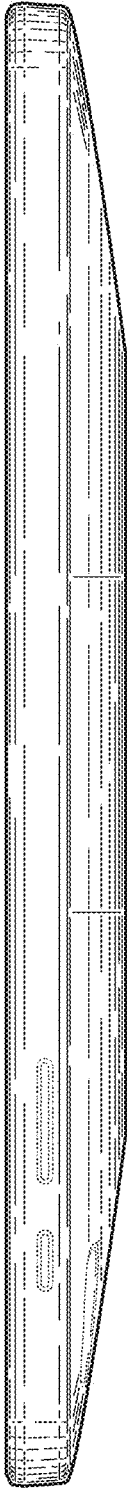


FIG. 9

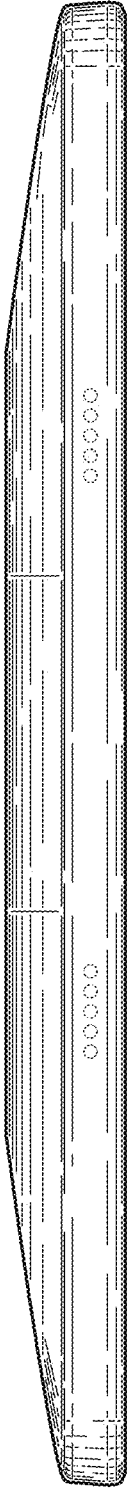


FIG. 10