



US00D664091S

(12) **United States Design Patent**
Pliner et al.

(10) **Patent No.:** **US D664,091 S**

(45) **Date of Patent:** **** Jul. 24, 2012**

(54) **SMARTPHONE CHARGING PLUG SYSTEM**

(75) Inventors: **Yishai Z. Pliner**, New York, NY (US);
Lloyd Gladstone, Boca Raton, FL (US)

(73) Assignee: **Anthem Grand, LLC**, Boca Raton, FL (US)

(**) Term: **14 Years**

(21) Appl. No.: **29/414,667**

(22) Filed: **Mar. 1, 2012**

(51) **LOC (9) Cl.** **13-02**

(52) **U.S. Cl.** **D13/108**

(58) **Field of Classification Search** D13/107-110,
D13/118-119, 184; D14/250-253, 432,
D14/434, 440, 203.3-203.7, 217, 496, 248,
D14/238.1; 320/107-115; D3/201, 218,
D3/269, 301, 273, 303

See application file for complete search history.

(56) **References Cited**

U.S. PATENT DOCUMENTS

D597,089	S	*	7/2009	Khan et al.	D14/250
D617,784	S	*	6/2010	Richardson et al.	D14/250
D624,908	S	*	10/2010	Huskinson	D14/250
D624,909	S	*	10/2010	Huskinson	D14/250
7,859,222	B2	*	12/2010	Woud	320/115
D634,741	S	*	3/2011	Richardson et al.	D14/250
D637,589	S	*	5/2011	Willes et al.	D14/250
D641,013	S	*	7/2011	Richardson et al.	D14/250
D642,169	S	*	7/2011	Andre et al.	D14/250
D644,168	S	*	8/2011	Bishay et al.	D13/102
D647,519	S	*	10/2011	Rothbaum et al.	D14/250
D658,166	S	*	4/2012	Bau	D14/250
D658,644	S	*	5/2012	Melanson et al.	D14/250
2009/0160399	A1	*	6/2009	Woud	320/115
2009/0160400	A1	*	6/2009	Woud	320/115
2010/0013431	A1	*	1/2010	Liu	320/108
2012/0013294	A1	*	1/2012	Yeh	320/108

2012/0013295 A1* 1/2012 Yeh 320/108
* cited by examiner

Primary Examiner — Rosemary K Tarcza

(74) *Attorney, Agent, or Firm* — Gordon & Rees LLP

(57) **CLAIM**

The ornamental design for a smartphone charging plug system device, as shown and described.

DESCRIPTION

FIG. 1 is a bottom front perspective view of the smartphone charging plug system with the smartphone shown in dotted lines.

FIG. 2 is a bottom front perspective view of the smartphone charging plug system with the smartphone removed.

FIG. 3 is a top front perspective view of the smartphone charging plug system.

FIG. 4 is a bottom rear perspective view of the smartphone charging plug system with the plugs retracted.

FIG. 5 is a bottom rear perspective view of the smartphone charging plug system with the plugs extended.

FIG. 6 is a bottom plan view of the smartphone charging plug system.

FIG. 7 is a top plan view of the smartphone charging plug system.

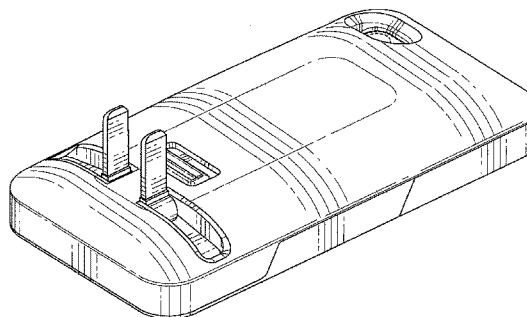
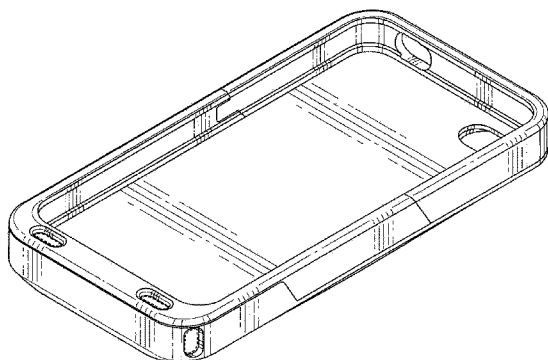
FIG. 8 is a left side elevation view of the smartphone charging plug system.

FIG. 9 is a right side elevation view of the smartphone charging plug system.

FIG. 10 is a front plan view of the smartphone charging plug system with the smartphone shown in dotted lines; and, FIG. 11 is a rear plan view of the smartphone charging plug system.

The broken lines showing are for illustrative purposes and forms no part of the claimed design.

1 Claim, 9 Drawing Sheets



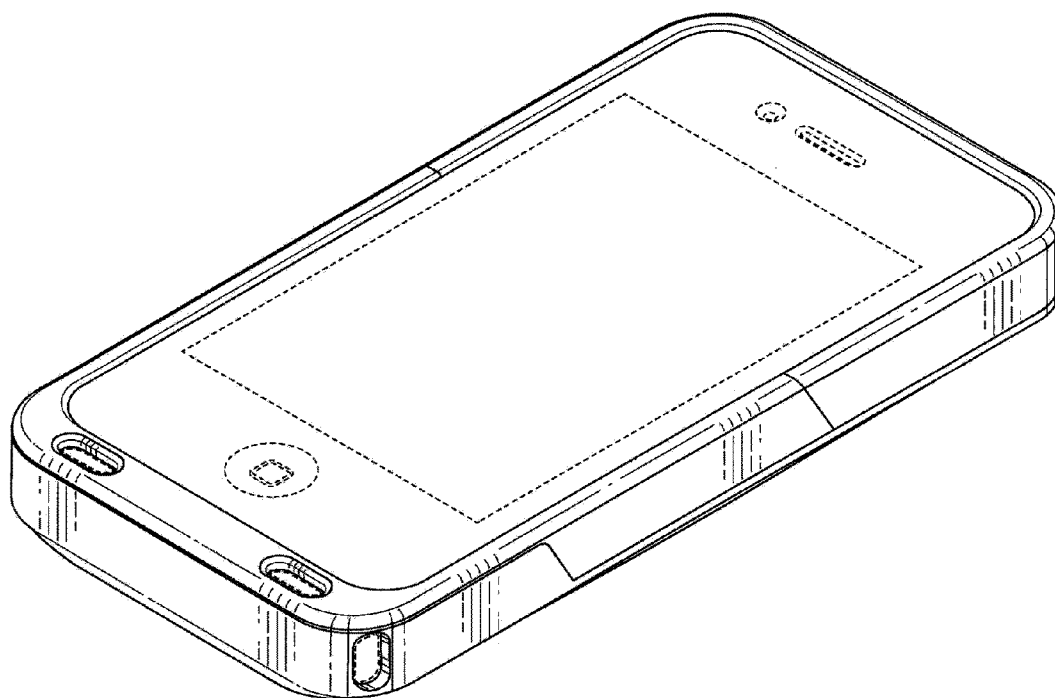


FIG. 1

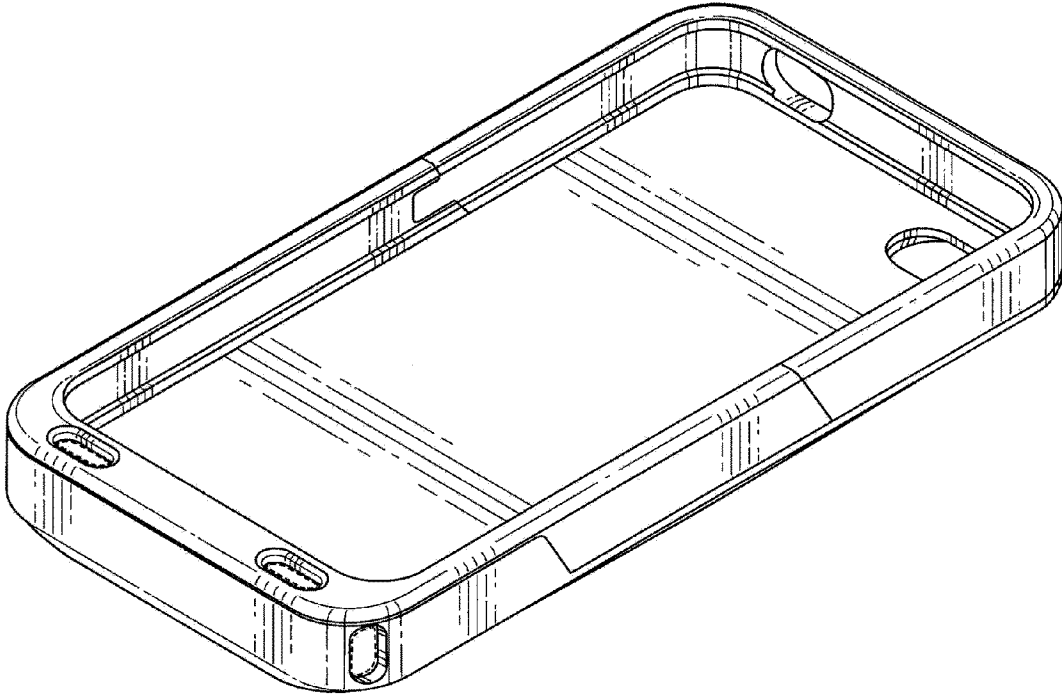


FIG. 2

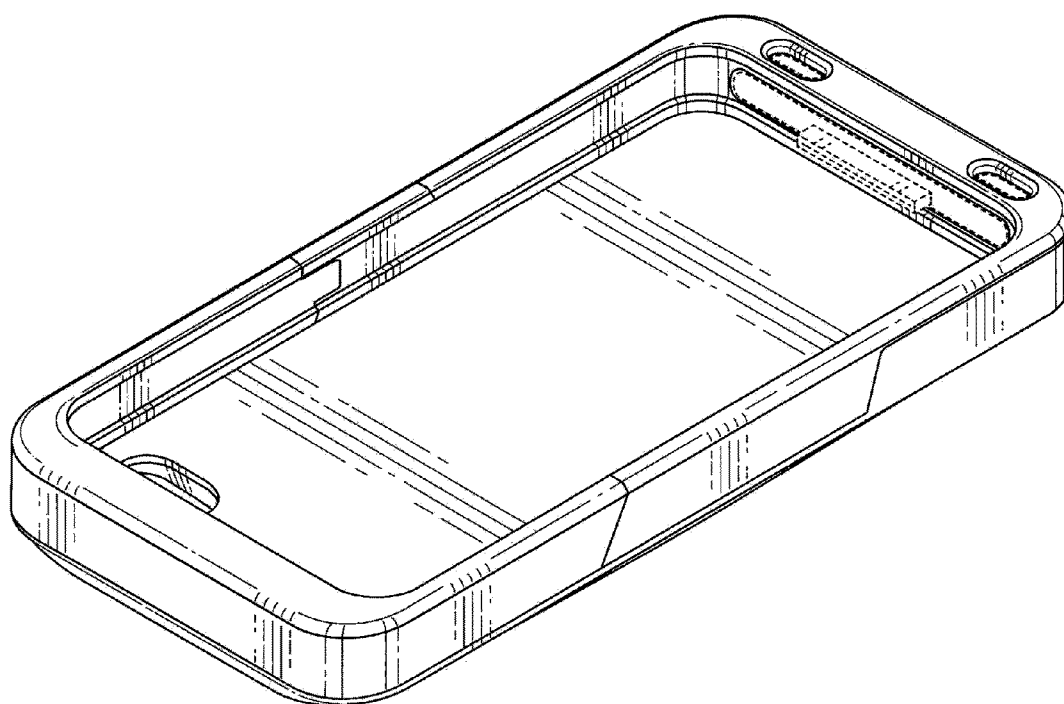


FIG. 3

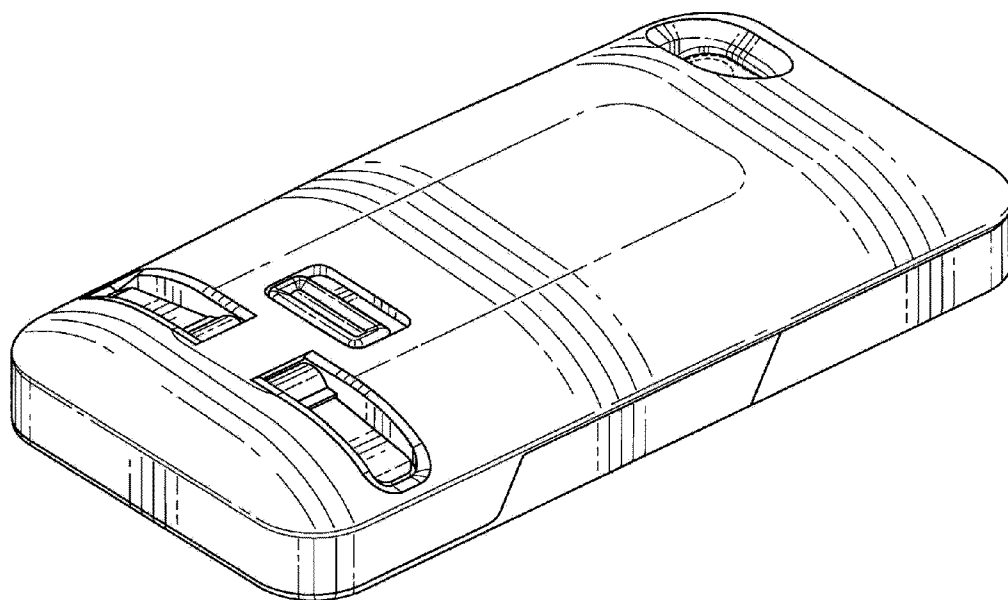


FIG. 4

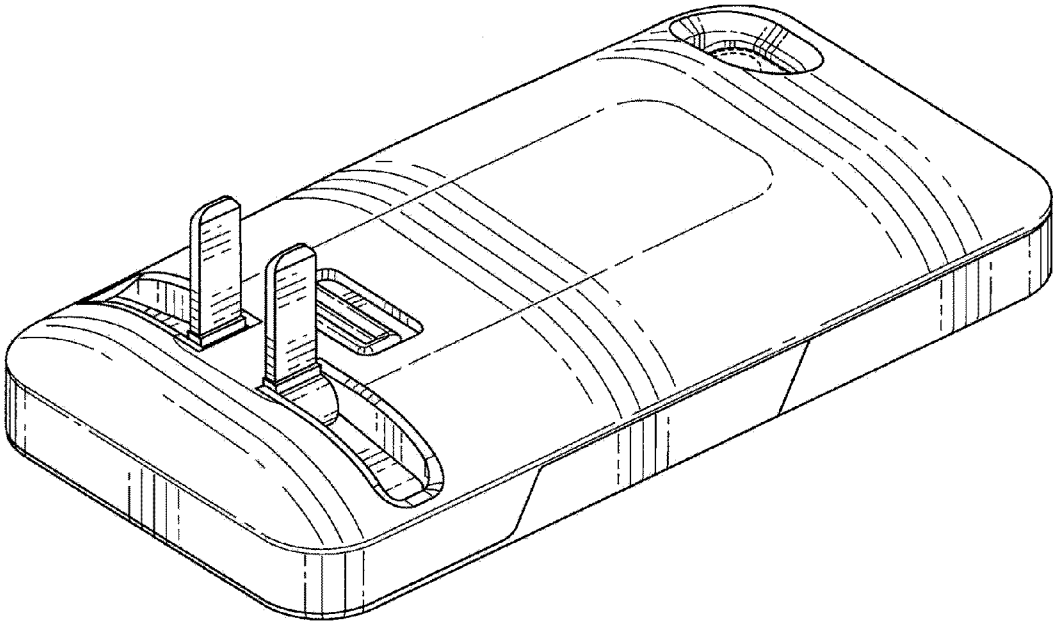


FIG. 5

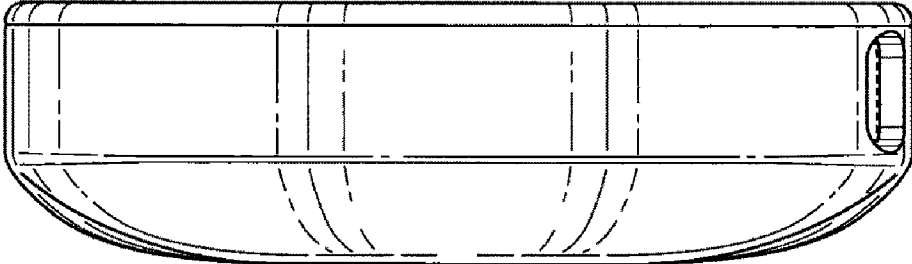


FIG. 6

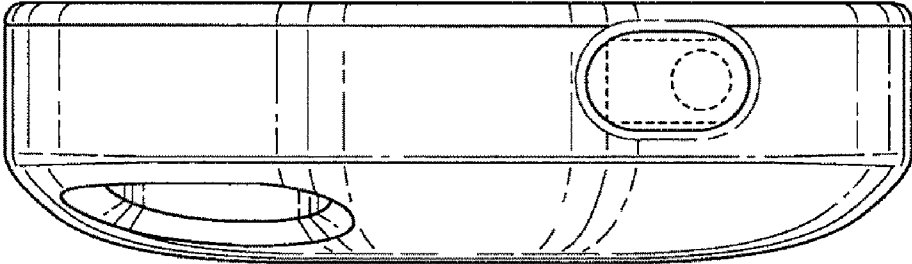


FIG. 7

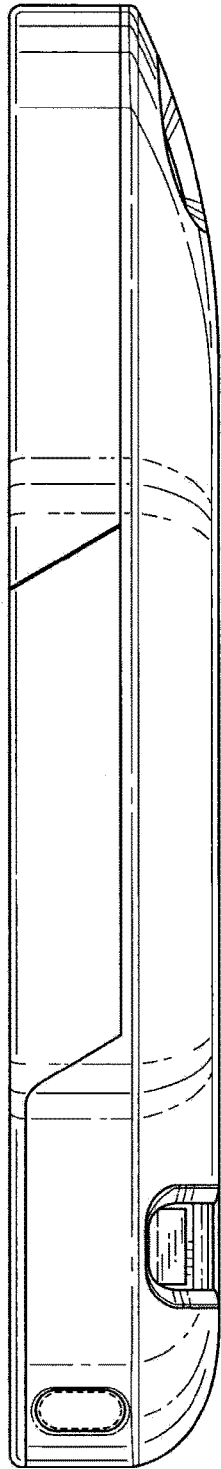


FIG. 8

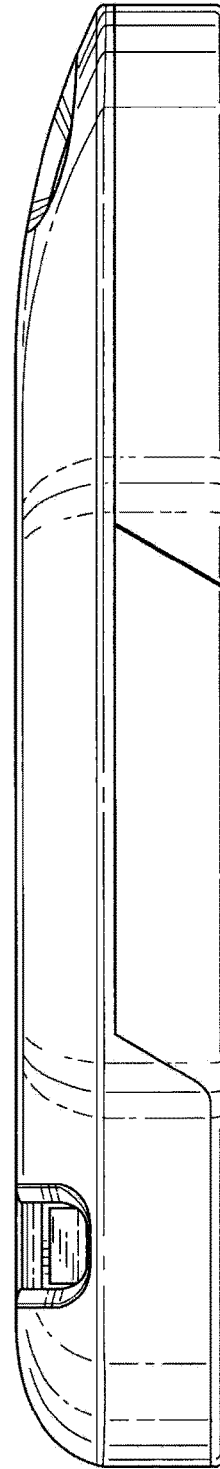


FIG. 9

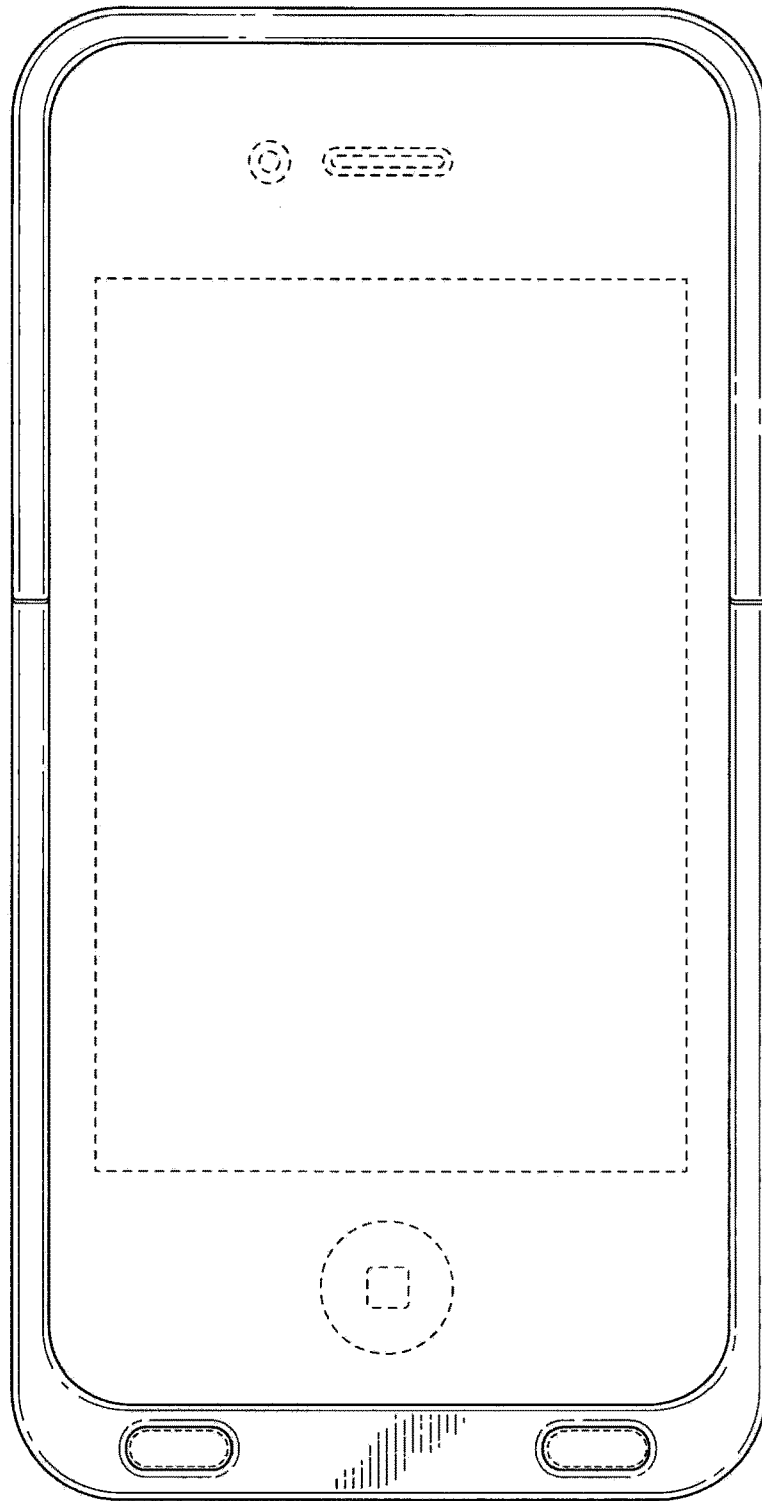


FIG. 10

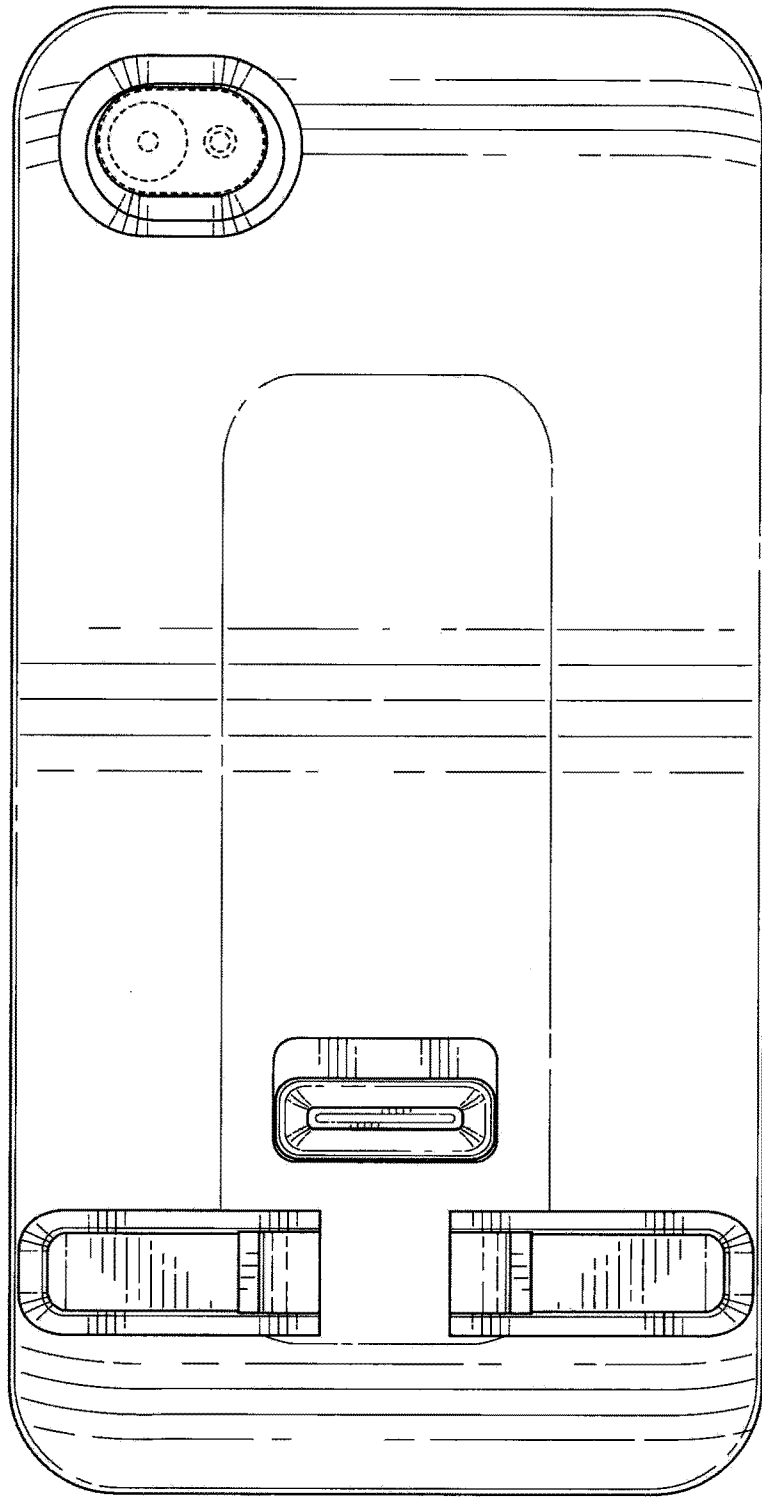


FIG. 11