



US00D465540S

(12) **United States Design Patent**
Peterson

(10) **Patent No.:** **US D465,540 S**

(45) **Date of Patent:** **** Nov. 12, 2002**

- (54) **INFLATABLE LOUNGE**
- (75) Inventor: **Leroy L. Peterson, Omaha, NE (US)**
- (73) Assignee: **Sportsstuff, Inc., Omaha, NE (US)**
- (**) Term: **14 Years**
- (21) Appl. No.: **29/155,700**
- (22) Filed: **Feb. 14, 2002**
- (51) **LOC (7) Cl.** **21-02**
- (52) **U.S. Cl.** **D21/803**
- (58) **Field of Search** D21/803, 801,
D21/809, 769, 770; D12/316; 441/129-132,
66, 40, 43, 88-101

6,012,778 A	*	1/2000	Peterson	441/131
D428,092 S	*	7/2000	Peterson	D21/803
D435,240 S	*	12/2000	Peterson	D21/803
D437,283 S	*	2/2001	Peterson	D21/803

* cited by examiner

Primary Examiner—Lucy Lieberman

(74) *Attorney, Agent, or Firm*—Henderson & Sturm LLP

(57) **CLAIM**

The ornamental design for an inflatable lounge, as shown and described.

DESCRIPTION

FIG. 1 is a perspective view of the inflatable lounge showing my new design;
 FIG. 2 is a top plan view thereof;
 FIG. 3 is a right side elevational view thereof;
 FIG. 4 is a left side elevational view thereof;
 FIG. 5 is a front elevational view thereof;
 FIG. 6 is a rear elevational thereof; and,
 FIG. 7 is a bottom plan view thereof.

1 Claim, 3 Drawing Sheets

- (56) **References Cited**
- U.S. PATENT DOCUMENTS**
- 4,101,996 A * 7/1978 Mikulecky
- D287,528 S * 12/1986 Maxwell et al. D21/803
- 5,476,404 A * 12/1995 Price 441/129
- D407,784 S * 4/1999 Peterson D21/803

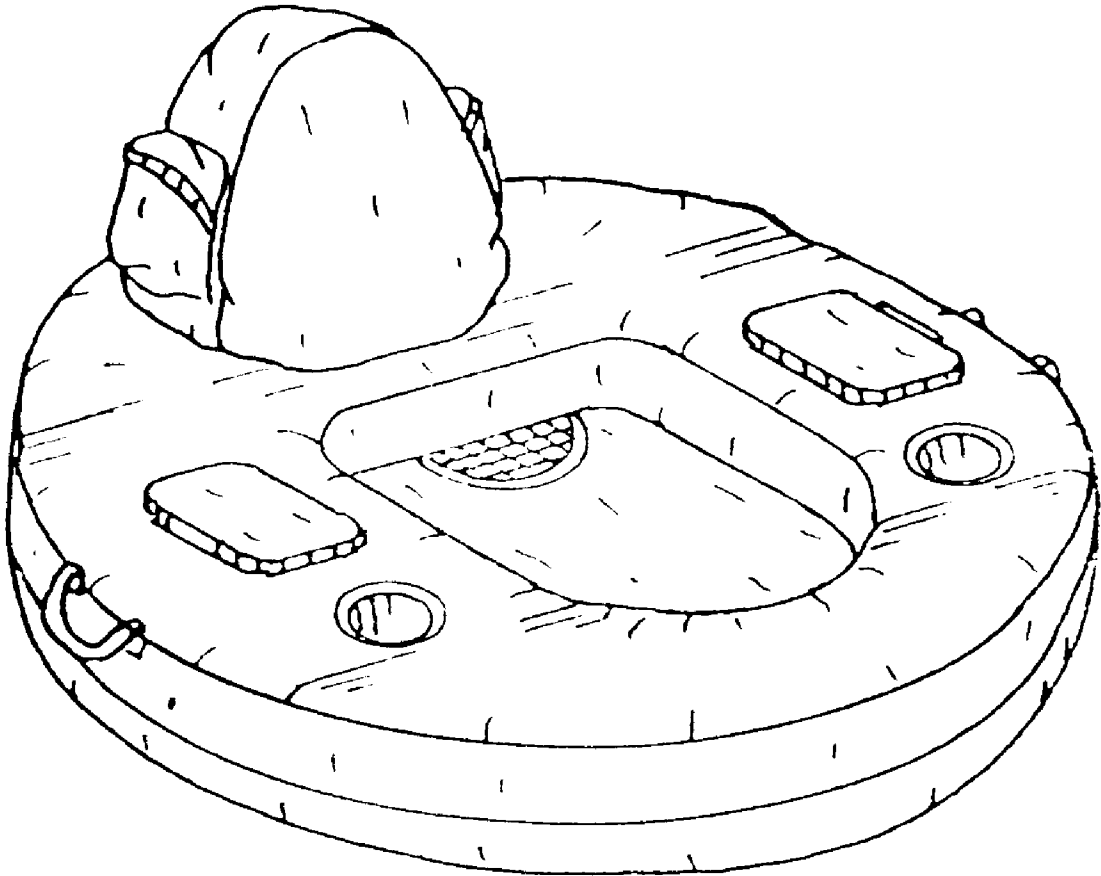


Fig. 1

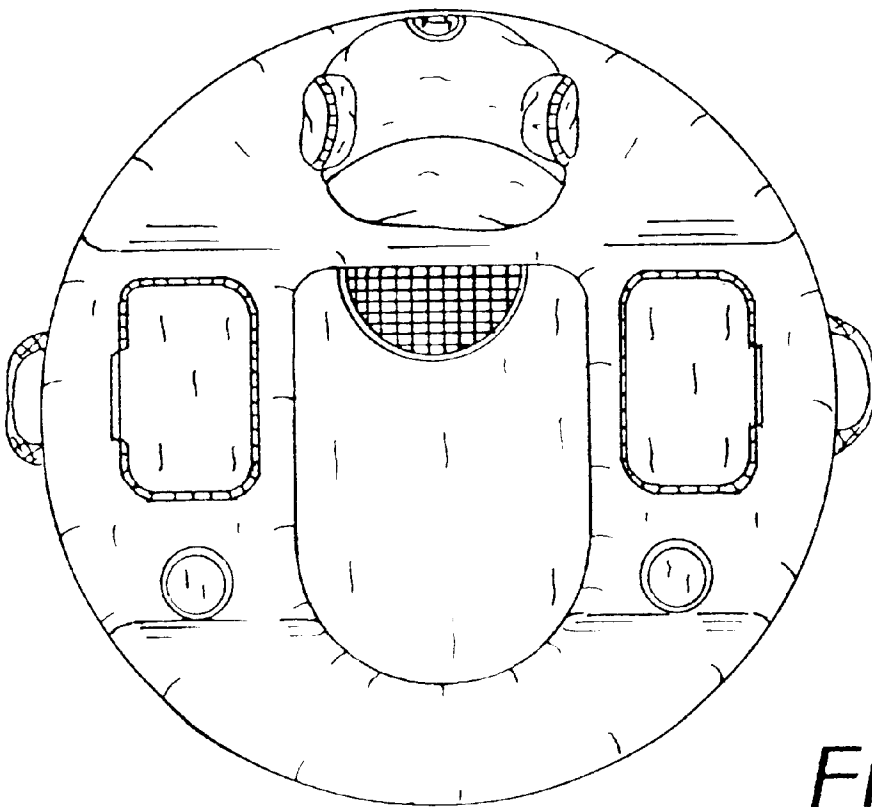
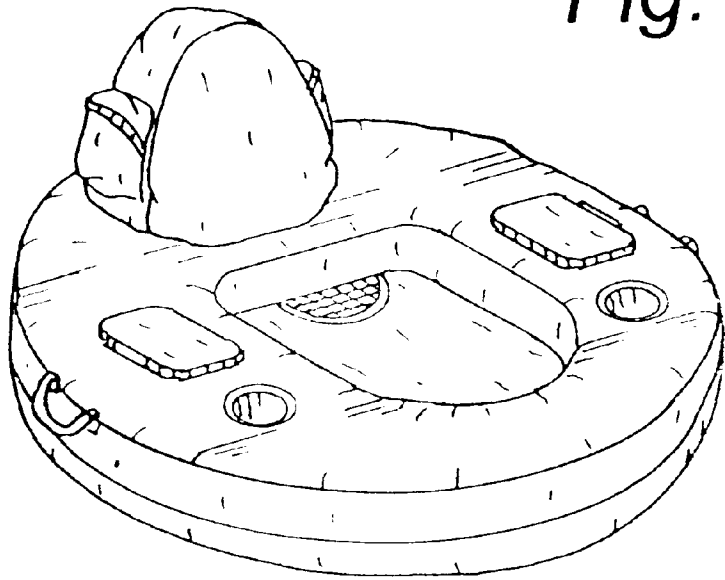


Fig. 2

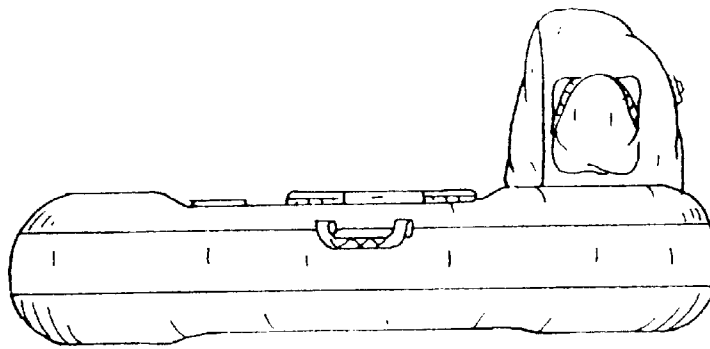


Fig. 3

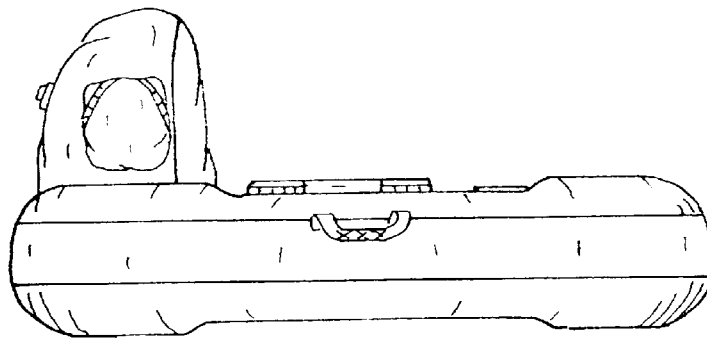


Fig. 4

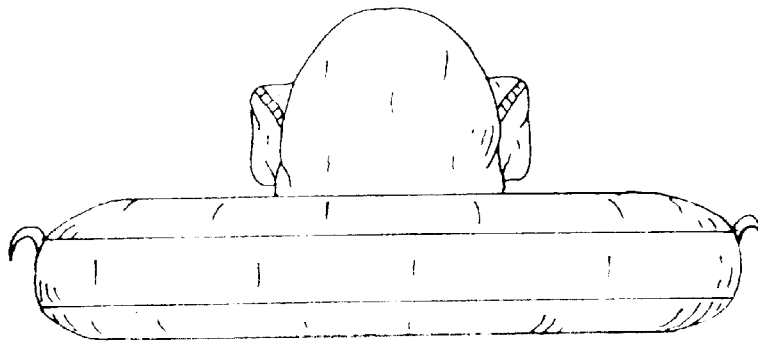


Fig. 5

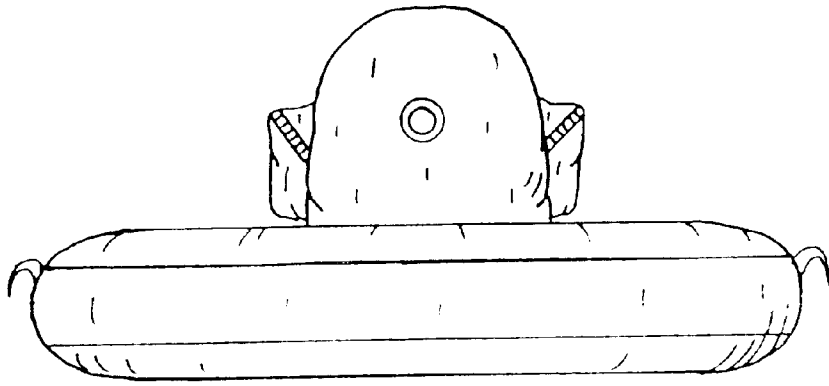


Fig. 6

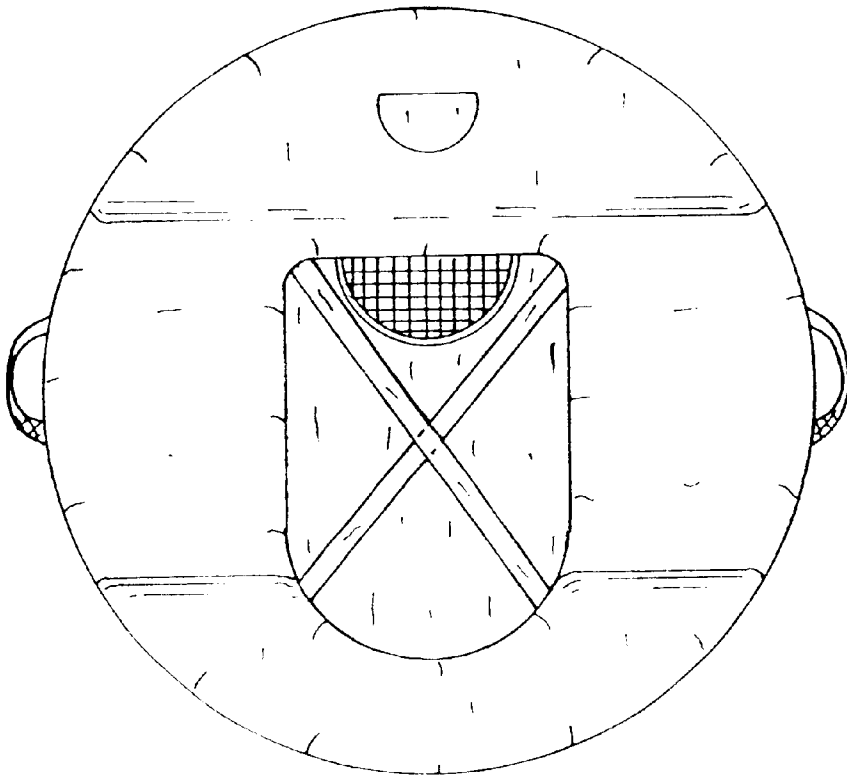


Fig. 7