



(12) **United States Design Patent**  
**Harrington**

(10) **Patent No.:** **US D829,526 S**  
(45) **Date of Patent:** **\*\* Oct. 2, 2018**

- (54) **TOOL HANDLE**
- (71) Applicant: **Unger Marketing International, LLC**,  
Bridgeport, CT (US)
- (72) Inventor: **William Harrington**, Charlestown, RI  
(US)
- (73) Assignee: **UNGER MARKETING  
INTERNATIONAL, LLC**, Bridgeport,  
CT (US)

1,353,490 A 9/1920 Pantalek  
 1,452,893 A 4/1923 Porth  
 1,463,745 A 7/1923 Layne  
 1,500,132 A 7/1924 Hummelgard  
 1,603,914 A 10/1926 Hermann  
 1,584,021 A 5/1928 Melvin  
 1,864,011 A 6/1932 Brown  
 2,032,664 A 3/1936 Raptis  
 (Continued)

(\*\*) Term: **15 Years**

(21) Appl. No.: **29/595,400**

(22) Filed: **Feb. 28, 2017**

**Related U.S. Application Data**

- (62) Division of application No. 29/525,464, filed on Apr. 29, 2015, now Pat. No. Des. 782,271.
- (51) **LOC (11) Cl.** ..... **08-06**
- (52) **U.S. Cl.**  
USPC ..... **D8/107**
- (58) **Field of Classification Search**  
USPC ..... D8/14, 51, 107, 300, 88, 89, 323, 70,  
D8/363; D32/40, 41, 42, 46, 48, 49, 50,  
D32/51  
CPC ... B25G 1/04; B25G 1/06; B25G 3/00; B25G  
3/38; B25G 1/063  
See application file for complete search history.

(56) **References Cited**

**U.S. PATENT DOCUMENTS**

656,468 A 8/1900 Mullin  
 693,518 A 2/1902 Hamilton  
 731,338 A 6/1903 Cattelle  
 736,741 A 8/1903 Klemm  
 952,746 A 3/1910 Lane  
 1,068,683 A 7/1913 Malek  
 1,315,901 A 9/1919 Ballinger

**FOREIGN PATENT DOCUMENTS**

DE 3520187 12/1986  
 GB 2085789 5/1982  
 WO 0006347 2/2000

**OTHER PUBLICATIONS**

Written Opinion of the International Searching Authority for PCT/  
 US2015/068211 dated Feb. 26, 2016, 7 pages.  
 (Continued)

*Primary Examiner* — Philip S Hyder  
 (74) *Attorney, Agent, or Firm* — Ohlandt, Greeley,  
 Ruggiero & Perle, L.L.P.

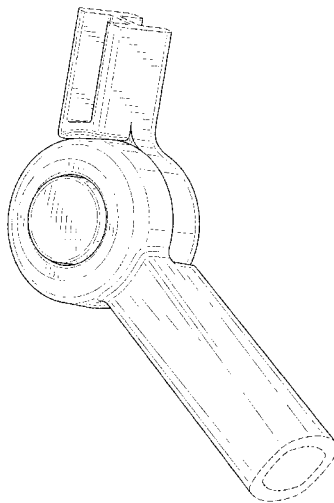
(57) **CLAIM**

The ornamental design for a tool handle, as shown and described.

**DESCRIPTION**

FIG. 1 is a front perspective view of a tool handle;  
 FIG. 2 is a first side view of the tool handle of FIG. 1;  
 FIG. 3 is a second, opposite view of the tool handle of FIG. 1;  
 FIG. 4 is a front view of the tool handle of FIG. 1;  
 FIG. 5 is a back view of the tool handle of FIG. 1;  
 FIG. 6 is a top view of the tool handle of FIGS. 1; and,  
 FIG. 7 is a bottom view of the tool handle of FIG. 1.  
 The broken lines depict the boundaries of the claimed design.

**1 Claim, 5 Drawing Sheets**



(56)

References Cited

U.S. PATENT DOCUMENTS

2,119,045	A	5/1938	Deitrich	RE34,979	E	6/1995	Gringer	
2,145,985	A	2/1939	Krajicek	5,426,855	A	6/1995	Keklak	
2,245,096	A	6/1941	Penney	5,433,004	A	7/1995	Thompson	
2,276,026	A	3/1942	Davidson	5,435,064	A	7/1995	Brookfield	
2,286,190	A	6/1942	Abrahamsen	5,445,981	A	8/1995	Lee	
2,336,284	A	12/1943	Nelson	D364,252	S	11/1995	Henke	
2,376,887	A	5/1945	Lewis	5,471,698	A	12/1995	Francis	
2,730,800	A	1/1956	Bailey	5,481,804	A	1/1996	Platts	
2,783,537	A	3/1957	Gringer	5,495,673	A	3/1996	Gardiner	
2,846,764	A	8/1958	Hyneman	5,528,832	A	6/1996	Schmidt	
2,862,296	A	12/1958	Anderson	5,528,834	A	6/1996	Seber	
2,948,961	A	8/1960	Ortner	5,545,175	A	8/1996	Abidin	
3,107,426	A	10/1963	Robinson	5,581,890	A	12/1996	Schmidt	
3,132,371	A	5/1964	Enos	5,581,893	A	12/1996	Oullette	
3,162,947	A	12/1964	Gringer	5,613,300	A	3/1997	Schmidt	
3,192,624	A	7/1965	Gringer	5,621,973	A	4/1997	Seber	
3,250,000	A	5/1966	Schumman	5,694,692	A	12/1997	Reinschreiber	
3,577,637	A	5/1971	Braginetz	5,769,094	A	6/1998	Jenkins	
3,667,122	A	6/1972	Black	5,806,189	A	9/1998	Bailey	
3,688,401	A	9/1972	Hartman	5,813,121	A	9/1998	Gringer	
3,781,988	A	1/1974	Jones	5,852,874	A	12/1998	Walker	
3,879,847	A	4/1975	Roll	5,871,204	A	* 2/1999	Spirer	B25C 11/00 254/26 R
3,892,039	A	7/1975	Fisher	5,878,501	A	4/1999	Owens	
3,906,627	A	9/1975	Manning	5,890,290	A	4/1999	Davis	
D240,370	S	7/1976	Kuehl	D411,429	S	6/1999	Gringer	
D240,699	S	7/1976	Gerson	5,911,761	A	6/1999	Tilley	
4,005,525	A	2/1977	Gringer	5,956,788	A	9/1999	Henke	
4,086,698	A	5/1978	Sparks	D420,882	S	2/2000	Majolo	
4,091,537	A	5/1978	Stevenson	6,018,836	A	2/2000	Williams	
4,103,421	A	8/1978	Quenot	6,026,575	A	2/2000	Wonderley	
4,115,892	A	9/1978	Stickler	6,035,536	A	3/2000	Dewberry	
4,139,939	A	2/1979	Crooks	6,044,562	A	4/2000	Dillenbeck	
4,200,977	A	5/1980	Kageyama	6,058,607	A	5/2000	Gringer	
4,242,795	A	1/1981	Rollband	6,155,620	A	12/2000	Armstrong	
D267,826	S	2/1983	Gringer	6,161,290	A	12/2000	Takamasa	
D274,952	S	7/1984	Gringer	6,178,640	B1	1/2001	Votolato	
D274,953	S	7/1984	Gringer	D437,764	S	2/2001	Zimmerman	
4,558,517	A	12/1985	Gringer	D439,128	S	3/2001	Wass	
D282,881	S	3/1986	Gringer	6,219,878	B1	4/2001	Dewberry	
4,574,417	A	3/1986	Magnasco	6,219,923	B1	4/2001	Sinisi	
4,587,735	A	5/1986	Walters	6,263,577	B1	7/2001	Wonderley	
4,621,425	A	11/1986	Stoutenberg	6,286,215	B1	9/2001	Panaccione	
4,660,284	A	4/1987	Decarolis	6,317,986	B1	11/2001	Huang	
4,805,304	A	2/1989	Knoop	D453,251	S	1/2002	Gringer	
4,817,284	A	4/1989	Sacherman	6,334,254	B1	1/2002	Wonderley	
4,835,865	A	6/1989	Knoop	6,349,473	B1	2/2002	Schmidt	
4,922,569	A	5/1990	Brinker	6,352,888	B1	3/2002	Kim	
D313,507	S	1/1991	Sawyer	6,354,007	B1	3/2002	Scarla	
4,987,682	A	1/1991	Minnick	6,415,514	B1	7/2002	Chun	
D314,696	S	2/1991	Lucrelli	6,438,849	B1	8/2002	Wonderley	
5,012,581	A	5/1991	Fletcher	D463,639	S	9/2002	Panfil	
5,022,156	A	6/1991	Kallens	6,453,559	B1	9/2002	Marshall	
5,025,558	A	6/1991	Gilbert	D467,395	S	12/2002	McCool	
5,031,322	A	7/1991	Jacoff	6,487,778	B1	12/2002	Gringer	
D319,147	S	8/1991	Eberle	D468,989	S	1/2003	Gringer	
D319,378	S	8/1991	Wilcox	6,519,801	B1	2/2003	Chao	
5,036,591	A	8/1991	Cousins	6,530,098	B1	3/2003	Gringer	
5,056,226	A	10/1991	Gringer	6,568,087	B1	5/2003	Gringer	
5,099,539	A	3/1992	Forester	6,578,229	B1	6/2003	Dziallas	
D326,546	S	5/1992	Gringer	6,578,266	B2	6/2003	Chomiak	
5,110,230	A	5/1992	Cole	D478,493	S	8/2003	Martone	
5,121,544	A	6/1992	Gilbert	D479,374	S	9/2003	Gringer	
5,141,517	A	8/1992	Shutt	D479,375	S	9/2003	Gringer	
5,164,871	A	11/1992	Hughes	D480,228	S	10/2003	Delillo	
5,175,902	A	1/1993	Samuelsson	6,643,936	B2	11/2003	Carlson	
D332,901	S	2/1993	Campbell	6,688,003	B2	2/2004	Scarla	
5,241,750	A	9/1993	Chomiak	D489,851	S	5/2004	Jones	
5,265,969	A	11/1993	Chuang	6,732,395	B2	5/2004	Gringer	
5,289,637	A	3/1994	Coffey	6,742,951	B2	6/2004	Schultz	
5,293,791	A	3/1994	Allen	6,748,659	B1	6/2004	Street	
D346,319	S	4/1994	Lavallee	D495,240	S	* 8/2004	Mnich	D8/355
5,299,355	A	4/1994	Boda	6,832,438	B1	12/2004	Gringer	
5,330,494	A	7/1994	van der Westhuizen	6,907,668	B2	6/2005	Polei	
5,386,632	A	2/1995	Shmidt	6,915,577	B2	7/2005	Scala	
5,400,509	A	3/1995	Collins	6,931,690	B2	8/2005	Cox	
				6,964,100	B1	11/2005	Misland	
				6,968,622	B2	11/2005	Ping	
				6,990,705	B1	1/2006	Schouten	

(56)

References Cited

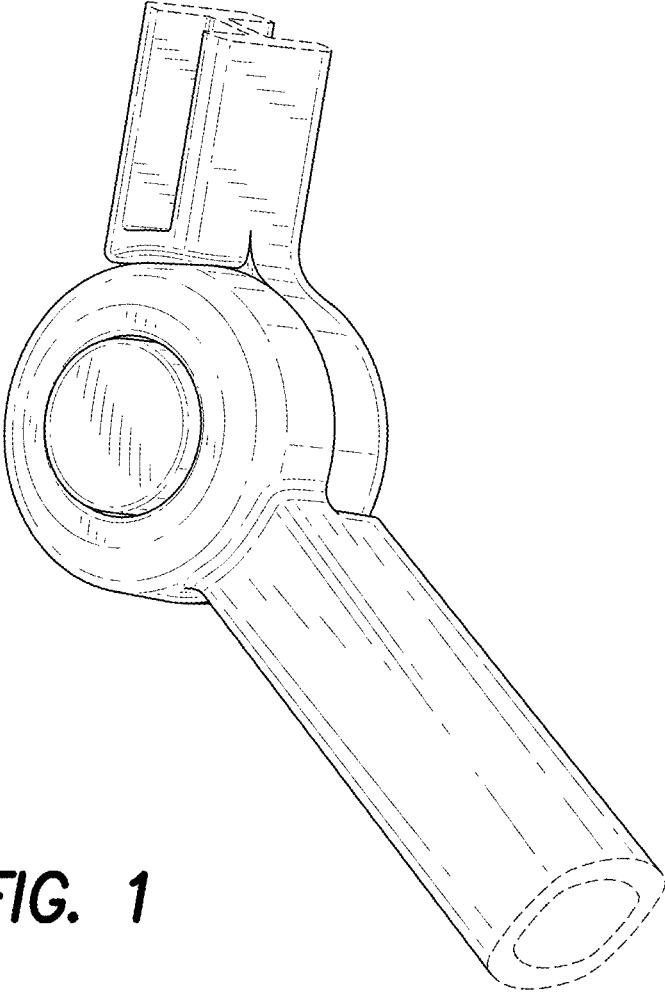
U.S. PATENT DOCUMENTS

D516,263 S	2/2006	Gringer	8,438,688 B2	5/2013	Weinberger	
7,000,282 B2	2/2006	Cox	8,495,784 B2	7/2013	Steinhardt	
7,007,392 B2	3/2006	Ping	8,544,146 B2	10/2013	Curien	
7,032,941 B2	4/2006	Heneveld	8,550,437 B2*	10/2013	Liou .....	B25F 1/00
7,040,022 B2	5/2006	Ping				254/115
7,055,204 B2	6/2006	Ajluni	2002/0078518 A1	6/2002	Jiang	
7,055,407 B2	6/2006	Gringer	2002/0124412 A1	9/2002	Votolato	
D531,003 S	10/2006	Collinds	2002/0124418 A1	9/2002	Votolato	
7,134,207 B2	11/2006	Ping	2003/0110570 A1	6/2003	Gringer	
7,155,770 B2	1/2007	Anderson	2003/0110641 A1	6/2003	Gringer	
D537,591 S	2/2007	Gringer	2004/0045167 A1	3/2004	Gringer	
D549,543 S	8/2007	Tsai	2004/0142647 A1	7/2004	Goulet	
7,293,317 B2	11/2007	Tsuchiya	2005/0097753 A1	5/2005	Gringer	
7,325,313 B2	2/2008	Gringer	2005/0097756 A1	5/2005	Gringer	
D564,161 S	3/2008	Talesfore	2005/0193568 A1	9/2005	Peyrot	
7,346,988 B2	3/2008	Gringer	2006/0080843 A1	4/2006	Gringer	
7,350,998 B2	4/2008	Walsh	2006/0162106 A1	7/2006	Ross	
7,380,341 B2	6/2008	Ping	2006/0260084 A1	11/2006	Guizzi	
7,413,366 B2	8/2008	Bensussan	2007/0169353 A1	7/2007	Wu	
7,415,769 B2	8/2008	Hughes	2008/0052856 A1	3/2008	Lin	
D584,871 S	1/2009	Arvinte	2008/0083118 A1	4/2008	Steigerwalt	
7,475,480 B2	1/2009	Votolato	2008/0163493 A1	7/2008	Votolato	
7,480,997 B2	1/2009	Ping	2008/0289190 A1	11/2008	Jennings	
7,600,287 B1	10/2009	Moore	2009/0199409 A1	8/2009	Zeng	
7,617,559 B2	11/2009	Jiang	2009/0313836 A1	12/2009	Wei	
D605,911 S	12/2009	Lian	2010/0162509 A1	7/2010	Liao	
D606,375 S	12/2009	Divita	2010/0162573 A1	7/2010	Liao	
D611,802 S *	3/2010	Li .....	2010/0263214 A1	10/2010	Robinson	
7,694,422 B2	4/2010	Vaes	2010/0314593 A1*	12/2010	Fan .....	B25G 3/38
D622,114 S	8/2010	Balliet				254/25
7,797,835 B2	9/2010	Zeng	2011/0114118 A1	5/2011	Gracindo	
7,802,340 B2	9/2010	Knopow	2011/0167647 A1	7/2011	Gringer	
7,814,664 B2	10/2010	LeBlanc	2013/0174364 A1	7/2013	Cheng	
7,891,898 B2	2/2011	Hoadley	2013/0175486 A1*	7/2013	Stawarski .....	B25G 1/06
D634,599 S *	3/2011	Good .....				254/129
D634,600 S	3/2011	Gringer	2013/0185943 A1	7/2013	Landwehr	
7,913,349 B2	3/2011	Byrnes	2013/0239345 A1	9/2013	Giustetto	
8,046,922 B2	11/2011	Eby				
8,171,646 B2	5/2012	Chiu				
8,214,964 B1	7/2012	Coleman				
8,356,415 B2	1/2013	Lin				

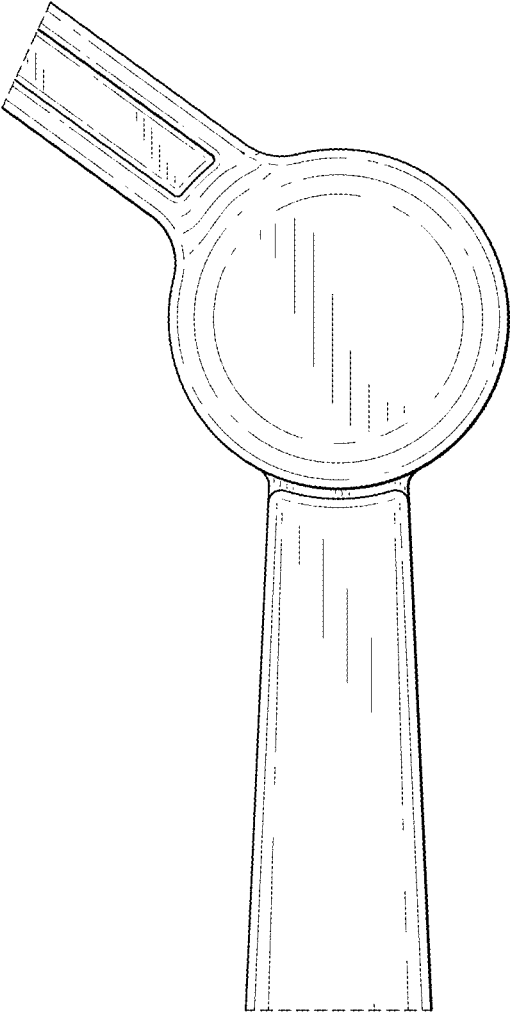
OTHER PUBLICATIONS

International Search Report of the International Searching Authority for PCT/US2015/068211 dated Feb. 26, 2016 2 pages.

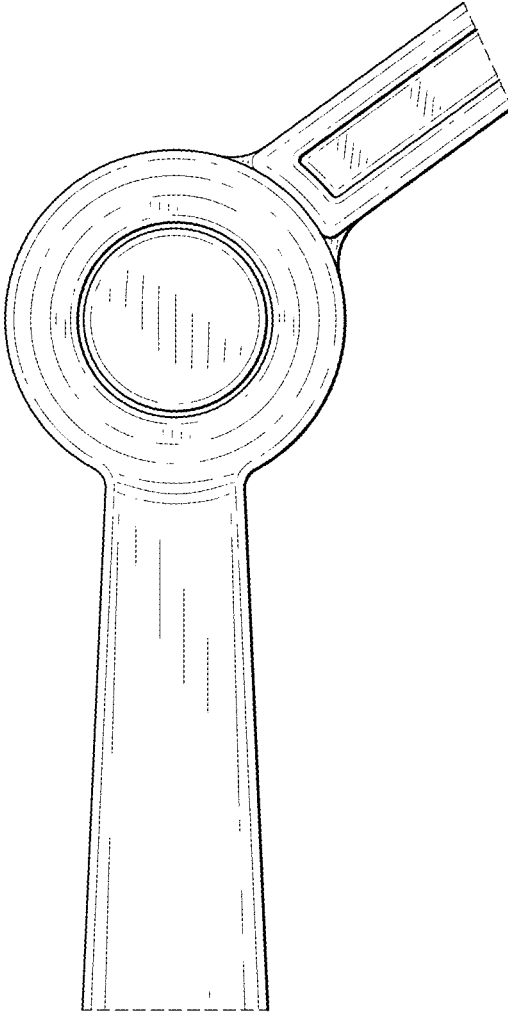
\* cited by examiner



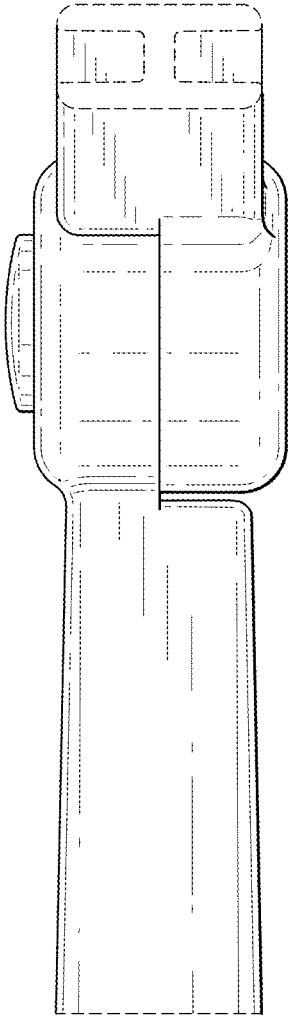
**FIG. 1**



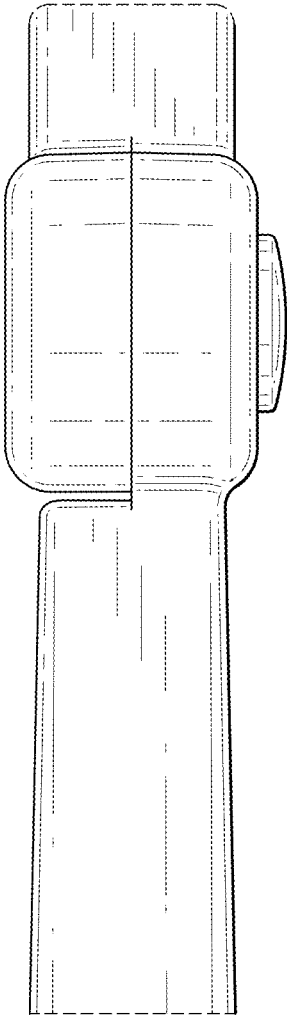
**FIG. 2**



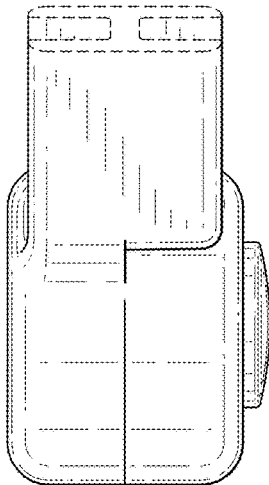
**FIG. 3**



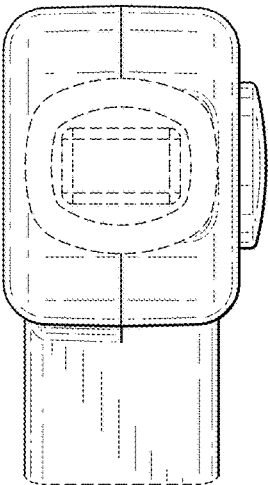
**FIG. 4**



**FIG. 5**



**FIG. 6**



**FIG. 7**