



US00D784149S

(12) **United States Design Patent**
Funk

(10) **Patent No.:** **US D784,149 S**

(45) **Date of Patent:** **** Apr. 18, 2017**

(54) **BOTTLE**

DESCRIPTION

- (71) Applicant: **DC Brands B.V.**, Amsterdam (NL)
- (72) Inventor: **Travis Funk**, Norwalk, CT (US)
- (73) Assignee: **DC BRANDS B.V.**, Amsterdam (NL)
- (**) Term: **14 Years**
- (21) Appl. No.: **29/503,382**
- (22) Filed: **Sep. 25, 2014**
- (51) **LOC (10) Cl.** **09-01**
- (52) **U.S. Cl.**
USPC **D9/560; D9/520; D9/574**
- (58) **Field of Classification Search**
USPC D9/434, 435, 436, 447, 454, 516, 560,
D9/563, 567, 570, 572, 573, 574, 715,
D9/719; D28/76, 77, 83, 91.1
(Continued)

FIG. 1 is a top, front, right side isometric view of a first embodiment of the bottle.
 FIG. 2 is a bottom, front, right side isometric view of the bottle of FIG. 1.
 FIG. 3 is a front elevation view of the bottle of FIG. 1.
 FIG. 4 is a rear elevation view of the bottle of FIG. 1.
 FIG. 5 is a left side elevation view of the bottle of FIG. 1.
 FIG. 6 is a right side elevation view of the bottle of FIG. 1.
 FIG. 7 is a top plan view of the bottle of FIG. 1.
 FIG. 8 is a top, front, right side isometric view of a second embodiment of the bottle.
 FIG. 9 is a bottom, front, right side isometric view of the bottle of FIG. 8.
 FIG. 10 is a front elevation view of the bottle of FIG. 8.
 FIG. 11 is a rear elevation view of the bottle of FIG. 8.
 FIG. 12 is a left side elevation view of the bottle of FIG. 8.
 FIG. 13 is a right side elevation view of the bottle of FIG. 8.
 FIG. 14 is a top plan view of the bottle of FIG. 8.
 FIG. 15 is a top, front, right side isometric view of a third embodiment of the bottle.
 FIG. 16 is a bottom, front, right side isometric view of the bottle of FIG. 15.
 FIG. 17 is a front elevation view of the bottle of FIG. 15.
 FIG. 18 is a rear elevation view of the bottle of FIG. 15.
 FIG. 19 is a left side elevation view of the bottle of FIG. 15.
 FIG. 20 is a right side elevation view of the bottle of FIG. 15.
 FIG. 21 is a top plan view of the bottle of FIG. 15.
 FIG. 22 is a top, front, right side isometric view of a fourth embodiment of the bottle.
 FIG. 23 is a bottom, front, right side isometric view of the bottle of FIG. 22.
 FIG. 24 is a front elevation view of the bottle of FIG. 22.
 FIG. 25 is a rear elevation view of the bottle of FIG. 22.
 FIG. 26 is a left side elevation view of the bottle of FIG. 22.
 FIG. 27 is a right side elevation view of the bottle of FIG. 22; and,
 FIG. 28 is a top plan view of the bottle of FIG. 22.
 The broken lines in the drawings illustrate portions of the bottle that form no part of the claimed design.

(56) **References Cited**

U.S. PATENT DOCUMENTS

D257,954 S 1/1981 Grodin
 D259,098 S 5/1981 Lauren
 (Continued)

FOREIGN PATENT DOCUMENTS

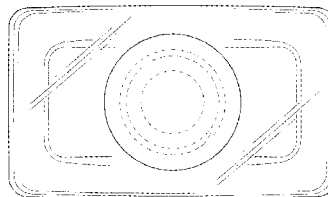
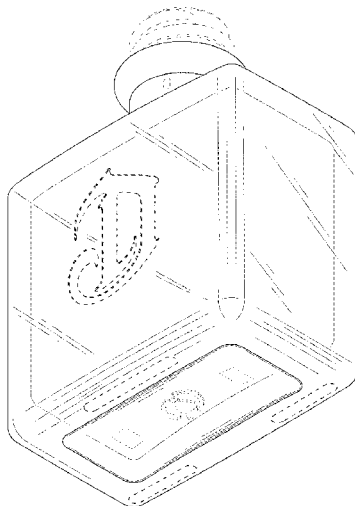
CA 10862 8/1935
 CA 12103 9/1938
 (Continued)

Primary Examiner — Ian Simmons
Assistant Examiner — Keith Frank
 (74) *Attorney, Agent, or Firm* — Dorsey & Whitney LLP

(57) **CLAIM**

I claim the ornamental design for a bottle, substantially as shown and described.

1 Claim, 12 Drawing Sheets



(56)

References Cited

FOREIGN PATENT DOCUMENTS

CN	302627827	11/2013	WO	D033858-002	8/1995
CN	302627828	11/2013	WO	D034306-009	10/1995
CN	302627829	11/2013	WO	D039084-006	2/1997
CN	302648415	11/2013	WO	D042570-001	1/1998
CN	302648416	11/2013	WO	D049392-001	9/1999
CN	302648417	11/2013	WO	D050318-001	12/1999
CN	302648418	11/2013	WO	D051920-003	7/2000
CN	302648419	11/2013	WO	D053156-002	11/2000
CN	302648420	11/2013	WO	D053568-001	12/2000
CN	302678907	12/2013	WO	D056222-016	7/2001
CN	302734252	2/2014	WO	D057753-002	12/2001
CN	302746638	2/2014	WO	D058875-001	1/2002
CN	302766373	3/2014	WO	D059635-001	1/2002
CN	302787345	4/2014	WO	D062645-004	3/2003
CN	302813187	5/2014	WO	D064332-001	9/2003
CN	302871266	7/2014	WO	D065062-003	3/2004
CN	302871355	7/2014	WO	D065406-001	6/2004
CN	302893453	7/2014	WO	D066868-001	8/2005
CN	302893607	7/2014	WO	D066868-002	8/2005
CN	302900127	8/2014	WO	D067141-001	12/2005
CN	302915094	8/2014	WO	D067141-005	12/2005
CN	302935514	9/2014	WO	D067372-001	6/2006
GB	2037858	3/1994	WO	D069400-007	11/2007
GB	2037859	3/1994	WO	D069400-008	11/2007
MX	312069 B	8/2013	WO	D069272-008	1/2008
MX	315268 B	8/2013	WO	D070899-009	12/2008
MX	2013010164 A	11/2013	WO	D073342-001	3/2010
MX	316014 B	12/2013	WO	D072869-001	6/2010
MX	317158 B	1/2014	WO	D073767-002	6/2010
WO	D018000-001	12/1989	WO	D075336-002	6/2011
WO	D023692-003	8/1992	WO	D077436-001	2/2012
WO	D029010-001	3/1994	WO	D077584-001	2/2012
WO	D029010-002	3/1994	WO	D080632-001	10/2012
			WO	D079598-001	12/2012
			WO	D080824-001	5/2013
			WO	D082079-001	11/2013

* cited by examiner

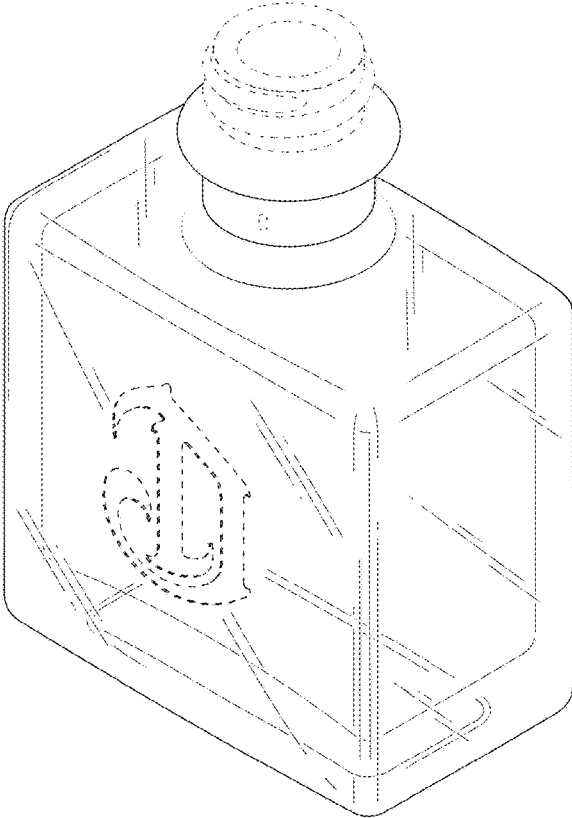


FIG. 1

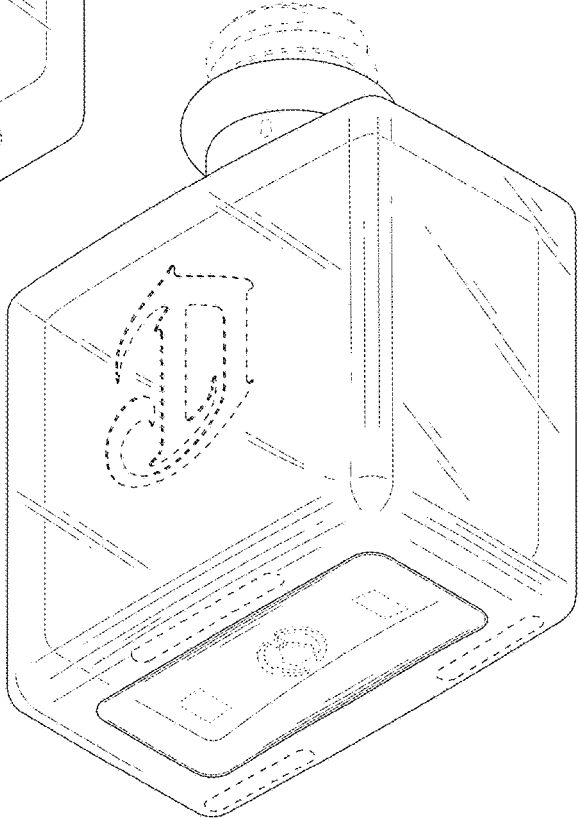


FIG. 2

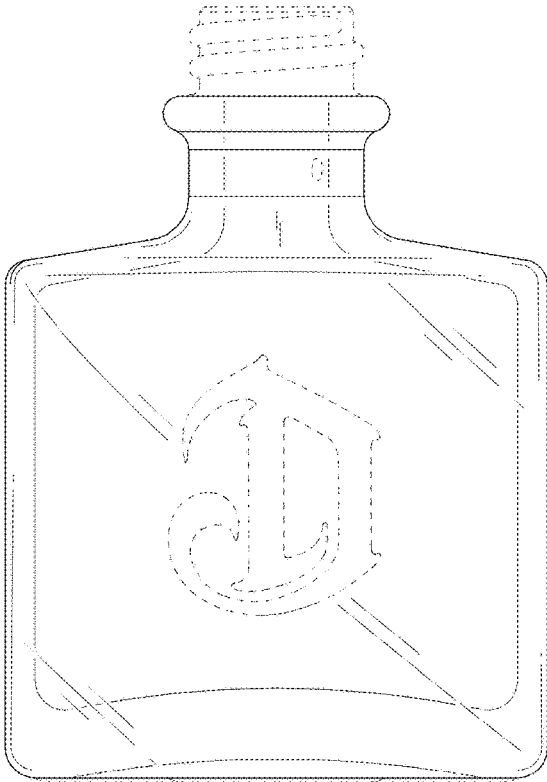


FIG. 3

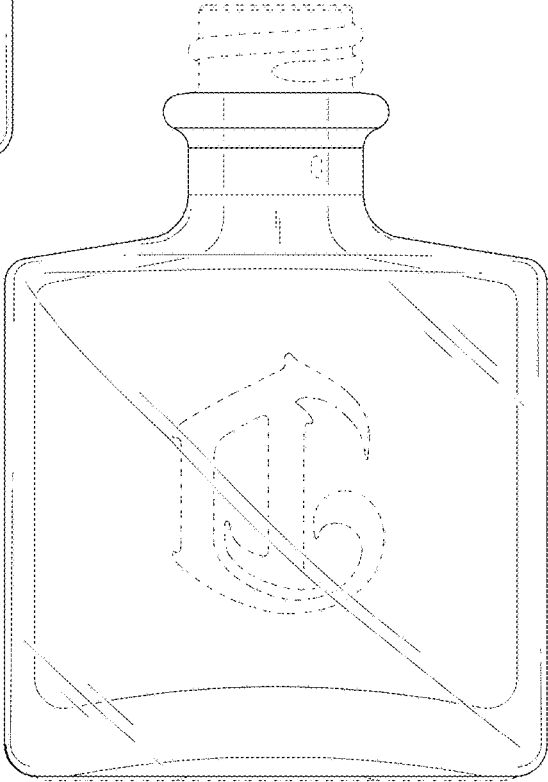


FIG. 4

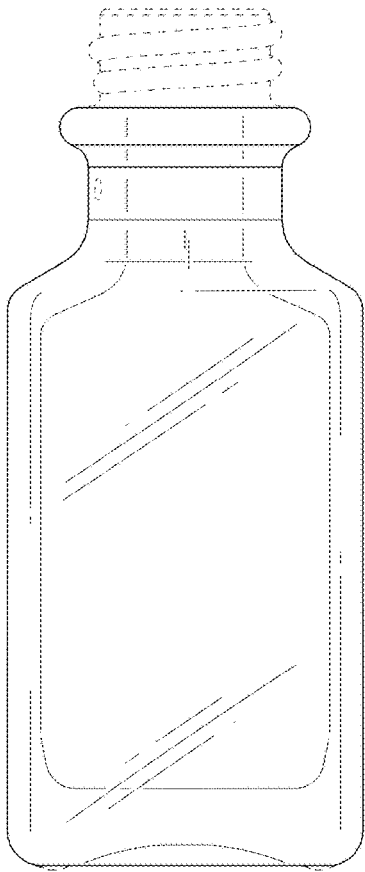


FIG. 5

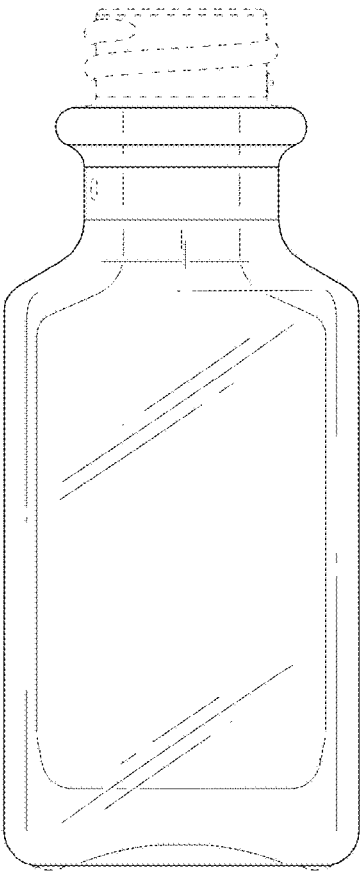


FIG. 6

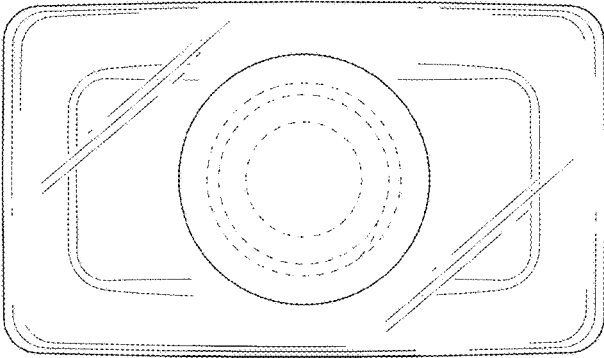


FIG. 7

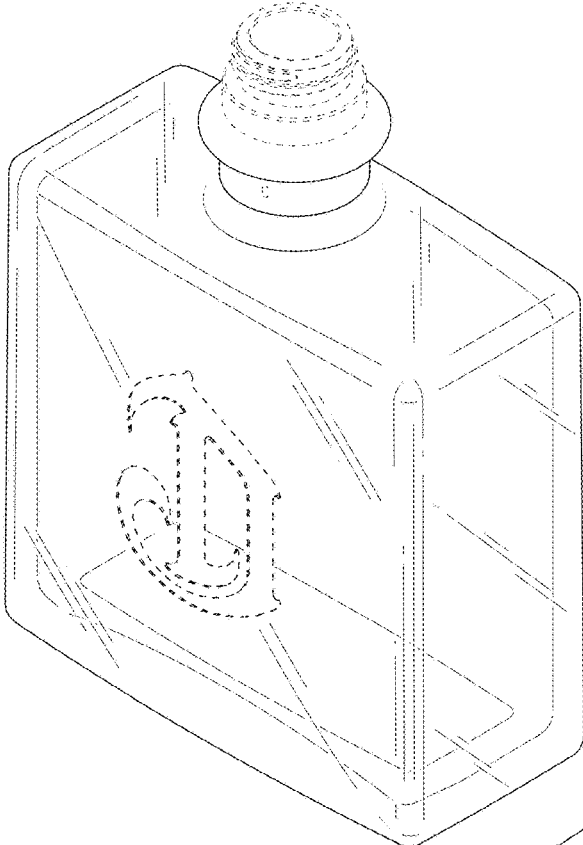


FIG. 8

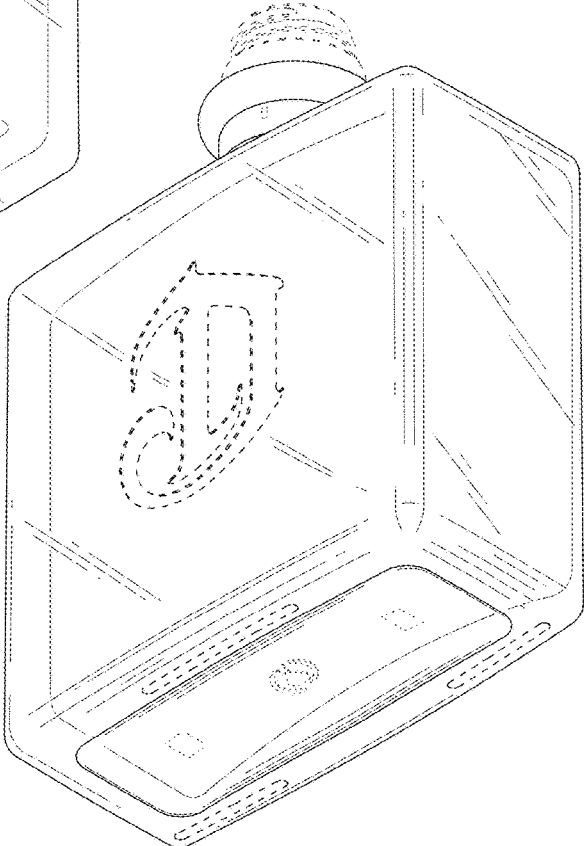


FIG. 9

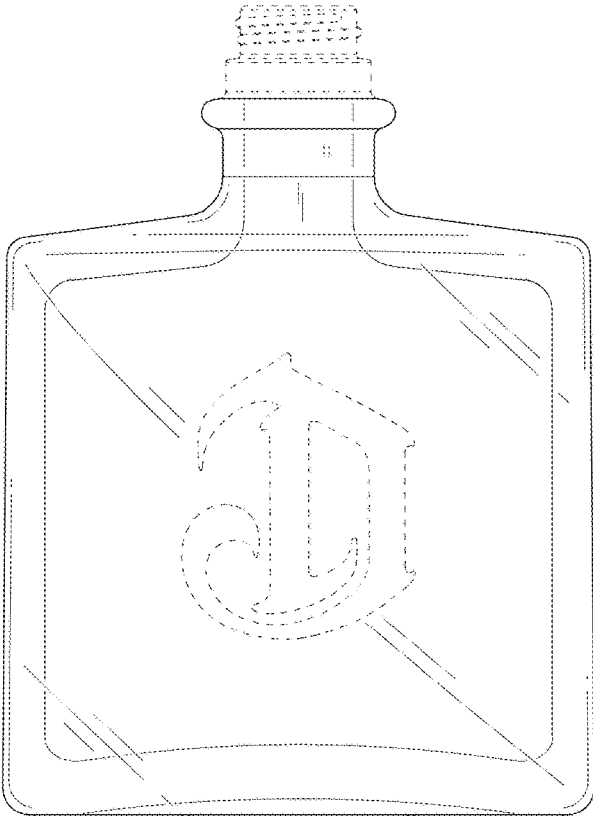


FIG. 10

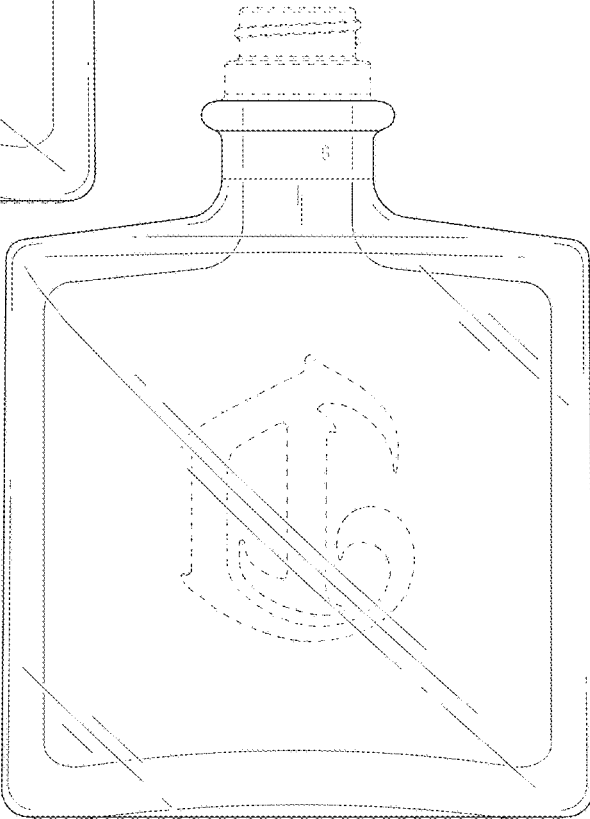


FIG. 11

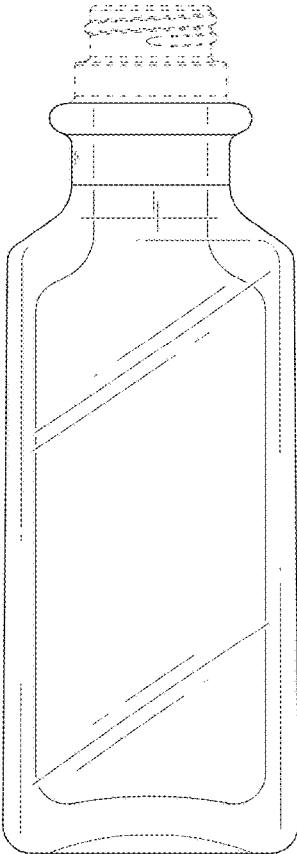


FIG. 12

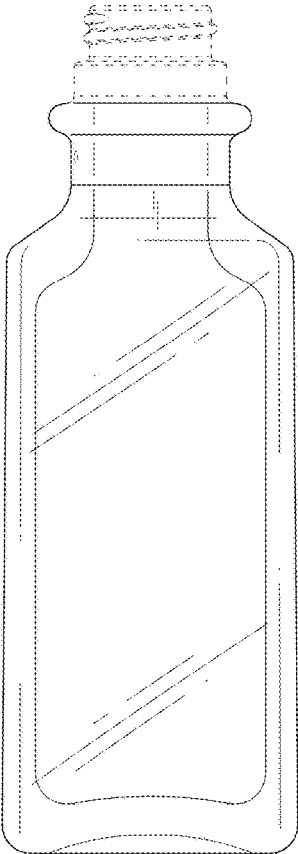


FIG. 13

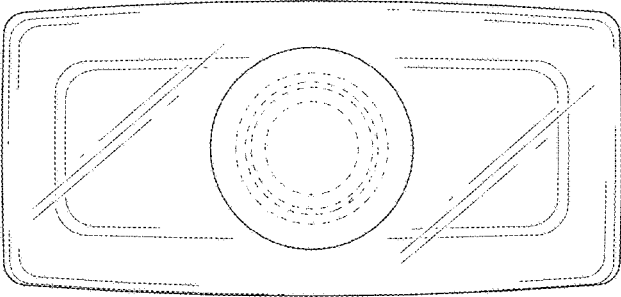


FIG. 14

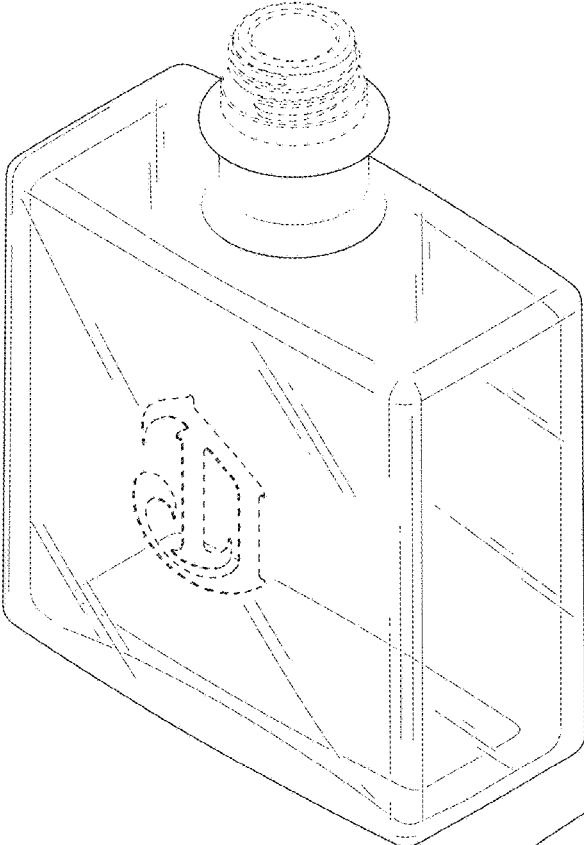


FIG. 15

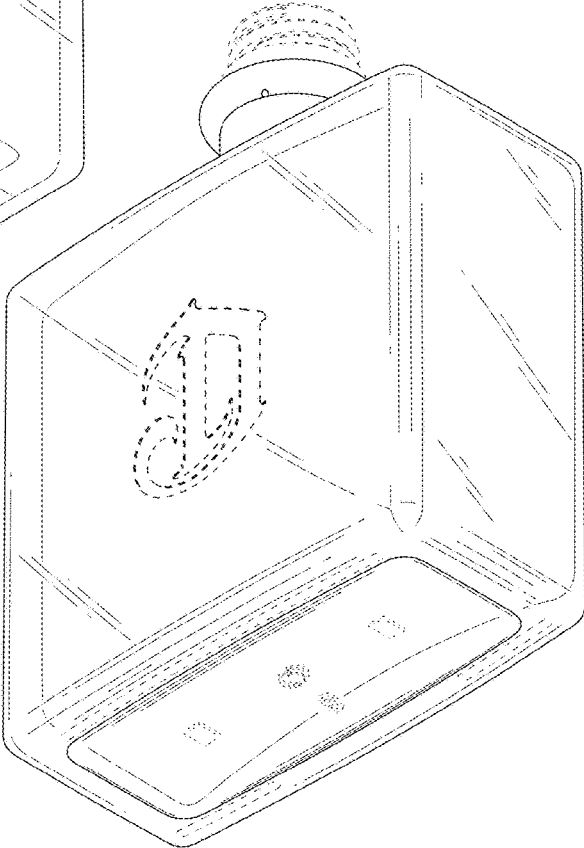


FIG. 16

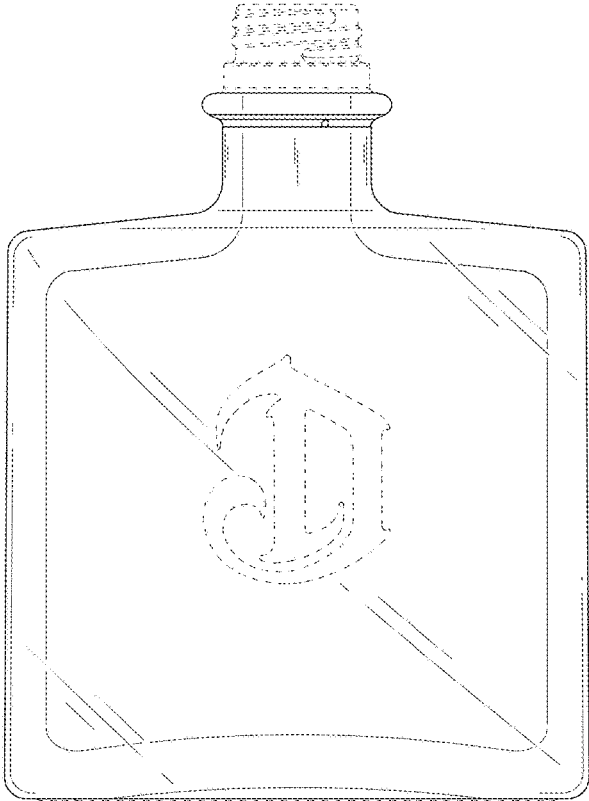


FIG. 17

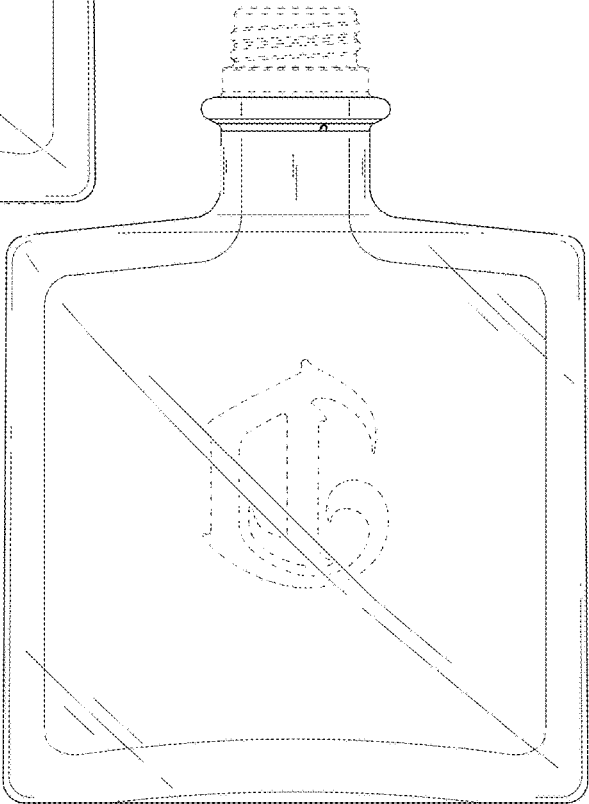


FIG. 18

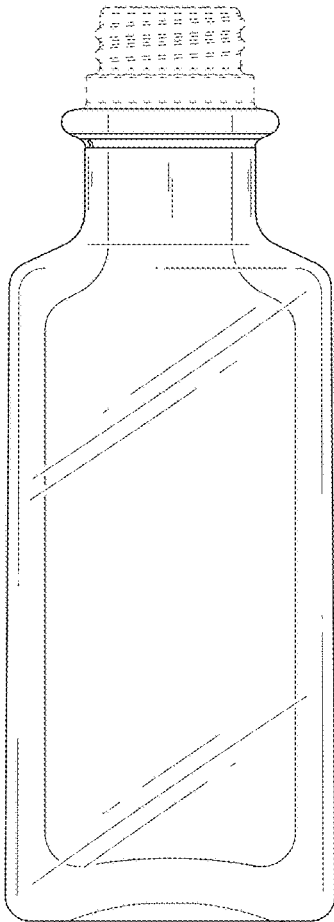


FIG. 19

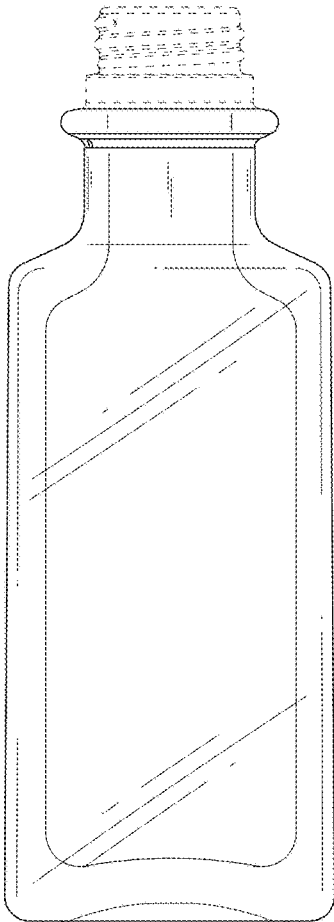


FIG. 20

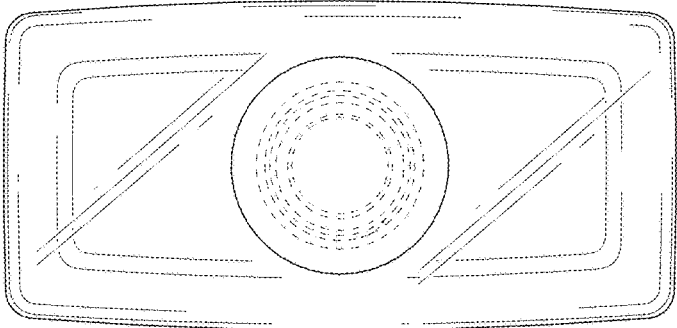


FIG. 21

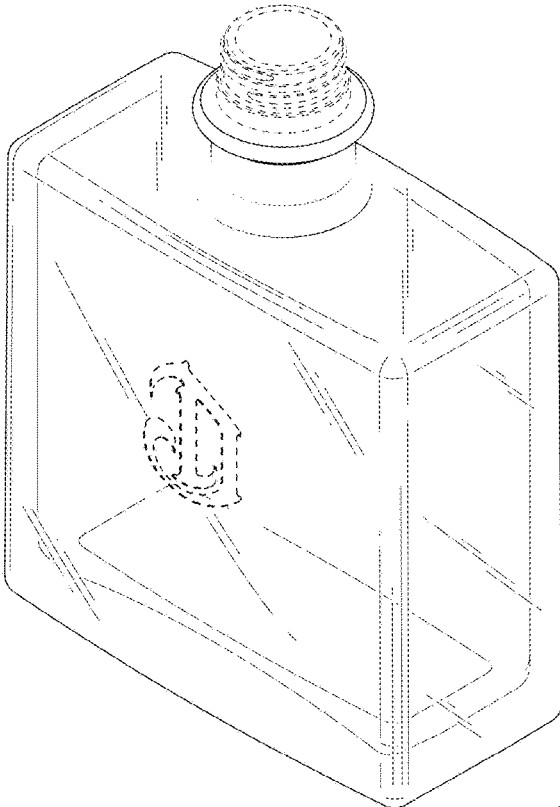


FIG. 22

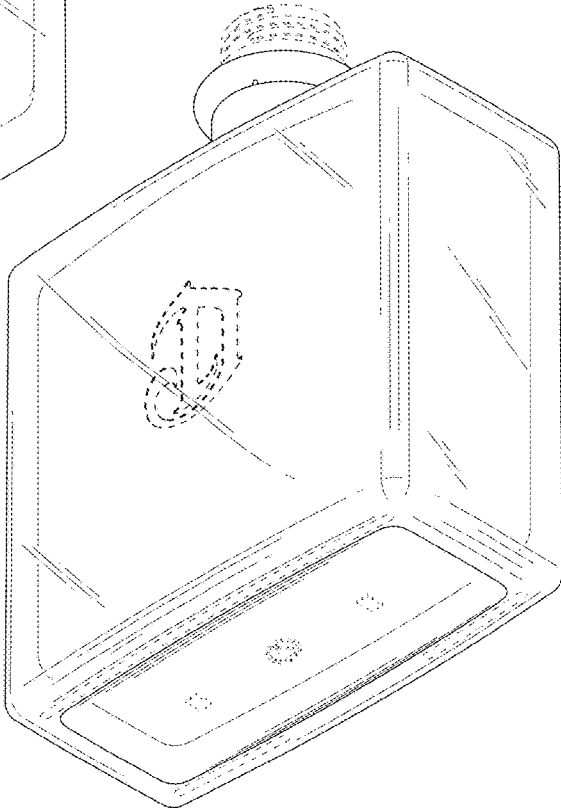


FIG. 23

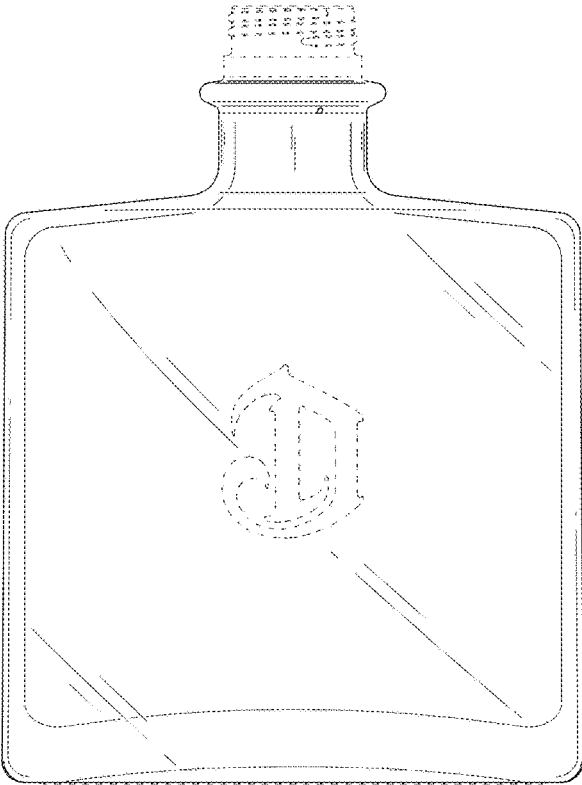


FIG. 24

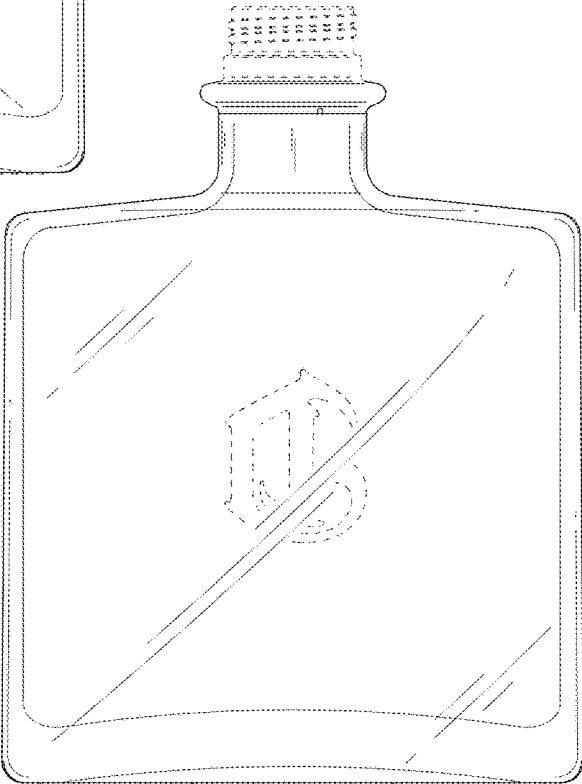


FIG. 25

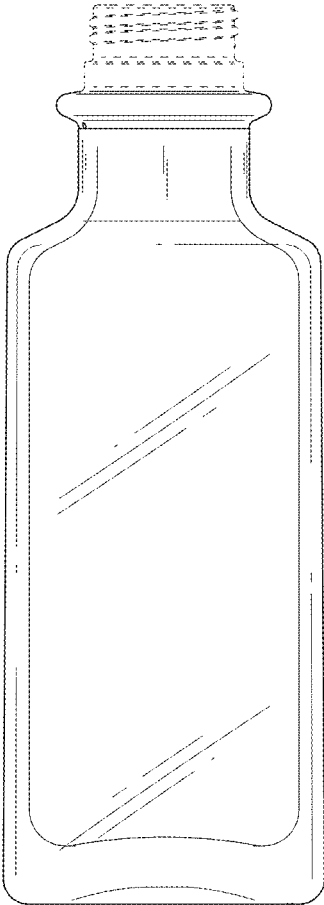


FIG. 26

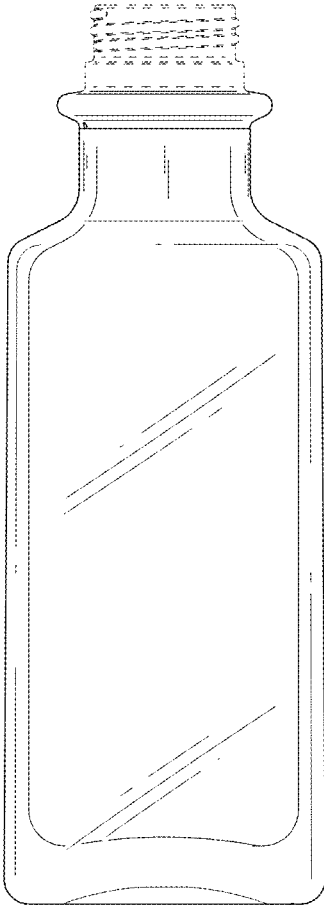


FIG. 27

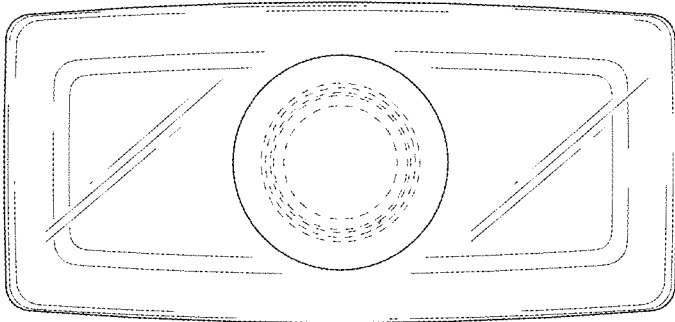


FIG. 28