



(12) **United States Design Patent**
Pan

(10) **Patent No.:** **US D999,769 S**
(45) **Date of Patent:** **** Sep. 26, 2023**

(54) **TABLET CASE**

(71) Applicant: **Ping Pan**, Anqing (CN)

(72) Inventor: **Ping Pan**, Anqing (CN)

(**) Term: **15 Years**

(21) Appl. No.: **29/860,702**

(22) Filed: **Nov. 22, 2022**

(51) **LOC (14) Cl.** **14-02**

(52) **U.S. Cl.**
USPC **D14/440**

(58) **Field of Classification Search**
USPC D14/217, 250–253, 440, 447, 455;
D12/415; D3/218, 300
CPC . A45C 11/00; A45C 2011/002; H04B 1/3888;
H04M 1/04; H04M 1/06; H04M 1/6075;
F16M 13/02
See application file for complete search history.

(56) **References Cited**

U.S. PATENT DOCUMENTS

D852,802 S *	7/2019	Gao	D14/440
D872,092 S *	1/2020	Cheng	D14/440
D883,987 S *	5/2020	Cheng	D14/440
D908,132 S *	1/2021	Poon	D14/440
D925,543 S *	7/2021	Ma	D14/440
D926,193 S *	7/2021	Ma	D14/440
D949,153 S *	4/2022	Chen	D14/440
D975,100 S *	1/2023	Ma	D14/440

FOREIGN PATENT DOCUMENTS

CN 307850995 * 2/2023

OTHER PUBLICATIONS

Stweap iPad 9th/8th/7th Generation Case, Mar. 21, 2023 [online],
retrieved Jun. 29, 2023, retrieved from the internet URL: < https://
www.amazon.com/Stweap-Generation-Case-Built-Protector-
Shockproof/dp/B0BZ3LSZ8K/ref=sr_1_13_sspa? > (Year: 2023).*

* cited by examiner

Primary Examiner — Janice Hallmark

Assistant Examiner — Rodolfo Castro, Jr.

(74) *Attorney, Agent, or Firm* — Jeenam Park

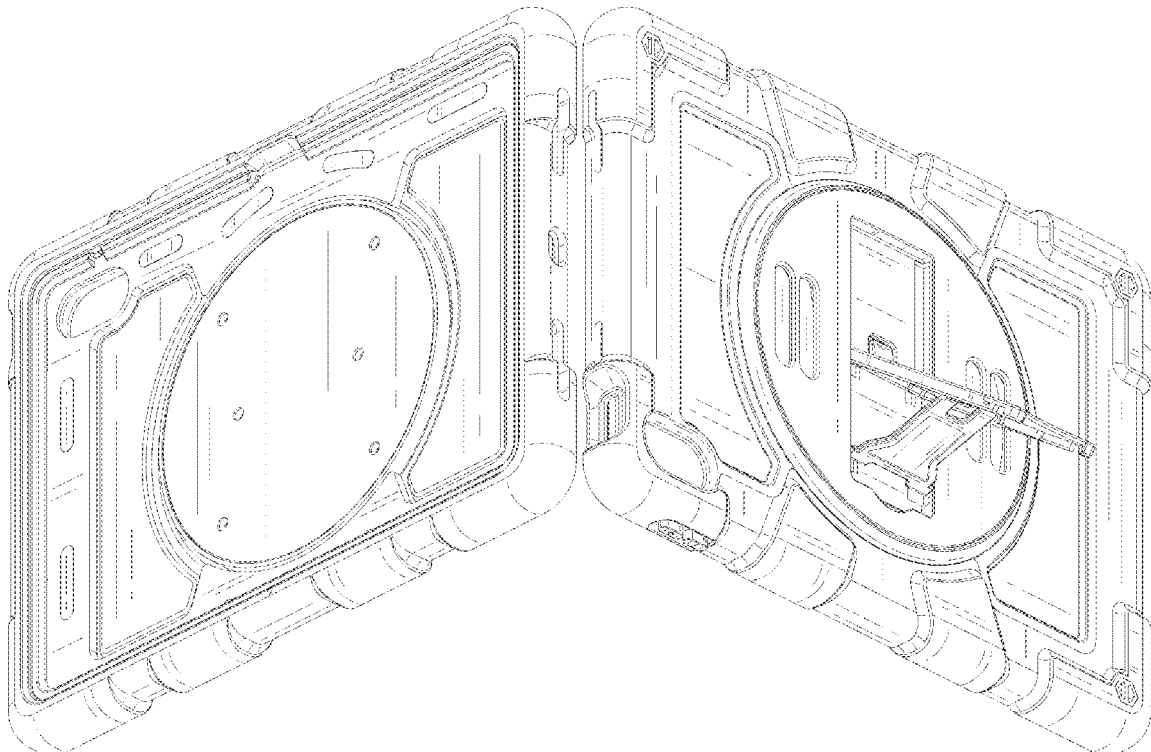
(57) **CLAIM**

The ornamental design for a tablet case, as shown and described.

DESCRIPTION

FIG. 1 is a front, right and bottom perspective view of a tablet case, showing my new design;
FIG. 2 is a rear, left and top perspective view thereof;
FIG. 3 is a rear, left and top perspective view of the tablet case of FIG. 1, shown in an open configuration;
FIG. 4 is a front elevation view of the tablet case of FIG. 1;
FIG. 5 is a rear elevation view thereof;
FIG. 6 is a left side elevation view thereof;
FIG. 7 is a right side elevation view thereof;
FIG. 8 is a top plan view thereof; and,
FIG. 9 is a bottom plan view thereof.

1 Claim, 9 Drawing Sheets



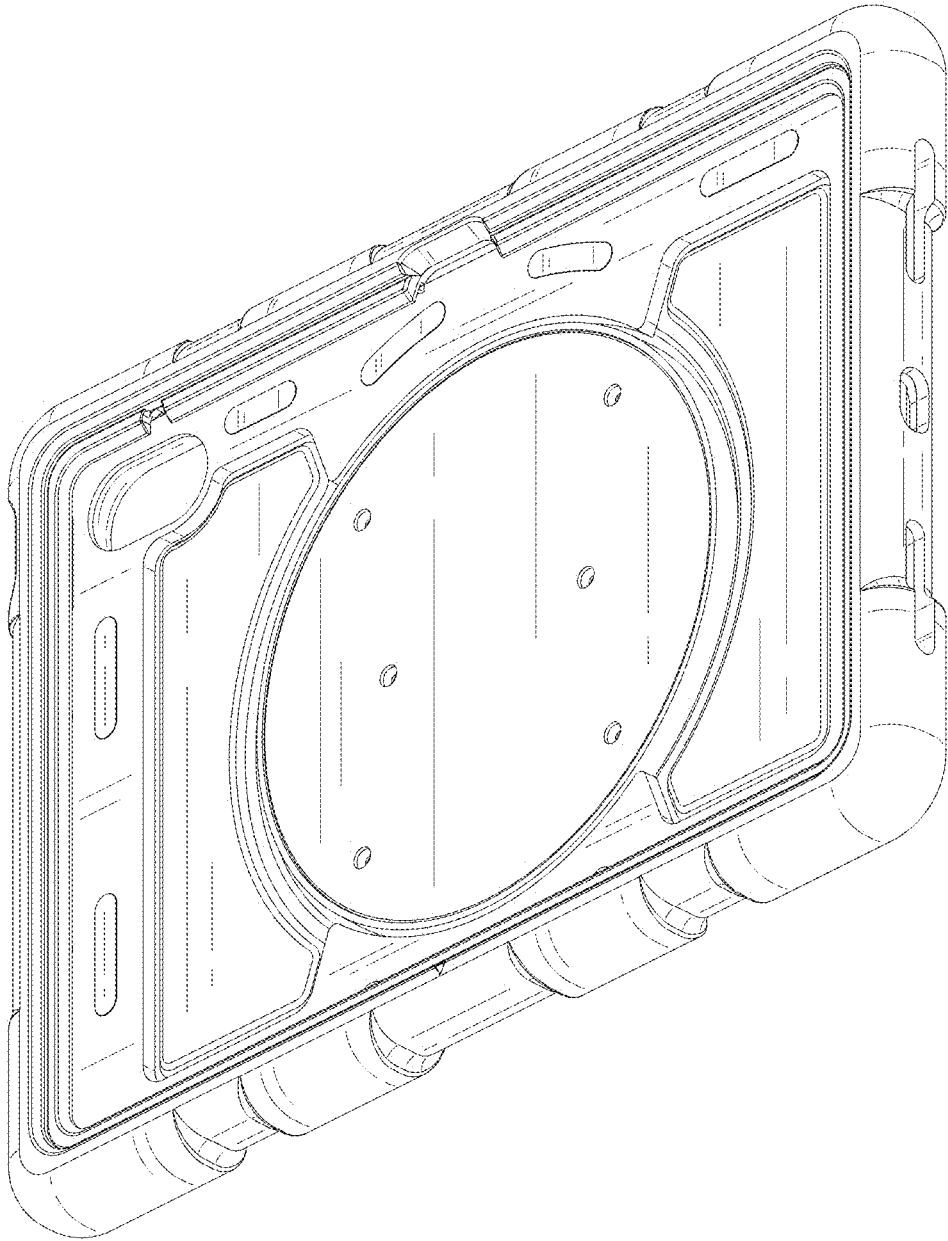


FIG. 1

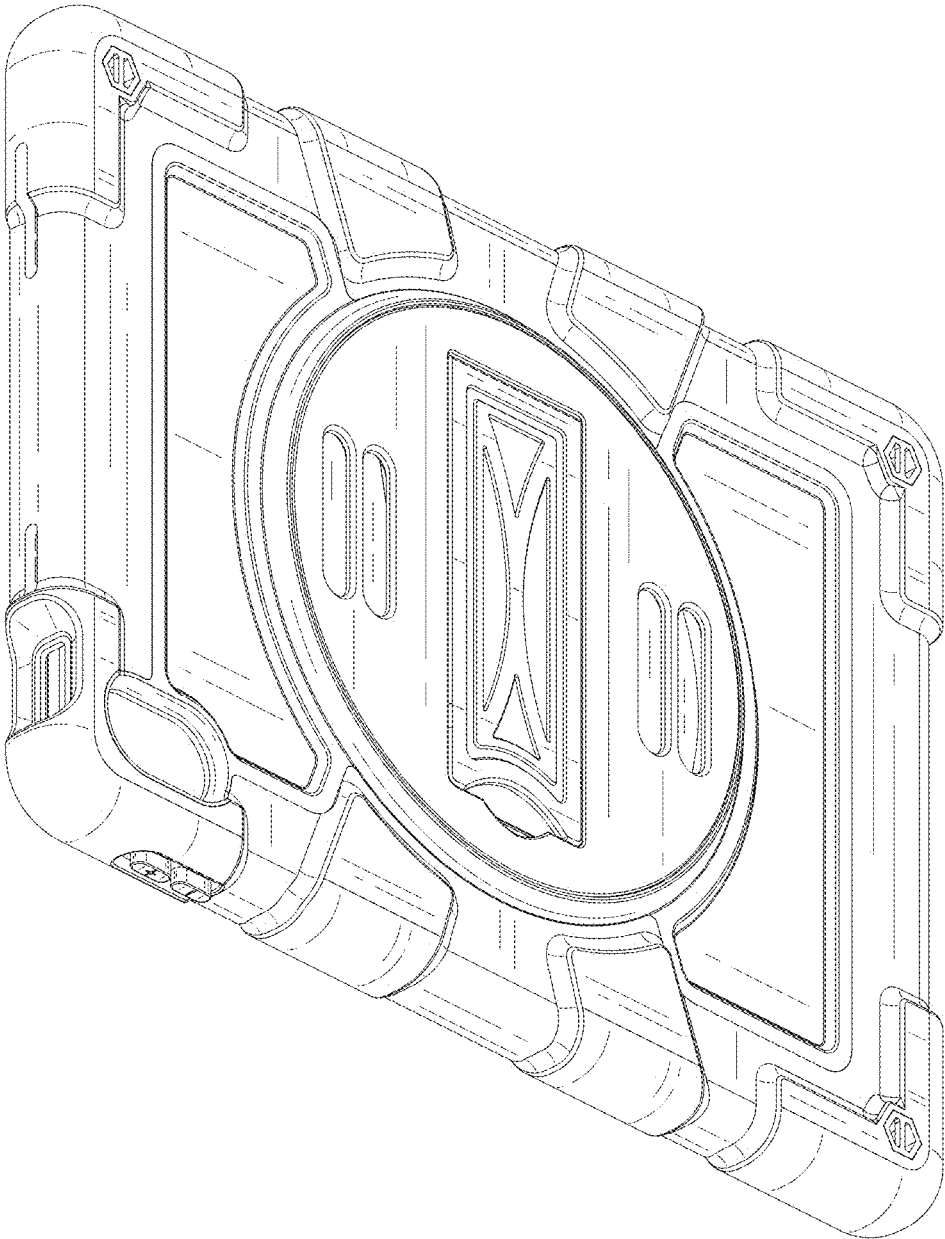


FIG. 2

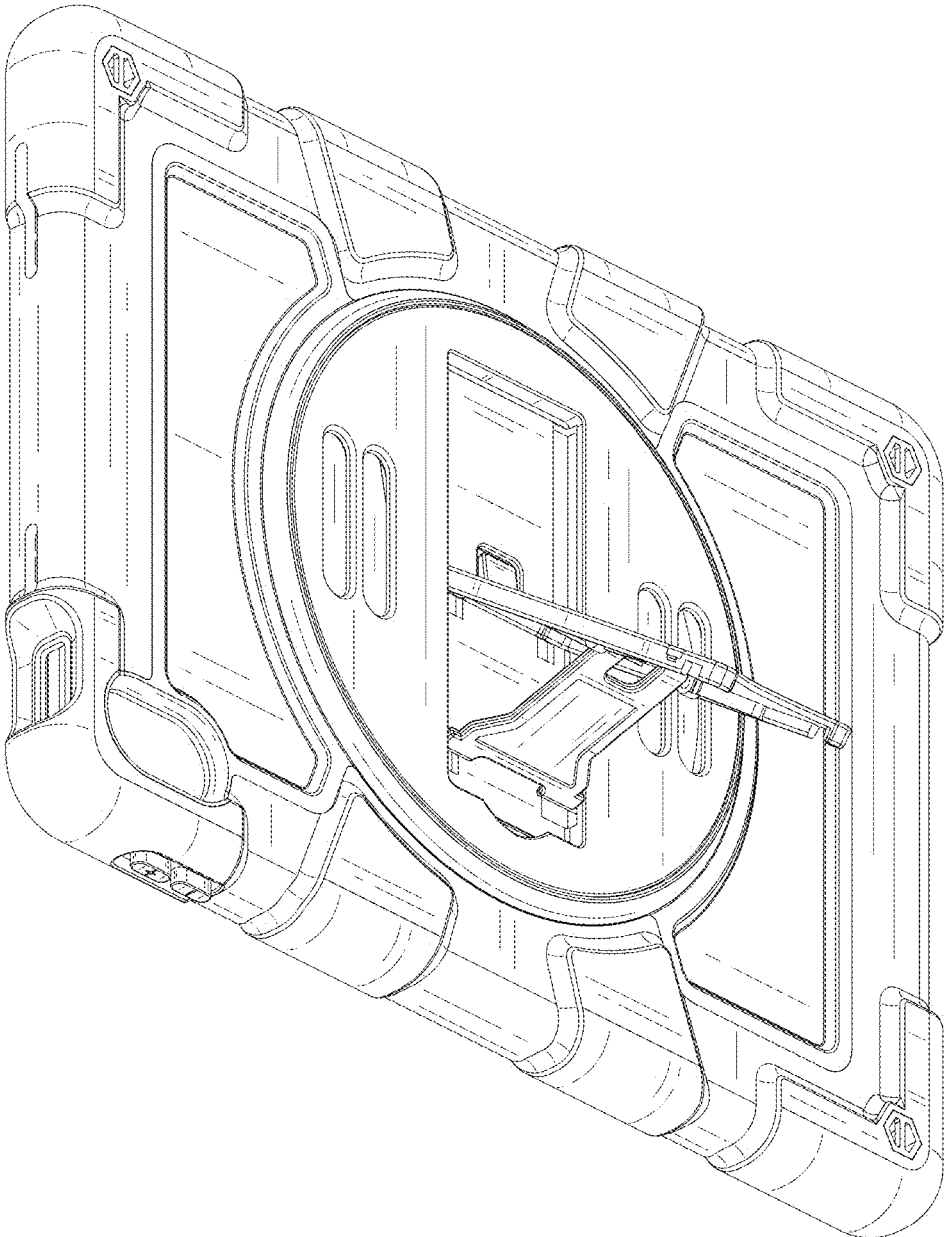


FIG. 3

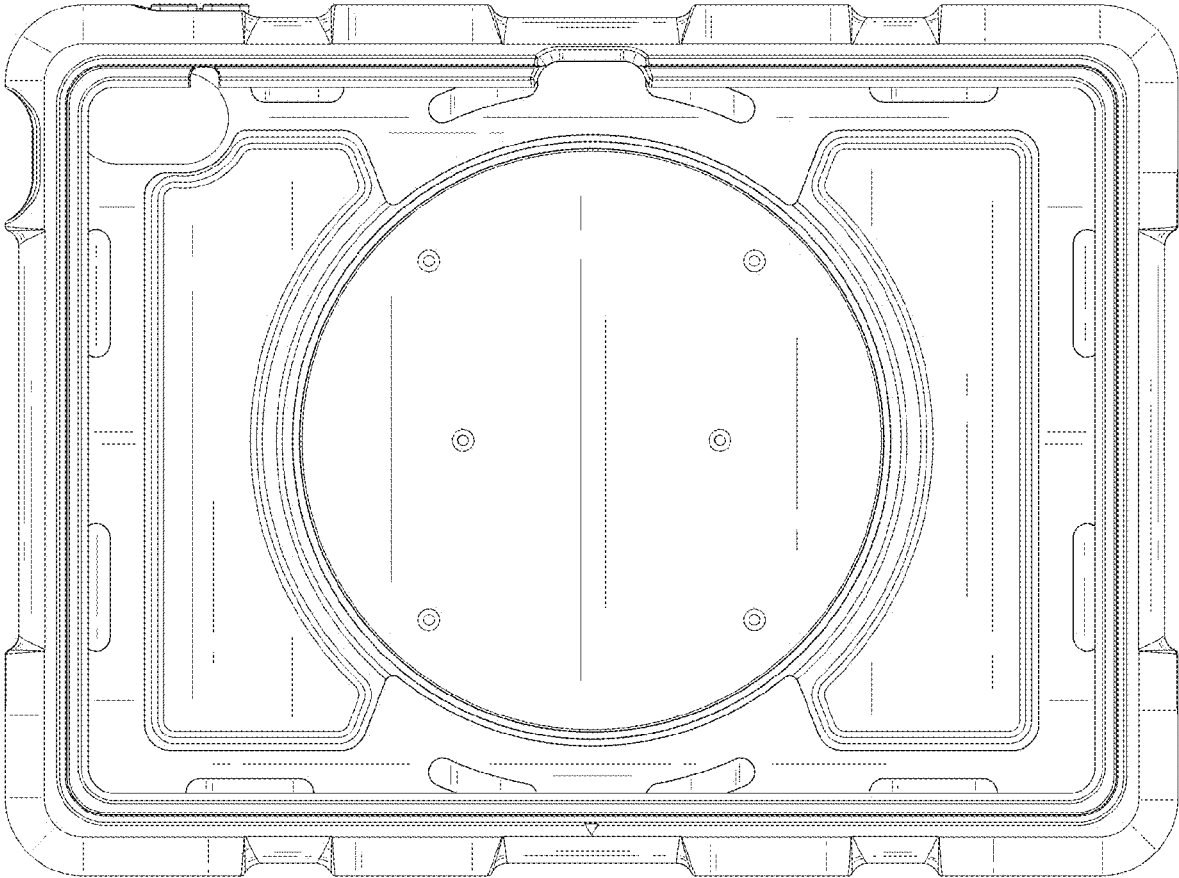


FIG. 4

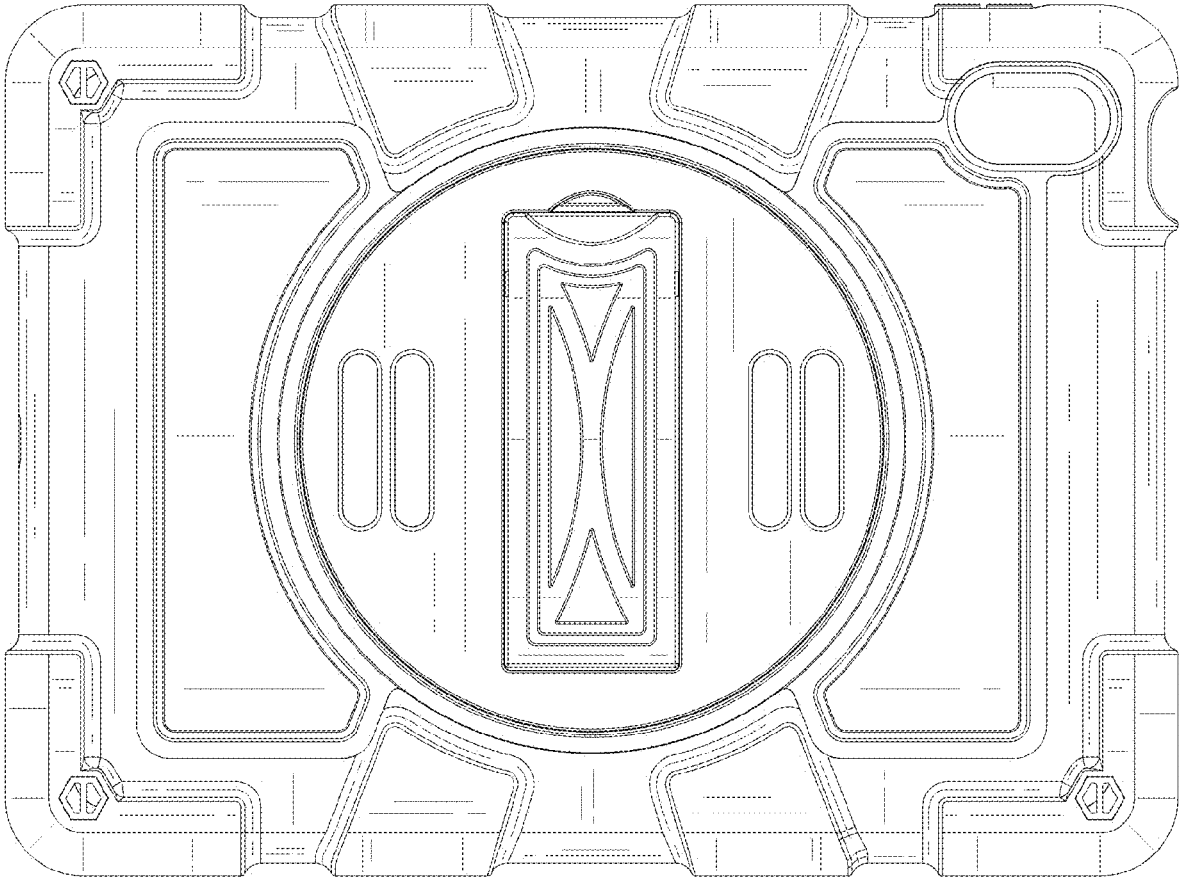


FIG. 5

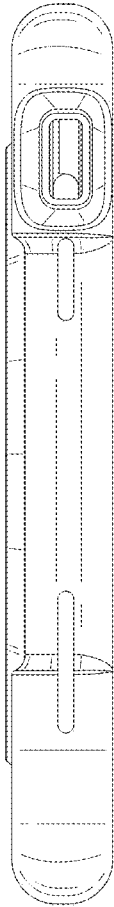


FIG. 6

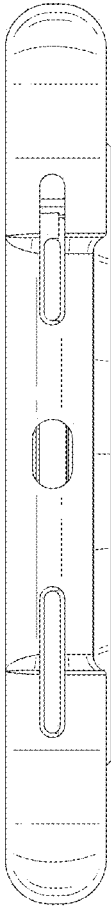


FIG. 7

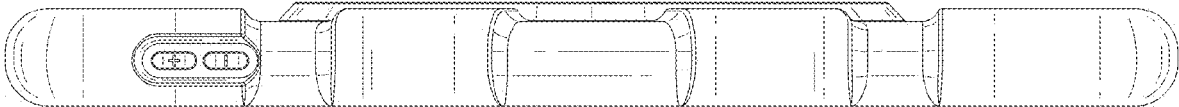


FIG. 8

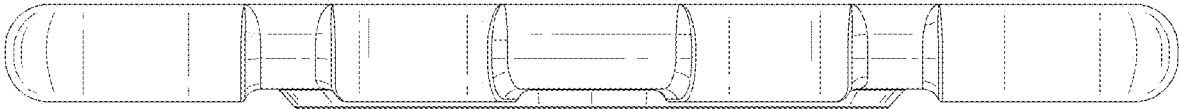


FIG. 9