



US00D815818S

(12) **United States Design Patent**
Cin

(10) **Patent No.:** **US D815,818 S**

(45) **Date of Patent:** **** Apr. 24, 2018**

(54) **SHOE**

(71) Applicant: **NIKE, Inc.**, Beaverton, OR (US)

(72) Inventor: **David Cin**, Portland, OR (US)

(73) Assignee: **NIKE, Inc.**, Beaverton, OR (US)

(**) Term: **15 Years**

(21) Appl. No.: **29/632,848**

(22) Filed: **Jan. 10, 2018**

Related U.S. Application Data

(63) Continuation of application No. 29/560,056, filed on Apr. 1, 2016, which is a continuation of application No. 29/543,737, filed on Oct. 27, 2015, which is a continuation of application No. 29/527,499, filed on May 19, 2015.

(51) **LOC (11) Cl.** **02-04**

(52) **U.S. Cl.**
USPC **D2/947; D2/960**

(58) **Field of Classification Search**
USPC D2/902, 906, 908, 916, 918, 925,
D2/946-962, 977; 36/1, 1.5, 3 B, 22 R,
36/24.5, 25 R, 28, 32 R, 34 R, 59 C,
36/67 A, 101-107, 114-116, 117.3, 117.4,
36/124-136
CPC A43B 13/00; A43B 13/02; A43B 13/023;
A43B 13/026; A43B 13/04; A43B 13/08;
A43B 13/10; A43B 13/12; A43B 13/14;
A43B 13/141; A43B 13/143; A43B
13/16; A43B 13/18; A43B 13/181; A43B
13/187; A43B 13/189; A43B 13/20; A43B
13/22; A43B 13/223; A43B 13/24; A43B
13/28; A43B 13/30; A43B 13/32; A43B
13/34; A43B 13/36

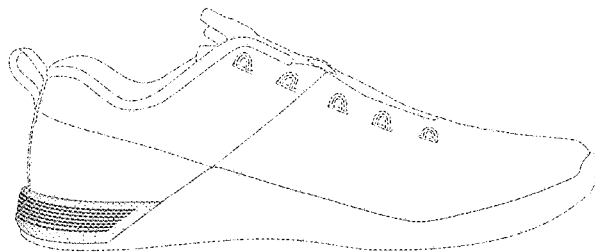
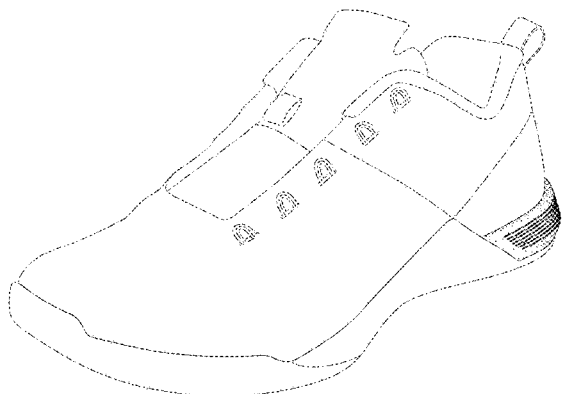
See application file for complete search history.

(56)

References Cited

U.S. PATENT DOCUMENTS

1,491,696 A	4/1924	Guinzburg	
1,572,213 A	2/1926	Wilbert	
1,773,127 A	8/1930	Auster	
D118,606 S	1/1940	Friedman	
2,205,577 A	6/1940	Roberts	
2,447,590 A	8/1948	Meltzer	
D155,816 S	11/1949	Little	
D157,034 S	1/1950	Eldon	
D235,701 S	7/1975	Famolare	
D237,427 S	11/1975	Thornberry	
D238,983 S	3/1976	Senter	
D263,643 S	4/1982	Vernonet	
D265,018 S	6/1982	Vernonet	
D265,144 S	6/1982	Vernonet	
D265,435 S	7/1982	Vernonet	
D266,285 S	9/1982	Vernonet	
D271,633 S	12/1983	Casetta	
4,624,062 A	11/1986	Autry	
D290,542 S	6/1987	O'Rourke	
4,670,998 A	6/1987	Pasternak	
D291,142 S	8/1987	Kelley	
D291,501 S	8/1987	Tong	
4,736,531 A	4/1988	Richard	
D296,611 S	7/1988	Brown et al.	
4,776,110 A	10/1988	Shiang	
D299,681 S	2/1989	Miller et al.	
D300,385 S	3/1989	Backus	
4,845,864 A	7/1989	Corliss	
4,852,276 A	8/1989	Savoca et al.	
4,876,806 A	10/1989	Robinson et al.	
D321,776 S	11/1991	Hatfield	
D323,055 S	1/1992	Cavasin	
D323,735 S	2/1992	Aveni	
D324,762 S *	3/1992	Hatfield	D2/977
D324,937 S	3/1992	Cavasin	
D324,938 S	3/1992	Cohen	
D325,288 S	4/1992	Richard et al.	
D325,289 S	4/1992	Aveni	
D326,015 S *	5/1992	Kayano	D2/953
D326,762 S	6/1992	Kiyosawa	
D326,763 S	6/1992	Holbrook	
D327,165 S *	6/1992	Hatfield	D2/953
D327,362 S	6/1992	Hatfield	
D329,739 S *	9/1992	Hatfield	D2/977
D329,937 S *	10/1992	Hatfield	D2/970



US D815,818 S

D329,941 S	10/1992	Hatfield	7,047,668 B2	5/2006	Burriss et al.	
D330,110 S	10/1992	Worthington	7,065,906 B2	6/2006	Jones et al.	
D330,798 S	11/1992	Hatfield et al.	7,082,703 B2	8/2006	Greene et al.	
D333,207 S	2/1993	Smith	D528,778 S	9/2006	Avar et al.	
D334,650 S	4/1993	Teague	D545,551 S	7/2007	Duclos	
D334,652 S	4/1993	Hatfield	7,243,445 B2	7/2007	Manz et al.	
D336,560 S	6/1993	Peterson	D549,949 S *	9/2007	Portzline	D2/972
D336,771 S	6/1993	Hatfield et al.	D556,433 S	12/2007	Le	
5,216,827 A	6/1993	Cohen	7,328,527 B2	2/2008	Goldman	
D336,979 S	7/1993	Peterson	D563,637 S	3/2008	Nakano	
D336,980 S	7/1993	Peterson	7,337,558 B2	3/2008	Terlizzi et al.	
D337,871 S	8/1993	Teague	D571,997 S	7/2008	Teeter et al.	
D338,326 S	8/1993	Dolinsky	D574,581 S	8/2008	Cooper	
D339,447 S	9/1993	McDonald	D576,393 S	9/2008	Kaufman	
D339,456 S	9/1993	Kayano	D582,644 S	12/2008	Belley et al.	
D340,128 S	10/1993	Mitsui	D586,105 S	2/2009	Banik et al.	
D341,024 S	11/1993	Peterson	7,513,066 B2	4/2009	Kokstis et al.	
D341,477 S	11/1993	Teague	7,513,067 B2	4/2009	Marvin et al.	
D341,700 S	11/1993	Avar	D592,837 S	5/2009	Vico et al.	
D341,932 S	12/1993	Elliot	7,526,881 B2	5/2009	Jones et al.	
D343,044 S	1/1994	Kilgore et al.	D594,636 S	6/2009	Del Biondi et al.	
D343,045 S	1/1994	Bailey	7,543,399 B2	6/2009	Kilgore et al.	
D343,272 S	1/1994	James	7,591,084 B2	9/2009	Santa Ana	
D347,936 S	6/1994	Takaoka	D603,598 S	11/2009	Bacon	
D348,145 S	6/1994	Nakano	7,637,032 B2	12/2009	Sokolowski et al.	
5,319,866 A	6/1994	Foley et al.	D611,232 S	3/2010	Della Valle et al.	
5,319,869 A	6/1994	McDonald et al.	D613,482 S	4/2010	Della Valle et al.	
5,371,926 A	12/1994	Van Noy et al.	7,694,438 B1	4/2010	Christensen et al.	
D356,884 S	4/1995	Ho	7,730,640 B2	6/2010	Clark et al.	
5,437,112 A	8/1995	Johnston	D618,894 S	7/2010	Taestensen	
5,465,509 A	11/1995	Fuerst et al.	D624,291 S	9/2010	Henderson	
D374,337 S	10/1996	Murai et al.	7,814,686 B2	10/2010	Becker et al.	
D393,358 S	4/1998	Teague	D634,918 S	3/2011	Katz et al.	
D395,738 S	7/1998	Hatfield et al.	7,895,772 B2	3/2011	Mariacher	
5,784,807 A	7/1998	Pagel	7,906,199 B2	3/2011	Rearick et al.	
D398,743 S	9/1998	Rask	D639,037 S	6/2011	McVicker et al.	
D401,039 S	11/1998	Lupo	7,954,259 B2	6/2011	Antonelli et al.	
D401,741 S	12/1998	Clarke	D643,189 S	8/2011	Teteriatnikov	
D406,690 S *	3/1999	Vestuti	D643,602 S	8/2011	Teteriatnikov	D2/916
D412,236 S	7/1999	von Conta	D644,418 S	9/2011	Yi	
5,918,338 A	7/1999	Wong	8,028,442 B2	10/2011	Hodgson	
D414,317 S	9/1999	Lubart	D648,514 S	11/2011	Avar	
D416,126 S	11/1999	Jimenez	D653,842 S	2/2012	Weiss	
D418,282 S	1/2000	von Conta et al.	D657,947 S	4/2012	Recchi et al.	
D422,128 S	4/2000	Adler	8,146,273 B2	4/2012	Sokolowski	
D431,349 S	10/2000	Matis et al.	8,151,489 B2	4/2012	Marvin et al.	
D437,477 S	2/2001	Tyler	8,181,363 B2	5/2012	Klein	
D441,175 S	5/2001	Ritter et al.	8,196,322 B2	6/2012	Atsumi et al.	
D447,616 S	9/2001	Bandini et al.	D662,697 S	7/2012	Portzline	
D452,362 S	12/2001	Mastroianni et al.	D663,933 S	7/2012	Lane	
D453,989 S	3/2002	Cagner	8,256,141 B2	9/2012	Christensen et al.	
D458,742 S	6/2002	Crary et al.	D671,306 S	11/2012	Tzenos	
6,412,196 B1	7/2002	Gross	D671,723 S	12/2012	Teteriatnikov	
D465,905 S	11/2002	Meza et al.	8,356,429 B2	1/2013	Eder et al.	
D466,277 S	12/2002	Smith, III	D676,635 S	2/2013	Bosomworth	
D466,278 S	12/2002	Smith, III	D677,869 S	3/2013	Labarbera et al.	
D468,085 S	1/2003	Baker	8,414,811 B1	4/2013	De Santis et al.	
6,523,282 B1	2/2003	Johnston	D682,515 S	5/2013	Della Valle et al.	
D475,181 S	6/2003	McClaskie	D682,516 S	5/2013	Avar et al.	
D476,471 S	7/2003	Alfaro	D685,166 S	7/2013	Hatfield et al.	
6,606,804 B2	8/2003	Kaneko et al.	D687,221 S	8/2013	Taylor	
D480,541 S	10/2003	Galway	D689,273 S	9/2013	Hardman	
D486,632 S	2/2004	Adams	D689,675 S	9/2013	Hardman	
D486,633 S	2/2004	Adams	D690,088 S *	9/2013	Hardman	D2/947
6,701,644 B2	3/2004	Oorei et al.	D691,785 S	10/2013	Chang	
6,708,427 B2	3/2004	Sussmann et al.	D692,217 S	10/2013	Fogg	
D495,859 S	9/2004	Kubo et al.	D696,852 S	1/2014	Madore	
D498,352 S	11/2004	Ringholz et al.	D701,680 S	4/2014	Della Valle et al.	
6,817,112 B2	11/2004	Berger et al.	D702,025 S	4/2014	Della Valle et al.	
D507,097 S	7/2005	Sonnergren	D702,026 S	4/2014	Della Valle et al.	
6,915,596 B2	7/2005	Grove et al.	D708,828 S	7/2014	Avar et al.	
D511,886 S	11/2005	Galway	8,789,298 B2	7/2014	Eder et al.	
D512,818 S	12/2005	Mitani et al.	D713,624 S	9/2014	Petrie	
6,973,746 B2	12/2005	Auger et al.	D713,625 S	9/2014	Raasch	
D515,286 S	2/2006	Dabah	D713,636 S	9/2014	Cin	
D516,783 S	3/2006	Chu	8,844,171 B2	9/2014	Eder et al.	
D517,297 S	3/2006	Jones et al.	8,850,721 B2	10/2014	Long et al.	
7,010,872 B2	3/2006	Pawlus et al.	8,869,431 B2	10/2014	Dimatteo	
D520,732 S	5/2006	Mitani et al.	D717,526 S *	11/2014	Cho	D2/909

D718,033 S 11/2014 Cin
 8,887,411 B2 11/2014 Lacorazza et al.
 D722,425 S 2/2015 Cin
 D722,749 S 2/2015 Svensson et al.
 8,959,796 B2 2/2015 Lazaris
 9,032,645 B2 5/2015 Stauffer
 9,038,288 B2 5/2015 Droege et al.
 D731,761 S 6/2015 Carroll et al.
 D731,767 S 6/2015 Lan
 D732,284 S 6/2015 Yasui et al.
 D737,037 S * 8/2015 Dolce D2/972
 D737,038 S * 8/2015 Dolce D2/972
 9,101,179 B2 8/2015 Marvin et al.
 D738,092 S * 9/2015 Caron D2/972
 D738,600 S 9/2015 Vasyli
 D739,128 S 9/2015 Vasyli
 9,173,448 B1 11/2015 Knoblauch
 9,179,732 B2 11/2015 Minami
 D745,771 S 12/2015 Cin
 D748,899 S 2/2016 Bartel
 9,295,304 B2 3/2016 Hatfield et al.
 9,320,313 B2 4/2016 Craig et al.
 D756,620 S * 5/2016 Boys D2/947
 D761,005 S 7/2016 Nataadiningrat
 D765,360 S 9/2016 Petrie
 D765,363 S 9/2016 Petrie
 D770,153 S * 11/2016 Marvin D2/951
 D773,159 S 12/2016 Seamarks
 D773,168 S * 12/2016 Cin D2/973
 D778,551 S 2/2017 Pauk
 D778,553 S * 2/2017 DeAlmeida D2/947
 9,585,434 B2 3/2017 Van Atta et al.
 D782,790 S * 4/2017 Lee D2/947
 D783,995 S * 4/2017 Kuerbis D2/972
 D789,659 S 6/2017 Stovall
 D789,664 S * 6/2017 Seo D2/951
 D789,674 S 6/2017 Williams, Jr.
 9,675,130 B2 6/2017 Ueda et al.
 D791,453 S * 7/2017 McMillan D2/947
 9,693,604 B2 7/2017 Cin et al.
 D793,046 S * 8/2017 Lee D2/947
 D794,290 S * 8/2017 Nethongkome D2/947
 D794,293 S 8/2017 Robusti
 D794,294 S 8/2017 Robusti
 D794,296 S * 8/2017 Lee D2/947
 D795,541 S * 8/2017 Henrichot D2/947
 D796,802 S 9/2017 Kinley
 D796,804 S 9/2017 Young
 D796,816 S * 9/2017 Klein D2/972
 9,750,304 B2 9/2017 Kohatsu et al.
 D798,555 S * 10/2017 Enayah D2/947
 D798,559 S * 10/2017 Pauk D2/947
 D799,180 S 10/2017 Sokol
 D799,807 S * 10/2017 Sokol D2/972
 D802,266 S * 11/2017 Hardman D2/947
 D802,280 S * 11/2017 Comeaux D2/972
 D802,283 S * 11/2017 McCullagh D2/972
 D802,284 S * 11/2017 McCullagh D2/972
 D807,014 S * 1/2018 Sullivan D2/972
 D807,632 S * 1/2018 Sullivan D2/972
 D808,631 S * 1/2018 Enayah D2/972
 9,867,426 B2 * 1/2018 Conant A43B 13/186
 2004/0128863 A1 7/2004 Hong et al.
 2004/0244226 A1 12/2004 Farys et al.
 2005/0257402 A1 11/2005 Kobayashi
 2006/0059716 A1 3/2006 Yamashita et al.
 2008/0034613 A1 2/2008 Wilkenfeld et al.
 2010/0083541 A1 4/2010 Baucom et al.
 2010/0115796 A1 5/2010 Pulli
 2010/0287792 A1 11/2010 Hide
 2011/0185597 A1 8/2011 Guest
 2012/0304503 A1 12/2012 Bouvet et al.
 2013/0031805 A1 * 2/2013 Crowley, II A43B 7/144
 36/103
 2013/0312284 A1 * 11/2013 Berend A43B 1/0027
 36/84
 2014/0150298 A1 * 6/2014 Crowley A43B 7/1445
 36/103
 2015/0173454 A1 6/2015 Perez et al.

2015/0181976 A1 7/2015 Cooper et al.
 2015/0257489 A1 9/2015 Trudel
 2015/0342292 A1 12/2015 Mariacher
 2015/0342300 A1 * 12/2015 Cin A43B 17/003
 36/103
 2016/0095384 A1 4/2016 Kraft
 2016/0143386 A1 * 5/2016 Cone A43B 3/16
 36/7.1 R
 2016/0174660 A1 6/2016 Iuchi et al.
 2016/0213095 A1 7/2016 Kohatsu et al.
 2016/0262494 A1 9/2016 Weidl
 2016/0286898 A1 10/2016 Manz et al.
 2016/0295955 A1 10/2016 Wardlaw et al.
 2016/0338449 A1 11/2016 Steuerwald
 2017/0156439 A1 6/2017 Yoshida et al.
 2017/0251761 A1 9/2017 Cin et al.
 2017/0258179 A1 9/2017 Conant et al.

OTHER PUBLICATIONS

Nike Revolution 4 Flyease, Nike.com, [online], [site visited Feb. 13, 2018]. <URL: <https://www.nike.com/t/revolution-4-flyease-mens-running-shoe-Jl6Qct>> (Year: 2018).*

Jordan Ultra Fly 2 Low, Nike.com, [online], [site visited Feb. 13, 2018]. <URL: <https://www.nike.com/t/jordan-ultra-fly-2-low-mens-basketball-shoe-bky9JP>> (Year: 2018).*

Nike Tiempox Legend VII Academy IC, Nike.com, [online], [site visited Feb. 13, 2018]. <URL: <https://www.nike.com/t/tiempox-legend-vii-academy-indoor-court-soccer-shoe-8g0JDN>> (Year: 2018).*

Nike Metcon 3 Realtree, Nike.com, [online], [site visited Feb. 13, 2018]. <URL: <https://www.nike.com/t/metcon-3-realtree-mens-training-shoe-qkfoMK>> (Year: 2018).*

Nike MetCon Crossfit Shoes Review, YouTube.com, Rizknows, Published on Mar. 28, 2015, [online], [site visited Feb. 13, 2018]. <URL: <https://www.youtube.com/watch?v=XJN6cMGpvlM>> (Year: 2015).*

Nike Footwear Catalog, 1986 Fall Performance, p. 92, published Jan. 1986, NIKE, Inc., USA.

Nike Footwear Catalog, 1986 Fall Performance, p. 58, published Jan. 1986, NIKE, Inc., USA.

Nike Footwear Catalog, 1987 Fall Footwear, p. 96, published Jan. 1987, NIKE, Inc., USA.

Nike Footwear Catalog, 1988 Fall Footwear, p. 52, published Dec. 1987, NIKE, Inc., USA.

Nike Footwear Catalog, 1988 Fall Footwear, p. 54, published Dec. 1987, NIKE, Inc., USA.

Nike Footwear Catalog, 1989 Fall Footwear, p. 26, published Dec. 1988, NIKE, Inc., USA.

Nike Footwear Catalog, 1989 Fall Footwear, p. 46, published Dec. 1988, NIKE, Inc., USA.

Nike Footwear Catalog, 1989 Fall Footwear, p. 70, published Dec. 1988, NIKE, Inc., USA.

Nike Footwear Catalog, 1990 Fall Footwear, p. 84, published Dec. 1989, NIKE, Inc., USA.

Nike Footwear Catalog, 1990 Spring Footwear, p. 4, published Jun. 1989, NIKE, Inc., USA.

Nike Footwear Catalog, 1990 Spring Footwear, p. 96, published Jun. 1989, NIKE, Inc., USA.

Nike Footwear Catalog, 1991 Fall Footwear, p. 120, published Dec. 1990, NIKE, Inc., USA.

Nike Footwear Catalog, 1991 Spring Footwear, p. 46, published Jun. 1990, NIKE, Inc., USA.

Nike Footwear Catalog, 1991 Spring Footwear, p. 82, published Jun. 1990, NIKE, Inc., USA.

Nike Footwear Catalog, 2006 Fall Footwear, p. 44, published Nov. 2005, NIKE, Inc., USA.

Nike Footwear Catalog, 2010 Fall Performance Footwear, p. 78, published Nov. 2009, NIKE, Inc., USA.

Nike Footwear Catalog, 2011 Fall Men's Performance Footwear, p. 45, published Nov. 2010, NIKE, Inc., USA.

Nike Footwear Catalog, 2011 Fall Men's Performance Footwear, p. 66, published Nov. 2010, NIKE, Inc., USA.

Nike Footwear Catalog, 2011 Spring Men's Running Footwear, p. 35, published date unknown, but prior to the filing date of the present application, NIKE, Inc., USA.

Nike Footwear Catalog, 2012 Fall Men's Footwear Sportswear Best, p. 32, published Nov. 2011, NIKE, Inc., USA.

Nike Footwear Catalog, 2013 Fall City Specialty Best NA, p. 32, published Nov. 1, 2013, NIKE, Inc., USA.

Nike Footwear Catalog, 2013 Holiday City Specialty Footwear, p. 38, published Feb. 2013, NIKE, Inc., USA.

Nike Footwear Catalog, 2014 Fall Core Performance Footwear Final Low, p. 22, published Nov. 1, 2013, NIKE, Inc., USA.

Nike Footwear Catalog, 2014 Fall Sporting Goods Footwear Best, p. 223, published Nov. 1, 2013, NIKE, Inc., USA.

Nike Training Introduces the Much-Anticipated Nike Metcon 1, [online], [retrieved Jan. 9, 2018], 7 color sheets. <URL: <https://news.nike.com/news/nike-training-introduces-the-much-anticipated-metcon-1>> Publish date Jan. 28, 2015.

* cited by examiner

Primary Examiner — T. Chase Nelson

Assistant Examiner — Jonathan J. Han

(74) *Attorney, Agent, or Firm* — Banner & Witcoff, Ltd.

(57) **CLAIM**

The ornamental design for a shoe, as shown and described.

DESCRIPTION

FIG. 1 is a front perspective view of a shoe showing my new design;

FIG. 2 is a side view thereof;

FIG. 3 is an opposite side view thereof;

FIG. 4 is rear view thereof; and,

FIG. 5 is an enlarged partial view of FIG. 2.

The solid line that is not immediately adjacent to the shaded area is claimed. The broken lines showing the remainder of the shoe represent unclaimed subject matter and form no part of the claimed design.

1 Claim, 5 Drawing Sheets

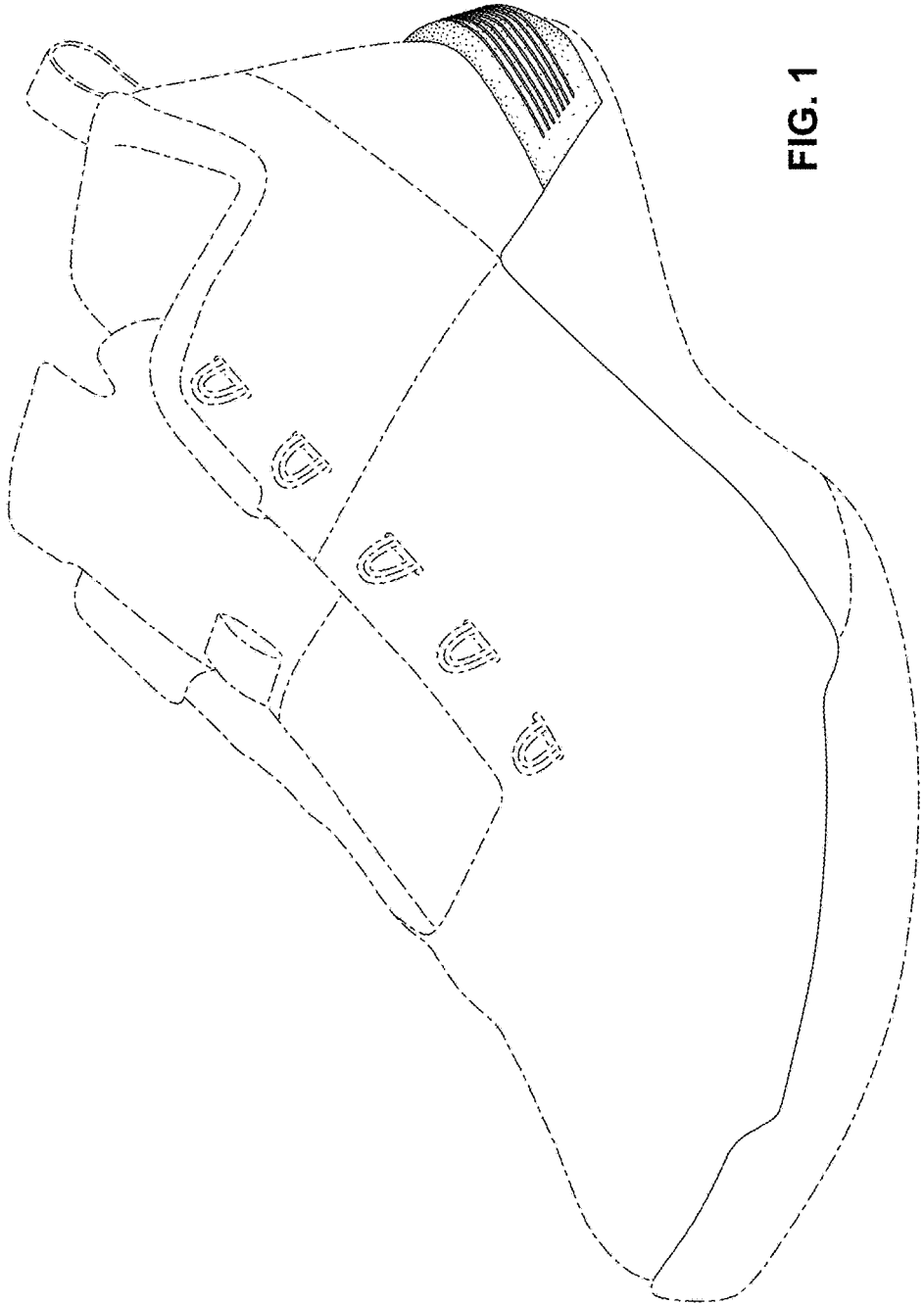


FIG. 1

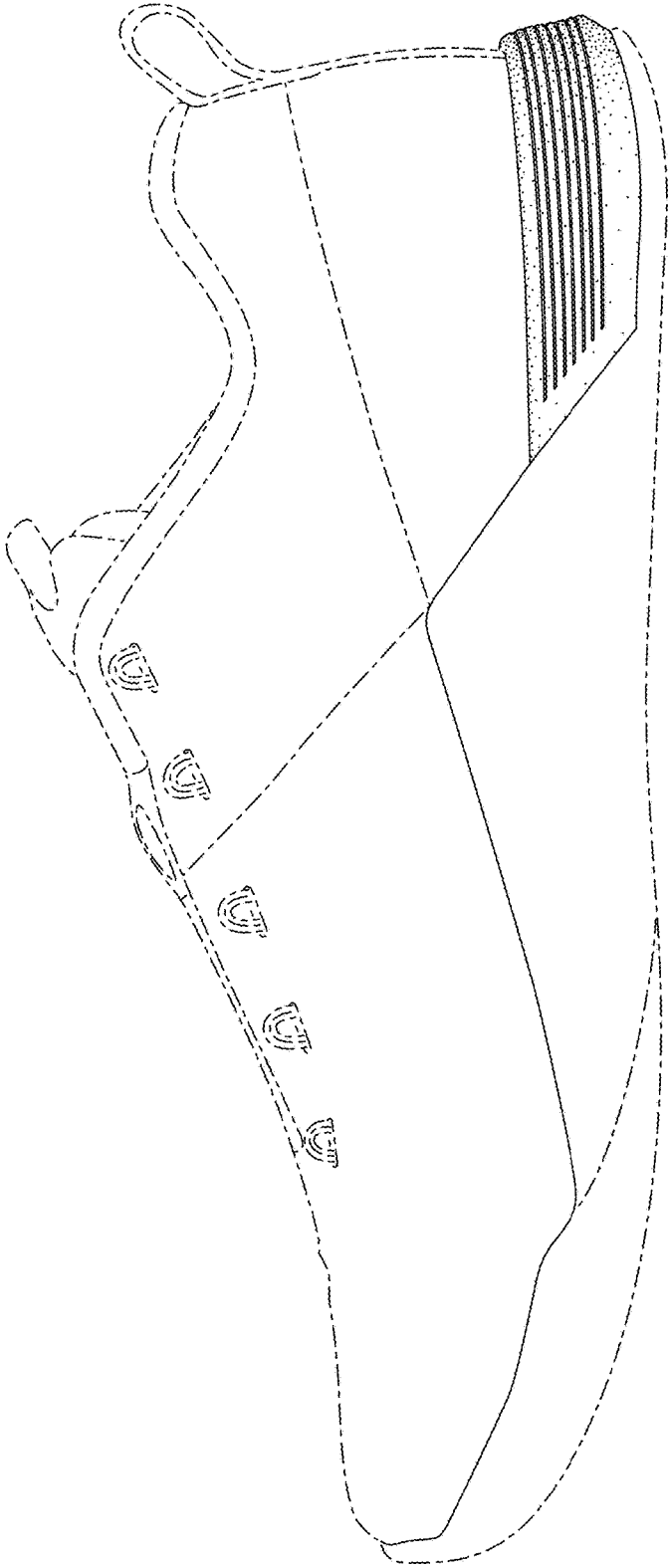


FIG. 2

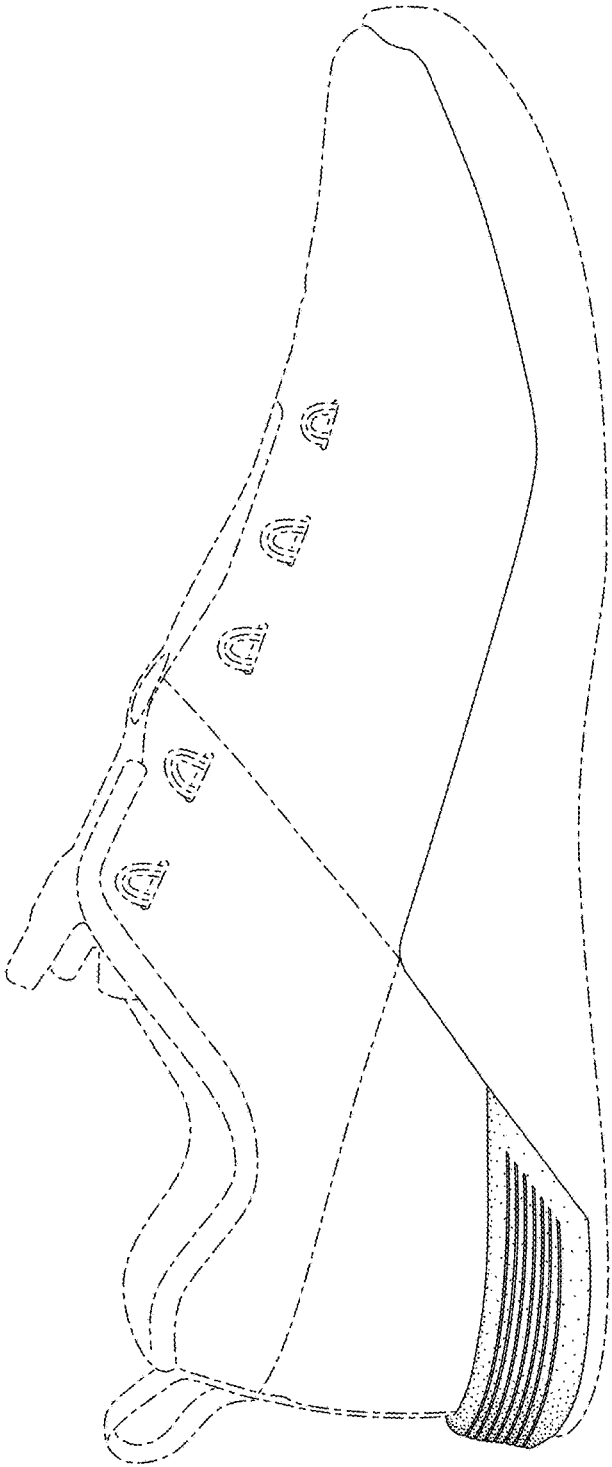


FIG. 3

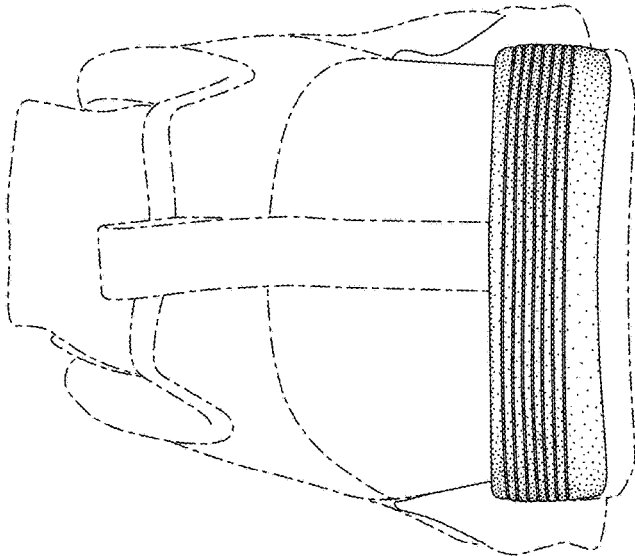


FIG. 4

FIG. 5

