



US00D847126S

(12) **United States Design Patent**
Loermann

(10) **Patent No.:** **US D847,126 S**
(45) **Date of Patent:** **** Apr. 30, 2019**

- (54) **HEADPHONE**
- (71) Applicant: **BRAGI GmbH**, München (DE)
- (72) Inventor: **Arne D. Loermann**, München (DE)
- (73) Assignee: **BRAGI GMBH**, München (DE)
- (**) Term: **15 Years**
- (21) Appl. No.: **29/650,179**
- (22) Filed: **Jun. 5, 2018**

D266,271 S	9/1982	Johanson et al.
4,375,016 A	2/1983	Harada
4,588,867 A	5/1986	Konomi
4,617,429 A	10/1986	Bellafore
4,654,883 A	3/1987	Iwata
4,682,180 A	7/1987	Gans

(Continued)

FOREIGN PATENT DOCUMENTS

EP	1017252 A3	5/2006
GB	2074817	4/1981

(Continued)

OTHER PUBLICATIONS

Announcing the \$3,333,333 Stretch Goal (Feb. 24, 2014).

(Continued)

Related U.S. Application Data

- (62) Division of application No. 29/576,545, filed on Sep. 3, 2016, now Pat. No. Des. 822,645.
- (51) **LOC (11) Cl.** **14-01**
- (52) **U.S. Cl.**
USPC **D14/223**
- (58) **Field of Classification Search**
USPC D14/205, 223, 224, 225, 226, 249;
D24/173, 174, 175
CPC .. H04R 2225/025; H04R 25/00; H04R 25/02;
H04R 25/60; H04R 25/67; H04R 25/602;
H04R 25/604; H04R 25/608; H04R
1/1016; H04R 1/105
See application file for complete search history.

Primary Examiner — Garth Rademaker
Assistant Examiner — Samantha Q Lawrence
 (74) *Attorney, Agent, or Firm* — Goodhue, Coleman & Owens, P.C.

(57) **CLAIM**

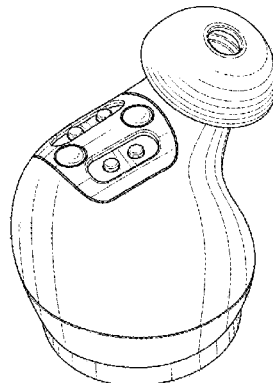
The ornamental design for headphone, as shown and described.

DESCRIPTION

FIG. 1 is a perspective view of another embodiment of a headphone for the right ear of a user in accordance with the present invention;
 FIG. 2 is a top view thereof;
 FIG. 3 is a bottom view thereof;
 FIG. 4 is a right side view thereof;
 FIG. 5 is a right side view thereof;
 FIG. 6 is a rear view thereof; and,
 FIG. 7 is a front view thereof.
 The broken lines illustrate portions of the headphone that form no part of the claimed design.

1 Claim, 2 Drawing Sheets

- (56) **References Cited**
U.S. PATENT DOCUMENTS
- | | | |
|-------------|---------|-----------------|
| 2,325,590 A | 8/1943 | Carlisle et al. |
| 2,430,229 A | 11/1947 | Kelsey |
| 3,047,089 A | 7/1962 | Zwislocki |
| D208,784 S | 10/1967 | Sanzone |
| 3,586,794 A | 6/1971 | Michaelis |
| 3,934,100 A | 1/1976 | Harada |
| 3,983,336 A | 9/1976 | Malek et al. |
| 4,069,400 A | 1/1978 | Johanson et al. |
| 4,150,262 A | 4/1979 | Ono |
| 4,334,315 A | 6/1982 | Ono et al. |



(56)

References Cited

U.S. PATENT DOCUMENTS

4,791,673	A	12/1988	Schreiber	7,215,790	B2	5/2007	Boesen et al.	
4,852,177	A	7/1989	Ambrose	D549,222	S	8/2007	Huang	
4,865,044	A	9/1989	Wallace et al.	D554,756	S	11/2007	Sjursen et al.	
4,984,277	A	1/1991	Bisgaard et al.	7,403,629	B1	7/2008	Aceti et al.	
5,008,943	A	4/1991	Arndt et al.	D579,006	S	10/2008	Kim et al.	
5,185,802	A	2/1993	Stanton	7,463,902	B2	12/2008	Boesen	
5,191,602	A	3/1993	Regen et al.	7,508,411	B2	3/2009	Boesen	
5,201,007	A	4/1993	Ward et al.	D601,134	S	9/2009	Elabidi et al.	
5,201,008	A	4/1993	Arndt et al.	D611,606	S	3/2010	Vaterlaus	
D340,286	S	10/1993	Seo	D636,492	S	4/2011	Aquilina et al.	
5,280,524	A	1/1994	Norris	7,965,855	B1	6/2011	Ham	
5,295,193	A	3/1994	Ono	7,983,628	B2	7/2011	Boesen	
5,298,692	A	3/1994	Ikeda et al.	D647,491	S	10/2011	Chen et al.	
5,343,532	A	8/1994	Shugart	8,140,357	B1	3/2012	Boesen	
5,347,584	A	9/1994	Narisawa	D666,581	S	9/2012	Perez	
5,363,444	A	11/1994	Norris	8,406,448	B2	3/2013	Lin	
D367,113	S	2/1996	Weeks	D687,021	S	7/2013	Yuen	
5,497,339	A	3/1996	Bernard	D687,952	S	8/2013	Dubs	
5,606,621	A	2/1997	Reiter et al.	D698,761	S	2/2014	Bao	D14/223
5,613,222	A	3/1997	Guenther	8,774,434	B2	7/2014	Zhao et al.	
5,654,530	A	8/1997	Sauer et al.	8,831,266	B1	9/2014	Huang	
5,692,059	A	11/1997	Kruger	D720,075	S	12/2014	Soeta et al.	
5,721,783	A	2/1998	Anderson	D725,626	S	3/2015	Kalhok	
5,748,743	A	5/1998	Weeks	D728,107	S	4/2015	Torres Martin	D24/174
5,749,072	A	5/1998	Mazurkiewicz et al.	D733,103	S	6/2015	Jeong et al.	
5,771,438	A	6/1998	Palermo et al.	D734,472	S	7/2015	Meinertz	
D397,796	S	9/1998	Yabe et al.	D735,339	S	7/2015	Meinertz	
5,802,167	A	9/1998	Hong	D744,456	S	12/2015	Pedersen	D14/223
D410,008	S	5/1999	Almqvist	D770,426	S	11/2016	LaBerge	H04R 1/1016
5,929,774	A	7/1999	Charlton	D773,439	S	12/2016	Walker	D14/223
5,933,506	A	8/1999	Aoki et al.	D775,158	S	12/2016	Dong et al.	D14/205
5,949,896	A	9/1999	Nageno et al.	D777,149	S	1/2017	Bonahoom et al.	
5,987,146	A	11/1999	Pluvinage et al.	D777,710	S	1/2017	Palmborg	D14/223
6,021,207	A	2/2000	Puthuff et al.	D788,079	S	5/2017	Son et al.	
6,054,989	A	4/2000	Robertson et al.	D805,060	S	12/2017	Loermann	D14/223
6,081,724	A	6/2000	Wilson	D809,487	S	2/2018	Lee	D14/223
6,094,492	A	7/2000	Boesen	D810,054	S	2/2018	Yuan	
6,111,569	A	8/2000	Brusky et al.	D812,042	S	3/2018	Xiao	D14/223
6,112,103	A	8/2000	Puthuff	D813,205	S	3/2018	Palmborg	D14/223
6,157,727	A	12/2000	Rueda	D813,848	S	3/2018	Palmborg	D14/223
6,167,039	A	12/2000	Karlsson et al.	D822,645	S	7/2018	Loermann	D14/223
6,181,801	B1	1/2001	Puthuff et al.	2001/0005197	A1	6/2001	Mishra et al.	
6,208,372	B1	3/2001	Barracough	2001/0027121	A1	10/2001	Boesen	
6,275,789	B1	8/2001	Moser et al.	2001/0043707	A1	11/2001	Leedom	
6,339,754	B1	1/2002	Flanagan et al.	2001/0056350	A1	12/2001	Calderone et al.	
D455,835	S	4/2002	Anderson et al.	2002/0002413	A1	1/2002	Tokue	
6,408,081	B1	6/2002	Boesen	2002/0007510	A1	1/2002	Mann	
D464,039	S	10/2002	Boesen	2002/0010590	A1	1/2002	Lee	
6,470,893	B1	10/2002	Boesen	2002/0030637	A1	3/2002	Mann	
D468,299	S	1/2003	Boesen	2002/0046035	A1	4/2002	Kitahara et al.	
D468,300	S	1/2003	Boesen	2002/0057810	A1	5/2002	Boesen	
6,542,721	B2	4/2003	Boesen	2002/0076073	A1	6/2002	Taenzer et al.	
6,560,468	B1	5/2003	Boesen	2002/0118852	A1	8/2002	Boesen	
6,654,721	B2	11/2003	Handelman	2003/0065504	A1	4/2003	Kraemer et al.	
6,664,713	B2	12/2003	Boesen	2003/0100331	A1	5/2003	Dress et al.	
6,690,807	B1	2/2004	Meyer	2003/0104806	A1	6/2003	Ruef et al.	
6,694,180	B1	2/2004	Boesen	2003/0115068	A1	6/2003	Boesen	
6,718,043	B1	4/2004	Boesen	2003/0125096	A1	7/2003	Boesen	
6,738,485	B1	5/2004	Boesen	2003/0218064	A1	11/2003	Conner et al.	
6,748,095	B1	6/2004	Goss	2004/0070564	A1	4/2004	Dawson et al.	
6,754,358	B1	6/2004	Boesen et al.	2004/0160511	A1	8/2004	Boesen	
6,784,873	B1	8/2004	Boesen et al.	2005/0043056	A1	2/2005	Boesen	
6,823,195	B1	11/2004	Boesen	2005/0125320	A1	6/2005	Boesen	
6,852,084	B1	2/2005	Boesen	2005/0148883	A1	7/2005	Boesen	
6,879,698	B2	4/2005	Boesen	2005/0165663	A1	7/2005	Razumov	
6,892,082	B2	5/2005	Boesen	2005/0196009	A1	9/2005	Boesen	
6,920,229	B2	7/2005	Boesen	2005/0251455	A1	11/2005	Boesen	
6,952,483	B2	10/2005	Boesen et al.	2005/0266876	A1	12/2005	Boesen	
6,987,986	B2	1/2006	Boesen	2006/0029246	A1	2/2006	Boesen	
7,010,137	B1	3/2006	Leedom et al.	2006/0074671	A1	4/2006	Farmaner et al.	
7,113,611	B2	9/2006	Leedom et al.	2006/0074808	A1	4/2006	Boesen	
D532,520	S	11/2006	Kampmeier et al.	2008/0254780	A1	10/2008	Kuhl et al.	
7,136,282	B1	11/2006	Rebeske	2009/0245559	A1	10/2009	Boltyenkov et al.	
7,203,331	B2	4/2007	Boesen	2017/0111726	A1	4/2017	Martin et al.	
7,209,569	B2	4/2007	Boesen	2017/0155992	A1	6/2017	Perianu et al.	
				2018/0040093	A1	2/2018	Boesen	
				2018/0060031	A1	3/2018	Boesen	
				2018/0063629	A1	3/2018	Steiner	

(56)

References Cited

U.S. PATENT DOCUMENTS

FOREIGN PATENT DOCUMENTS

JP	06292195	10/1998
WO	2014043179 A3	7/2014
WO	2015110577 A1	7/2015
WO	2015110587 A1	7/2015

OTHER PUBLICATIONS

Bragi Is On Facebook (2014).
 Bragi Update—Arrival of Prototype Chassis Parts—More People—Awesomeness (May 13, 2014).
 Bragi Update—Chinese New Year, Design Verification, Charging Case, More People, Timeline (Mar. 6, 2015).
 Bragi Update—First Sleeves From Prototype Tool—Software Development Kit (Jun. 5, 2014).
 Bragi Update—Let’s Get Ready To Rumble, A Lot To Be Done Over Christmas (Dec. 22, 2014).
 Bragi Update—Memories From April—Update On Progress (Sep. 16, 2014).
 Bragi Update—Memories from May—Update on Progress—Sweet (Oct. 13, 2014).
 Bragi Update—Memories From One Month Before Kickstarter—Update On Progress (Jul. 10, 2014).
 Bragi Update—Memories From The First Month of Kickstarter—Update on Progress (Aug. 1, 2014).
 Bragi Update—Memories From The Second Month of Kickstarter—Update On Progress (Aug. 22, 2014).
 Bragi Update—New People @Bragi—Prototypes (Jun. 26, 2014).
 Bragi Update—Office Tour, Tour To China, Tour to CES (Dec. 11, 2014).
 Bragi Update—Status on Wireless, Bits and Pieces, Testing—Oh Yeah, Timeline (Apr. 24, 2015).

Bragi Update—The App Preview, The Charger, The SDK, Bragi Funding and Chinese New Year (Feb. 11, 2015).
 Bragi Update—What We Did Over Christmas, Las Vegas & CES (Jan. 19, 2015).
 Bragi Update—Years of Development, Moments of Utter Joy and Finishing What We Started (Jun. 5, 2015).
 Bragi Update—Alpha 5 and Back To China, Backer Day, On Track (May 16, 2015).
 Bragi Update—Beta2 Production and Factory Line (Aug. 20, 2015).
 Bragi Update—Certifications, Production, Ramping Up (Nov. 13, 2015).
 Bragi Update—Developer Units Shipping and Status (Oct. 5, 2015).
 Bragi Update—Developer Units Started Shipping and Status (Oct. 19, 2015).
 Bragi Update—Developer Units, Investment, Story and Status (Nov. 2, 2015).
 Bragi Update—Getting Close (Aug. 6, 2015).
 Bragi Update—On Track, Design Verification, How It Works and What’s Next (Jul. 15, 2015).
 Bragi Update—On Track, On Track and Gems Overview (Jun. 24, 2015).
 Bragi Update—Status On Wireless, Supply, Timeline and Open House@Bragi (Apr. 1, 2015).
 Bragi Update—Unpacking Video, Reviews On Audio Perform and Boy Are We Getting Close (Sep. 10, 2015).
 Last Push Before The Kickstarter Campaign Ends on Monday 4pm CET (Mar. 28, 2014).
 Staab, Wayne J., et al., “A One-Size Disposable Hearing Aid is Introduced”, *The Hearing Journal* 53(4):36-41 Apr. 2000.
 Stretchgoal—It’s Your Dash (Feb. 14, 2014).
 Stretchgoal—The Carrying Case for The Dash (Feb. 12, 2014).
 Stretchgoal—Windows Phone Support (Feb. 17, 2014).
 The Dash + The Charging Case & The Bragi News (Feb. 21, 2014).
 The Dash—A Word From Our Software, Mechanical and Acoustics Team + An Update (Mar. 11, 2014).
 Update From Bragi—\$3,000,000—Yipee (Mar. 22, 2014).

* cited by examiner

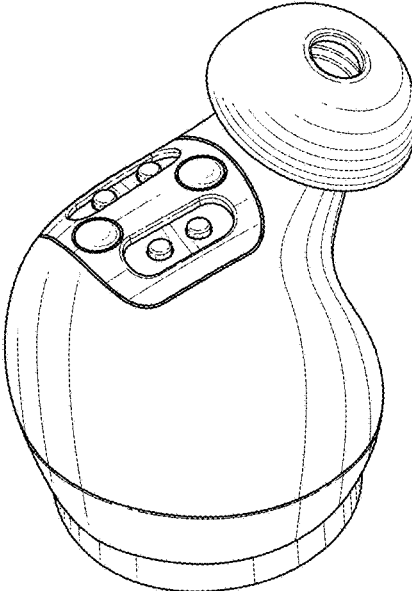


FIG. 1

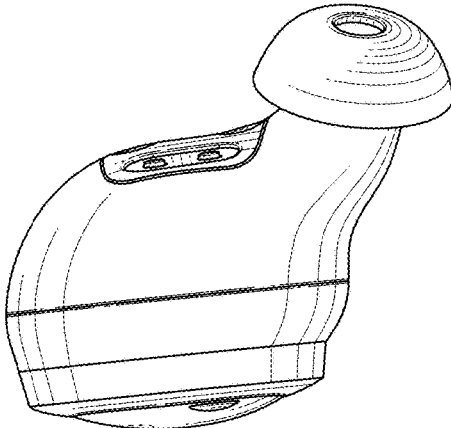


FIG. 2

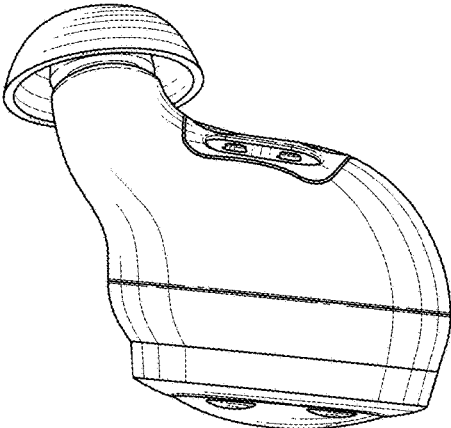


FIG. 3

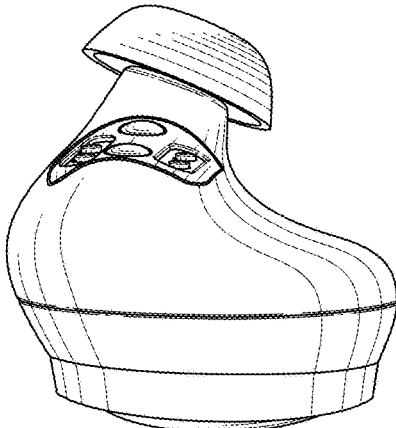


FIG. 4

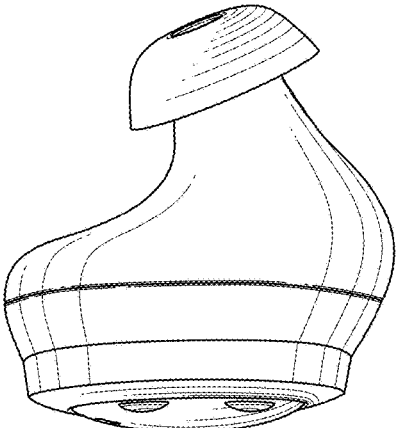


FIG. 5

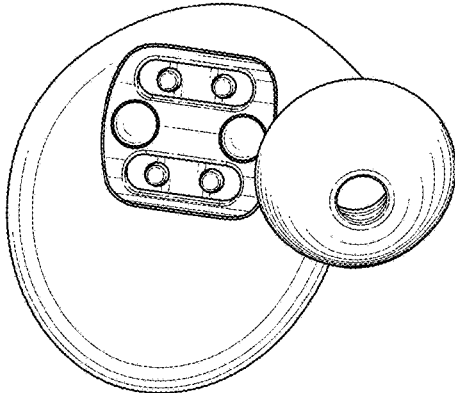


FIG. 6

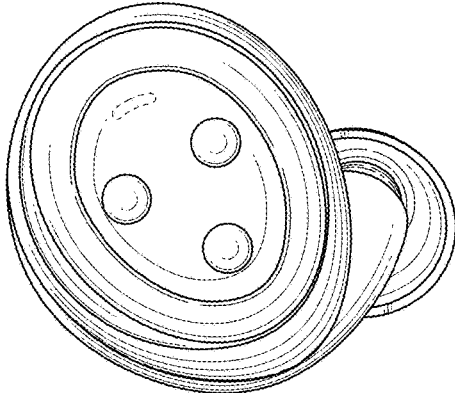


FIG. 7