



US00D855190S

(12) **United States Design Patent**
Wu et al.

(10) **Patent No.:** **US D855,190 S**

(45) **Date of Patent:** **** Jul. 30, 2019**

(54) **ULTRASONIC DIAGNOSIS APPARATUS**

(71) Applicant: **General Electric Company,**
Schenectady, NY (US)

(72) Inventors: **Yue Wu,** Wuxi (CN); **Aurelie Boudier,**
Bois d'arcy (FR); **Lionel Wodecki,**
Maisons Alfort (FR); **Lanping Liu,**
Wuxi (CN); **Li Liu,** Shanghai (CN); **Bo**
Tang, Wuxi (CN); **Stephane Graziani,**
Asnieres sur seine (FR); **Xiaoren**
Wang, Wuxi (CN)

(73) Assignee: **General Electric Company,**
Schenectady, NY (US)

(**) Term: **15 Years**

(21) Appl. No.: **29/627,958**

(22) Filed: **Nov. 30, 2017**

(30) **Foreign Application Priority Data**

May 31, 2017 (CN) 2017 3 0213821

(51) **LOC (11) Cl.** **24-01**

(52) **U.S. Cl.**
USPC **D24/185; D24/160**

(58) **Field of Classification Search**
USPC D24/152, 158, 160, 161, 185, 186, 187,
D24/231; D14/315, 318
CPC ... A61B 6/4405; A61B 6/4411; A61B 6/4435;
A61B 6/4441; A61B 6/4447; A61B
8/4405; A61B 8/4411; A61B 8/4427;
A61B 8/462; A61B 8/0437; A61B 8/0883
See application file for complete search history.

(56) **References Cited**

U.S. PATENT DOCUMENTS

D662,208 S * 6/2012 Otoha D24/185
D707,359 S * 6/2014 Kim D24/185

D711,539 S * 8/2014 Hunt D24/158
D713,035 S * 9/2014 Kim D24/158
D728,790 S * 5/2015 Kim D24/158
D728,791 S * 5/2015 Ninomiya D24/158
D743,558 S * 11/2015 Kim D24/158
D804,673 S * 12/2017 Shin D24/186
D825,763 S * 8/2018 Lim D24/160
2007/0270694 A1* 11/2007 Pelissier A61B 8/4405
600/443

* cited by examiner

Primary Examiner — Anhdao Doan

(74) *Attorney, Agent, or Firm* — McCoy Russell LLP

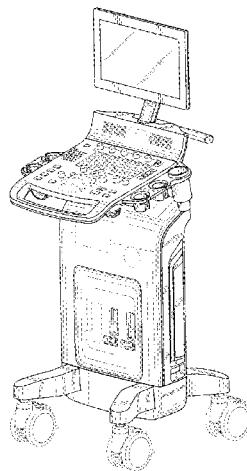
(57) **CLAIM**

The ornamental design for an ultrasound diagnostic apparatus, as shown and described.

DESCRIPTION

FIG. 1 is a perspective view of an ultrasonic diagnosis apparatus in accordance with the design;
FIG. 2 is a front view of the ultrasonic diagnosis apparatus shown in FIG. 1;
FIG. 3 is a rear view of the ultrasonic diagnosis apparatus shown in FIG. 1;
FIG. 4 is a left side view of the ultrasonic diagnosis apparatus shown in FIG. 1;
FIG. 5 is a right side view of the ultrasonic diagnosis apparatus shown in FIG. 1;
FIG. 6 is a top view of the ultrasonic diagnosis apparatus shown in FIG. 1; and,
FIG. 7 is a bottom view of the ultrasonic diagnosis apparatus shown in FIG. 1.
The broken lines in FIGS. 1-7 illustrate portions of the ultrasonic diagnosis apparatus that form no part of the claimed design.

1 Claim, 7 Drawing Sheets



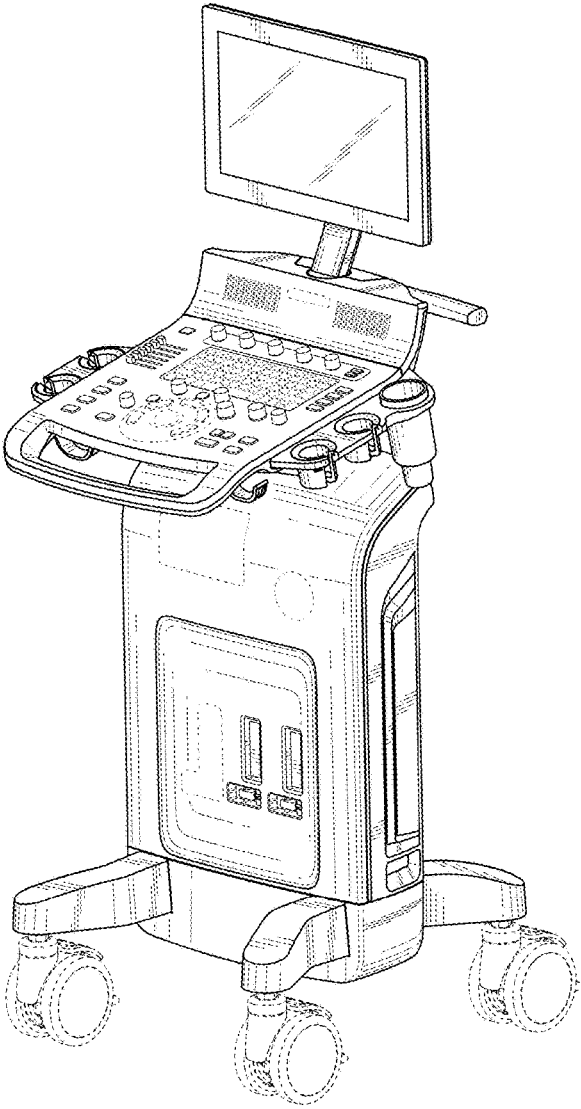


FIG. 1

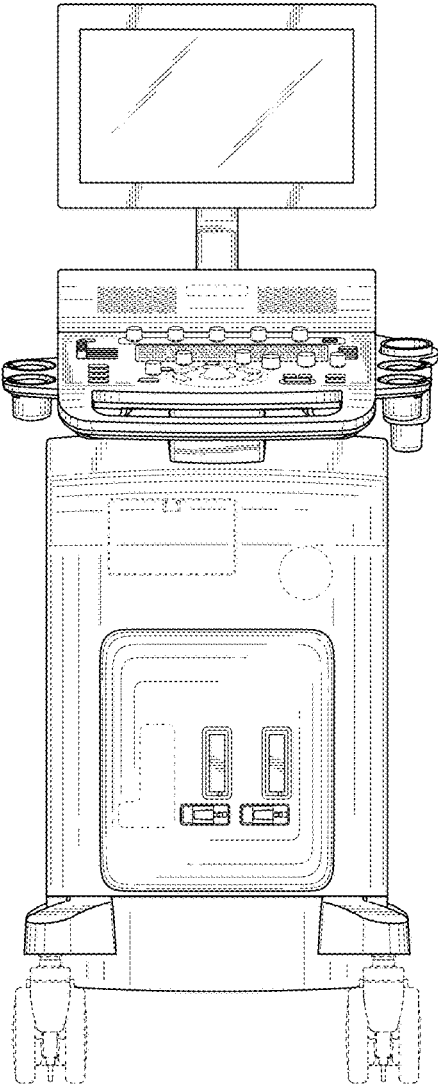


FIG. 2

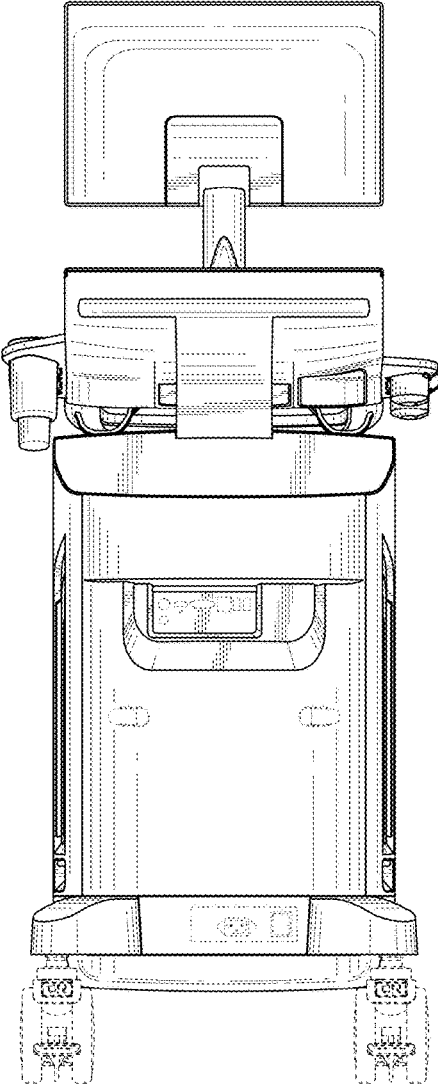


FIG. 3

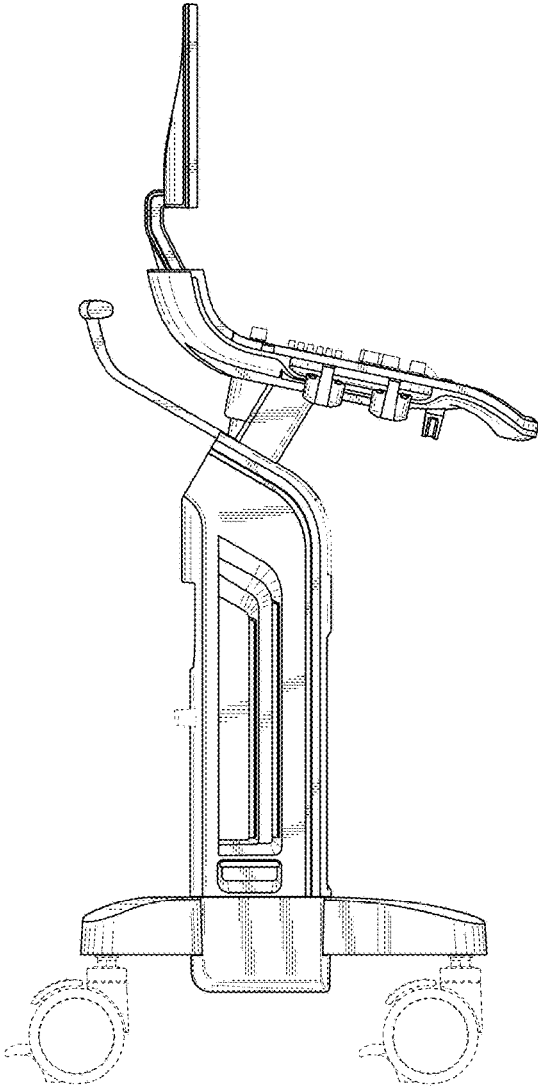


FIG. 4

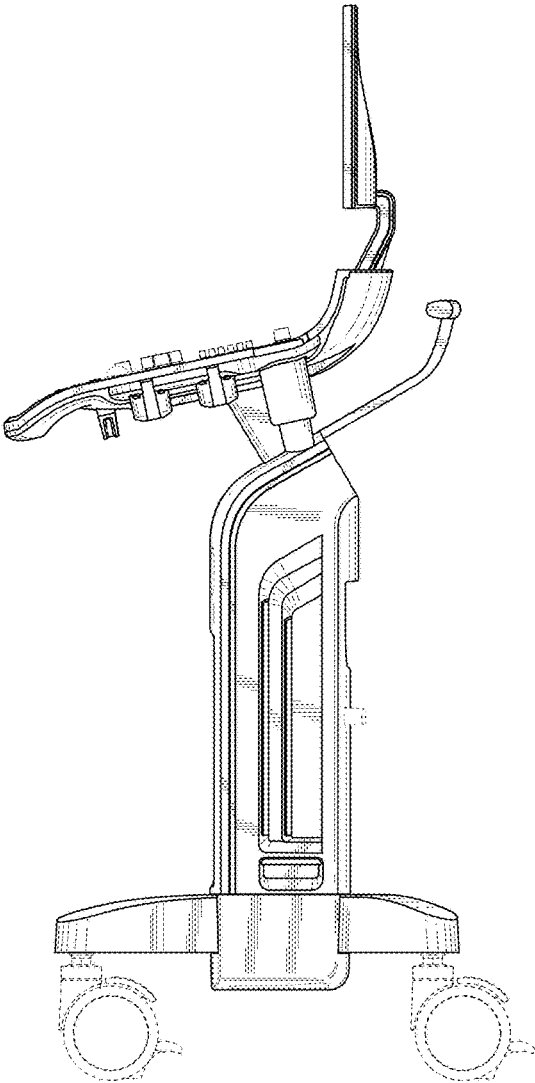


FIG. 5

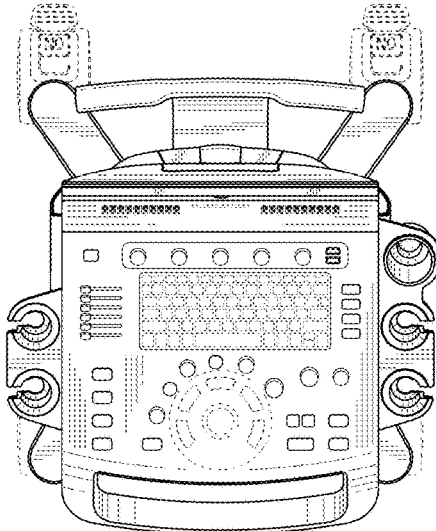


FIG. 6

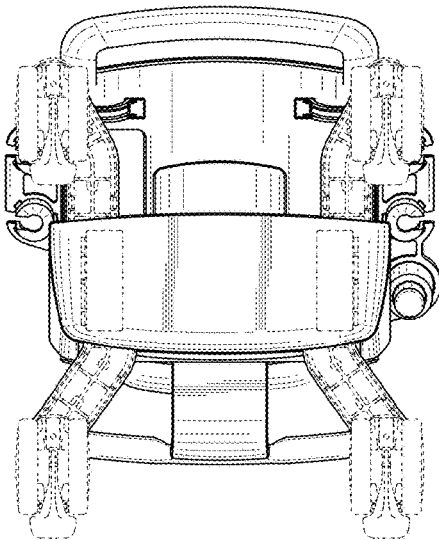


FIG. 7