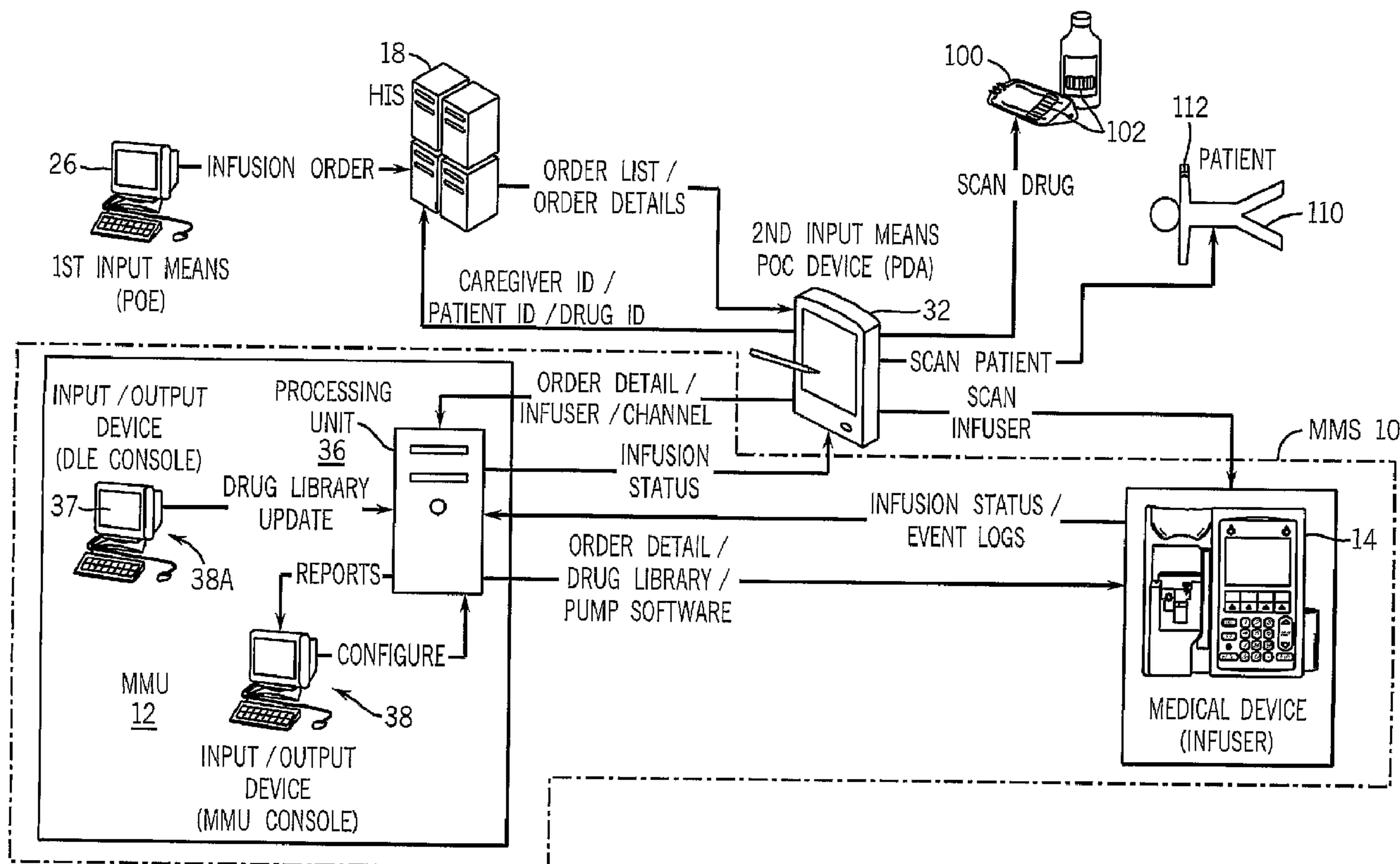




(86) Date de dépôt PCT/PCT Filing Date: 2004/10/07
 (87) Date publication PCT/PCT Publication Date: 2005/04/21
 (45) Date de délivrance/Issue Date: 2014/09/30
 (85) Entrée phase nationale/National Entry: 2006/07/27
 (86) N° demande PCT/PCT Application No.: US 2004/033409
 (87) N° publication PCT/PCT Publication No.: 2005/036447
 (30) Priorités/Priorities: 2003/10/07 (US60/509,404);
 2003/11/13 (US60/519,646); 2003/12/05 (US60/527,583);
 2003/12/05 (US60/527,550); 2004/02/20 (US10/783,649);
 2004/02/20 (US10/783,641); 2004/02/20 (US10/783,642);
 2004/02/20 (US10/783,640); 2004/02/20 (US10/783,648);
 2004/02/20 (US10/783,877); ...

(51) Cl.Int./Int.Cl. *G06Q 50/22* (2012.01),
A61G 99/00 (2006.01), *A61M 5/172* (2006.01),
G06F 19/00 (2011.01)
 (72) Inventeurs/Inventors:
 HOLLAND, GEOFFREY N., US;
 KEELY, PATRICK B., US;
 PELLETIER, JEFF, US;
 MORAN, CHARLES P., US;
 SILKAITIS, RAYMOND P., US;
 HUANG, JOHN W., US;
 ...
 (73) Propriétaire/Owner:
 HOSPIRA, INC., US
 (74) Agent: MBM INTELLECTUAL PROPERTY LAW LLP

(54) Titre : **SYSTEME DE GESTION DE MEDICATION**
 (54) Title: **MEDICATION MANAGEMENT SYSTEM**



(57) Abrégé/Abstract:
 The invention provides a medication management system (MMS) which includes a medication management unit (MMU) associated with one or more medical devices and methods of utilizing the MMS. The medical device receives delivery information

(30) **Priorités(suite)/Priorities(continued)**: 2004/02/20 (US10/783,792); 2004/02/20 (US10/783,573);
2004/08/31 (US10/930,358)

(72) **Inventeurs(suite)/Inventors(continued)**: RUBALCABA, BERNARDINO JR., US; MCNEELA, MARTIN A., US;
HAQUE, IMTIYAZ, US; FATHALLAH, MARWAN, US; DOVY-DAITIS, VINCENT, III, US; HOWARD, GARY A., US;
FRANZ, ERIC H., US; CASSIDY, DAVID, US

(57) **Abrégé(suite)/Abstract(continued)**:

only from the MMU. The medication order is performed only after delivery data validation. The MMU also determines drug-drug incompatibility. The MMU can modulate (start, stop, sequence and dynamically adjust) medication order performance. The MMU can evaluate the performance of medical devices and caregivers based medical device feedback. The MMU can also transit instructions for dynamically adjusting the screen brightness of a pump screen display. Thus, hospital users of the system are able to more readily automatically identify devices and caregivers that are behaving abnormally and take appropriate action to improve device operation, patient safety and caregiver productivity.

ABSTRACT

The invention provides a medication management system (MMS) which includes a medication management unit (MMU) associated with one or more medical devices and methods of utilizing the MMS. The medical device receives delivery information only from the MMU. The medication order is performed only after delivery data validation. The MMU also determines drug-drug incompatibility. The MMU can modulate (start, stop, sequence and dynamically adjust) medication order performance. The MMU can evaluate the performance of medical devices and caregivers based medical device feedback. The MMU can also transmit instructions for dynamically adjusting the screen brightness of a pump screen display. Thus, hospital users of the system are able to more readily automatically identify devices and caregivers that are behaving abnormally and take appropriate action to improve device operation, patient safety and caregiver productivity.

MEDICATION MANAGEMENT SYSTEM

FIELD OF THE INVENTION

The present invention relates to the field of delivering medication to patients, more particularly to an integrated system for maximizing patient safety and caregiver productivity for medication delivery.

BACKGROUND OF THE INVENTION

Modern medical care often involves the use of medical pump devices to deliver fluids and/or fluid medicine to patients. Medical pumps permit the controlled delivery of fluids to a patient, and such pumps have largely replaced gravity flow systems, primarily due to the pump's much greater accuracy in delivery rates and dosages, and due to the possibility for flexible yet controlled delivery schedules. However, modern medical devices, including medical pumps, can be complicated and time-consuming for caregivers to program. Medical facilities struggle to provide appropriate caregiver staffing levels and training while holding down the cost of medical care. Human errors in pump programming and other medication errors can have adverse or even deadly consequences for the patient.

Engleson *et al.* (WO96/36923) disclose a care management system in which the management of the administration of care for patients is automated. Engleson *et al.* disclosed that hospital information systems are monitored and the information from those systems is used in verifying the administration of care to patients. The care management system monitors ongoing administrations for progress and automatically updates records and provides alarms when necessary. Features of this system include the automatic provision of infusion parameters to pumps and providing an alarm when an unscheduled suspension of an infusion exceeds a predetermined length of time.

There is a need in the art for an integrated system for maximizing patient safety and caregiver productivity for medication delivery.

SUMMARY OF THE INVENTION

A principal object of this invention is to provide an integrated medication management system that reduces the risks of medication error and improves patient safety.

A further object of the invention is to provide a medication management system that improves caregiver productivity.

Another object of the invention is to provide a medication management system that improves the accuracy of the medication delivery process by eliminating labor-intensive tasks that can lead to human errors.

A still further object of the invention is to provide a medication management system that relies on an electronically-transmitted medication order and machine readable indicia on the drug container, patient, and medication delivery device to insure the "five rights" of medication management, i.e., that the right medication is delivered to the right patient through the right route in the right dosage at the right time.

Another object of the invention is to provide the caregiver with a pass code or machine-readable indicia to insure that only an authorized individual caregiver can initiate a medication order and that an authorized caregiver must confirm the medication order prior to its administration to the patient.

A still further object of the invention is to provide a medication management system wherein the medical device receives delivery information electronically only through a medication management unit.

Another object of the invention is to provide medication management system wherein the medical device is preprogrammed and executes the medication order only after a user has validated delivery data.

A still further object of the invention is to provide a medication management system wherein the physical location of a medical device can be determined and pinpointed based on the last access node used by the medical device.

Another object of the invention is to provide a medication management system for adjusting a patient-specific rule set based on new patient conditions and/or recent lab results.

A still further object of the invention is to provide a medication management system for determining drug-drug incompatibility between two medication orders for concurrent delivery (to the same patient at the same time) and/or in an unacceptably close time sequence.

Another object of the invention is to provide a medication management system for remotely sending an order or information to the medical device to modulate a planned or ongoing medication order and delivery thereof to the patient.

A still further object of the invention is to provide a medication management system for automatically associating a medical device with a patient based on wireless transmission of a patient ID to the medical device, thereby establishing a patient area network.

Another object of the invention is to provide a medication management system for caching an updated drug library at the medical device to replace an existing drug library, during execution of a medication order.

A still further object of the invention is to provide a medication management system for displaying a picture of the patient on a device within the system, such as at the medical device, for a caregiver to perform a visual validation of the right patient.

Another object of the invention is to provide a medication management system for evaluating the performance of multiple medical devices based on information from the multiple medical devices.

A still further object of the invention is to provide a medication management system for evaluating the performance of one or more caregivers based on information from multiple medical devices.

Another object of the invention is to provide a medication

3a

management system for adjusting medical device output conveyed to a caregiver based on multiple factors.

These and other objects will be apparent to those skilled in the art.

A medication management system includes a medication management unit (MMU) associated with a medical device for performing a prescribed medication order. The MMU compares medication order information from a first input means to machine readable delivery information from a second input means and

downloads a medication order to the medical device only if the information from the first input means matches the information from the second input means. The medical device receives medication order information electronically only through the medication management unit (i.e., does not receive delivery information directly from the second input means). The MMU permits the medical device to perform the order only after a user has validated delivery data at the medical device.

The MMU determines the general physical location of a medical device based on the last access node used by the wireless connectivity capability in the medical device and an audible alarm can be activated to allow a user to pinpoint the physical location of the medical device more precisely.

Using expert clinical support decision rules, the MMU also determines drug-drug incompatibility between two medication orders for concurrent delivery (to the same patient at the same time) and/or in an unacceptably close time sequence through the same output IV line. Further, the MMU also adjusts patient-specific rule sets based on newly measured or observed patient conditions and/or recent lab results. Advantageously, warnings, alarms or alerts based on violations of these rules are provided as close as possible to the actual delivery time so that they are more meaningful, ripe for corrective action, and less likely to be ignored due to incomplete information.

Based on laboratory data or other newly received patient information, the MMU can modulate the medication order planned or currently being delivered. The MMU sends an order from the MMU to the medical device to modulate performance of the medication order. The patient and the medical device automatically associate with each other to form a patient area network based on wireless transmission of ID information. During execution of a medication order, the medical device caches an updated drug library in a cache memory and, upon occurrence of a triggering event, replaces an

existing drug library in the primary memory of the device with the updated library. A picture of the patient is displayed at a device within the system, such as the medical device, for a caregiver to perform a visual validation of the right patient. The MMU evaluates the performance of multiple medical devices and one or more caregivers based on information communicated from the medical devices. The MMU adjusts medical device output conveyed to a caregiver based on multiple factors.

In other embodiments of the medication management system of this invention, the MMU receives validated, matched or verified correct medication order and delivery information from an information system directly through an electronic network or indirectly through a wireless handheld point-of-care input (scanning) device, such as a personal digital assistant (PDA). The PDA transmits the delivery information and the medication order in the form of an infusion rate to the MMU.

The MMU translates the simple infusion rate of the delivery order into delivery programming code or information suitable for automatically programming the designated pump and further checks the delivery order and delivery programming code against a variety of drug library parameters (including but not limited to hard and/or soft limits for drug delivery rates), patient-specific safety factors, and clinical decision support rules including drug-drug interactions. The MMU can be configured by the user at the MMU console to monitor the status of the pump and the infusion (including alarms, event logs, and pump user interface inputs), generate reports, and control the distribution of drug library and operating code updates to one or more pumps. A drug library editor deployed as a part of the MMU, its console, or on a separate computer, enables the user to import, export and edit whole drug libraries and individual drug library values to control and customize a drug library according to hospital preferences.

The MMU saves the caregiver time by automatically populating or programming data entry fields in the pump that previously had to be entered manually. The medication management system of this invention enhances patient safety by minimizing manual entries. The system also enhances patient safety by screening drug delivery orders for
5 conformance with established hospital practices, expert or clinical decision support rules and recommendations before (more preferably immediately before) the pump begins to execute the order. The caregiver is provided with a least one and preferably several opportunities to catch a medication error before it happens. The caregiver can confirm the order at the point-of-care device and/or before pressing the start button on the pump. The
10 system is flexible enough to permit human interventions and overrides, but tracks such events for documentation and trouble-shooting purposes.

In another aspect of the invention there is provided a method for adjusting the medical device output conveyed to a caregiver, comprising: supplying display criteria to the
15 medical device, where the display criteria is selected from the group consisting of location of the medical device in the hospital, the type of medication being supplied, time of day, caregiver information, patient information; and configuring the output of the medical device conveyed to a caregiver based on the display criteria.

20 In still another aspect of the invention there is provided a method for dynamically adjusting the screen brightness of a pump screen display, comprising the steps of: providing a medical pump comprising a screen display, the screen display having a first screen brightness and a second screen brightness; providing a medication management unit operatively connected to said medical pump, said medication management unit
25 configured to transmit operating instructions to said medical pump, said operating instructions comprising instructions to display said first screen brightness during daytime hours and instructions to display said second screen brightness during nighttime hours; determining a current time of day using said medication management unit; and transmitting instructions from said medication management unit to said screen display to
30 display said first screen brightness or said second screen brightness based upon the determined time of day.

6a

In a particular embodiment the first screen brightness is brighter than the second screen brightness.

DESCRIPTION OF THE DRAWINGS

5

FIG. 1 is a schematic diagram of the medication management system including a medication management unit and a medical device, integrated with an information system, according to the present invention.

10 FIG. 1A is an alternative schematic diagram of the medication management system including a medication management unit and a medical device, integrated with an information system, according to the present invention.

FIG. 2 is a schematic diagram of the medication management unit according to the invention.

15 FIG. 3 is a schematic diagram illustrating some of the major functions performed by the medication management unit according to the invention.

FIG. 4 is a pictorial schematic diagram of the medication management system and its interaction with medical devices and an information system in a hospital environment.

FIG. 4A is a schematic diagram of the medical device according to the invention.

FIG. 5 is a partial flow chart of the medication management system processing a drug order through the medication management unit and medical device, and integrated with an information system according to the invention.

FIG. 5A is a continuation of the flow chart of FIG. 5.

FIG. 6, is an alternative flow chart of the medication management system processing a drug order through the medication management unit and medical device, and integrated with an information system according to the invention.

FIG. 6A is a continuation of the flow chart of FIG. 6.

FIG. 7 is a screen shot of a delivery information input device for entry of a caregiver specific pass code.

FIG. 8 is a screen shot of a delivery information input device for pulling up a scan patient option.

FIG. 9 is a screen shot of a delivery information input device for entry of patient-specific information.

FIG. 10 is a screen shot of a delivery information input device displaying a task list.

FIG. 11 is a screen shot of a delivery information input device displaying a medication order prescribed for a patient.

FIG. 12 is a front view of a medical device displaying a start up screen.

FIG. 13 is a front view of a medical device with a display and user interface means for selecting a clinical care area of a medical facility.

FIG. 14 is a front view of a medical device with a display and user interface means for selecting a desired input channel of the medical device.

FIG. 15 is a front view of a medical device with a display and user interface means for confirming correct delivery programming code data at the medical device.

FIG. 16 is a screen shot of a delivery information input device for confirming correct delivery programming code data.

FIG. 17 is a schematic diagram of the medication management system including a medication management unit and one or more
5 medical devices, showing how the medication management unit communicates with a medical device to locate the device.

FIG. 18 is a flow chart of the medication management system locating a medical device.

FIG. 19 is a flow chart of the medical device
10 retrieving/receiving an updated drug library from the medication management unit.

FIG. 20 is a flow chart of the medication management system updating a delivery program code executed on the medical device based on new information from a lab system, HIS and/or monitoring
15 device.

FIG. 21 is an alternative pictorial schematic diagram of the medication management system and its interaction with medical devices and the information system.

FIG. 22 is a flow chart of the medication management system
20 generating an operation evaluation report of a caregiver or medical device.

FIG. 23 is similar to FIG. 1, but shows an alternative schematic diagram of the medication management system including a medication management unit and a medical device, integrated with
25 an information system without using a patient link, according to the present invention.

FIG. 24 is a schematic diagram that provides further detail on the architecture and workflow related to the medication management system depicted in FIG. 23.

FIG. 25 is a schematic diagram that depicts the flow of data
30 with respect to the medication management system of FIG. 23.

FIG. 26 is a flow chart showing the actions and interactions for automatically programming a medical device such as an infuser

and monitoring status of the task programmed using the medication management system of FIG. 23.

FIG. 27 is a flow chart showing the actions and interactions for downloading a drug library or other information to a medical device such as an infuser using the medication management system of FIG. 23.

FIG. 28 is a flow chart showing the actions and interactions for uploading and monitoring infusion status in the medication management system of FIG. 23.

FIG. 29 is a flow chart showing the actions and interactions for uploading and maintaining event logs in the medication management system of FIG. 23.

FIG. 30 is a schematic diagram showing the medication management unit server and the drug library editor deployed on separate computing machines according to one embodiment of the present invention.

DETAILED DESCRIPTION OF THE PREFERRED EMBODIMENT

With reference to FIGS. 1 and 1A, the medication management system (MMS) 10 of the present invention includes a medication management unit (MMU) 12 and a medical device 14, typically operating in conjunction with one or more information systems or components of a hospital environment 16. The term hospital environment should be construed broadly herein to mean any medical care facility, including but not limited to a hospital, treatment center, clinic, doctor's office, day surgery center, hospice, nursing home, and any of the above associated with a home care environment. As discussed below, there can be a variety of information systems in a hospital environment. As shown in FIG. 1, the MMU 12 communicates to a hospital information system (HIS) 18 via a caching mechanism 20 that is part of the hospital environment 16.

It will be understood by those of skill in art that the caching mechanism 20 is primarily a pass through device for facilitating communication with the HIS 18 and its functions can be eliminated or incorporated into the MMU 12 (FIG. 1A) and/or the medical device 14 and/or the HIS 18 and/or other information systems or components within the hospital environment 16. The Caching Mechanism 20 provides temporary storage of hospital information data separate from the HIS 18, the medication administration record system (MAR) 22, pharmacy information system (PhIS) 24, physician order entry (POE) 26, and/or Lab System 28. The Caching Mechanism 20 provides information storage accessible to the Medication Management System 10 to support scenarios where direct access to data within the hospital environment 16 is not available or not desired. For example, the caching mechanism 20 provides continued flow of information in and out of the MMU 12 in instances where the HIS 18 down or the connectivity between the MMU 12 and the electronic network (not shown) is down. The caching mechanism 20 also provides improved response time to queries from the MMU 12 to the HIS 18, as direct queries to the HIS 18 are not consistently processed at the same speed and often require a longer period of time for the HIS 18 to process.

The HIS 18 communicates with a medication administration record system (MAR) 22 for maintaining medication records and a pharmacy information system (PhIS) 24 for delivering drug orders to the HIS. A physician/provider order entry (POE) device 26 permits a healthcare provider to deliver a medication order prescribed for a patient to the hospital information system directly or indirectly via the PhIS 24. One skilled in the art will also appreciate that a medication order can be sent to the MMU 12 directly from the PhIS 24 or POE device 26. As used herein the term medication order is defined as an order to administer something that has a physiological impact on a person or animal, including but not limited to liquid or gaseous fluids, drugs or

medicines, liquid nutritional products and combinations thereof.

Lab system 28 and monitoring device 30 also communicate with the MMU 12 to deliver updated patient-specific information to the MMU 12. For example, the lab system 28 sends lab results of blood
5 work on a specific patient to the MMU 12, while the monitoring device 30 sends current and/or logged monitoring information such as heart rate to the MMU 12. As shown, the MMU 12 communicates directly to the lab system 28 and monitoring device 30. However, it will be understood to those of skill in art that the MMU 12 can
10 communicate to the lab system 28 and monitoring device 30 indirectly via the HIS 18, the caching mechanism 20, the medical device 14 or some other intermediary device or system. This real-time or near delivery time patient-specific information is useful in adapting patient therapy because it may not have been
15 available at the time the medication order was prescribed. As used herein, the term real-time denotes a response time with a latency of less than 3 seconds. The real-time digital communications between the MMU 12 and other interconnected devices and networks prevents errors in patient care before administration of
20 medications to the patient, especially in the critical seconds just prior to the start of medication delivery.

Delivery information input device 32 also communicates with the MMU 12 to assist in processing drug orders for delivery through the MMU 12. The delivery information input device 32 can be any
25 sort of data input means, including those adapted to read machine readable indicia such as barcode labels; for example a personal digital assistant (PDA) with a barcode scanner. Hereinafter the delivery information input device 32 will be referred to as input device 32. Alternatively, the machine readable indicia may be in
30 other known forms, such as radio frequency identification (RFID) tag, two-dimensional bar code, ID matrix, transmitted radio ID code, human biometric data such as fingerprints, etc. and the input device 32 adapted to "read" or recognize such indicia. The input

device 32 is shown as a separate device from the medical device 14; alternatively, the input device 32 communicates directly with the medical device 14 or may be integrated wholly or in part with the medical device.

5 With reference to FIG. 2, the medication management unit 12 includes a network interface 34 for connecting the MMU 12 to multiple components of a hospital environment 16, the medical device 14, and any other desired device or network. A processing unit 36 is included in MMU 12 and performs various operations
10 described in greater detail below. A display/input device 38 communicates with the processing unit 36 and allows the user to receive output from processing unit 36 and/or input information into the processing unit 36. Those of ordinary skill in the art will appreciate that display/input device 38 may be provided as
15 a separate display device and a separate input device.

 An electronic storage medium 40 communicates with the processing unit 36 and stores programming code and data necessary for the processing unit 36 to perform the functions of the MMU 12. More specifically, the storage medium 40 stores multiple programs
20 formed in accordance with the present invention for various functions of the MMU 12 including but not limited to the following programs: Maintain Drug Library 42; Download Drug Library 44; Process Drug Order 46; Maintain Expert Clinical Rules 48; Apply Expert Clinical Rules 50; Monitor Pumps 52; Monitor Lines 54;
25 Generate Reports 56; View Data 58; Configure the MMS 60; and Monitor the MMS 62. The Maintain Drug Library 42 program creates, updates, and deletes drug entries and establishes a current active drug library. The Download Drug Library 44 program updates medical devices 14 with the current drug library. The Process Drug Order
30 46 program processes the medication order for a patient, verifying that the point-of-care (POC) medication and delivery parameters match those ordered. The Maintain Expert Clinical Rules 48 program creates, updates, and deletes the rules that describe the

hospital's therapy and protocol regimens. The Apply Expert
Clinical Rules 50 program performs logic processing to ensure
safety and considers other infusions or medication orders, patient
demographics, and current patient conditions that include blood
5 chemistry values such as insulin/glucose, monitored data such as
pulse and respiration, and clinician assessments such as pain or
responsiveness. The Monitor Pumps 52 program acquires ongoing
updates of status, events, and alarms transmitted both real-time
and in batch mode, as well as tracking the location, current
10 assignment, and software versions such as the drug library version
residing on medical device 14. The Monitor Lines 54 program
acquires ongoing updates of status, events and alarms for each
channel or line for a medical device 14 that supports multiple drug
delivery channels or lines. The Generate Reports 56 program
15 provides a mechanism that allows the user to generate various
reports of the data held in the MMU storage medium 40. The View
Data 58 program provides a mechanism that supports various display
or view capabilities for users of the MMU 12. The Notifications
59 program provides a mechanism for scheduling and delivery of
20 events to external systems and users. The Configure the MMS 60
program provides a mechanism for system administrators to install
and configure the MMS 10. The Monitor the MMS 62 program enables
information technology operations staff capabilities to see the
current status of MMS 10 components and processing, and other
25 aspects of day-to-day operations such as system start up, shut
down, backup and restore.

With reference to FIG. 3, the various functional programs
42-62 of the MMU 12, each including separate features and rules,
are partitioned (at a higher level than shown in FIG. 2) and
30 logically organized into interrelated managing units of the MMU
12. As shown, the MMU 12 includes an asset manager 64, an alarm
manager 66, a drug library manager (such as, for example, HOSPIRA
MEDNET™) 68, a caregiver manager 70, a therapy manager 72, and/or

a clinical data manager 73. However, one of ordinary skill in the art will appreciate that additional or alternative hospital system managing units can be provided without departing from the present invention. Additionally, the MMU 12 includes a master adjudicator 5 74 between the separate interrelated hospital system managing units 64-73 of the MMU 12, to regulate the interaction between the separate management units.

Further, while the MMU 12 as described herein appears as a single device, there may be more than one MMU 12 operating 10 harmoniously and sharing the same database. For example the MMU 12 can consist of a collection of MMU specific applications running on distinct servers in order to avoid a single point of failure, address availability requirements, and handle a high volume of requests. In this example, each individual server portion of the 15 MMU 12 operates in conjunction with other server portions of the MMU 12 to redirect service requests to another server portion of the MMU 12. Additionally, the master adjudicator 74 assigns redirected service requests to another server portion of the MMU 12, prioritizing each request and also ensuring that each request 20 is processed.

With reference to FIGS. 2 and 3, the managing units 64-72 each include separate features and rules to govern their operation. For example the asset manager 64 governs the execution of the Monitor Pumps 52 and Monitor Lines 54 programs; the drug library manager 25 68 governs the execution of the Drug Library 42 and Download Drug Library 44 programs; the therapy manager 72 governs the execution of the Process Drug Order 46, Maintain Expert Clinical Rules 48, and Apply Expert Clinical Rules 50 programs; and the clinical data manager 73 governs the execution of the Generate Reports 56 and 30 View Data 58 programs. Other distribution of the functional MMU programs 42-62 among the hospital system managing units 64-73 can be made in accordance with the present invention.

With reference to FIG. 4, an electronic network 76 connects the MMU 12, medical device 14, HIS 18, and input device 32 for electronic communication. The electronic network 76 can be a completely wireless network, a completely hard wired network, or some combination thereof. The medical device 14 and input device 32 are located in a treatment location 77. As shown, the medical device 14 and input device 32 are equipped with antennas 78 and 80, respectively. The antennae 78 and 80 provide for wireless communication to the electronic network 76 via an antenna 82 of access node 84 connected to the electronic network 76.

15

In the context of the present invention, the term "medical device" includes without limitation a device that acts upon a cassette, reservoir, vial, syringe, or tubing to convey medication or fluid to or from a patient (for example, an enteral pump, infusion pump, a patient controlled analgesia (PCA) or pain management medication pump, or a suction pump), a monitor for monitoring patient vital signs or other parameters, or a diagnostic device.

For the purpose of exemplary illustration only, the medical device 14 of FIG. 4 is disclosed as a cassette type infusion pump. The pump style medical device 14 includes a user interface means 86, display 88, first channel 90, and first channel machine readable indicator 92. A first IV line 98 has a conventional cassette 99A (not shown) that is inserted into the first channel 90, and includes a medication bag 100 with a machine readable indicator 102. A second IV line 101 is connected to an input port of the cassette 99A, and includes a medication bag 106 with a machine readable indicator 108. A single output IV line 98 is

connected to an outlet port of the cassette 99A and connected to a patient 110 who has a machine readable indicator 112 on a wristband, ankle band, badge or similar article that includes patient-specific and or identifying information, including but not limited to patient ID, and demographics.

In an alternative embodiment illustrated by dashed lines in FIG. 4, the medical device 14 is a multi-channel pump having a first channel 90 with first channel machine readable indicator 92 and at least a second channel 94 with a second channel machine readable indicator 96. The line 101 from the medication bag 106 is eliminated and replaced by line 104 with a cassette 99B (not shown) inserted into the second channel 94 and an output line 104 extends from the cassette to the patient. The same type of cassette 99 (not shown) is inserted in the first channel 90.

15

Within a patient area network 113 (hereinafter, PAN 113), a caregiver 114 (if present) has a machine readable indicator 116 on a wristband, badge, or similar article and operates the input device 32. The input device 32 includes an input means 118 for reading the machine readable indicators 92, 96, 102, 108, 112, and 116. An input/output device 120 is included on the input device 32. The input/output device 120 allows the user to receive output from the input device 32 and/or input into the input device 32. Those of ordinary skill in the art will appreciate that display/input device 120 may be provided as a separate display device and a separate input device.

With reference to FIG. 4A, the pump style medical device 14 includes a network interface 122 for connecting the medical device 14 to the electronic network 76. The network interface 122 operates the antenna 78 for wireless connection to the electronic network

30

76. A processor 124 is included in the medical device 14 and performs various operations described in greater detail below. The input/output device 87 (display 88 and user interface means 86) allows the user to receive output from the medical device 14 and/or
5 input information into the medical device 14. Those of ordinary skill in the art will appreciate that input/output device 87 may be provided as a separate display device and a separate input device (as shown in FIG. 4, display 88 and user interface means 86) or combined into a touch screen for both input and output. A memory
10 126 communicates with the processor 124 and stores code and data necessary for the processor 124 to perform the functions of the medical device 14. More specifically, the memory 126 stores multiple programs formed in accordance with the present invention for various functions of the medical device 14 as is relates to
15 the MMU 12 including the following programs: Process Drug Order 128, Monitor Pump 130, and Download Drug Library 132.

With reference to FIGS. 5 and 5A, the functional steps of the Process Drug Order 46 and Apply Expert Clinical Rules 50 programs of the MMU 12 and the Process Drug Order 128 program of the medical
20 device 14 are shown in operation with the HIS 18, the caching mechanism 20 and the input device 32.

With reference to FIGS. 4, 5 and 7, to begin to process a drug order, the input device 32 displays a default screen (not shown) on input/output device 120 which the caregiver uses to access
25 password screen 133B (FIG. 7). The password screen 133B prompts the caregiver 114 to enter caregiver specific identification information (caregiver ID). The caregiver 114 enters caregiver ID such as a username and/or password or pass code, or the machine readable indicator 116. The input device 32 enters this caregiver
30 ID at step 134.

With reference to FIGS. 4, 5 and 8-9, the input device 32 then displays a scan patient screen 135A (FIG. 8) which prompts the caregiver 114 to enter patient-specific identification

information (patient ID). The caregiver 114 enters the patient ID such as the machine readable indicator 112. The input device 32 enters this patient ID and at step 136, and displays a confirmed scan patient screen 135B (FIG. 9) indicating that the patient ID
5 was successfully entered into the input device 32.

With reference to FIG. 5, the input device 32 then transmits the patient ID to the caching mechanism 20 at step 138. The caching mechanism 20 transmits the patient ID to the HIS 18 at step 140. The HIS 18 retrieves a patient-specific task list and
10 patient-specific order information based on the patient ID and transmits both to the caching mechanism 20 at step 142. The order information includes but is not limited to an order detail for a medication order, patient demographic information, and other hospital information systems data such as lab results data. The
15 caching mechanism 20 transmits the task list to the input device 32 at step 143.

With reference to FIGS. 4, 5 and 10-11, the input device 32 then displays a task list screen 143A (FIG. 10) which prompts the caregiver 114 to access the task list on the input device 32. The
20 input device 32 prompts the caregiver 114 to enter drug specific identification information or drug ID from the container 100. The caregiver 114 enters a drug ID such as the drug container specific machine-readable indicator 102. The input device 32 enters this drug ID at step 144. The input device 32 processes the drug ID
25 to select the correct task from the task list, then displays a task screen 143B (FIG. 11), and transmits a request (dispense ID) based upon the entered drug ID to the caching mechanism 20 requesting an order ID at step 146. The caching mechanism 20 transmits a request (dispense ID) to the HIS 18 requesting an order ID at step
30 148. The order ID is simply a unique identifier for the medication order, lab test, or other task or procedure to be performed. The order ID can be a number, alphanumeric code, etc. The HIS 18 transmits an order ID to the caching mechanism 20 at step 150. The

caching mechanism 20 forwards this order ID to the input device 32 at step 152.

The input device 32 matches the order ID with an item in the task list to ensure a Five Rights check at step 154. The "Five Rights" in this section refer to the "Five Rights of Medical Administration". Alternatively, the Five Rights check is done at the MMU 12 once the MMU 12 receives the order information as well as the patient, dispense, and channel IDs. A description of these "rights" follows. Right patient, is the drug being administered to the correct patient. Right drug, is the correct drug being administered to the patient. Right dose, is the correct dosage of the drug being administered to the patient. Right time, is the drug being administered to the patient at the correct time. Right route, is the drug being administered into the patient by the correct route, in this case intravenously through an IV. Once the order ID and item in the task list are reconciled, the input device 32 sends an order confirmed message to the caching mechanism 20 at step 156. In response, the caching mechanism 20 sends the order detail (medication order prescribed for a patient) of the order information to the input device 32 at step 158.

With reference to FIGS. 4, 5, 11, the input device 32 then displays a scan device/channel screen 143B (FIG. 11) which prompts the caregiver 114 to enter channel identification information (channel ID) regarding which channels of the medical device 14 are to be used for the delivery. The caregiver 114 enters a channel ID such as the machine readable indicator 92. The input device 32 enters this channel ID at step 160, and displays a confirmed scan device screen 159B (FIG. 11B) indicating that the channel ID was successfully entered into the input device 32. It will be appreciated that the channel ID indicator 92 can include information also identifying the medical device 14 (medical device ID). Alternatively, it is contemplated that an additional machine

readable indicator (not shown) may be provided for the medical device itself separate from the channel ID machine readable indicator 92. If the medical device 14 has a single channel, a single indicator will clearly suffice. If the medical device 14 is a multi-channel device, the channel indicators can also carry information that uniquely identifies the device the channel is on. At any rate, it should be apparent that a second entry of a combined device/channel ID may be redundant and could be eliminated. The input device 32 then transmits the delivery information including caregiver ID, patient ID, medical device ID and/or channel ID, drug ID, and order ID to the MMU 12 at step 162.

Alternatively, the three entered IDs (patient ID, drug ID, and channel ID) are entered in a different specific order or without regard to order. Where the IDs are entered without regard to order, the IDs would be maintained within the MMS 10 and/or caching mechanism 20 as they are entered, so that the IDs can be recalled when needed to complete the medication delivery workflow.

With reference to FIGS. 4, 5 and 12-14, when the medical device 14 is turned on at step 164 the medical device 14 displays a start up screen 163A (FIG. 12) on the display 88 of the medical device 14. The medical device 14 then displays a clinical care area selection screen 163B (FIG. 13) which prompts the caregiver 114 to select the clinical care area (CCA) that the medical device 14 is being assigned to. The caregiver 114 enters or selects the CCA at step 166 using scroll and select/enter keys on the user interface means 86. The medical device 14 then displays a channel selection screen 163C (FIG. 14) that prompts the caregiver 114 to select the desired channel (90 or 94) or bag source (100 or 106) using soft keys 163D-G, more particularly 163E, 163F respectively. The medical device 14 enters this channel ID at step 168. The CCA information is transmitted to the MMU 12 by the medical device 14 at step 170. Alternatively, where the CCA is known and available

to the HIS 18, the CCA can be automatically generated for the medical device 14, and sent from the HIS 18 to the MMU 12

5 With reference to FIGS. 2 and 5, the MMU 12 executes the Process Drug Order 46 program and sends an active order request based on the delivery information from the input device 32 to the caching mechanism 20 at step 172. The caching mechanism 20 responds by sending the corresponding patient-specific order information to the MMU 12 at step 174. The caching mechanism 20 may send to the MMU 12 order information regarding all information associated with the particular patient, including but not limited to order detail for a medication order, patient demographic information, and other hospital information systems data such as lab results data or monitoring data.

15 Referring to FIG. 5A, the MMU 12 then executes the Apply Expert Clinical Rules 50 program to process the CCA information from the medical device 14 and the delivery information from the input device 32, at step 178. The Apply Expert Clinical Rules 50 program compares the delivery information with an expert rule set to determines expert rule set violations based on correlating treatment based protocols, disease based protocols, drug-drug incompatibility, patient data (age, height, weight, etc), vital signs, fluid in/out, blood chemistry, and status assessments (such as pain and cognition). As used herein, the term drug-drug incompatibility includes but is not limited to determinations of drug-drug interactions and/or drug-drug compatibility between two or more medication orders for concurrent delivery (to the same patient at the same time) and/or in a time sequence for the same patient (i.e. through a common output IV line). In cases where the Apply Expert Clinical Rules 50 program finds an expert rule set violation (such as a drug-drug incompatibility), the Apply Expert Clinical Rules 50 program generates an alarm and/or requires a time delay in execution for one of the two separate delivery information submissions.

The Apply Expert Clinical Rules 50 program also establishes a patient-specific rule algorithm. The patient-specific rule algorithm is primarily based on the expert rule set described above applied to a specific order detail. The patient-specific rule algorithm generates a patient-specific rule set (discussed in greater detail below, at the description of FIG. 20) according to patient-specific order information including but not limited to patient demographic information, and other hospital information systems data such as lab results data or monitoring data. The patient-specific rule set includes hard and soft dosage limits for each drug being administered. The patient-specific rule set is included in the delivery programming code sent to the medical device 14 at step 182.

Any alarms generated by the Process Drug Order 46 or Apply Expert Clinical Rules 50 programs are delivered to the medical device 14, HIS 18, and/or input device 32, computer 254 (FIG. 17), at step 180. Computer 254 can be located in a remote nurse station or a biomedical technician area. If no alarms are generated, the MMU 12 transmits a delivery program code to the medical device 14, at step 182. The delivery program code sent from MMU 12 to the medical device 14 includes a patient-specific rule set generated from any rule based adjudication at the MMU 12, including hard and soft dosage limits for each drug being administered. The medical device 14 caches the patient-specific rule set contained in the delivery program code. Alternatively, the MMU 12 can generate an alarm at the medical device 14 or another location and not download the delivery program code.

With reference to FIGS. 5, 5A and 15, the medical device 14 displays an order dose confirmation screen 187A (FIG. 15) which prompts the caregiver 114 to confirm the delivery data. As shown, the caregiver 114 selects the "yes" soft key 187B on the medical device 14 to confirm the delivery data and the "no" soft key 187C to cancel the delivery. The caregiver 114 confirms the delivery

data at the medical device 14 at step 188. Once the caregiver 114 confirms the delivery data at the medical device 14, the medical device 14 then executes the delivery program code and begins infusion at step 198. As part of the program code, the infusion
5 may be delayed for a predetermined period of time.

Alternatively, confirmation from the caregiver can be made at the input device 32 or required from both the input device 32 and medical device 14. As shown, a redundant additional confirmation performed by the caregiver 114 at the input device
10 32 after the medical device has received the delivery program code. Specifically, the medical device 14 transmits a canonical representation of the delivery programming code data (delivery data) to the MMU 12 detailing the infusion to be performed by the medical device 14, at step 184. The MMU 12 then transmits the same
15 delivery data that was originally transmitted to the medical device 14 to the input device 32 at step 186. Alternatively, the delivery data can be passed to another remote computer (254 in FIG. 17), including but not limited to a computer at a nurse station, for confirmation.

20 With reference to FIGS. 5A and 16, the input device 32 displays an order dose confirmation screen 191A (FIG. 16) that prompts the caregiver 114 to confirm the delivery data. As shown, the caregiver 114 selects the complete button 191B on the input device 32 to confirm the delivery data and the cancel button 191C to cancel the
25 delivery. The caregiver 114 confirms the delivery data at the input device 32 at step 192, and the confirmation is used for documentation by the HIS 18, or other systems within the hospital environment 16.

30 With reference to FIGS. 4A and 5A, during infusion, the medical device 14 executes its Process Drug Order 128 program. The Process Drug Order 128 program sends infusion change events and infusion time events in a delivery event log message 200 to the MMU 12. The MMU 12 forwards these delivery event log messages to

the input device 32 or other system within the hospital environment 16 at step 202. The caregiver 114 acknowledges these delivery event log messages on the input device 32, at step 204. The input device 32 then sends an acknowledged delivery event log message 206 to
5 the caching mechanism 20, detailing the delivery event, the caregiver ID, and the caregiver acknowledgment. The caching mechanism passes the delivery event message to the HIS 18 at step 208.

Once infusion has ended at step 210, the medical device 14
10 sends an infusion ended message 212 to the MMU 12. The MMU 12 then aggregates all the delivery event messages 200 sent during the infusion at step 214. The MMU 12 sends the aggregated delivery events 216 to the input device 32. The caregiver 114 enters a completed task 218 on the input device 32, and sends the aggregated
15 delivery events to the caching mechanism at step 220, which in turn passes the delivery event log messages to the HIS 18 at step 222.

With reference to FIG. 6 and 6A, an alternative flow chart of the MMS 10 processing a drug order through the MMU 12 and medical device 14 is shown. With reference to FIGS. 4, 6 and 6A, the
20 caregiver 114 enters the patient ID, which then is stored in the caching mechanism 20. The caching mechanism 20 transmits the patient ID to the HIS 18 and retrieves a patient-specific task list for that patient ID. The caregiver 114 then enters the drug ID from the indicator 102 of the container 100 that may be translated
25 into a dispense ID, which subsequently is stored in the caching mechanism 20. The caching mechanism 20 transmits the drug ID or dispense ID to the HIS 18, and retrieves a patient-specific order information, including but not limited to an order detail, patient demographic information, and other hospital information systems
30 data such as lab results data. The caregiver 114 then enters the channel ID, which is stored in the MMU 12.

Alternatively, the three entered IDs (patient ID, drug ID, and channel ID) are entered in a different specific order or without

regard to order. Where the IDs are entered without regard to order, the IDs would be maintained within the MMS 10 and or caching mechanism 20 as they are entered, so that the IDs can be recalled when needed to complete the medication delivery workflow.

5 Upon receipt of the channel ID, the MMU 12 requests the order information (order detail, patient demographic information, and other hospital information systems data) and retrieves it from the caching mechanism 20. This order information is stored within the MMU 12 and utilized for subsequent rule processing such as "Five
10 Rights" checking and other rule set algorithms. The Process Drug Order 46 program processes the delivery information from the input device 32 (including caregiver ID, patient ID, medical device/channel ID, and drug ID or dispense ID) and compares this delivery information with the corresponding order detail portion
15 of the order information from the caching mechanism 20, at step 176. Where the order information and delivery information do not match, the device program code downloaded to the medical device 14 at step 182 includes an alarm message indicating that the five rights check was not met. Additionally, the alarm message can
20 include a description of which particular right(s) did not match. Alternatively, the MMU 12 can generate an alarm at the medical device 14 or another location and not download the program code for delivery of the medication order.

 Alternatively, the MMU 12 can accept a Five Rights check from
25 another device, such as a HIS 18 or an input device 32. This check can be accepted either by a direct data element being sent to the MMU 12 indicating a Five Rights check, or implied through the workflow provided by the HIS 18 or input device 32.

 The other steps shown in FIGS. 6 and 6A are similar to
30 corresponding steps in FIGS. 5 and 5A. Accordingly, these steps will not be described with any further detail here. One skilled in the art will appreciate that the vertical lines in FIGS. 5, 5A, 6, 6A do not necessarily represent a firm time sequence. Some steps

may be done sooner than shown (for example, turning on the medical device) or later than shown (for example, aggregate delivery events).

With reference to FIGS. 2, 4A, 5, 5A and 20, in one embodiment, the Process Drug Order 46 program of the MMU 12 and the corresponding Process Drug Order 128 program of the medical device 14 permit the MMU 12 to remotely control the medical device 14 to modulate performance of a medication order. For example, the MMU 12 can remotely start and/or stop the medical device 14. Once the delivery program code is received by the medical device 14 at step 184, the Process Drug Order 46 of MMU 12 remotely starts execution of the infusion by sending a start order 224, which triggers the medical device to begin infusion at step 225. Likewise, when the infusion is to end at step 228, the Process Drug Order 46 program can remotely stop the infusion by sending a stop order 226 to the medical device 14, which triggers the medical device to end infusion at step 228. In most cases, the MMU 12 requires the caregiver to confirm the start or stop of execution. This confirmation by the caregiver may take place at the input device 32 or the medical device 14. However, one skilled in the art will appreciate that there may be emergency situations where an order could and should be stopped without human confirmation.

With reference to FIGS. 2, 5, 5A and 20, in one embodiment, the Apply Expert Clinical Rules 50 program of the MMU 12 permits the MMU 12 to adjust a previously fixed patient-specific rule set based on new patient conditions and/or recent lab results, and notify the caregiver that adjustment is recommended by the MMU 12. As discussed above in regard to FIGS. 5 and 5A, the Apply Expert Clinical Rules 50 program establishes a patient-specific rule algorithm. The patient-specific rule algorithm is primarily based on the expert rule set described above applied to a specific order detail. The patient-specific rule algorithm generates a patient-specific rule set according to patient-specific order

information including but not limited to patient demographic information, and other hospital information systems data such as lab results data or monitoring data. The patient-specific rule set includes hard and soft dosage limits for each drug being administered, and these hard and soft dosage limits likewise are adjusted when the patient-specific rule set is adjusted.

For example, during or even before an infusion, the MMU 12 may receive updated patient information that can impact an ongoing or impending infusion. As shown in FIG. 20, the lab 28 sends updated patient-specific lab results to the MMU 12 at step 230. Likewise, the monitoring device 30 sends updated patient-specific monitoring information to the MMU 12 at step 232. Additionally the MMU 12 queries the HIS 18 for patient information including: Patient Allergies, Patient Diet, and Current Patient Medical Orders. Patient Allergies are used to check for drug-allergy interactions, at step 231. Patient Diet information is used to check for drug-food interactions. Current Patient Medical Orders are used to check for drug-drug incompatibility. Like the patient information gathered from the Lab 28 and the monitoring device 30, the patient information from HIS 18 is also used by the MMU 12 to update the delivery program order.

As shown in FIGS. 5 and 5A, in cases where the MMU 12 is processing a drug order for the medical device 14, the MMU 12 executes the Apply Expert Clinical Rules 50 program at step 178 to establish a patient-specific rule set based on updated patient information received or retrieved from the lab 28, the monitoring device 30, and or the HIS 18 (FIG. 20). This real-time or near delivery time updated patient-specific information is useful in adapting patient therapy because it may not have been available at the time the medication order was prescribed.

As shown in FIG. 20, The MMU 12 also modifies the existing patient-specific rule set in the existing delivery program code at step 234 based on updated patient information received or

retrieved from the lab 28, the monitoring device 30, and or the HIS 18. The MMU 12 optionally alerts the input device 32 and/or the medical device 14 of changes to the patient-specific rule set. MMU 12 also optionally generates an alert message if the delivery programming code violates any parameter of the adjusted hard and soft dosage limits. Additionally, the MMU 12 optionally requests confirmation by the caregiver prior to instituting the new patient-specific rule set. The MMU 12 then delivers an updated delivery program code to the medical device 14 for execution at step 236. The medical device 14 then executes this updated delivery program code as step 238. The updated delivery program code sent from MMU 12 to the medical device 14 includes an updated patient-specific rule set generated from any rule based adjudication at the MMU 12, including hard and soft dosage limits for each drug being administered. The medical device 14 caches the updated patient-specific rule set contained in the delivery program code. Additionally, the MMU 12 collects, stores, and reports the changes to the patient-specific rule set, changes to the hard and soft limits, as well as the history of each medication order.

An example of how the MMU 12 updates the patient-specific rule set based on lab results or monitored patient conditions is provided below with respect to the drug Heparin, which is a blood thinner. The medication order entered by the physician might be:

Give heparin 1000 units/hour. If the activated partial thromboplastin time (APTT) > 75 seconds then decrease heparin to 800 units/hour.

If the medical device 14 has started the infusion at 1000 units/hour and the MMU 12 subsequently receives an updated APTT value of 100 seconds from the lab 28 on the patient, the MMU automatically commands the medical device 14 to decrease the infusion rate to 800 units/hour. Alternatively, when the MMU is notified by lab 28, an alarm will be generated to the PDA 32 and/or the medical device

14 to notify the caregiver of the need to change the infusion rate. The MMU can preprogram the pump for the caregiver to confirm the recommended change.

In further embodiment or method, the hospital may establish expert rules or clinical decision support rules in the MMU 12 that will be applied automatically to incoming prescribed orders, such that the physician may simply write an order for 1000 or 1200 units/hour. The hospital best practices formulated by the appropriate medical personnel are established in the MMU 12 and can dictate that all heparin orders are to be conditioned on the APTT lab result and such an expert rule or clinical decision support rule will be used by the MMU 12 to govern the operation of the medical device 14. The MMU 12 also can check the most recent patient data and provide an alarm and/or temporarily modify the delivery order prior to the start of the infusion if the prescribed order is no longer appropriate given the expert rules or clinical decision support rules and the latest lab results or monitored patient conditions. It should be apparent that this kind of intervention by the MMU 12 during or immediately prior to an infusion is particularly useful in preventing adverse consequences for the patient and the hospital.

Where the MMU 12 adjusts a previously fixed patient-specific rule set based on new patient conditions and/or recent lab results, as described above, the MMU 12 provides dynamic advanced reports of real-time rule set changes in relation to changes in the condition of the patient (an "information cascade"). These advanced reports detail the history of both hard and soft upper and lower limits, as well as the activation of overrides and confirmations based on these limits for each medical device 14 managed by the MMU 12.

With reference to FIGS. 2, 4A and 19, the Download Drug Library 44 program in the MMU 12 and the corresponding Download Drug Library 132 program in the medical device 14 operate to send a drug library to the medical device 14 from the MMU 12. The drug library includes drug and device related information, which may include but is not limited to drug name, drug class, drug concentration, drug amount, drug units, diluent amount, diluent units, dosing units, delivery dose or rate, medication parameters or limits, device/infuser settings and/or modes, CCA designations and constraints, and library version. The Download Drug Library 132 program is designed to cache in a cache memory 126A a new database or drug library at medical device 14 while maintaining an existing older version database or drug library in its primary memory 126. This allows the medical device to operate or deliver an infusion based on the older version of the drug library without disruption until a trigger event occurs, at which time the new drug library replaces the older version in the primary memory 126. It is contemplated that the medical device 14 can be equipped with an initial drug library at the factory.

The Download Drug Library 132 program in the medical device 14 begins at a block 240 and at block 242 a determination is made that a drug library update needed event has occurred. For instance the drug library update needed event could be a completed infusion, a stopped infusion, elapsed time, a specific date and time, creation of the new drug library, the medical device 14 being or entering into a particular configurable mode such as stop, "sleep" or "wakeup", connection of the medical device 14 to an access node 84 in a new CCA, a download of a new or modified drug library to the medication management unit, or a determination that the existing drug library at the medical device needs updating. The configurable mode could be any number of device modes including

a power-on sleeping mode and a power-off mode. The determination that a drug library update needed event has occurred can be made by (at) the MMU 12, the medical device 14 or by a combination of the two.

5 Based on the specific drug library update needed event, the Download Drug Library 132 proceeds to block 244 where it retrieves or receives a new drug library. Once retrieved or received, the Download Drug Library 132 proceeds to block 246 where it stores the new drug library in the cache memory 126A of the medical device
10 14. While a medical device 14 is operating on a patient or in an otherwise nonconfigurable mode, information such as a new drug library or database is stored in a cache memory 126A of the medical device 14 as the information is received from a wired or wireless link through the network interface 122. The Download Drug Library
15 132 proceeds to block 248 where it determines if a specific trigger event has occurred. For instance, the trigger event could be a completed infusion, a stopped infusion, a determination that the device is in a configurable mode, elapsed time, a specific date and time, creation of the new drug library, a download of a new
20 or modified drug library to the medication management unit, and a determination that the existing drug library at the medical device needs updating. The configurable mode could be any number of device modes including a power-on sleeping mode and a power-off mode. The determination that a trigger event has occurred can be
25 made by (at) the MMU 12, the medical device 14 or by a combination of the two.

The Download Drug Library 132 then proceeds to block 250 where it deletes the existing drug library in primary memory 126 and installs the new drug library, and the new drug library from cache
30 memory 126A will replace the older information in the memory 126 of the medical device 14. The Download Drug Library 132 process is then complete and ends in block 252.

Additional related features of the Download Drug Library 44 program in the MMU 12 and the corresponding Download Drug Library 132 program include recording the history of the download, verify the correct download, notification to the caregiver of a change of library, and a preliminary note on the medical device 14 display stating that the drug library will be changed after any current infusion (i.e., before the next infusion).

Additionally, partial updates of the drug database within the medical device 14 are also made possible by the present invention. The MMU 12 is supplied with a drug database that allows a user to update a single data item (row, column, or cell) in the database without re-writing the entire database. This provides faster processing and downloading times when modifying the drug database.

Further, the Download Drug Library 44 program in the MMU 12 is designed to modify a medication library from the HIS 18 in such a way that only a single configuration of a single drug library is necessary to provide download information to multiple separate and different medical devices 14 where each device has unique parameters (different models, processors, computer architecture, software, binary format, or manufacturers, for example). In this embodiment, the configured drug library is designed so that only a subset of the configured drug library is specific for each unique type of medical device 14, and only the specific information is selected for transfer to each medical device 14. Additionally, pre-validation of the configured drug library is done through use of a rule set editor prior to sending from the MMU 12 to the medical device 14, and post-validation occurs where the medical device 14 confirms receipt of an acceptable drug library back to the MMU 12.

With reference to FIGS. 2, 3, and 4A, the Monitor Pump 44 program in the MMU 12 and the corresponding Monitor Pump 130 program in the medical device 14 operate to map the approximate or general physical location of each medical device 14 within the hospital environment and to enable a user to trigger a locator alarm to locate a particular medical device 14. Additionally, the programming enabling the medical device locator would be located in an asset manager 64 portion of the MMU 12.

With reference to FIG. 17, the MMU 12 communicates with one or more (more preferably a plurality of) medical devices 14A, 14B, and 14C through the electronic network 76. The medical device or devices 14A, 14B, and 14C connect to the electronic network 76 through one or more (more preferably a plurality of) access nodes 84A, 84B, and 84C distributed in one or more (more preferably a plurality of) CCAs 253A and 253B. More than one medical device 14 can operate from an individual access node 84 and be associated with a particular patient. Typically, there is one access node per room (101, 103, and 301), but it also is possible to have more than one access node per room and more than one room or CCA per access node. Additionally, as discussed above with regard to FIG. 4, the connection between the medical devices 14A, 14B, and 14C and the access nodes 84A, 84B, and 84C can be wireless. A user access device such as a computer system 254 is remotely located from the MMU 12 and the medical device 14 and communicates with the MMU 12 to permit a user 256 to activate the Monitor Pump 44 program in the MMU 12 and remotely activate the corresponding Monitor Pump 130 program in the medical device 14. The computer 254 can be located in a variety of locations, including but not limited to a nurse station or a biomedical technician area.

With reference to FIG. 18, the functional steps of the Monitor Pump 52 program in the MMU 12 and the corresponding Monitor Pump 130 program in the medical device 14A are shown in operation with the computer 254. To begin to request a physical location for a

medical device 14, the user 256 (not shown) enters a query for the location of a medical device 14A. The computer 254 sends a request device location 258 message to the MMU 12. The MMU 12 in turn sends a request last used access node 260 message to the medical device 5 14A. It is also contemplated that the Monitor Pump Program 130 can be operated with the input device 32.

The medical device 14A determines the last access node 84A-84C used to connect with the electronic network 76 at step 262. A report of the last used access node 264 is sent from the medical device 10 14 to the MMU 12. The MMU 12 processes the report of the last used access node 264 to determine the general physical location of the device at step 266. Once the physical location of the medical device 14A is determined by the MMU 12, a report physical location 268 message is sent from the MMU 12 to the computer 254. 15 Additionally, the MMU 12 tracks "change of infuser access node" events, when a medical device 14 begins to communicate through a different network access node 84. The MMU 12 communicates the physical locations of medical devices 14 to the HIS 18.

If the user 256 requires additional assistance in locating 20 the particular medical device 14A, the user 256 can instruct the computer 254 to send a request audio location alarm 270 message to the MMU 12. The MMU 12 in turn sends an order audio locator alarm 272 message to the medical device 14A. The medical device 14A then activates an audio alarm at step 274 to assist the user 25 256 in locating the medical device 14A. The audio alarm activation can be delayed by a predetermined time to allow the user time to travel to the area of the last used access node. The audio alarm feature is useful in allowing the user to more precisely pinpoint the location of the medical device 14. The audio alarm feature 30 is particularly useful if the medical device 14 is very close to other medical devices or has been moved to a storage closet or other location where it is not readily apparent visually.

Alternatively, the functional steps of the Monitor Pump 44 program in the MMU 12 and the corresponding the Monitor Pump 130 program shown in FIG. 18 can be performed as a series of "push" steps instead of a series of "pull" steps (as shown in FIG. 18).
5 In a "push" embodiment the medical device 14A periodically determines the last used access node and periodically reports the last used access node to the MMU 12 as a "here I am" signal. Likewise, the MMU 12 periodically determines the physical location of the medical device 14A based on the last access node 84A used
10 by the medical device 14, and periodically reports the physical location of the medical device 14A to the user access device 254. Alternatively, the MMU 12 programming allows it to determine which of access nodes 84 was the last access node used by the device 14 (step 259 indicated by a dashed line) and the MMU can report the
15 general physical location of the medical device 14 to the computer 254 without requesting a report from the medical device 14.

In one embodiment described above, the association between medical devices 14, patient 110, drug 100, and caregiver 114 (if present), is accomplished by swiping machine readable indicators
20 on each of these elements of the PAN 113 (See FIG. 4). This association is made in software residing the MMU 12. Alternatively, the association is made in software residing in the medical device 14. With reference to FIG. 21, in another embodiment, the association between medical devices 14A, patient 110, drug 100,
5 and caregiver 114, is accomplished by "auto-association". Auto-association is desirable in situations where the patient's wrist is not readily accessible (e.g. during surgery, or a neonate in an incubator).

In the auto-association embodiment, the MMU 12 and medical
0 device 14A are designed to establish the patient as the focus of the MMS 10. In this embodiment, the patient 110 is equipped with a machine readable indicator 112A on a wristband, toe tag, badge or similar article. The machine readable indicator 112A contains

transmitter/receiver chip 278, capable of short-range transmission. The transmitter/receiver chip 278 is a low power RF Bluetooth™, a dedicated RF transmitter working with a PIC processor, or any other suitable transmitter/receiver. The
5 patient 110 is fitted with the machine readable indicator 112A at the time of admission. The unique ID number of the particular machine readable indicator 112A is stored with an electronic patient record at the HIS 18 and hence MMU 12. The MMU 12 is thereby notified of the particular machine readable indicator 112A
10 associated with the particular patient 110. Additionally, it is contemplated, that any other machine readable indicator used with the present invention, may also contains transmitter/receiver chip capable of short-range transmission. For instance, the caregiver machine readable indicator 116 and medication machine readable
15 indicator 102 may also be equipped with a transmitter/receiver chip.

Each medical device 14A is also equipped with a transmitter/receiver chip 280A. Upon placing a medical device 14 at the patient 110 bedside, within the PAN 113, the
20 transmitter/receiver chip 280A of the medical device 14A "pings" by sending out a "request for patient" command to any transmitter/receiver chip 278 that is in the area. Each transmitter/receiver chip 278, which is in the area (usually about 0-10 meters, more preferably about 0-3 meters), replies to the ping
25 by sending the transmitter/receiver chip 280 of the medical device 14A the unique ID number of the particular machine readable indicator 112A. Upon receipt of a signal from the machine readable indicator 112A, the medical device 14A places the ID number of the machine readable indicator 112A in memory 126 (See FIG. 4A) and
30 also transmits the same to the MMU 12. Alternatively, the unique ID of the indicator 112A can be transmitted directly to an MMU 12 located in the area or indirectly through another route, including but not limited to the medical device 14. With reference to FIGS.

5, 5A, 6 and 6A, the MMU 12 Process Drug Order 46 program then checks the patient ID entered at step 162 and the device/channel ID entered at step 160 to ensure the correct match. The MMU 12 associates the medical device 14A only to the identified patient based on the patient ID number sent to the MMU 12. Dissociating the medical device 14A from the patient is done based on a command from a user, or other method.

It should be noted, that the machine readable indicator 112A (as well as the machine readable indicator 112), can include equipment for monitoring the wearer, and transmitting this monitored information to the medical device 14 and/or the MMU 12.

With reference back to FIG. 21, placing a second medical device 14B within the PAN 113 leads to a repeat of the same process. In this case the first medical device 14A "pings" any transmitter/receiver chip that is in the area. The transmitter/receiver chip 280B of the second medical device 14B replies to the ping by sending the transmitter/receiver chip 280A of the first medical device 14A the unique ID number of the particular machine readable indicator 92B. Upon receipt of a signal from the machine readable indicator 92B, the first medical device 14A places the ID number of the machine readable indicator 92B in memory 126 (See FIG. 4A) and also transmits the same to the MMU 12. The patient ID number is then sent from the first medical device 14A to the second medical device 14B.

An additional or alternative validation of the "right patient" can be accomplished by caregiver visual confirmation of the patient following the auto-association procedure described above in relation to FIG. 21, and is also applicable to the five-rights procedures described above with respect to FIGS. 5, 5A, 6 and 6A. In this process, the patient 110 is photographed with a digital camera (not shown) at the time of admission and the digital photo is stored with the electronic patient record at the HIS 18. When a medication order is requested for a specific patient,

the digital photo is sent to the MMU 12 and upon completion of the association process, the digital photo is transmitted from MMU 12 to the medical device 14 at the patient 110 bedside. The image of the patient 110 is sent to the display 88 of the medical device 5 14, which is preferably a high resolution touch screen at least approximately 12 cm by 12 cm. The image of the patient 110 is then placed on the display 88 and the caregiver 114 is prompted by the display 88 to "Confirm Patient". The caregiver 114 confirms a patient match upon visual comparison of the patient 110 with the 10 image on the display 88.

Alternatively, the digital photo information alternatively can be stored on the indicator 112 or 112A and transmitted by the transmitter/receiver 178 thereof. The digital photo is transmitted to the medical device 14 when the medical device 14 15 has been associated with the patient 110.

With reference to FIG. 22, another portion of the functional steps of the Monitor Pump 52 program in the MMU 12 and the corresponding Monitor Pump 130 program in the medical device 14 are shown in operation with the computer 254. To begin to request 20 a specific evaluation for the operation of a specific medical device 14, or group of medical devices 14, the user 256 (not shown) enters a query for the operation evaluation of a medical device 14. The computer 254 sends an operation evaluation request 282 message to the MMU 12. The MMU 12 in turn sends a request operation 25 data 284 message to the medical device 14. The medical device 14 sends a report operation data 286 message (including but not limited to event logs, settings, CCA and utilization information) back to the MMU 12 at step 286. The MMU 12 processes the report operation data 286 to generate an operational evaluation at step 30 288. Once the operational evaluation of the medical device 14 is determined by the MMU 12, a report operational evaluation 290 message is sent from the MMU 12 to the computer 254.

Alternatively, the functional steps of the Monitor Pump 44 program in the MMU 12 and the corresponding the Monitor Pump 130 program shown in FIG. 22 can be performed as a series of "push" steps instead of a series of "pull" steps (as shown in FIG. 22).
5 In a "push" embodiment the medical device 14 periodically reports the operation data to the MMU 12. Likewise, the MMU 12 periodically processes the report operation data 286 to generate an operational evaluation at step 288, and periodically reports the operational evaluation of the medical device 14 to the user access device 254
10 at step 290.

The automated operational evaluation described above, provides a method of evaluating medical device 14 while in operation; thus eliminating the need to postpone evaluation until the medical device 14 is taken out of use. The real-time data
15 collection capabilities of the MMU 12 and Monitor Pump 52 program allow the MMU 12 to determine medical device 14 performance including advanced statistical operations in order to provide quality control data sorting algorithms and aggregation of data and control for a PAN 113 (not shown). For example, consider a
20 MMS 10 where multiple discreet single or multiple channel medical devices 14 (or channels) are connected to a single patient 110 (not shown). The Monitor Pump 52 program collects all medical device 14 information in real-time and then compares medical device 14 statistics to one another. Likewise, infuser channels can be
25 compared to other infuser channels within the same multiple channel medical device or in other devices. Monitor Pump 52 program therefore can detect a "bad actor" if any one of the medical devices 14 or channels is operating at a level statistically lower or higher than the other medical devices 14 or channels. This statistical
30 determination can be made by collecting and comparing the mean and standard deviation of appropriate data elements. This statistical determination can be performed selectably on any of the data that is routinely collected by the medical device 14 event log and any

that may be acquired from the instrumentation of the medical device 14. For example, statistical determinations could be performed based on air alarm events, occlusion alarm events, battery usage data, screen response time, etc. MMU 12 then sends the operational evaluation message (including any relevant quality control alert) to an appropriate area (including but not limited to the computer 254) in a form that is appropriate for the particular alert (usually including but not limited to graphically or audibly). Additionally, operational evaluation message (including any relevant quality control alert) can be sent to any number of individuals including but not limited to the caregiver, a biomedical engineer, caregiver supervisor, and a doctor.

With reference to FIG. 17, the medical device 14 is designed as a multi-processor, where many features are not hardwired, but instead can be uniquely configured based on rules, the location of the medical device 14, etc. For example, the medical device 14 is designed to allow a customized display based on the Clinical Care Area (CCA) 253A or 253B the medical device 14 is located in and/or assigned too. An example of this would be the MMU 12 instructing the medical device 14 to have a display of a particular color or warning tones/volumes based on the location of the medical device 14 in the hospital, time of day, caregiver information, patient information, or the type of medication being supplied. For example, the patient information could include a patient diagnosis and/or a disease state. For example, alarm volumes and display brightness can be set lower in the pediatric clinical care area or at night than in the emergency room clinical care area or during the daytime.

With reference to FIG. 4, similarly, the medical device 14 is designed to allow a customized display based on user information supplied to the medical device 14 (from the MMU 12 for example). Such user based customized display could include changes in language preference, limited access depending on the security

level of the caregiver 114, customizing the displayed information based on the training level of the individual or recent interactions therewith, and/or customizing an automated help function based on training level of the user or recent interactions therewith. The MMU 12 presents a user with a default view based on the user's role. The MMU 12 permits a default view for each role to be configurable in terms of the data detail presented. The MMU 12 allows a user with the appropriate privilege to set a particular presented view as the preferred or default starting view for that user following login. The MMU 12 allows a user to access databases and details based on role and privilege. The MMU 12 allows a user to access other views based on role and privilege. Each presented view includes: a common means of navigating among views, both summary and detail, access to privacy, security, and other policy statements, access to online help, and a logoff capability. Additionally, an emergency bypass (such as a pass-code) would be provided to bypass security restrictions in case of an emergency.

With reference to FIG. 22, another portion of the functional steps of the Monitor Pump 52 program in the MMU 12 and the corresponding Monitor Pump 130 program in the medical device 14 are shown in operation with the computer 254. The MMU 12 tracks and records actions taken by the caregiver 114 based on operational data reported from one or more medical devices 14. Just as the MMU 12 is capable of generating an operational evaluation of each medical device 14, the MMU 12 can likewise generating an operational evaluation of each caregiver 114 (not shown) at step 288. This operational evaluation of each caregiver 114 includes records of each caregiver's 114 actions (or, in some cases, inactions), sorting of these actions based on given criteria, and tracking of any trends in these actions. In general, these records of actions include any task lists, medication administration records, treatments, and other actions associated with the

caregiver's 114 responsibilities. Such records of actions may combine medications administered, treatments, and other actions for multiple patients under the care of an individual caregiver. MMU 12 then sends the operational evaluation message (including
5 any relevant quality control alert) to an appropriate area (e.g. to the computer 254 or caregiver supervisor's computer (not shown)) in a form that is appropriate for the particular alert (usually including but not limited to graphically or audibly). Additionally, operational evaluation message (including any relevant quality
10 control alert) can be sent to any number of individuals including but not limited to the caregiver, a biomedical engineer, caregiver supervisor, and a doctor.

Additionally, the MMU 12 can instruct the medical device 14 to customized display 88 based on the operational evaluation
15 message. Thus, the display 88 is adjusted by the MMU 12 based a determination that the caregiver 114 requires additional or different information displayed to improve caregiver 114 interaction with the medical device 14. For example, detailed step
20 by step instructions can be placed on display 88, where the MMU 12 recognizes a caregiver 114 who is not familiar with a particular therapy, using the display 88 as the instruction means. Likewise, where the MMU 12 recognizes that a caregiver 114 has limited
experience programming the medical device 14 (caregiver experience) or in previous interactions had made errors
!5 programming a particular function (caregiver error rate) or was a statistically longer than the norm at programming a particular function (caregiver response time), the MMU 12 instructs the
medical device 14 to display pertinent training information.

In another embodiment best understood with reference to FIG.
0 4A, the medical device 14 is designed to act as a web server for the input device 32 or other similar devices within proximity to the medical device 14. In this embodiment, medical device 14 is equipped to supply the input device 32 web browser (client) with

medical device related information as well as non-medical device related information such as task lists, etc. Additionally, the medical device 14 displays a dual function screen having both a pump monitor screen portion and a web browser screen portion.

5 Further, supplying the medical device 14 as a web server permits a remote web browser to associate with the medical device 14 to configure the medical device 14 or run diagnostics on the medical device 14.

10 With reference to FIGS. 2 and 4A, another portion of the Monitor Pump 52 program in the MMU 12 and the corresponding Monitor Pump 130 program in the medical device 14 is directed to cloning between medical devices 14. The medical devices 14 are designed to have wireless data sharing between each medical device 14 sufficient to permit cloning of all patient information between
15 each medical device 14, and/or the multi-sequencing of a set of medical devices 14 without a hardwired connection. The MMU 12 adjudicates this cloning and/or multi-sequencing.

20 FIGS. 23-30 assist in illustrating another set of embodiments of the invention. As best understood in view of FIGS. 1 and 23, the patient link 20 is eliminated from the system in this set of embodiments and an input device 32, including but not limited to a point-of-care (POC) device such as a personal digital assistant (PDA) equipped with a scanner or machine label reader, connects or communicates with the HIS 18 and the MMU 12 of the MMS 10. With
25 reference to FIGS. 23-24, another input means 26 or device such as a POE (physician order entry) computer connects and communicates with the HIS 18 in order to allow a physician to deliver a medication order prescribed for a particular patient. Although it may not always be the case, the medication order is generally routed
30 through the pharmacy and the pharmacy information system or PhIS 24 so that the medication can be physically prepared and, if necessary, repackaged, reconstituted, and labeled with identification for delivery. The medication order typically

includes instructions regarding the drug (drug name, concentration, and amount such as volume, quantity, or mass), the patient, the route of administration, and the prescribed time(s) of administration or execution.

5 The MMU 12 includes a processing unit 36 and at least one input/output device 38 as discussed above. When multiple input/output devices are used, one input/output device 38 is provided for monitoring the MMU 12 and medical devices 14 (pumps or infusers and lines or channels thereof, for example) connected
10 to the MMU, entering clinical or expert decision rules, entering or editing data to configure the MMU 12, running various programs thereon, and extracting reports. In FIG. 24, the processing unit 36 is a computer server and a separate MMU console 38 connects or communicates with it. The MMU console 38 is physically located
15 in a biomedical engineering area, although other locations including but not limited to a nursing station, security desk, administrative area, or physician's desk would be possible. Another input/output device 38A in the form of a drug library editor (DLE) console connects or communicates with the processing unit
20 36 to enter, edit, import and export data relating to the drug library. Although many locations within the health care facility are possible without detracting from the invention, the DLE console 38A is physically located in the pharmacy under the control of a licensed pharmacist. One skilled in the art will appreciate that
25 a standard personal or laptop computer can function as both the processing unit 36 and one or more of the input/output devices 38, 38A. The input/output devices 38, 38A can also be provided as separate input and output devices.

30 FIGS. 2, 4, 4A, 25 and 26 illustrate basic components of the system, depict the flow of certain data within the system, and depict the steps for automatically programming and monitoring the medical device 14, an infuser or multi-channel pump in this example. The entry of the prescribed drug order into the HIS 18

by the physician (FIG. 24) causes a medication container 100 to be selected or prepared by a pharmacist in the pharmacy using information from the PhIS 24 and the HIS 18. Many modern drug containers come from the manufacturer pre-filled and now include machine-readable labels with drug identification information thereon. Alternatively, the pharmacist provides drug identification information on a PhIS computer generated machine-readable label for attachment to the container. Typically, drug identification information includes the drug name, concentration, and amount in volume or mass. The manufacturer or pharmacist may supplement this basic label information with additional information including manufacturer name, expiration date, production lot, patient identification, and other information in a format readable by a machine or a human as required by the health care facility, government agencies or industry practice. When ready, the container 100 with its label 102 is provided to the caregiver 114 or placed in an appropriate storage area for later administration to the patient.

As the time of scheduled administration approaches, the caregiver 114 enters caregiver specific identification (caregiver ID) with the input device 32, for example by scanning the machine-readable indicator 116 on their badge or similar article at step 300, to verify that the caregiver 114 is an authorized user. At step 302, which is optional, the input device 32 gets from the HIS 18 a list of task or orders the caregiver 114 is authorized and scheduled to perform on various patients. This task list is presented on the screen of the input device or PDA 32. Alternatively, in other embodiments, it may be unnecessary to scan the indicator 116 on the caregiver badge because the hospital has elected not to track such information or the caregiver has already identified themselves in another manner before using the input device 32, including but not limited to logging in to the system

or device with an appropriate login user ID and password combination or using a designated authorization code.

At the bedside, in step 304, the caregiver 114 enters the patient-specific identification information by using the input
5 device 32 to enter, read or scan the machine-readable indicator 112 associated with the patient 110. In step 306, the input device 32 gets, displays, selects, or highlights a list of orders or tasks associated with the specific patient 110 scanned. In step 308,
10 the caregiver 114 uses the input device 32 to scan the label 102 on the drug container 100, which triggers the input device to select, highlight or display a specific order or task on its display screen. In step 310, the input device 32 uses the drug ID to get the details of the specific order from the HIS 18.

In step 312, the caregiver 114 uses the input device 32 to
15 enter, scan or read the machine-readable channel/infuser ID indicator 92, 96 on the channel 90, 94 of the medical device 14 to be used to dispense the order. If the appropriate channel/infuser has been selected and scanned, the input device 32 submits the delivery order to the MMU 12 at step 314.
20 Alternatively, the HIS 18 can submit the order directly to the MMU 12, preferably after confirmation by the caregiver 114 at the PDA 32. At any rate, prior to submission of the medication delivery order to the MMU 12 and the medical device 14, up to seven "rights" of medication management have been matched, verified, or validated
25 as correct. The right caregiver will be administering the right drug to the right patient at the right time, in the right dosage, through the right route/device, and through the right device channel.

One skilled in the art will appreciate that the pre-submission
0 steps 300-312 can be done in any order necessary to conform to hospital practices and desired workflow. For example, the caregiver 114 can scan the drug container label 102 (step 308) before scanning the patient ID 112 (step 304). Step 304, which

includes entering the patient ID 112, may be done prior to the step 300 of entering the caregiver ID 116. In that case, for security and patient privacy purposes, the system would delay the display of the order list for the patient until after the caregiver's
5 authorization has been verified. Although it is contemplated that the HIS 18 is the most efficient place to perform the above date comparisons, one skilled in the art will recognize that the necessary comparisons between the scanned caregiver, patient, drug and device specific delivery information and the originally
10 entered infusion order may take place at the PDA 32, the MMU 12, the HIS 18 or some combination thereof.

The MMU 12 translates the order at step 316 into a format that the medical device 14 can recognize. Then the MMU 12 submits the order to the medical device 14 at step 318. In step 320, the medical
15 device 14 confirms the order with the MMU. The pump can automatically confirm the order or, more preferably, a caregiver can verify and confirm the order at the pump. The medical device 14 communicates the status of the infusion to the MMU 12 in real-time or at periodic intervals in step 322. As desired by the
20 caregiver or other authorized users, the input device or PDA 32 can poll the MMU 12 for the status of the infusion at step 324. The MMU 12 can respond to this request, polling, or "pull" of information at step 326 as illustrated by the dashed line in FIG. 26, or the polling step 324 can be eliminated and MMU 12 can "push"
25 the infusion status to the PDA 32 or another computer associated with the system at predetermined times or stages of infusion completion. The PDA 32 can share the infusion status data with the HIS 18 or the HIS 18 can receive the data from the MMU 12.

From FIGS. 2, 24, 25 and 30, it will be understood that the
30 MMS 10 can include a MMU 12 and a DLE 38A, 38B that are deployed on separate computers (terminals) or on the same machine. The DLE (drug library editor) 38A, 38B includes a user interface 37 and a drug library database 39 formulated and editable using a

conventional database management software platform such as SQL ServerTM or SQL Desktop EngineTM by Microsoft of Redmond, Washington, USA. The drug library editor communicates with the MMU 12 and performs various functions related to the drug library, including

5 but not limited to importing, maintaining or editing, and exporting the final drug library (FDL). The drug library can be stored in a local or network storage location 40, 328, with local storage being understood to be in a memory or storage medium 40 of the MMU or DLE and network storage 328 being understood to be in a location

10 remote from the MMU or DLE and connected thereto by the electronic network 76 (FIG. 4). The MMU 12 includes a web browser 41 for producing various predetermined and user customizable views and reports. The MMU 12 further includes a business logic unit 43 and a reporting engine 45. The logic unit 43 and reporting engine 45

15 communicate with and interact with the web browser 41 and a MMU database 47 formulated using any conventional database management software, such as Microsoft SQL ServerTM 2000. When the MMU 12 and DLE 38A are deployed on separate machines, as shown in FIG. 30, the drug library can be edited in the DLE 38A and the updated or

20 final drug library version (FDL) can be exported into storage 40, 328 and then imported in the MMU 12 for eventual download to medical devices. Utilizing separate machines or terminals for the MMU console 38 and the DLE console 38A is advantageous in that control, maintenance and editing of the drug library can be done by licensed

25 pharmacists or doctors in one physical location, while monitoring of the MMU 12 and thus the pumps 14 in communication with the MMU 12 can be done by less costly caregivers in another physical location, such in the patient's ward where they can respond quickly to any problems. Alternatively, the storage 40, 328 can be a

30 database that is shared by the MMU 12 and the DLE 38A or 38B. This database can be managed by a database management software package, such as Microsoft SQL Server 2000. In such a situation, the MMU console 38 and the DLE console 38A can still be in two separate

locations and connected to the same common database, which can be stored on any machine in the network, including but not limited to on the same machine as MMU console 38 or DLE console 38A, for exporting a drug library from DLE to MMU 12. This would allow the export/import of the drug library from DLE to MMU to be done with or without user intervention.

Referring to FIG. 27, the MMU 12 of this invention allows a user 330 to select one or more medical devices 14, such as infusers or pumps, at step 332 and launch or initiate a drug library download at step 334. The MMU 12 downloads a drug library to a communication engine or network interface 122 associated with the infuser 14. Although hard-wired communication is possible, the MMU 12 and the interface 122 preferably communicate wirelessly. Although other locations are possible, the interface 122 is preferably attached to or, more preferably, internal to the infuser 14 ("internal" should be understood as having a majority of its circuit board residing inside the housing of the infuser). The interface 122 communicates the status of the drug library download back to the MMU 12 at step 338, reporting whether any errors were encountered or verifying that the download was successfully received. As mentioned above with respect to FIG. 4A, the infuser or pump 14 includes the interface 122 that includes or communicates with a cache memory 126A to store the new drug library information so the pump 14 may continue to use an existing drug library to complete an infusion. At step 340, the interface 122 notifies the infuser 14 that a drug library update has been received. An alert or notice, in visual or audible form, that a drug library update has been received may be communicated to the infuser user interface. A triggering event at step 342, including but not limited to the consent of a caregiver 114, causes the new drug library to be pulled from the cache memory 126A, which is associated with the interface 122 and pump 14, in step 344. Thus, the new drug library replaces the existing active drug library in the infuser when the triggering

event occurs. The infuser 14 also reports its status, including which active drug library it is using, to the MMU 12 through the network interface at steps 346 and 348. Detailed logs of the actions of the pump 14 and the interactions of the caregiver 114 with it are uploaded from the pump 14 to the MMU 12 in step 350. After the logs have been uploaded to the MMU 12, the network interface 122 may erase the logs in the pump 14 at step 352, if desired, to save space in the memory of the medical device 14.

Similarly, as best understood in view of FIGS. 2 and 4A, the MMU 12 includes respective programs 61, 63 for downloading or updating pump software code and managing a master drug ID map. The medical device 14 includes respective programs 131, 133 for receiving downloads of this code and information. The download pump software programs 61, 131 allow the MMU user to download a particular version of device-specific overall system operating code to the processing unit 36 of one or more medical devices. Thus, when the manufacturer releases a new version of operating system software with various enhancements for the medical device 14, the new code can efficiently be loaded onto machines in the field, as an alternative to being returned to the factory for upgrade. The manage drug map programs 63 and 133 allow the MMU 12 and medical device 14 to recognize and cross-reference drug information from a variety of drug manufacturers, HIS vendors and other sources, for example, including but not limited to Abbott Laboratories, Hospira, Inc., Cerner Multum, First Data Bank and other similar sources.

One skilled in the art will appreciate that drug library, pump software, or drug map downloads as described above are "pushed" from the MMU 12 to the medical device 14. Alternatively, the MMU 12 only manages the latest version of the information and any one of those downloads can be "pulled" or initiated by the user at the user interface on the medical device 14, using the network interface 122 as a pass through device or as an intermediate cache

device. Of course, the medical device 14 could also be programmed to automatically pull the most recent information from the MMU 12 at startup or under other predetermined conditions, including but not limited to a specific day, date, time of day, etc., without operator input.

FIG. 28 shows a couple of possible ways the MMU 12 can receive uploads regarding the status of an infusion. In the upper half of FIG. 28, the information about the status of an infusion is pushed from the infuser 14 to the MMU 12 through the network interface 122 in steps 354 and 356. In the lower half of FIG. 28, the network interface 122 pulls information by querying the pump 14 about the status of the infusion at step 358. The pump 14 responds to this call by providing in step 360 the status of the infusion, which is then sent to the MMU 12 in step 362. Although such steps are not shown in order to avoid overcomplicating the figures with alternative or optional steps, one skilled in the art will understand that either of the two status update processes shown in FIG. 28 and described above can be preceded by the step of the MMU 12 querying or polling the pump 14 through network interface 122 for its status.

Similarly, FIG. 29 illustrates a couple of possible ways the MMU 12 can receive event logs with detailed information regarding the actions of the pump 14 and the interactions of the caregiver 114 with it. The event log information can include, but is not limited to, pump status, pump activity, alerts, alarms, and caregiver activity such as keystrokes and alarm overrides. In the upper half of FIG. 29, the event log information is pushed from the infuser 14 to the MMU 12 through the network interface 122 in steps 363 and 364. In the lower half of FIG. 28, the network interface 122 pulls event log information by querying the pump 14 at step 366. The pump 14 responds to this call by providing in step 368 the event log information, which is then sent to the MMU 12 in step 370. Although such steps are not shown in order to avoid

overcomplicating the figures with alternative or optional steps, one skilled in the art will understand that either of the two event log upload processes shown in FIG. 29 and described above can be preceded by the step of the MMU 12 querying, requesting, or polling
5 the pump 14 through network interface 122 for its event log.

Referring again to FIG. 24, the flow of information in the present invention is summarized. As mentioned earlier, the information can be transmitted wirelessly, by hard-wired connection of the components, or by some combination of hard-wired
10 and wireless connections. As shown and discussed above relative to FIG. 4, the HIS 18 and MMU 12 can be hard-wired and stationary, while it is preferable that the point-of-care (POC) input device or means 32 and the medical device 14 be mobile and equipped to transmit and receive communication wirelessly. The point of care
15 input device 32 can be personal digital assistant (PDA), a notebook or laptop computer, a tabletop or cart-mounted personal computer, a bar code point-of-care (BPOC) scanning device, or other similar active or passive data input means. For example, in the embodiment disclosed in FIG. 24, the POC input device is a PDA equipped with
20 a bar code scanner.

The physician enters or inputs a medication (infusion) order into the HIS 18 through means of the physician order entry (POE) computer 26. The medication order specifies or prescribes that a specific patient is to receive a particular dosage of a specific
5 medication or drug at a particular time via a prescribed administration route. An authorized caregiver 114 uses the POC device 32 to provide caregiver identification and to request or receive a list of tasks to be accomplished. The list may include medication orders for various patients under the caregiver's care.
0 The caregiver enters or scans the machine-readable indicia 112 on a patient 110 with the POC device 32 and is able to access a list of one or more medication orders for the specific patient scanned. The caregiver 114 enters or scans the machine-readable indicia 102

on the drug container 100 and the machine-readable indicia 92, 96 on the particular channel of the medical device or infusion pump 14 to be used for the infusion. The caregiver 114 can then confirm with POC device 32 and the HIS 18 that the information scanned
5 matches the medication order. The POC device 32 transmits a medication delivery order including but not limited to some or all of the identification information discussed above and an infusion rate to the MMU 12.

The MMU 12 translates the simple infusion rate of the delivery
10 order into delivery programming code or information suitable for automatically programming the designated pump 14 and further checks the delivery order and delivery programming code against a variety of drug library parameters (including but not limited to hard and/or soft limits for drug delivery rates),
15 patient-specific safety factors, and clinical decision support rules. The MMU 12 can be configured by the user at the MMU console to monitor the status of the pump 14 and the infusion (including alarms, event logs, and pump user interface inputs), generate reports, and control the distribution of drug library and operating
20 code updates to one or more pumps 14. A drug library editor deployed as a part of the MMU 12, its console 38, or on a separate computer 38A, enables the user to import, export and edit whole drug libraries and individual drug library values to control and customize a drug library according to hospital preferences.

25 The MMU 12 saves the caregiver time by automatically populating or programming data entry fields in the pump 14 that previously had to be entered manually. The medication management system 10 of this invention enhances patient safety by minimizing manual entries. The system 10 also enhances patient safety by
30 screening drug delivery orders for conformance with established hospital practices, expert or clinical decision support rules and recommendations before (more preferably immediately before) the pump 14 begins to execute the order. The system 10 can provide

alerts in various locations, including but not limited to at the POC device 32 or at the medical device 14, when the clinical decision rules are not met. The alerts can take many possible forms, including but not limited to visible or audible alarms. The caregiver 114 is provided with a least one and preferably several opportunities to catch a medication error before it happens. For example, the caregiver 114 can confirm the order at the POC device 32 and/or before pressing the start button on the pump 14. The system is flexible enough to permit human interventions and overrides, but tracks such events for documentation purposes. Whereas the invention has been shown and described in connection with the embodiments thereof, it will be understood that many modifications, substitutions, and additions may be made which are within the intended broad scope of the following claims. From the foregoing, it can be seen that the present invention accomplishes at least all of the stated objectives.

THE EMBODIMENTS OF THE INVENTION FOR WHICH AN EXCLUSIVE PROPERTY OR PRIVILEGE IS CLAIMED ARE DEFINED AS FOLLOWS:

1. A medication management system, for use with an information system and first and second input means; wherein the first input means delivers a medication order prescribed for a patient to the information system; and wherein the second input means inputs machine-readable patient-specific, drug container specific, and medical device specific delivery information from the patient, drug container, and medical device respectively; comprising:

a medical device adapted to perform a medication delivery order based upon a medication order prescribed for a patient; and

a medication management unit adapted for electronic communication with the information system, the medical device and the second input means, the medication management unit having a processing unit and a storage medium coupled to the processing unit, the storage medium containing an expert rule set and programming code executed by the processing unit to separately receive at a first time a first medication delivery order for a first drug and at a second time that is different from the first time a second medication delivery order for a second drug from the information system as separate and distinct current patient medical orders, and then compare the first and second delivery orders with the expert rule set to determine if there is drug-drug incompatibility based on delivery to the patient in a given requested time sequence according to the current patient medical orders;

wherein, if drug-drug incompatibility is found, then the medication management unit programming code automatically

dynamically determines from the expert rule set a suggested time delay interval between delivery of the first and second medication delivery orders that would avoid drug-drug incompatibility; and

wherein the medication management unit programming code automatically transmits a command to the medical device to add the suggested time delay between the delivery times of the first and second medication delivery orders.

2. The system of claim 1 wherein the first medication delivery order is already being delivered by the medical device when the second medication delivery order is received as an update to the current patient medical orders.

3. The system of claim 1 wherein the medical device is a multiple channel infusion pump and the first and second medication delivery orders are to be delivered through a single common output line of the pump.

4. The system of claim 1 wherein the medical device is a multiple channel infusion pump and the first and second medication delivery orders are to be delivered through a single channel of the multiple channel infusion pump.

5. The system of claim 1 wherein the medical device is an infusion pump and the first and second medication delivery orders are to be delivered through a single channel of the infusion pump and through a single common output line of the pump.

6. The system of claim 1 wherein the expert rule set is

customizable by a user of the medication management system as part of a drug library that is downloadable to the medical device.

7. The system of claim 1 wherein the expert rule set is based upon rules obtained from a third party data base.

8. A method for evaluating the performance of multiple caregivers from a medication management unit, comprising:

collecting caregiver action information regarding multiple caregivers from one or more medical devices at the medication management unit;

generating a statistical measure of variations between the caregiver action information from the medical devices at the medication management unit; and

analyzing the statistical measure at the medication management unit to determine if a select caregiver has caregiver action information indicating that the select caregiver is operating at a level statistically different than the non-select caregiver.

9. The method of claim 8, wherein the caregiver action information is selected from a group consisting of task lists, medication administration records, and treatments.

10. The method of claim 8, further comprising the step of generating a quality control alert at the medication management unit where the statistical measure is outside a given threshold.

11. The method of claim 10, further comprising the step of sending the quality control alert to a clinician selected from a group consisting of a caregiver, a biomedical engineer,

caregiver supervisor, and a doctor.

12. The method of claim 8, wherein the steps of claim 8 are at least partially performed while one of the medical devices is performing an infusion.

13. The method of claim 8, further comprising the step of collecting the caregiver action information from the medical devices in real-time.

14. A method for evaluating the performance of a caregiver from a medication management unit, comprising:

collecting caregiver action information regarding the caregiver from one or more medical devices at the medication management unit;

generating a statistical measure of variations between the caregiver action information from the medical devices and a predetermined norm at the medication management unit; and

analyzing the statistical measure at the medication management unit to determine if the caregiver has caregiver action information indicating that the caregiver is operating at a level statistically different than the norm.

15. A medication management system for evaluating the performance of multiple caregivers from a medication management unit, comprising:

one or more medical devices in electronic communication with the medication management unit, each having a processor and a memory coupled to the processor, the memory containing programming code

executed by the processor to output caregiver action information; and

a medication management unit having a processing unit and a storage medium coupled to the processing unit, the storage medium containing programming code executed by the processing unit to:

collect caregiver action information regarding multiple caregivers from the medical devices at the medication management unit,

generate a statistical measure of variations between the caregiver action information from the medical devices at the medication management unit, and

analyze the statistical measure at the medication management unit to determine if a select caregiver has caregiver action information indicating that the select caregiver is operating at a level statistically different than the non-select caregiver.

16. A medication management system for evaluating the performance of a caregiver from a medication management unit, comprising:

one or more medical devices in electronic communication with the medication management unit, each having a processor and a memory coupled to the processor, the memory containing programming code executed by the processor to output caregiver action information; and

a medication management unit having a processing unit and a storage medium coupled to the processing unit, the storage

medium containing programming code executed by the processing unit to:

collect caregiver action information regarding the caregiver from the medical devices at the medication management unit,

generate a statistical measure of variations between the caregiver action information from the medical devices and a predetermined norm at the medication management unit, and

analyze the statistical measure at the medication management unit to determine if the caregiver has caregiver action information indicating that the caregiver is operating at a level statistically different than the norm.

17. A method for dynamically adjusting the screen brightness of a pump screen display, comprising the steps of:

providing a medical pump comprising a screen display, the screen display having a first screen brightness and a second screen brightness;

providing a medication management unit operatively connected to said medical pump, said medication management unit configured to transmit operating instructions to said medical pump, said operating instructions comprising instructions to display said first screen brightness during daytime hours and instructions to display said second screen brightness during nighttime hours;

determining a current time of day using said medication management unit; and

transmitting instructions from said medication management unit to said screen display to display said first screen brightness or said second screen brightness based upon the determined time

of day.

18. The method of claim 17, wherein said first screen brightness is brighter than said second screen brightness.

19. A method for evaluating the performance of multiple medical devices from a medication management unit, comprising the steps of:

collecting operation information from each medical device at the medication management unit;

generating a statistical measure of variations between the operation information from each medical device at the medication management unit; and

analyzing the statistical measure at the medication management unit to determine if a select medical device has operation information indicating that the select medical device is operating at a level statistically different than non-select medical devices; and

wherein the steps are at least partially performed while one of the medical devices is performing an infusion.

20. The method of claim 19, wherein the operation information is selected from a group consisting of air alarm events, occlusion alarm events, battery usage data, and screen response time.

21. The method of claim 19, further comprising the step of generating a quality control alert at the medication management unit where the statistical measure is outside a given threshold.

22. The method of claim 21, further comprising the step of

sending the quality control alert to a clinician selected from a group consisting of a caregiver, a biomedical engineer, caregiver supervisor, and a doctor.

23. The method of claim 19, further comprising the step of collecting the operation information from each medical device in real-time.

24. A method for evaluating the performance of a medical device from a medication management unit, comprising the steps of:

collecting operation information from the medical device at the medication management unit;

generating a statistical measure of variations between the operation information from the medical device and a predetermined norm at the medication management unit; and

analyzing the statistical measure at the medication management unit to determine if the medical device has operation information indicating that the medical device is operating at a level statistically different than the norm; and

wherein the steps are at least partially performed while the medical device is performing an infusion.

25. A medication management system for evaluating the performance of multiple medical devices from a medication management unit, comprising:

a plurality of medical devices in electronic communication with the medication management unit, each having a processor and a memory coupled to the processor, the memory containing

programming code executed by the processor to output medical device specific operation information; and

a medication management unit having a processing unit and a storage medium coupled to the processing unit, the storage medium containing programming code executed by the processing unit to perform steps comprising:

collecting operation information from each medical device at the medication management unit,

generating a statistical measure of variations between the operation information from each medical device at the medication management unit, and

analyzing the statistical measure at the medication management unit to determine if a select medical device has operation information indicating that the select medical device is operating at a level statistically different than the non-select medical devices; and

wherein the steps are at least partially performed while one of the medical devices is performing an infusion.

26. A medication management system for evaluating the performance of a medical device from a medication management unit, comprising:

a medical device in electronic communication with the medication management unit, the medical device having a processor and a memory coupled to the processor, the memory containing programming code executed by the processor to output medical device specific operation information; and

a medication management unit having a processing unit and a storage medium coupled to the processing unit, the storage medium containing programming code executed by the processing unit to perform steps comprising:

collecting operation information from the medical device at the medication management unit,

generating a statistical measure of variations between the operation information from the medical device and a predetermined norm at the medication management unit, and

analyzing the statistical measure at the medication management unit to determine if the medical device has operation information indicating that the medical device is operating at a level statistically different than the norm; and

wherein the steps are at least partially performed while the medical device is performing an infusion.

1 / 33

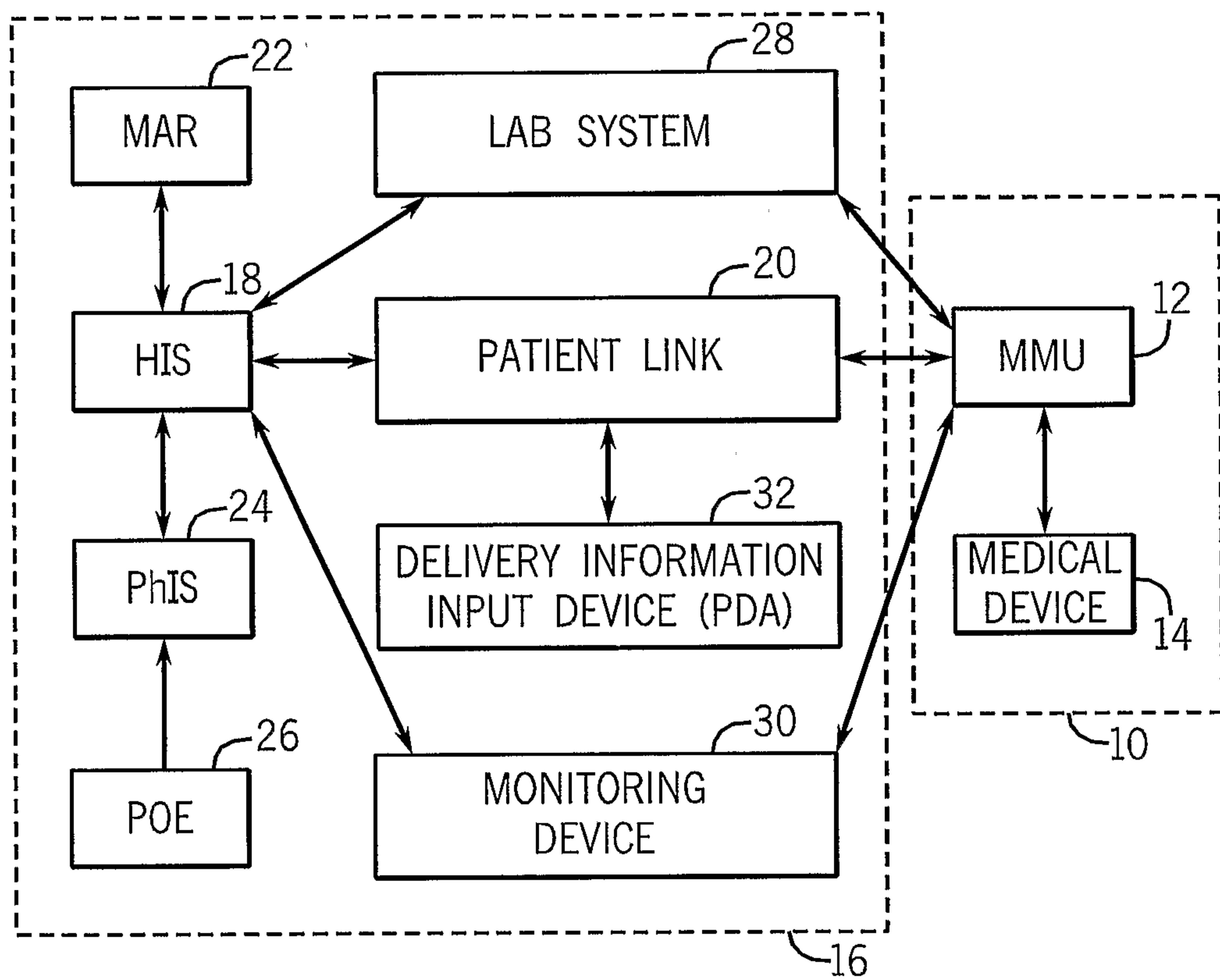


FIG. 1

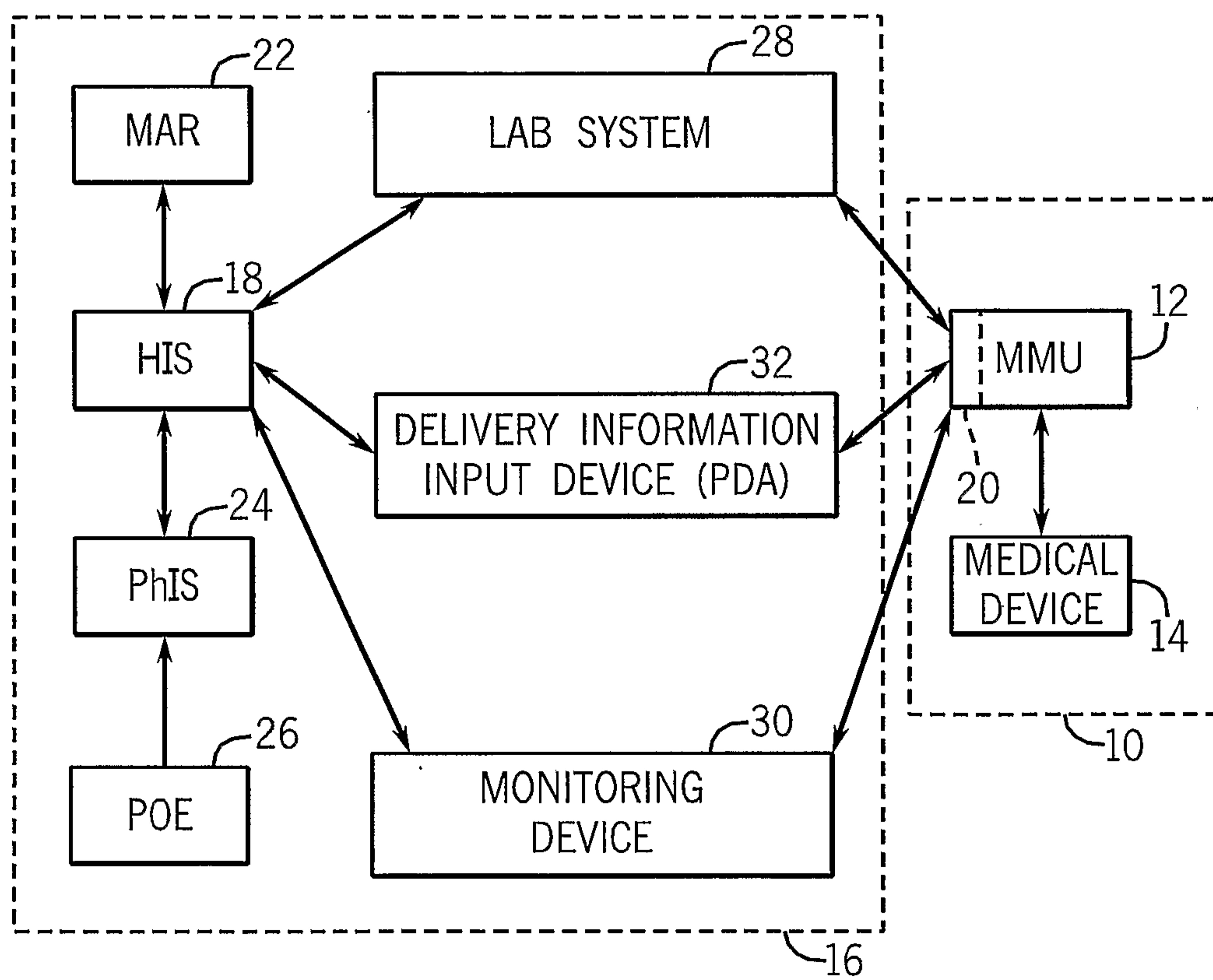


FIG. 1A

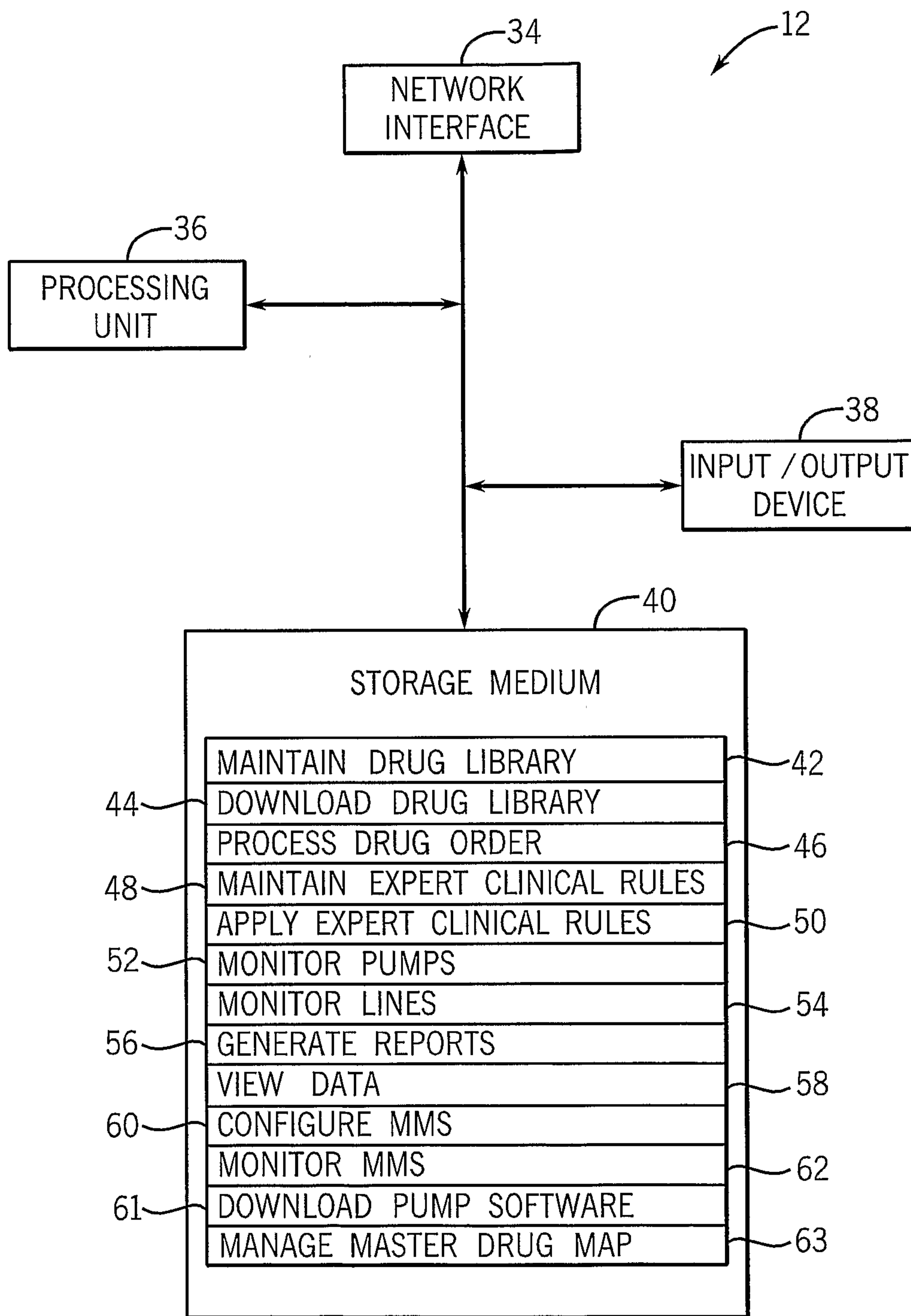


FIG. 2

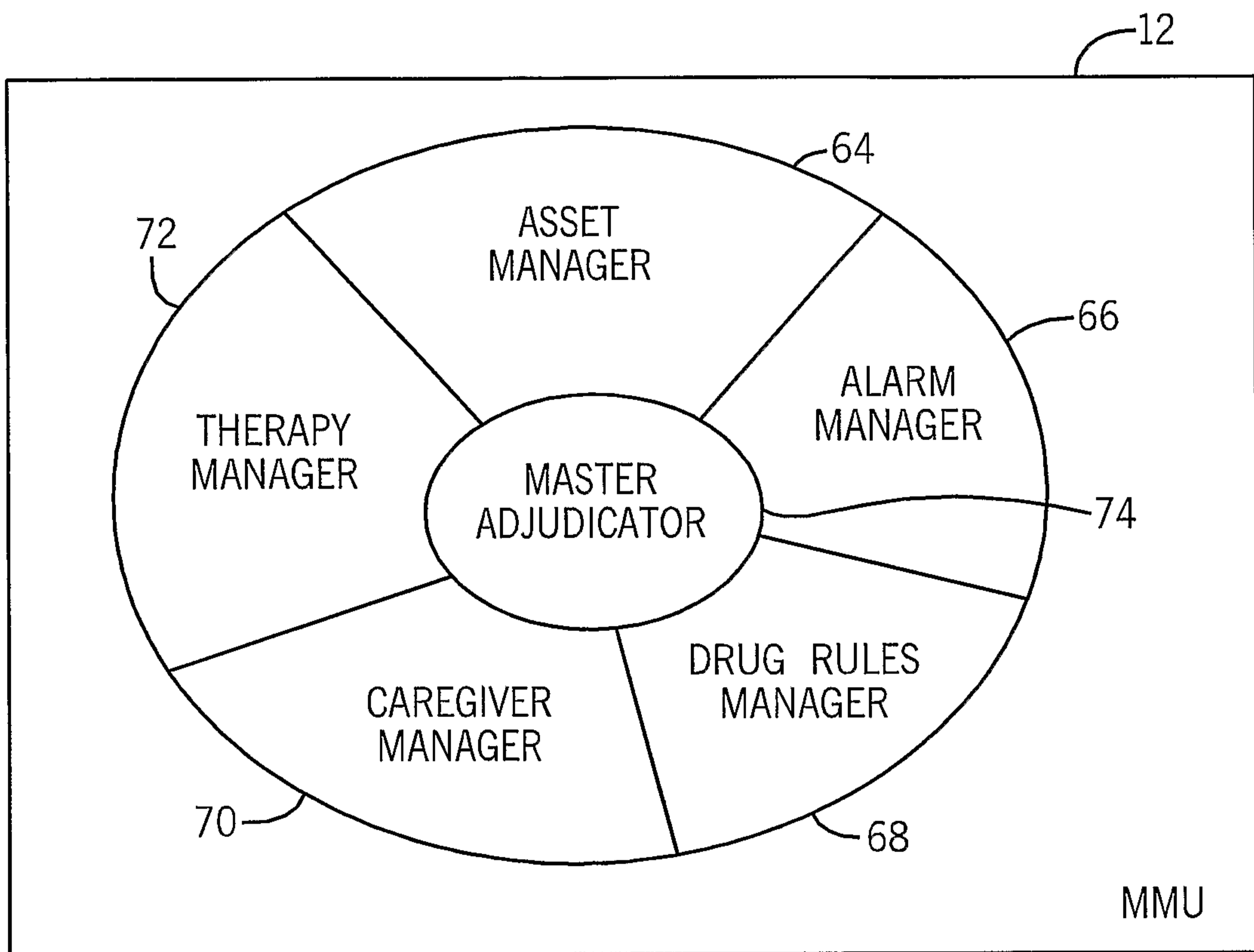


FIG. 3

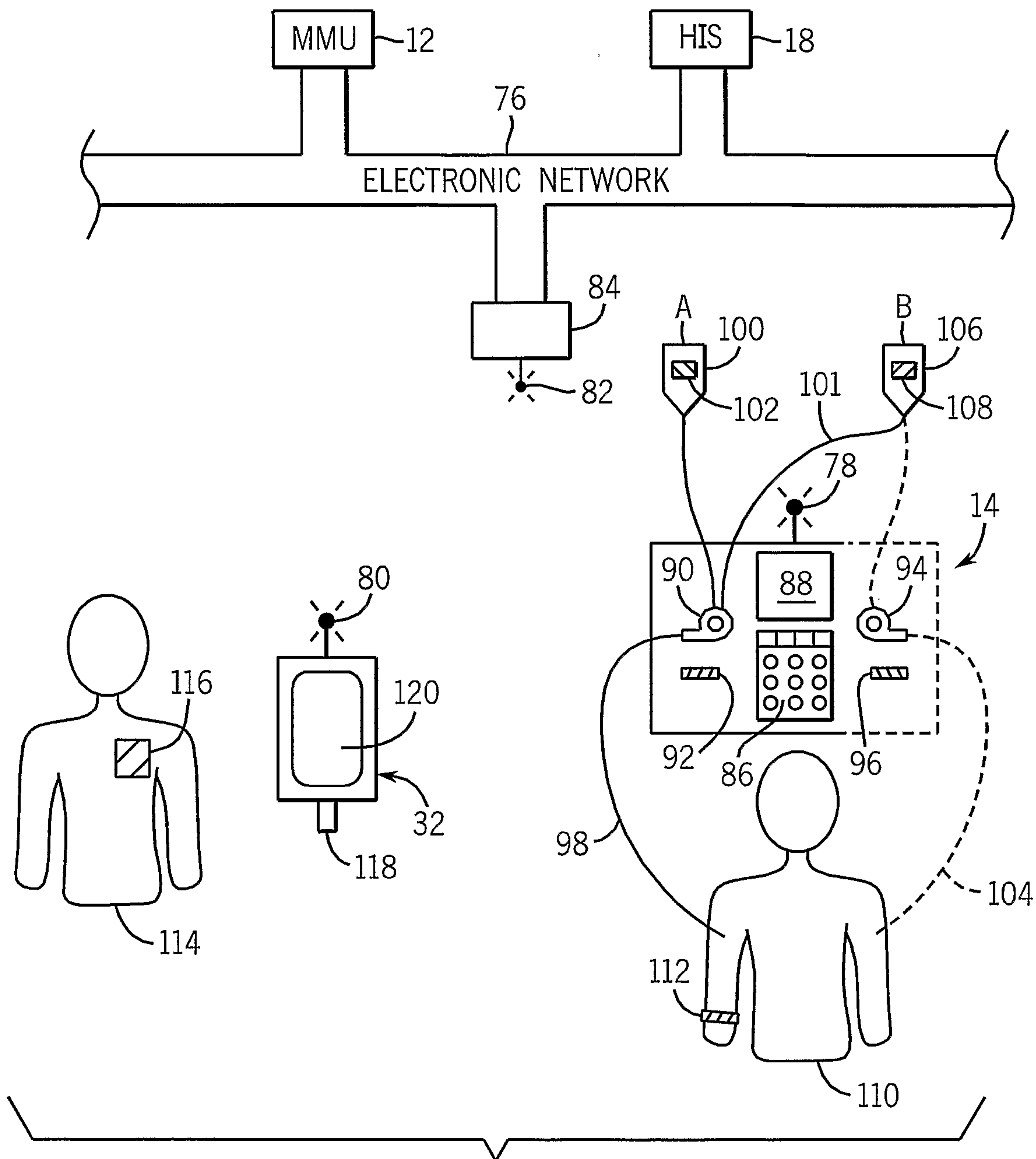


FIG. 4

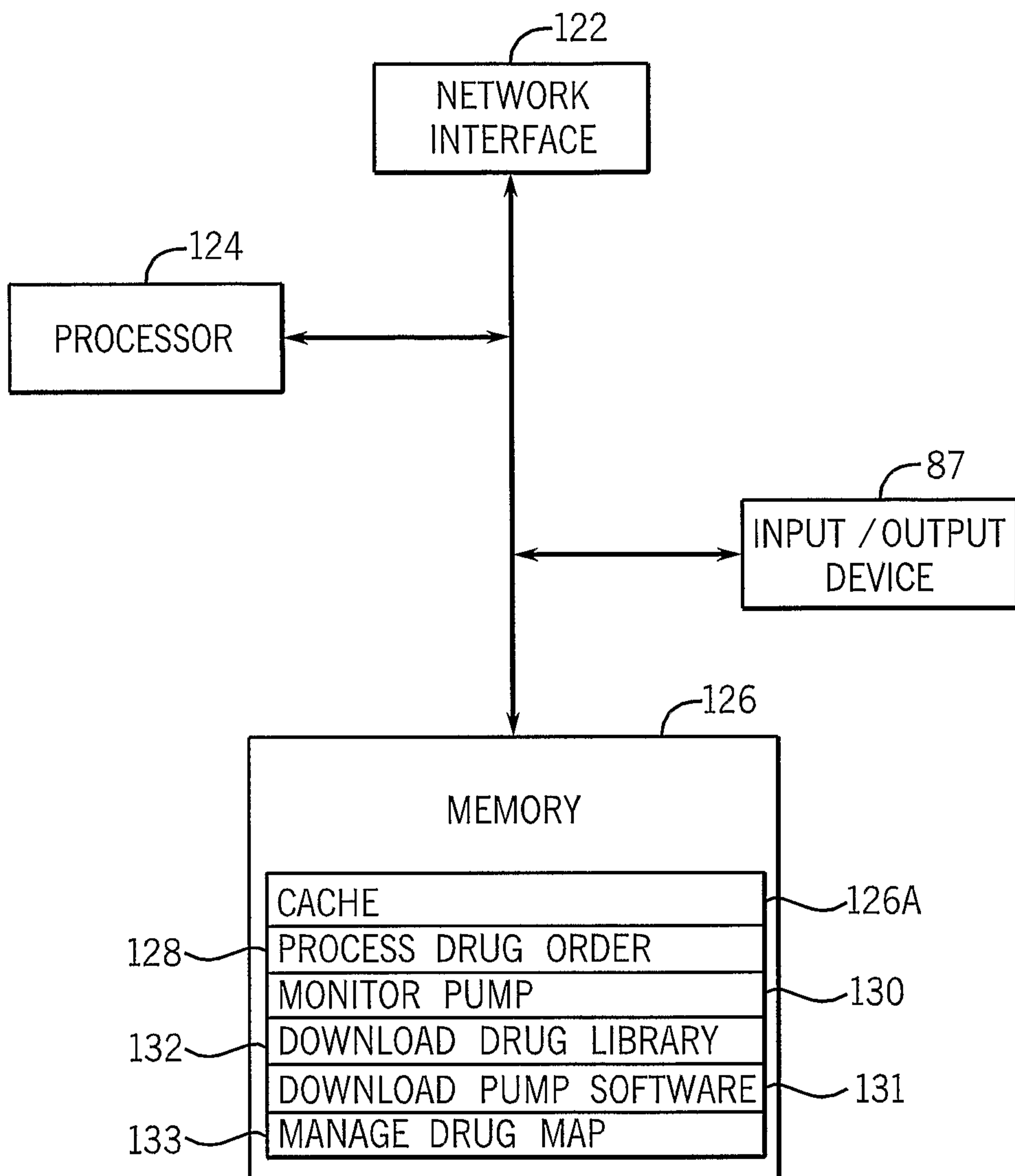
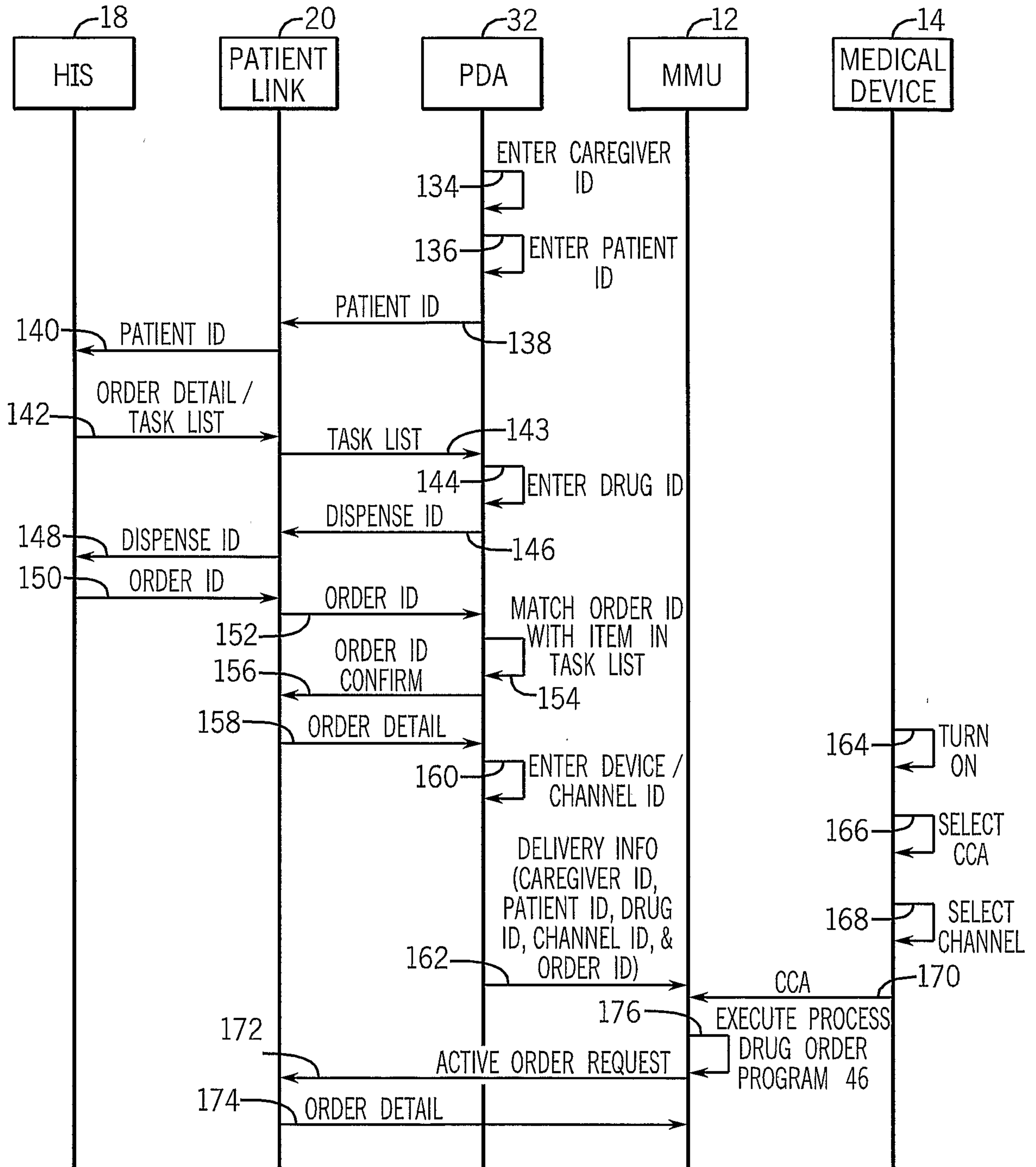


FIG. 4A



TO FIG. 5A

FIG. 5

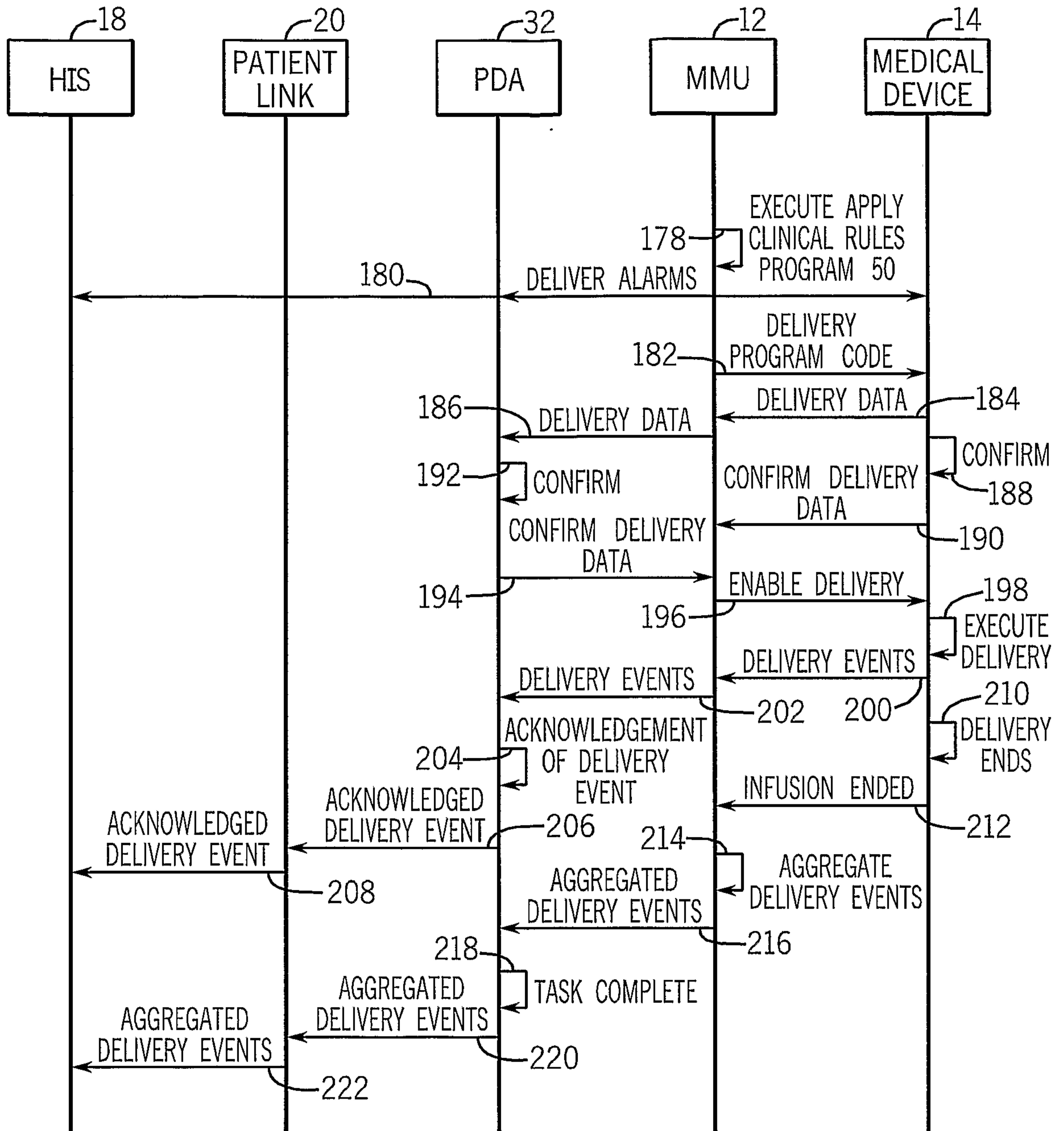
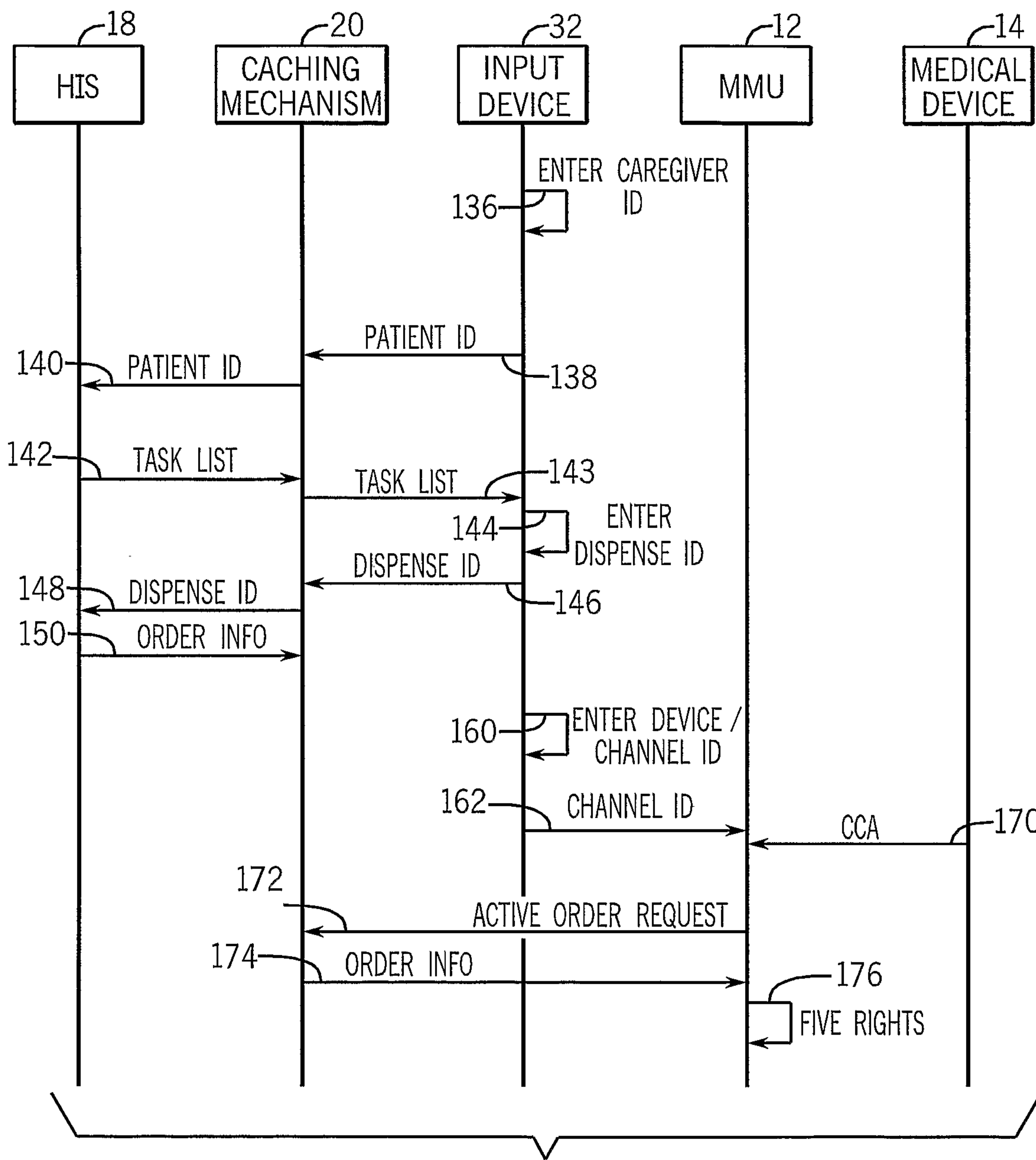


FIG. 5A



TO FIG. 6A

FIG. 6

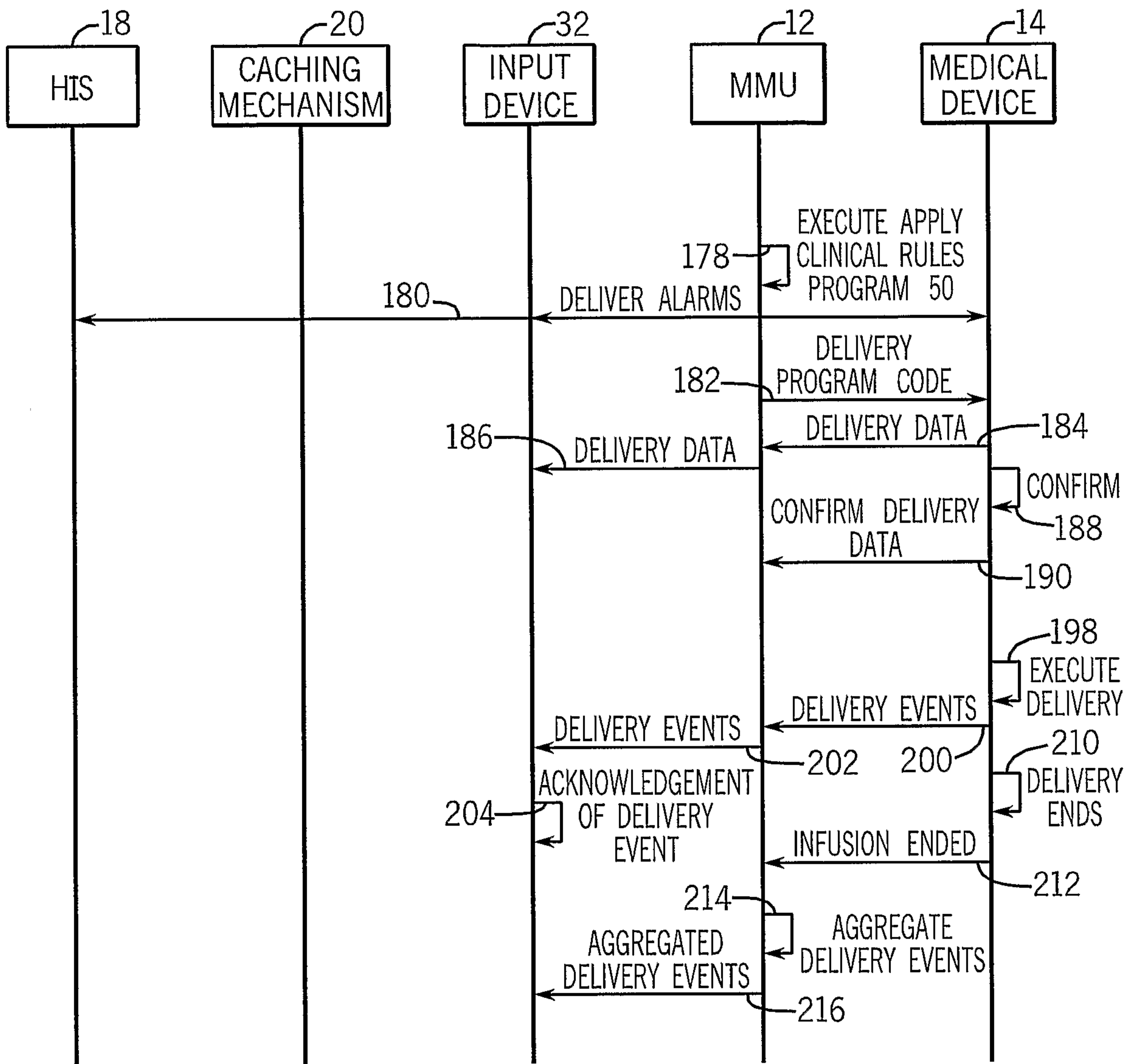


FIG. 6A

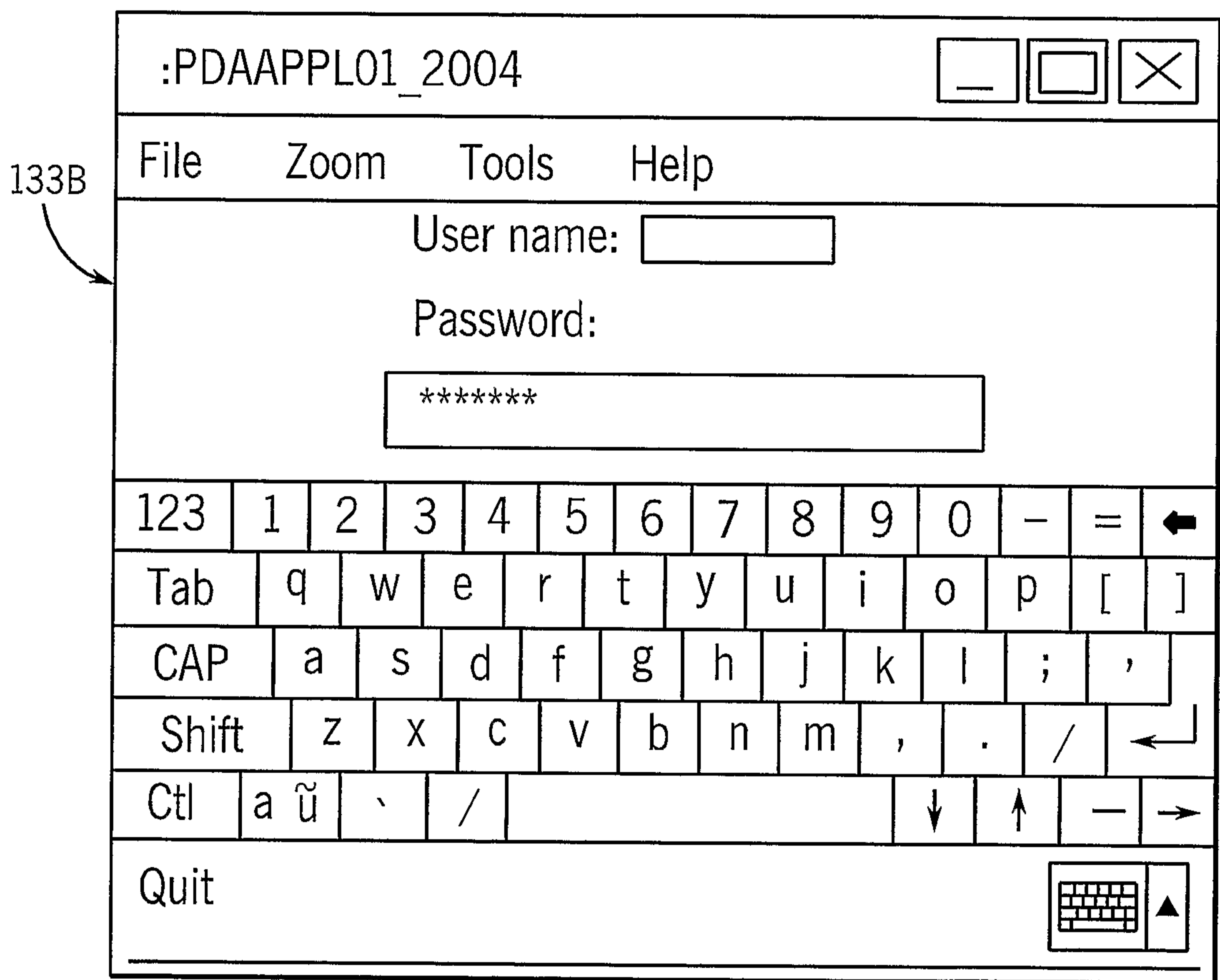


FIG. 7

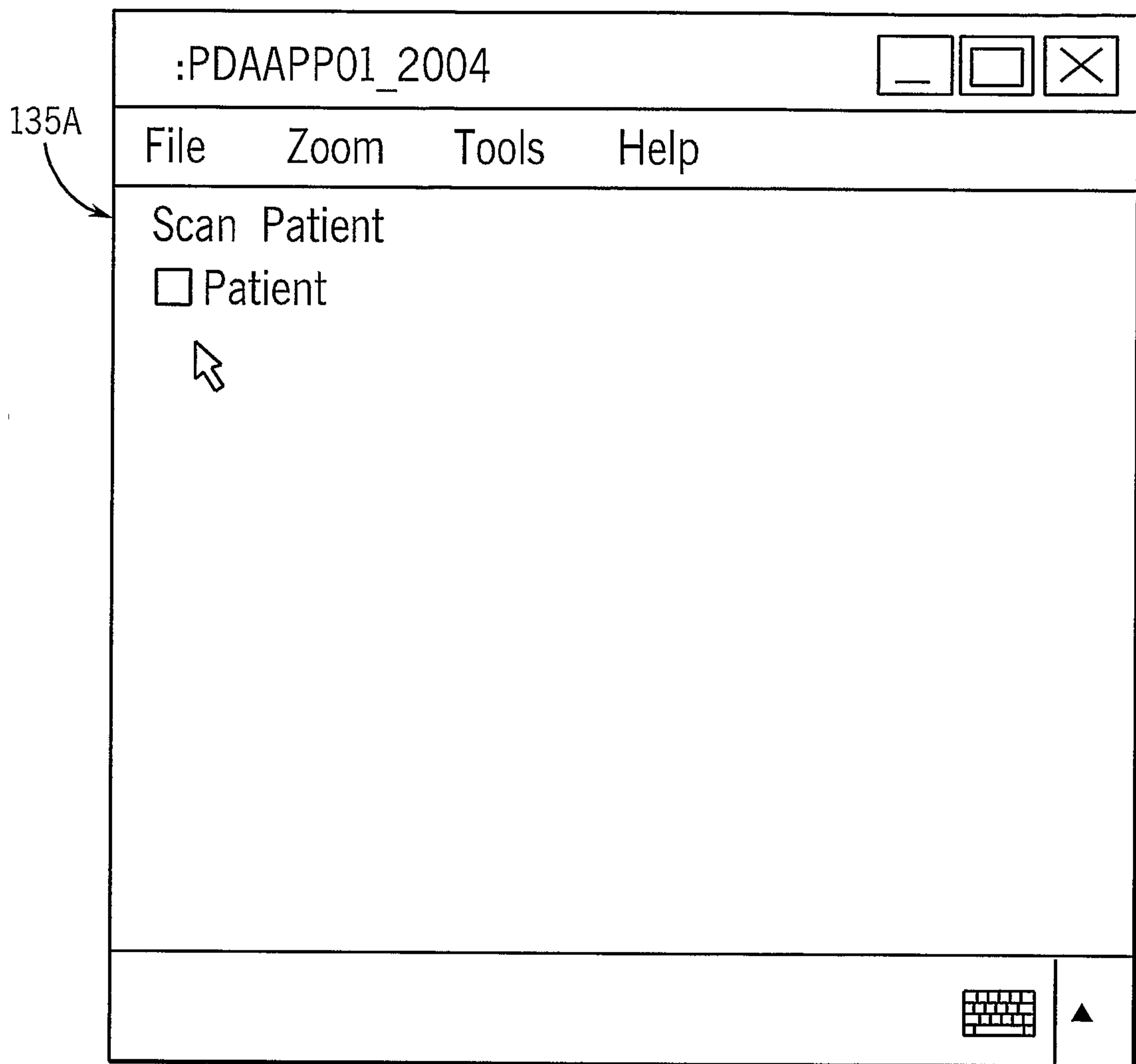


FIG. 8

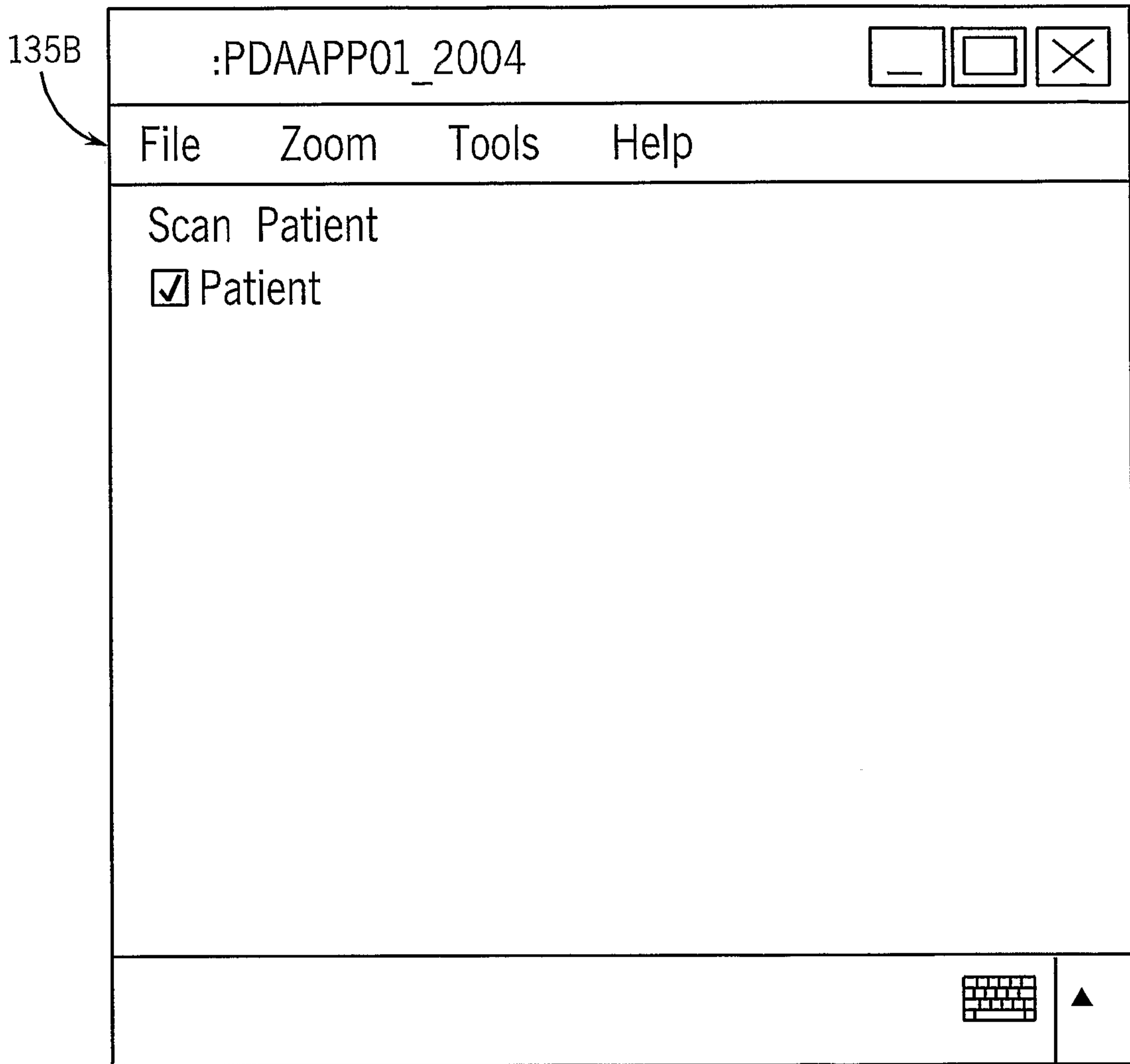


FIG. 9

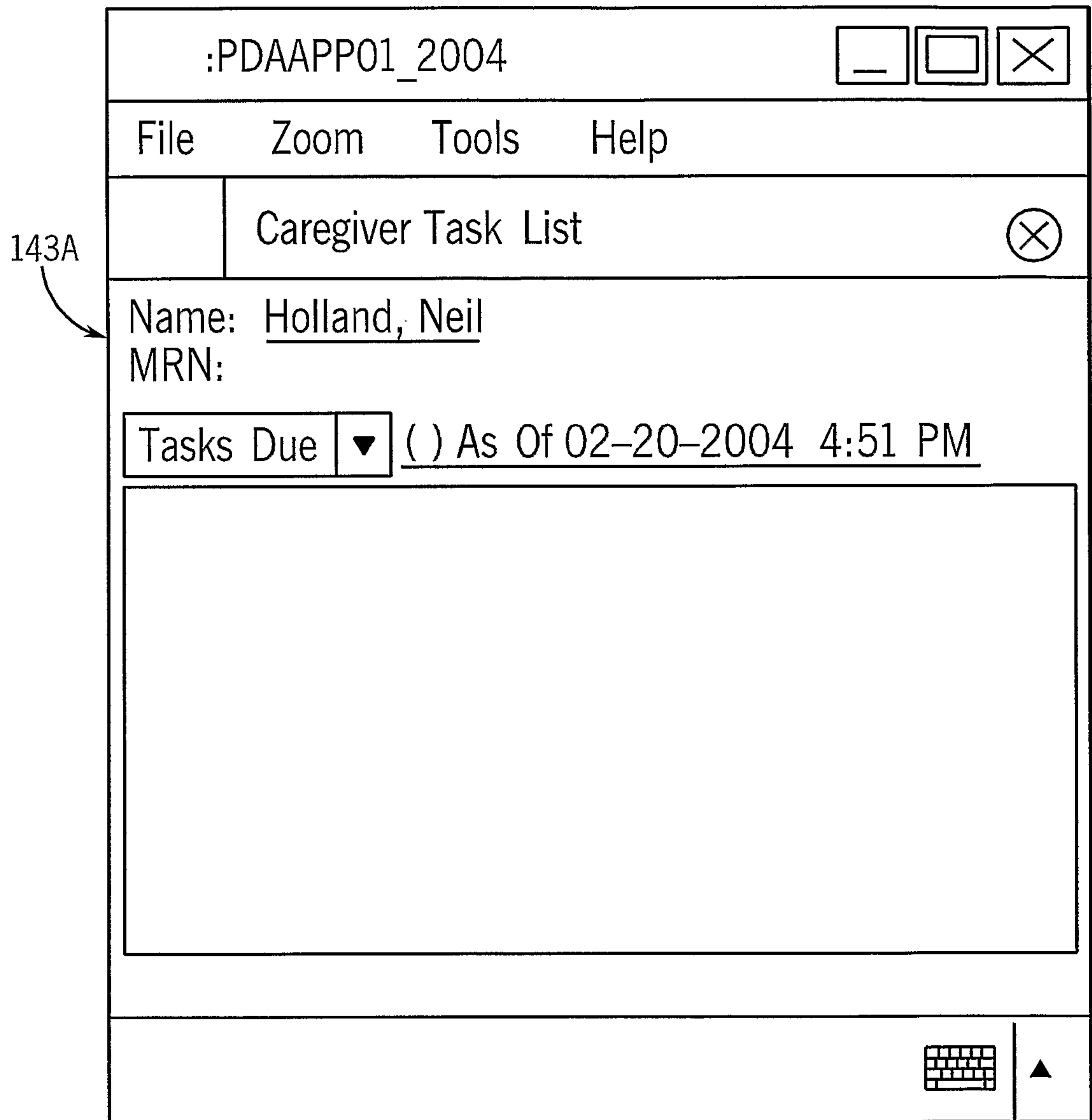


FIG. 10

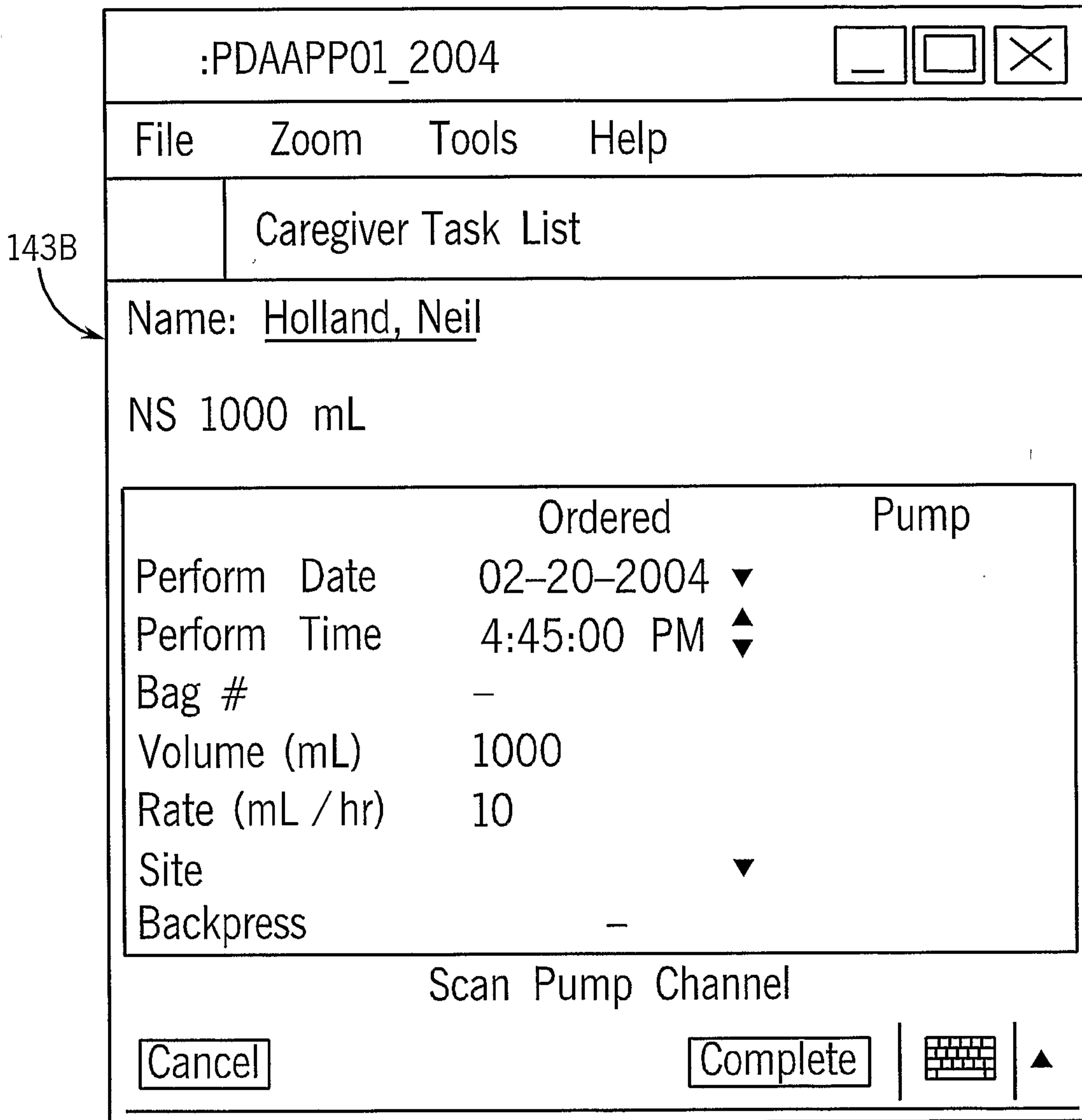


FIG. 11

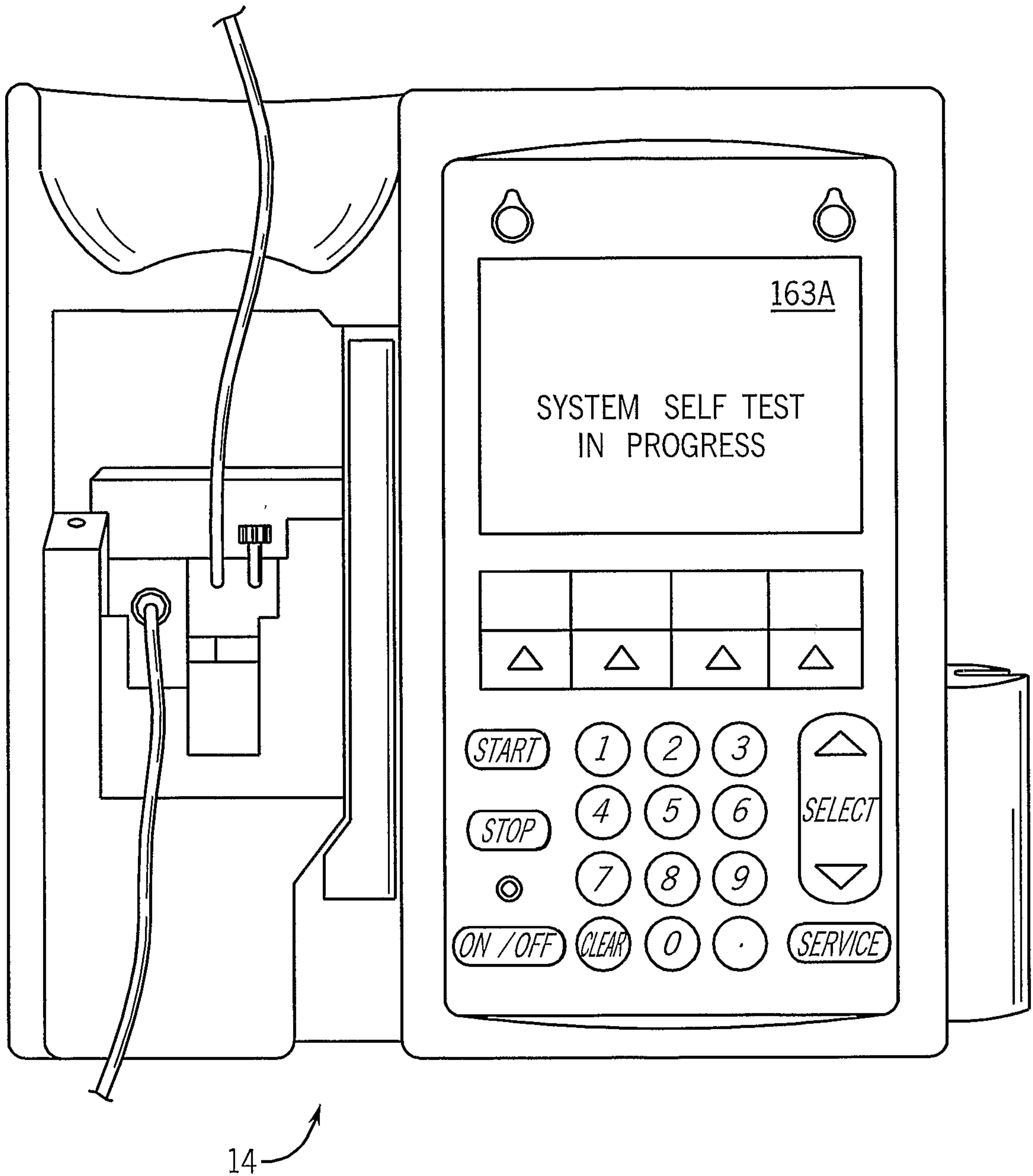


FIG. 12

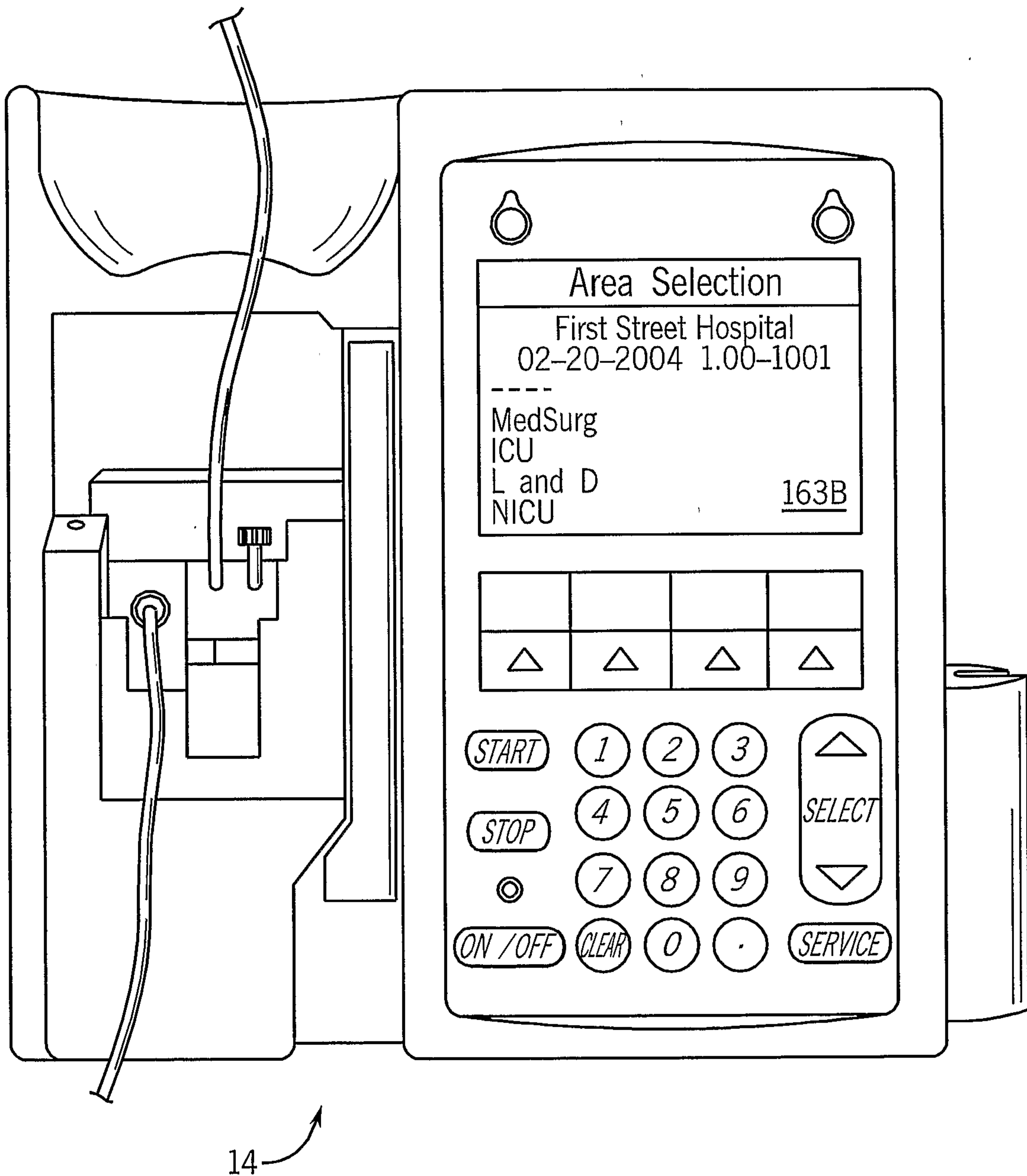


FIG. 13

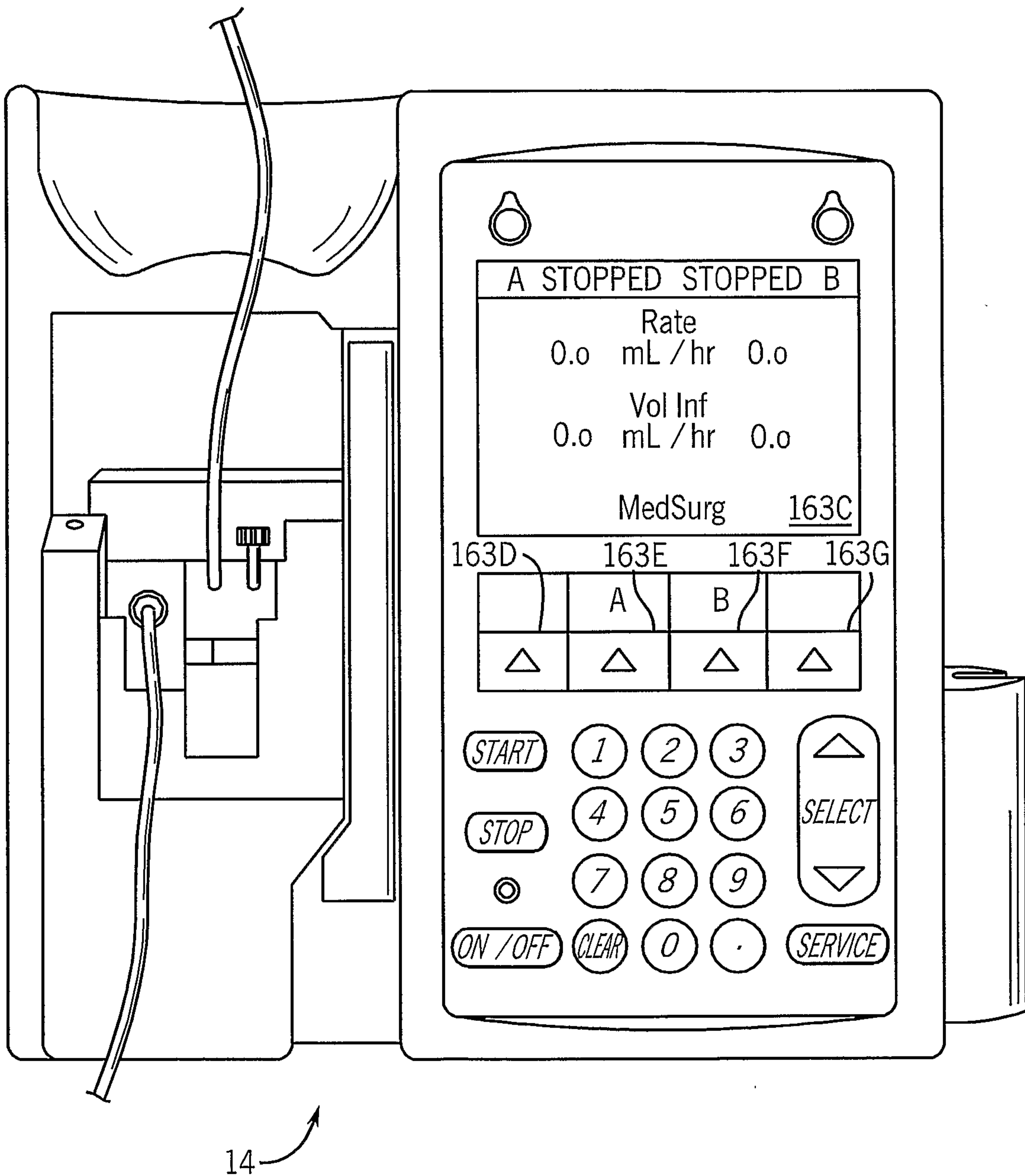


FIG. 14

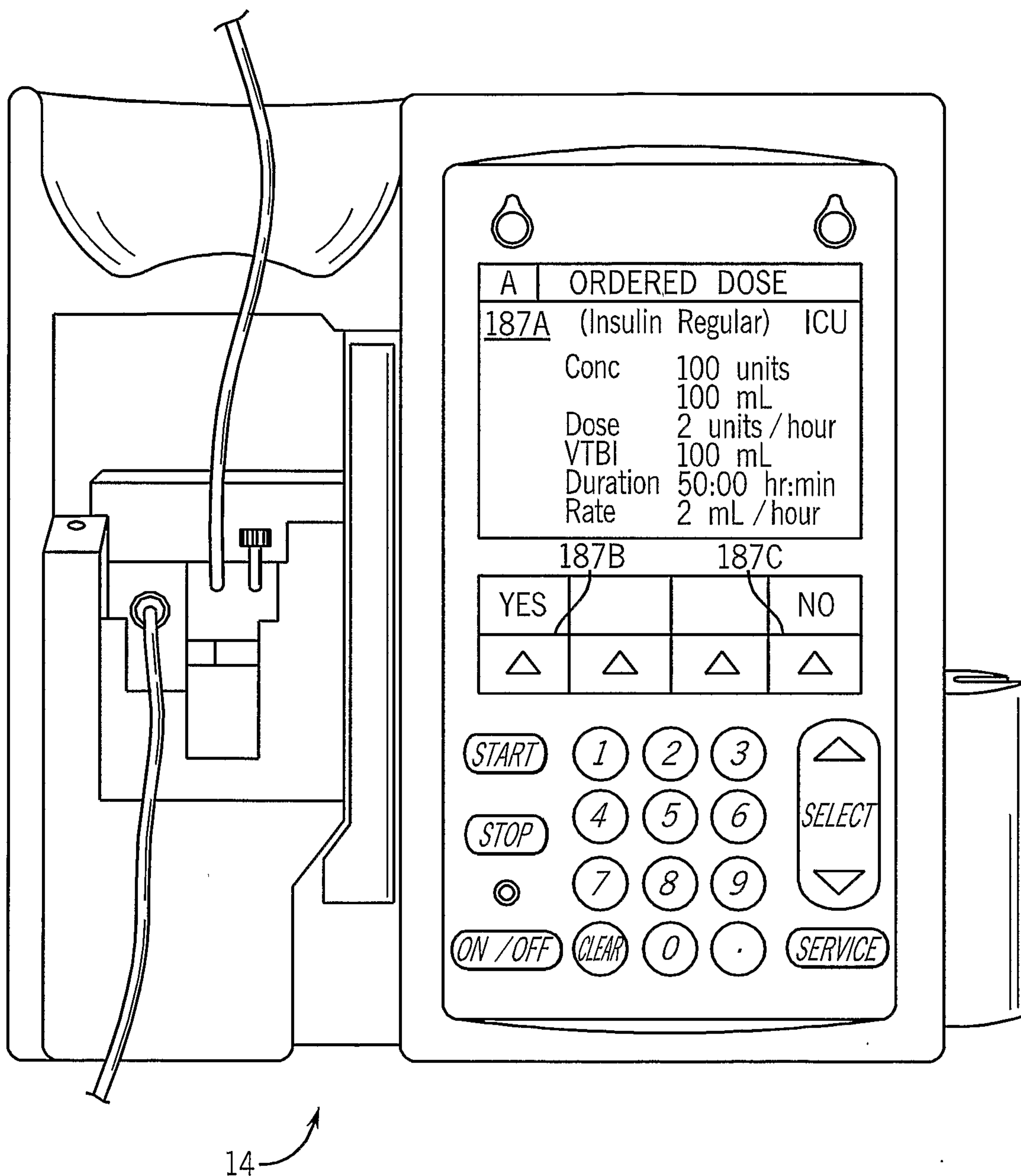


FIG. 15

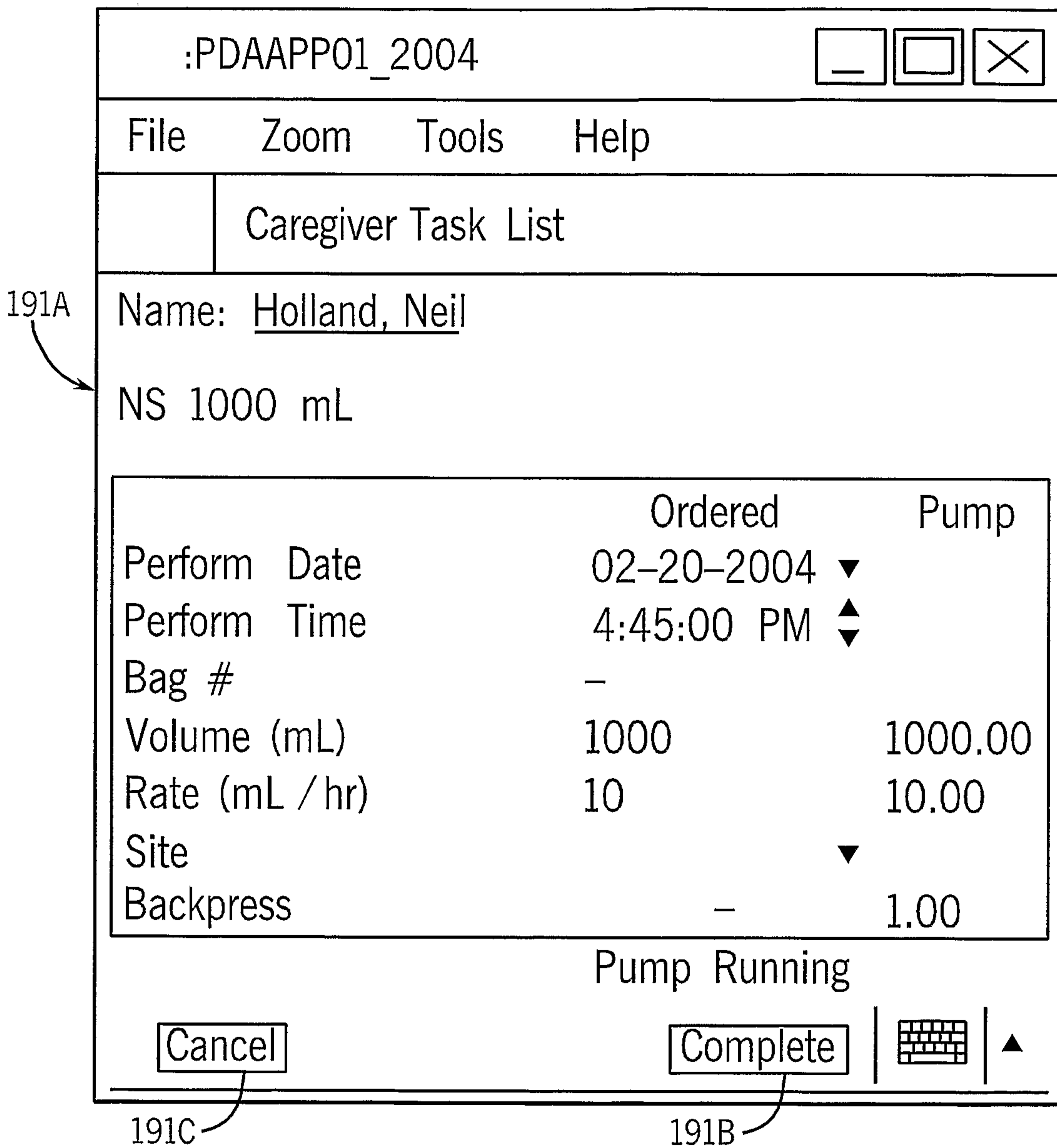


FIG. 16

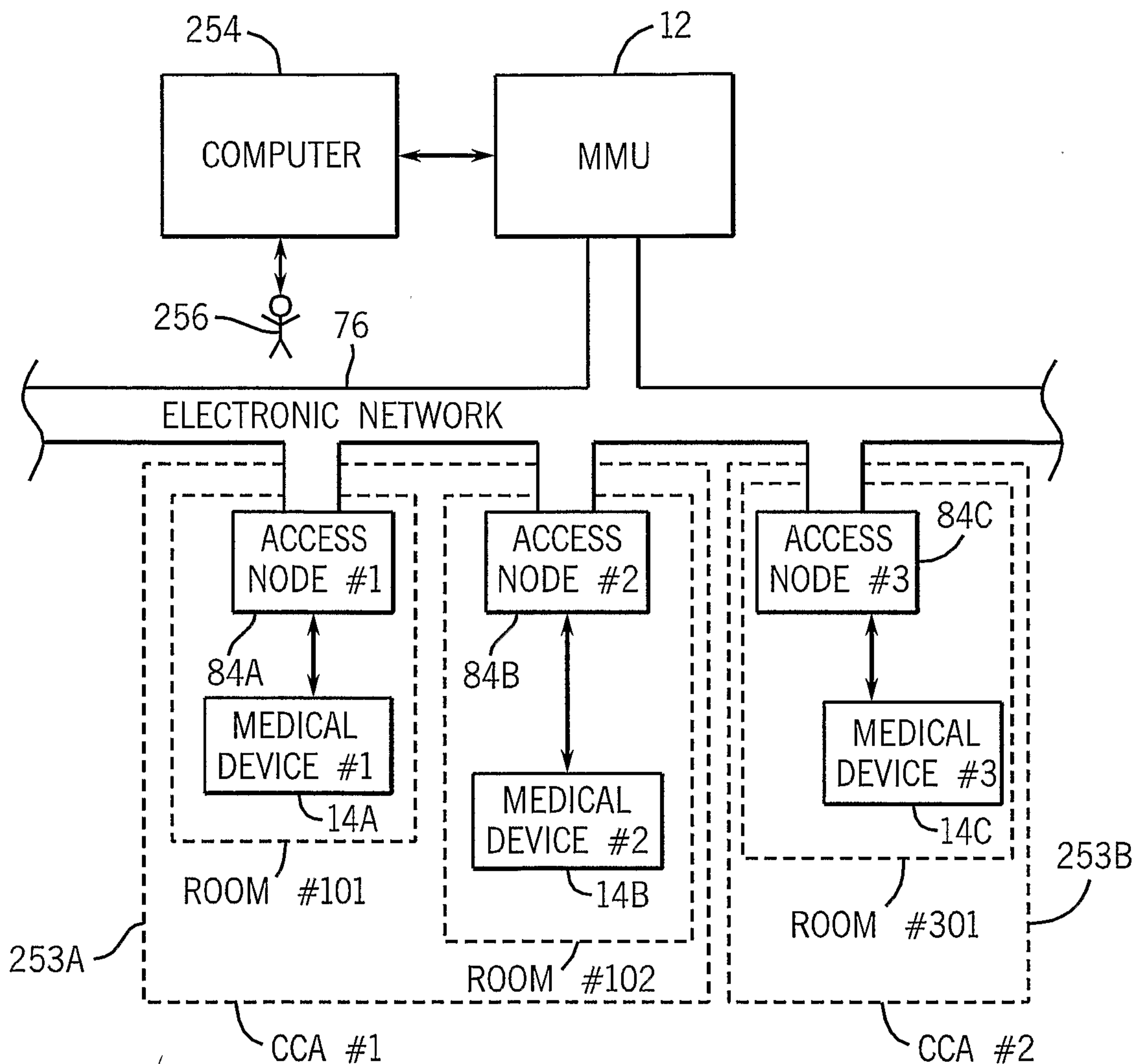


FIG. 17

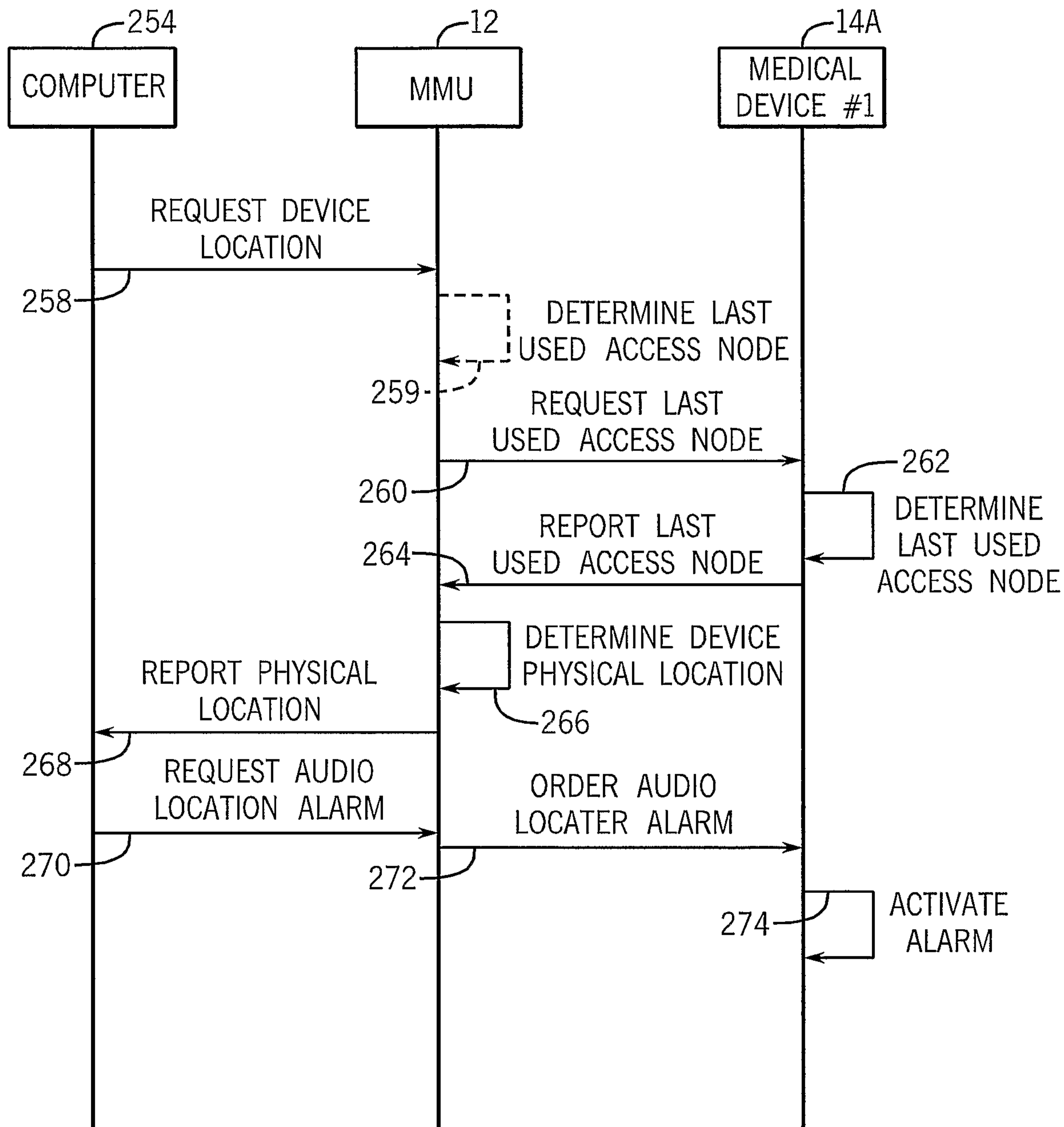


FIG. 18

23 / 33

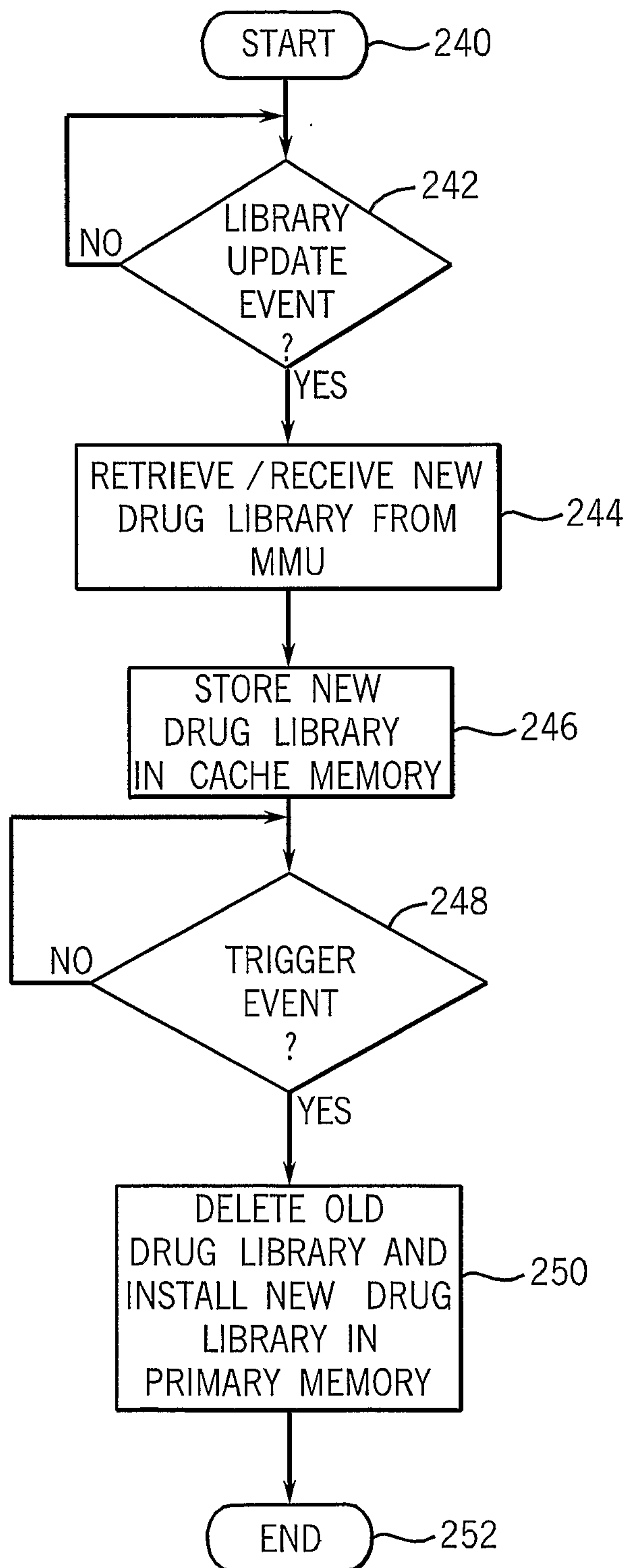


FIG. 19

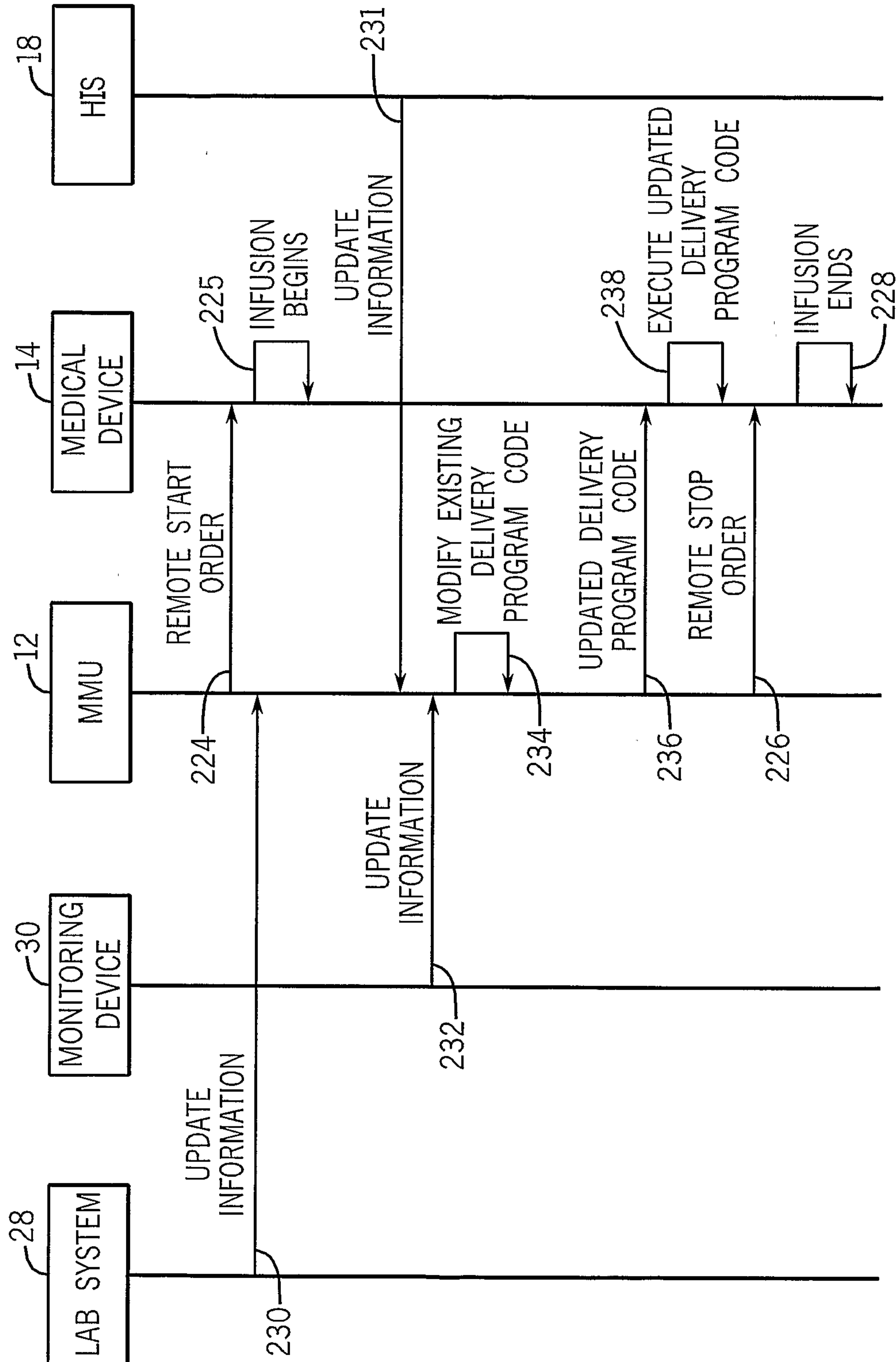


FIG. 20

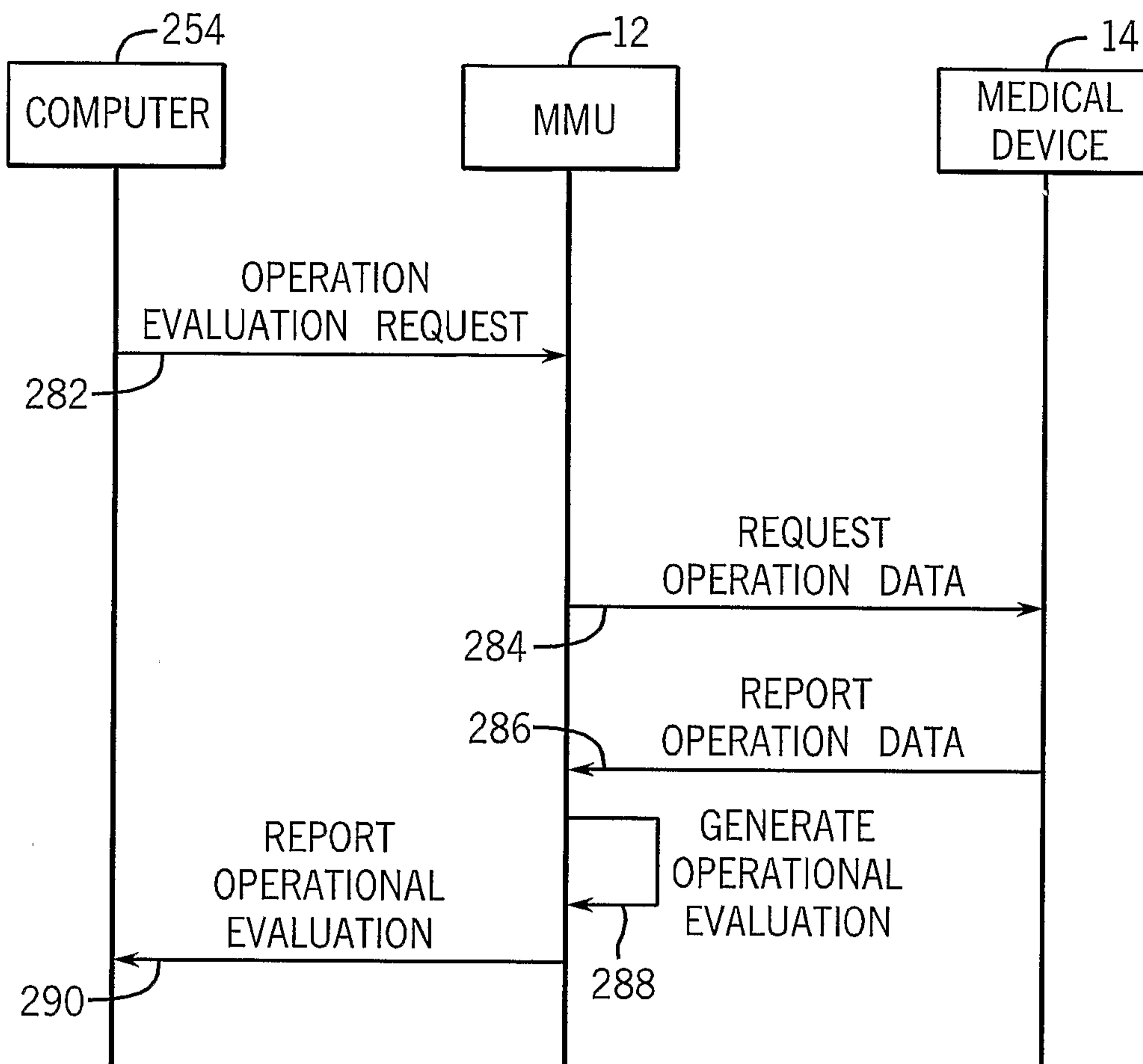
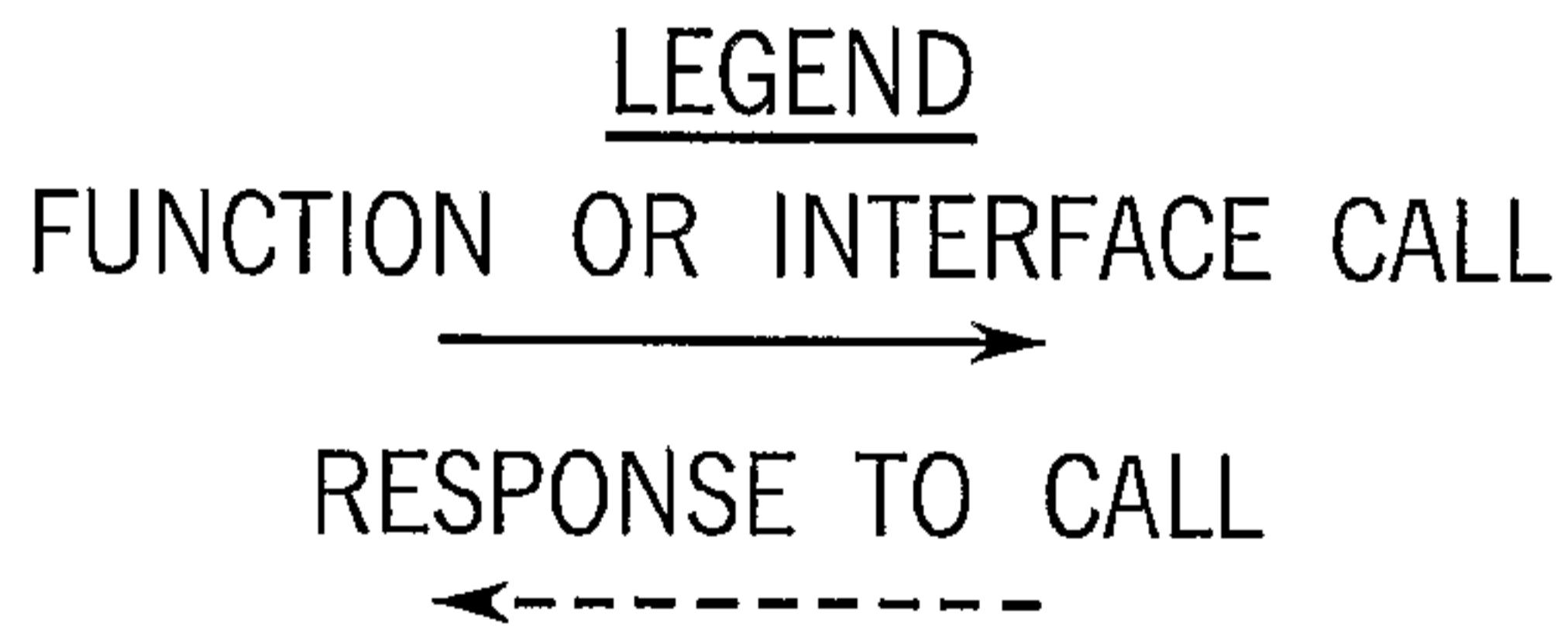


FIG. 22



27 / 33

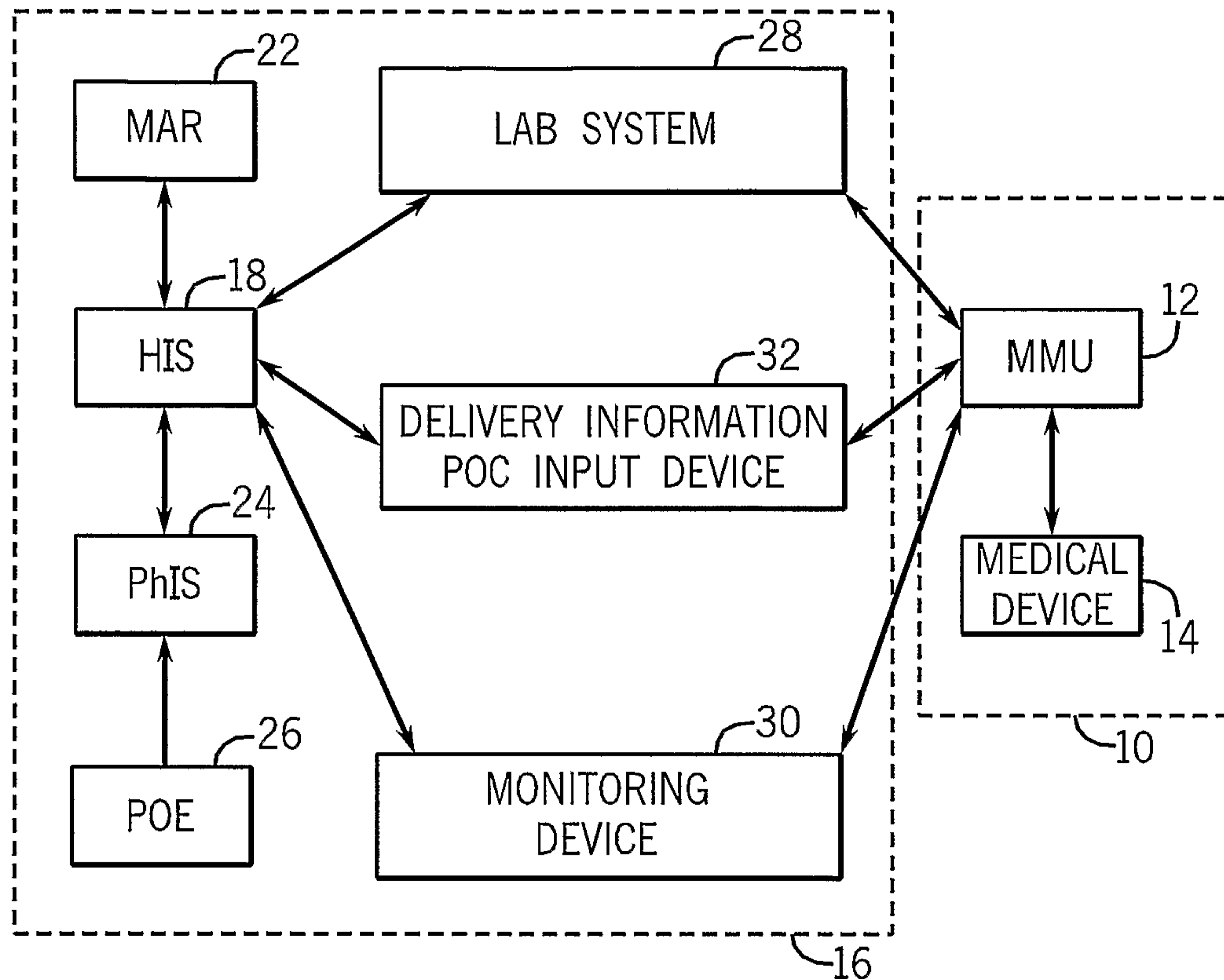


FIG. 23

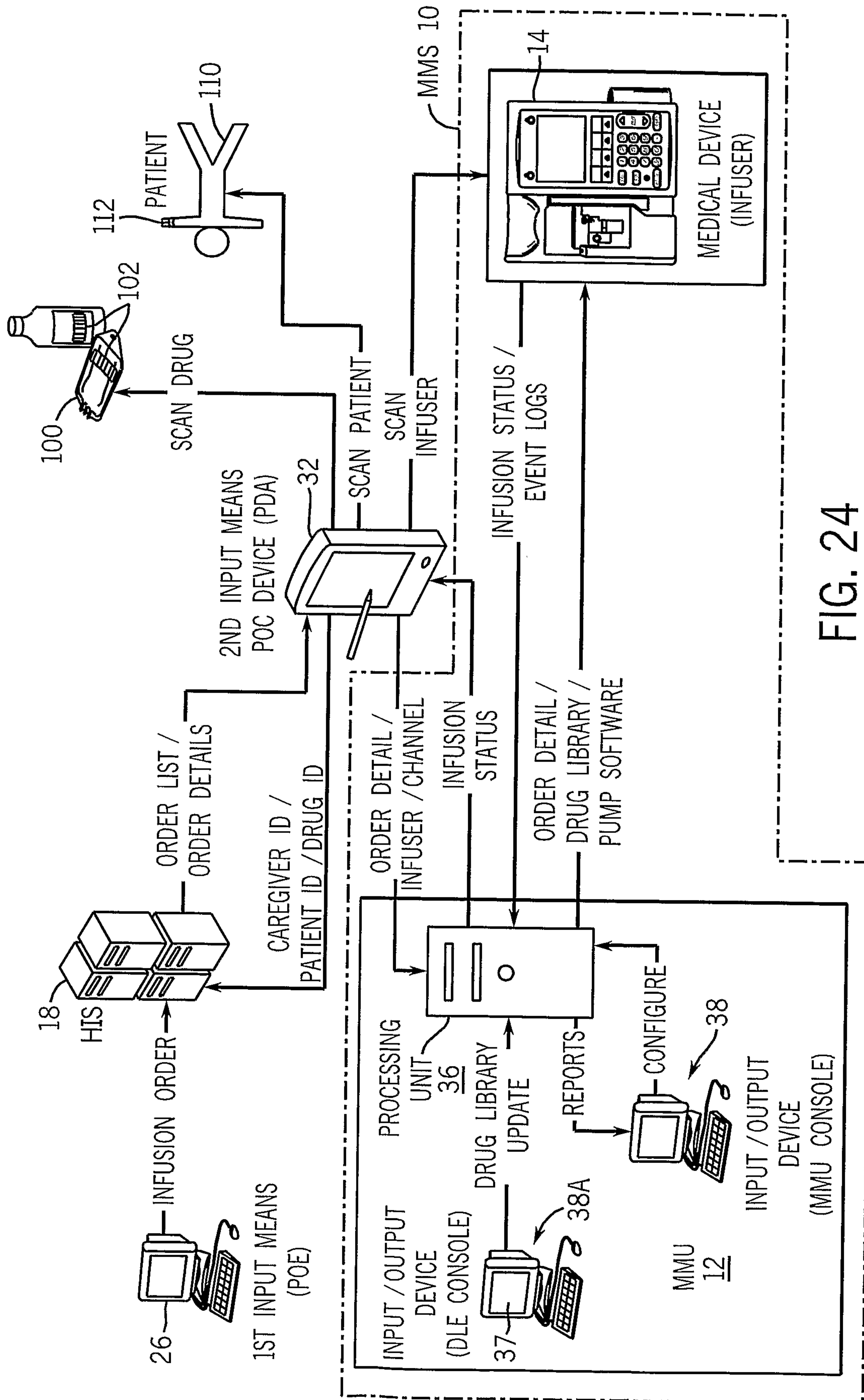


FIG. 24

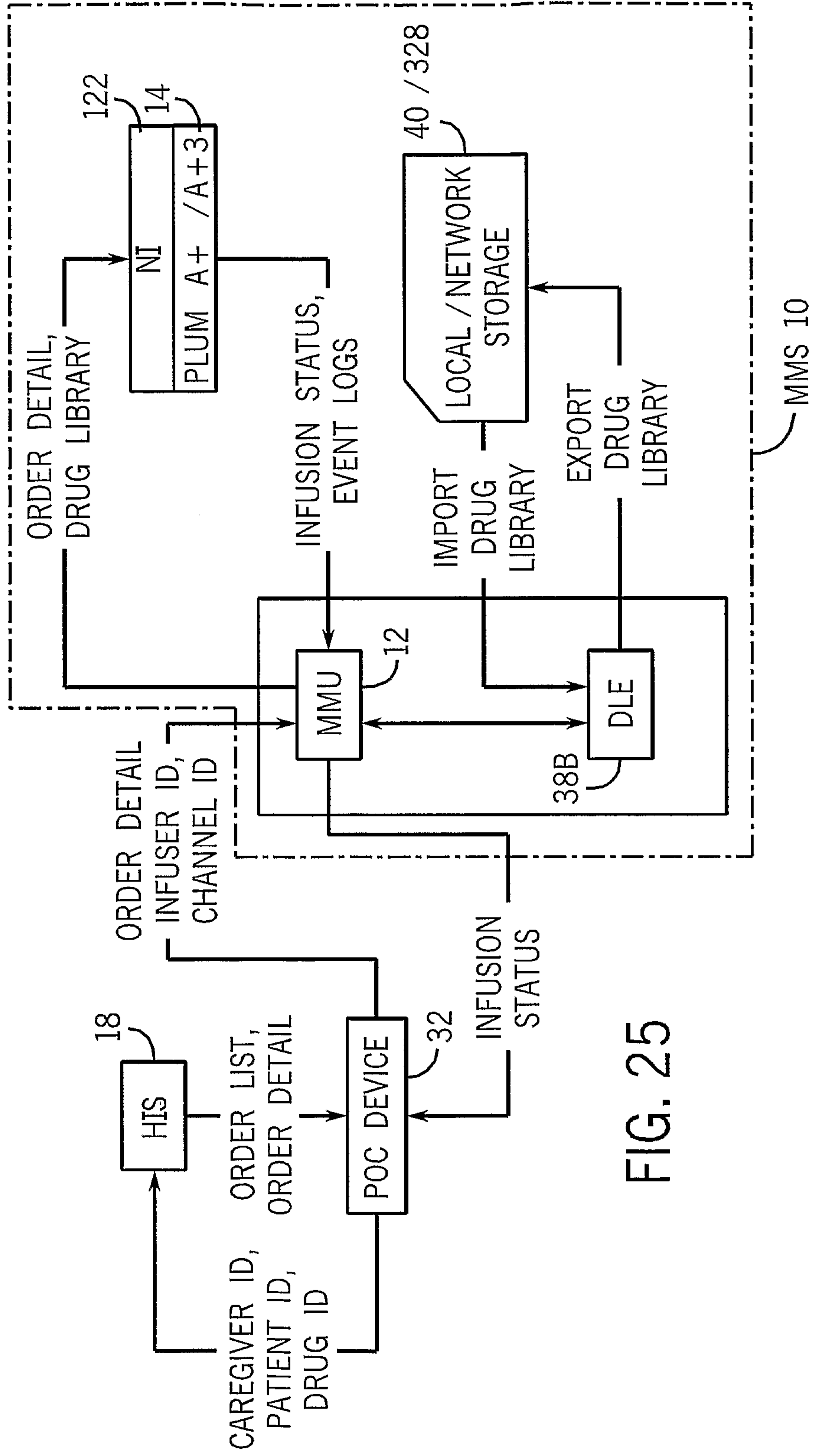


FIG. 25

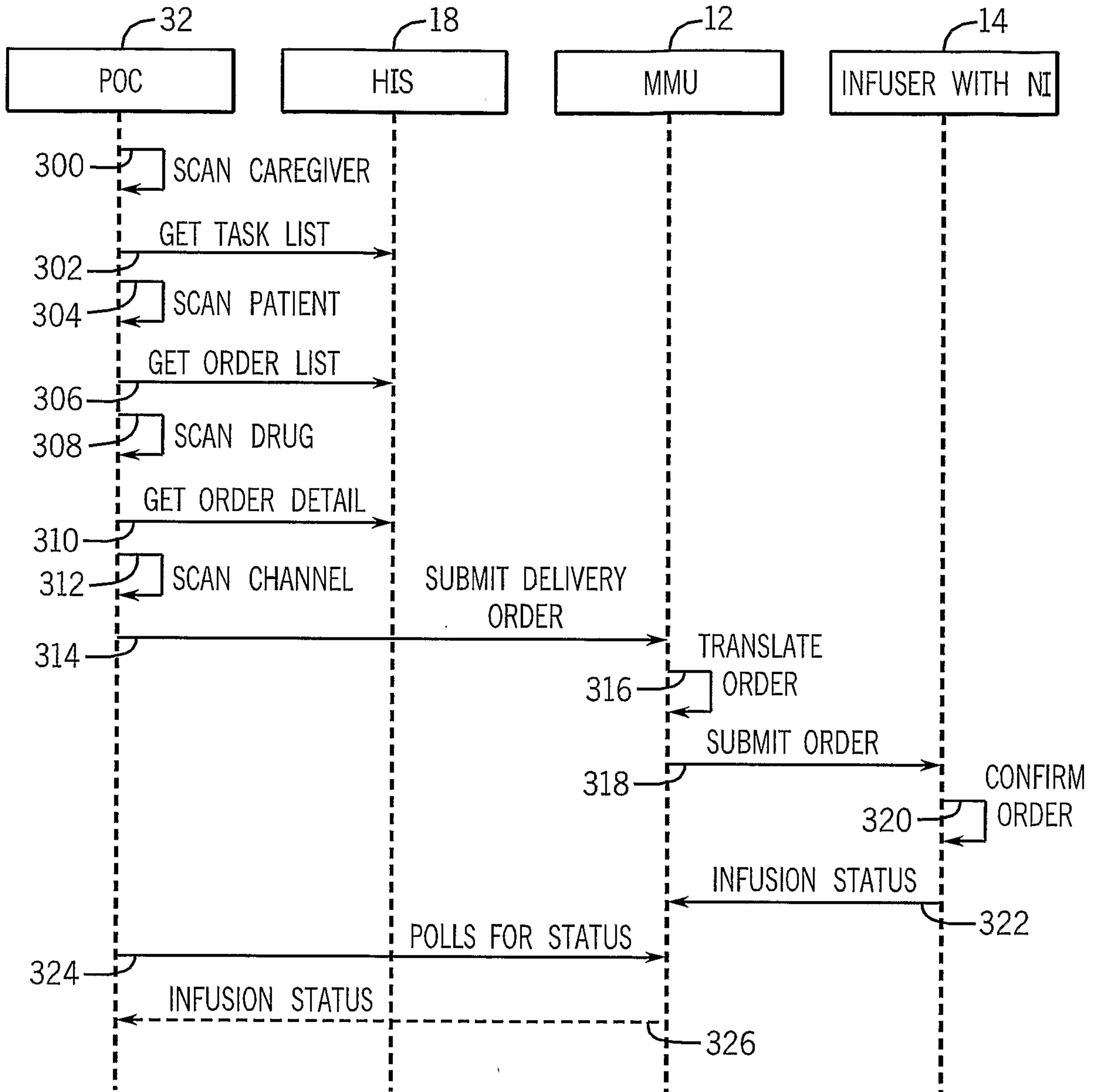
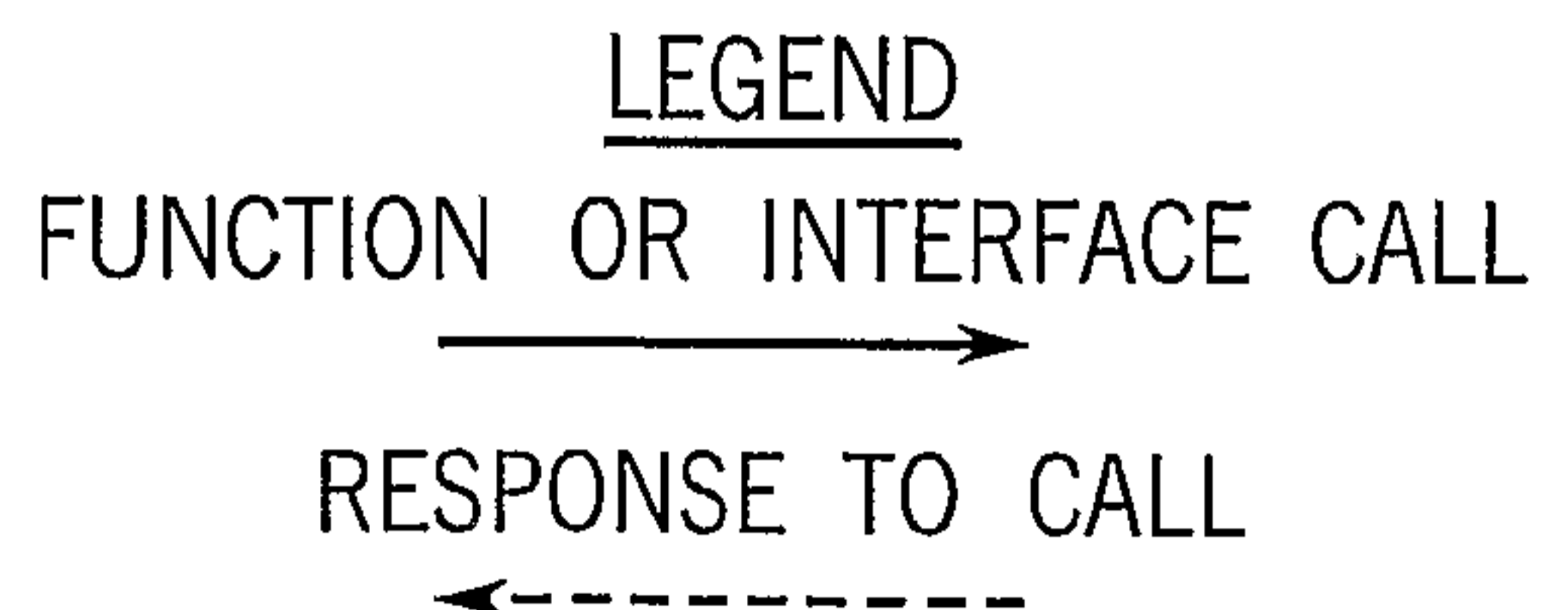


FIG. 26



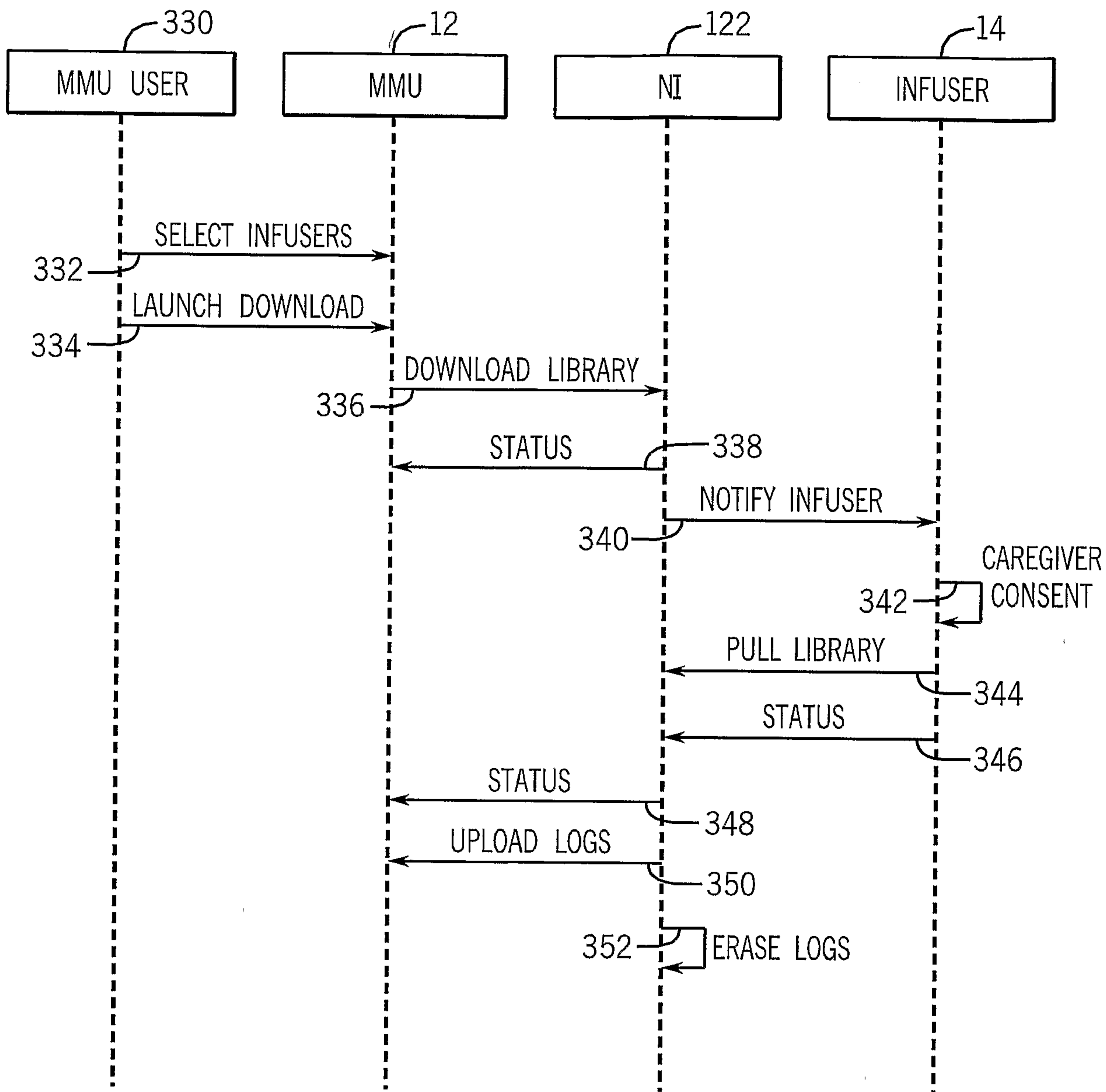
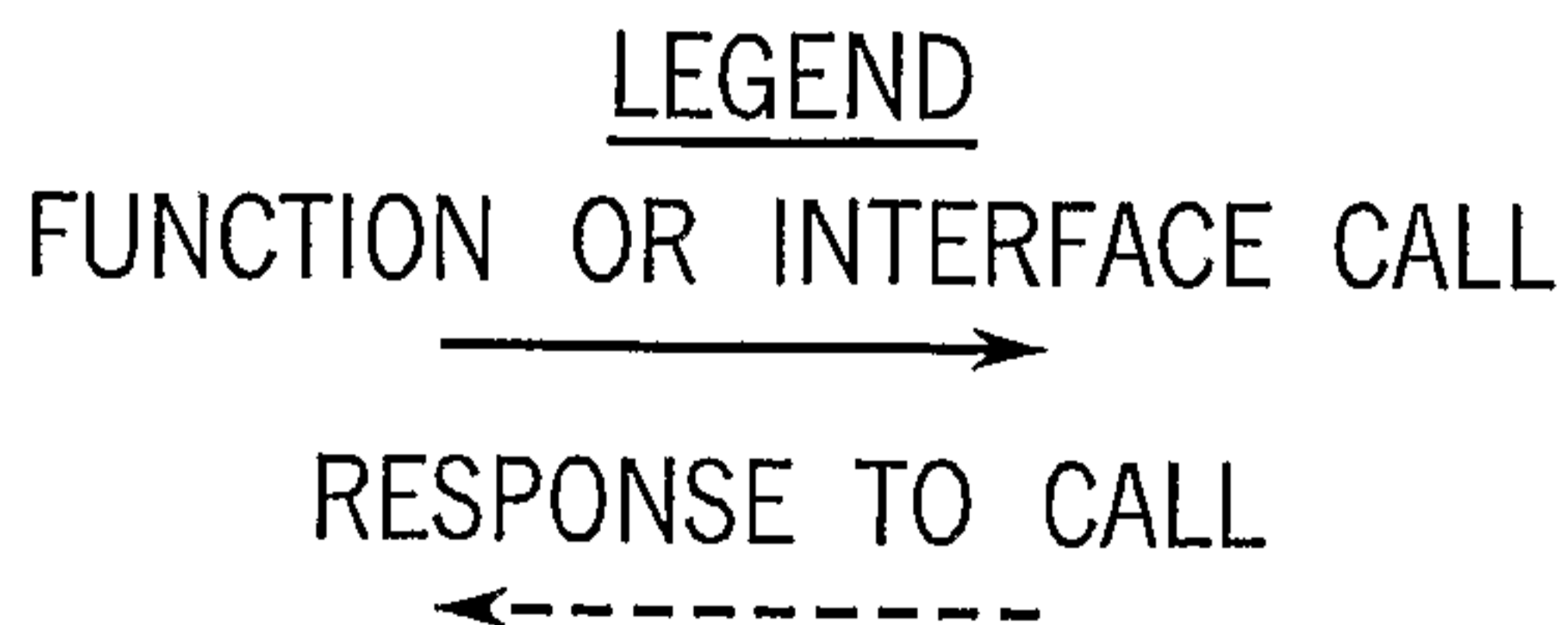
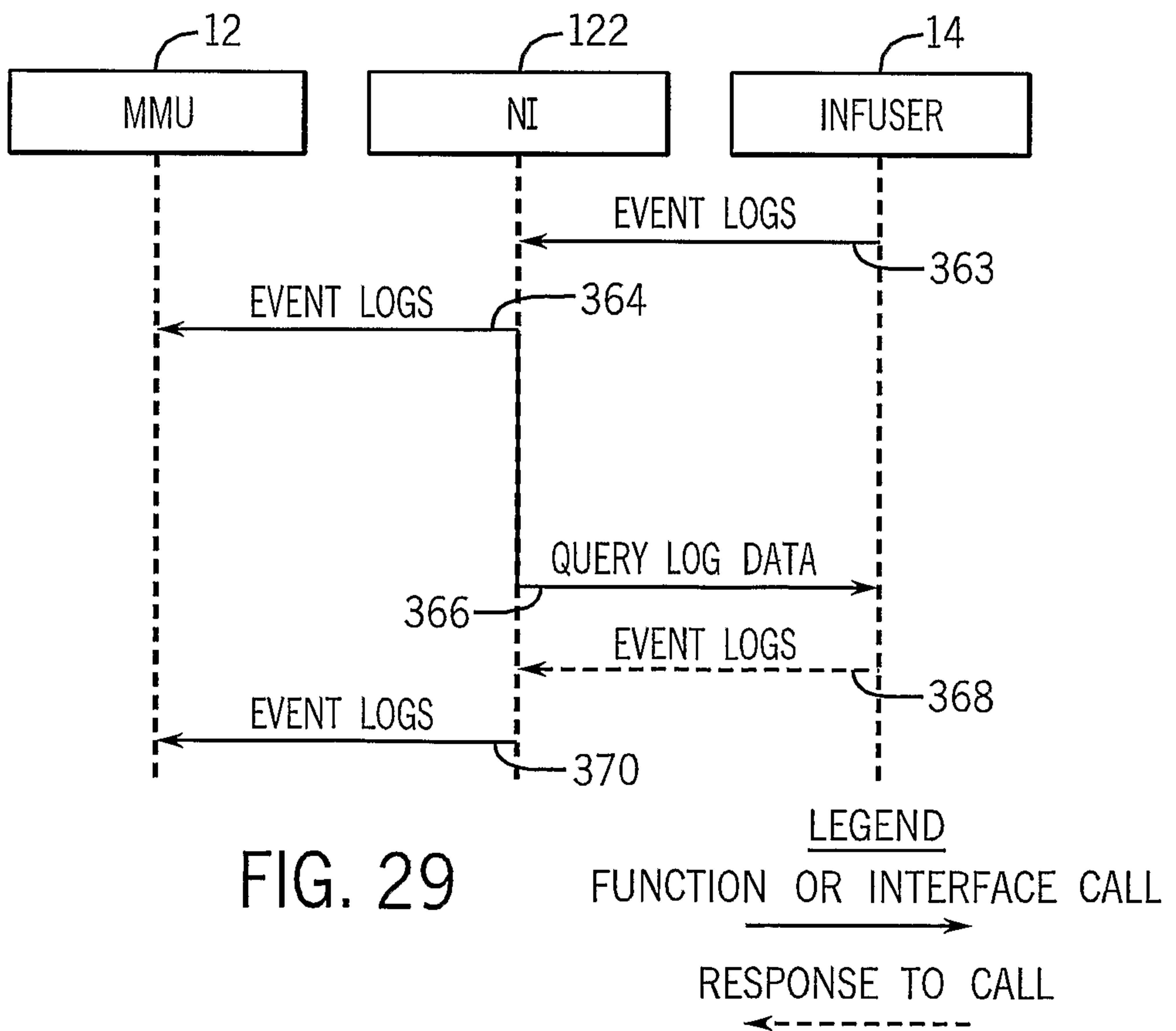
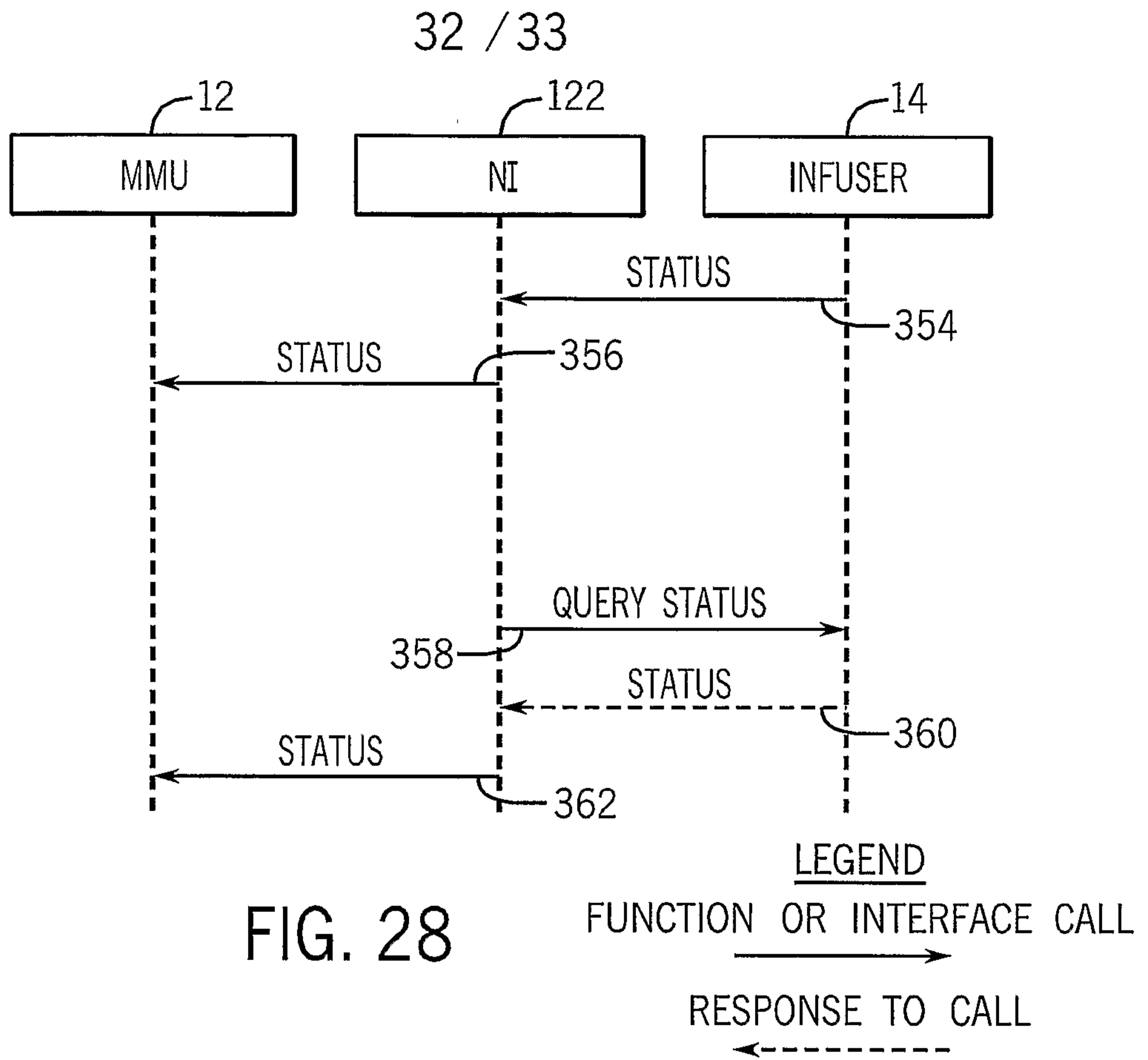


FIG. 27





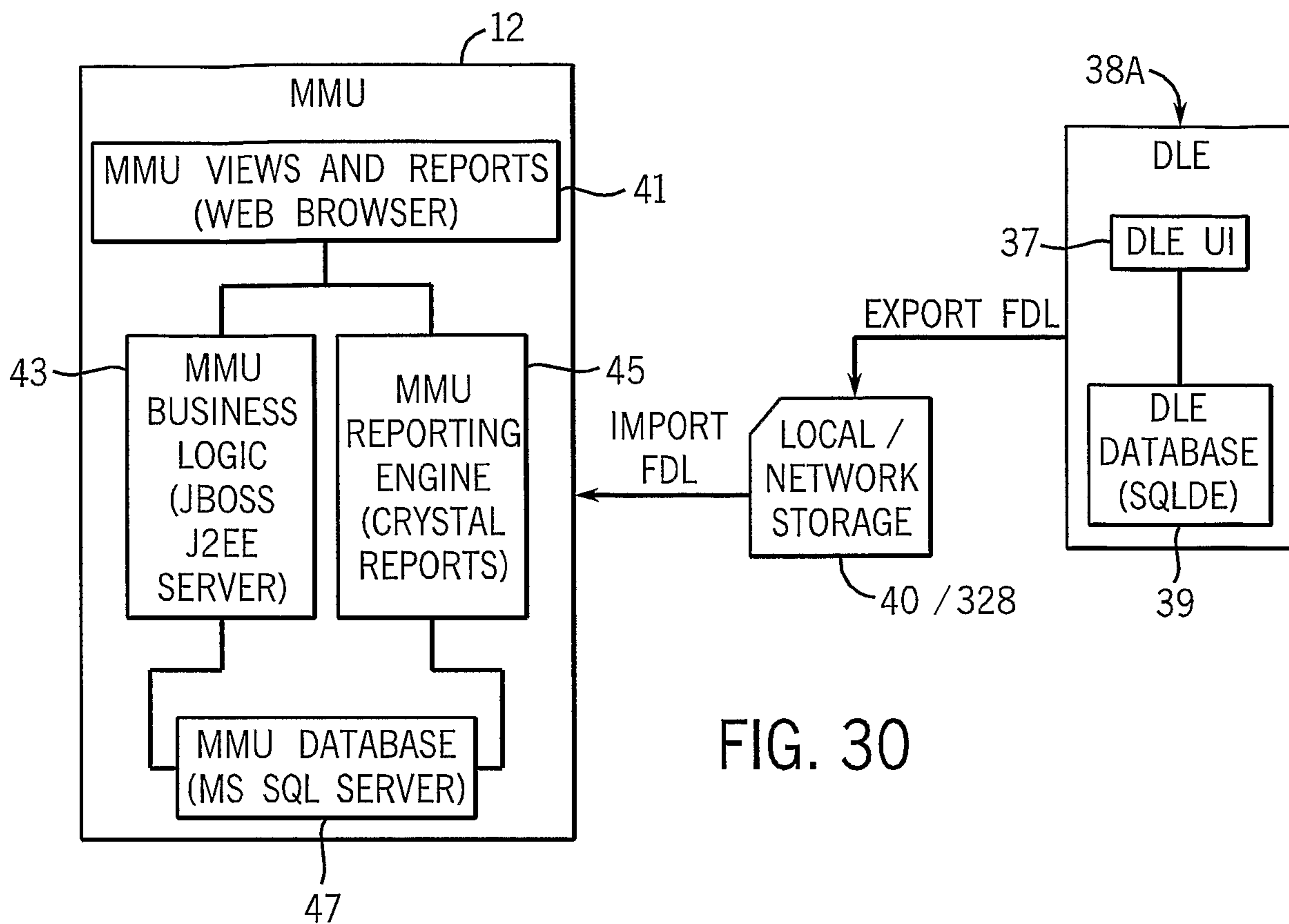


FIG. 30

