



US00D548816S

(12) **United States Design Patent**
Schmon et al.

(10) **Patent No.:** **US D548,816 S**

(45) **Date of Patent:** **** Aug. 14, 2007**

(54) **PAINT SPRAY GUN**

(75) Inventors: **Ewald Schmon**, Grafenberg (DE);
Albrecht Kruse, Stuttgart (DE)

(73) Assignee: **SATA GmbH & Co. KG.**,
Kornwestheim (DE)

(**) Term: **14 Years**

(21) Appl. No.: **29/252,735**

(22) Filed: **Jan. 26, 2006**

(30) **Foreign Application Priority Data**

Jul. 28, 2005 (EM) 000378815

(51) **LOC (8) CL.** **26-01**

(52) **U.S. CL.** **D23/226**

(58) **Field of Classification Search** D23/223,
D23/226; 239/525-6, 690-1, DIG. 14
See application file for complete search history.

(56) **References Cited**

U.S. PATENT DOCUMENTS

D305,057 S * 12/1989 Morgan D23/226
D314,421 S * 2/1991 Tajima et al. D23/226
D405,503 S * 2/1999 Endo D23/226

D409,719 S * 5/1999 Kaneko D23/226
6,585,173 B2 * 7/2003 Schmon et al. 239/526
6,626,382 B1 * 9/2003 Liu 239/569
7,017,838 B2 * 3/2006 Schmon 239/526

* cited by examiner

Primary Examiner—Robin Webster

(74) *Attorney, Agent, or Firm*—Martin Fleit; Paul D. Bianco; Fleit Kain Gibbons Gutman Bongini & Bianco, P.L.

(57) **CLAIM**

The ornamental design for a paint spray gun, as shown and described.

DESCRIPTION

FIG. 1 is a front perspective view of a paint spray gun of the subject invention;

FIG. 2 is a first side view thereof;

FIG. 3 is a second side view thereof;

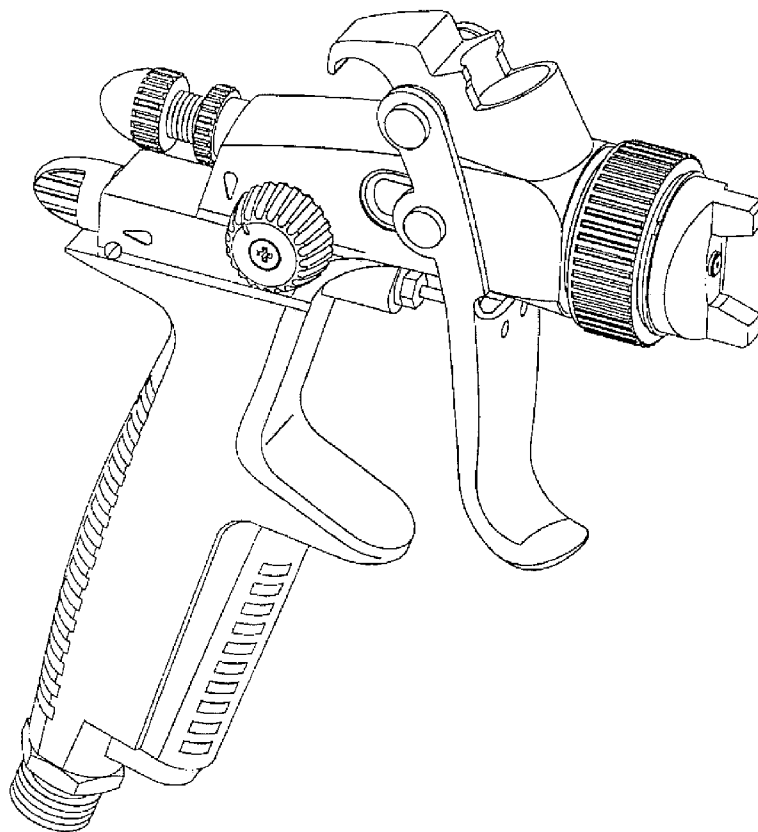
FIG. 4 is a front view thereof;

FIG. 5 is a rear view thereof;

FIG. 6 is a bottom view thereof; and,

FIG. 7 is a top view thereof.

1 Claim, 6 Drawing Sheets



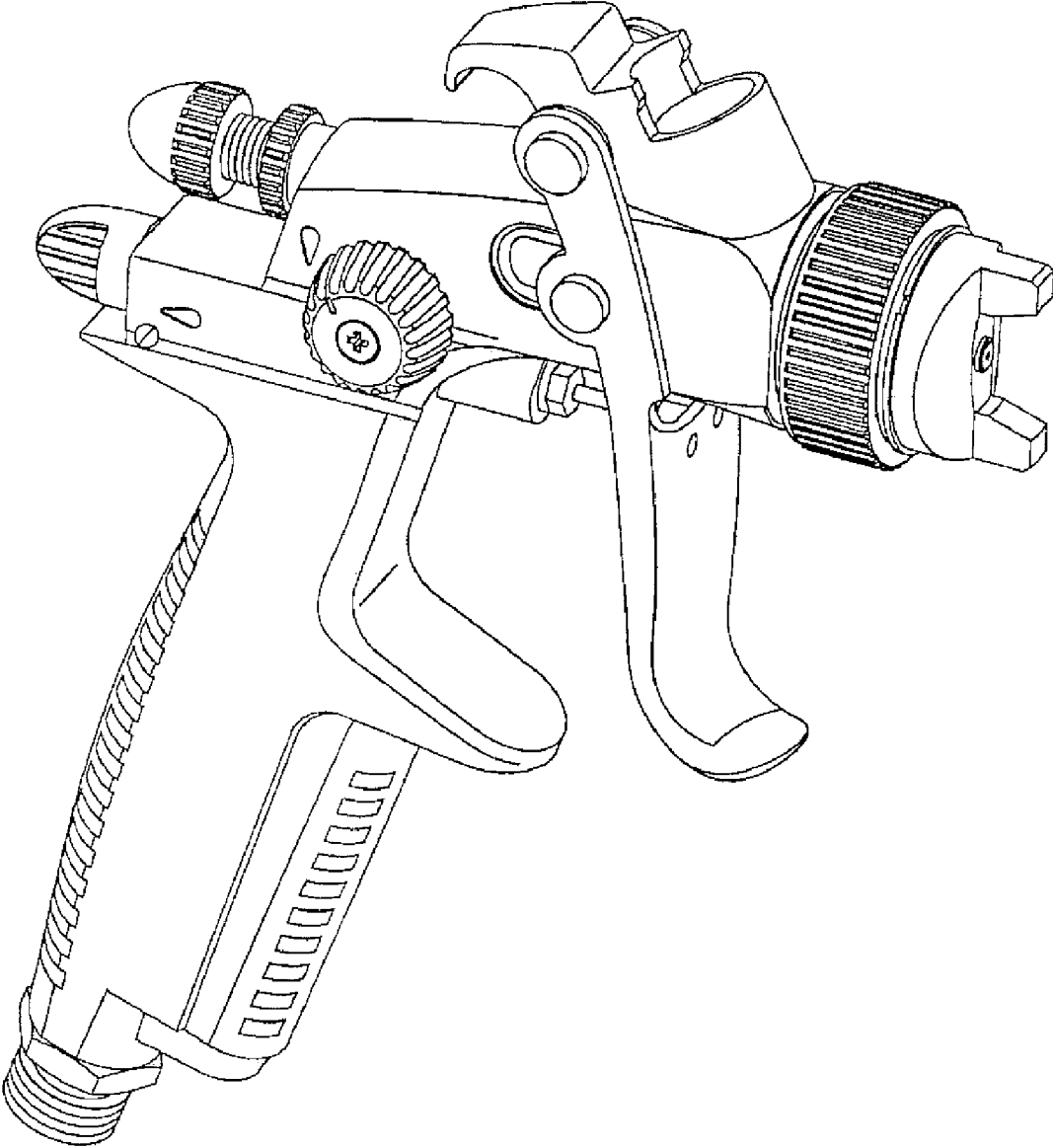


FIG. 1

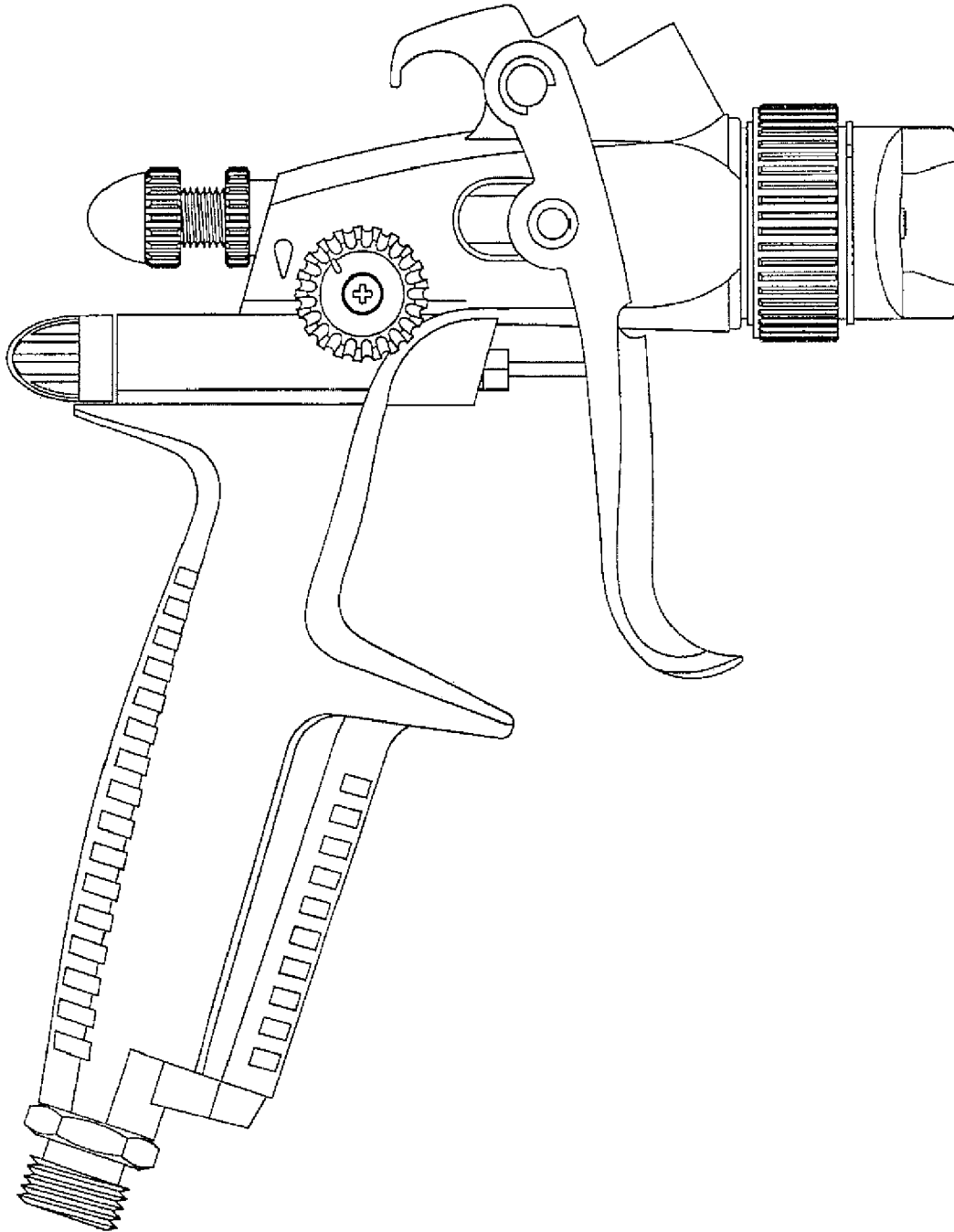


FIG. 2

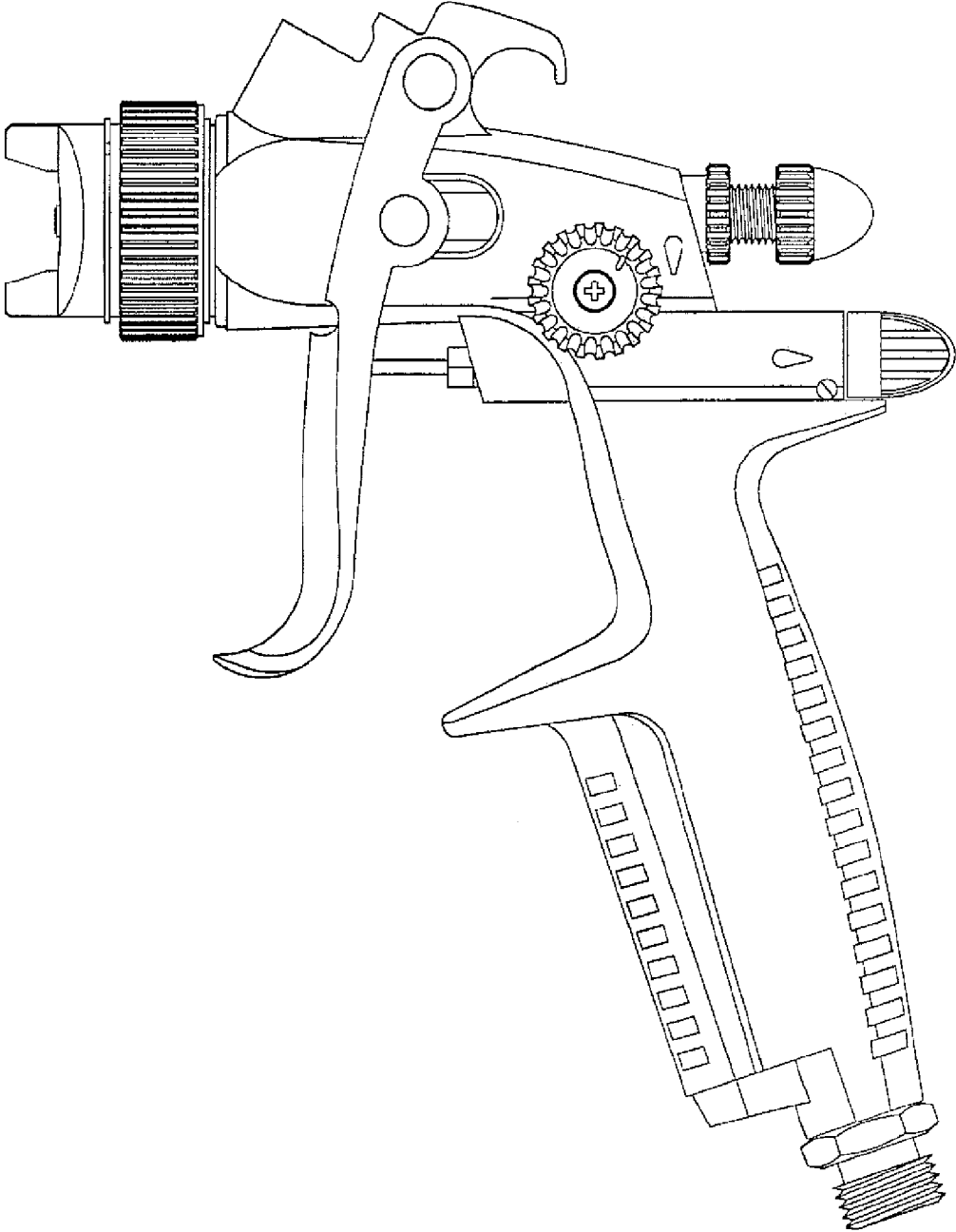


FIG. 3

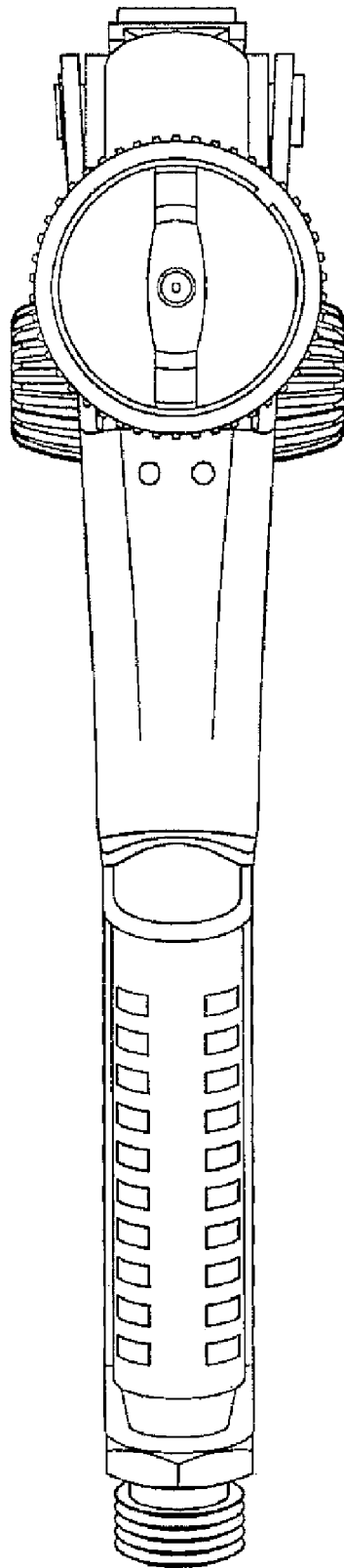


FIG. 4

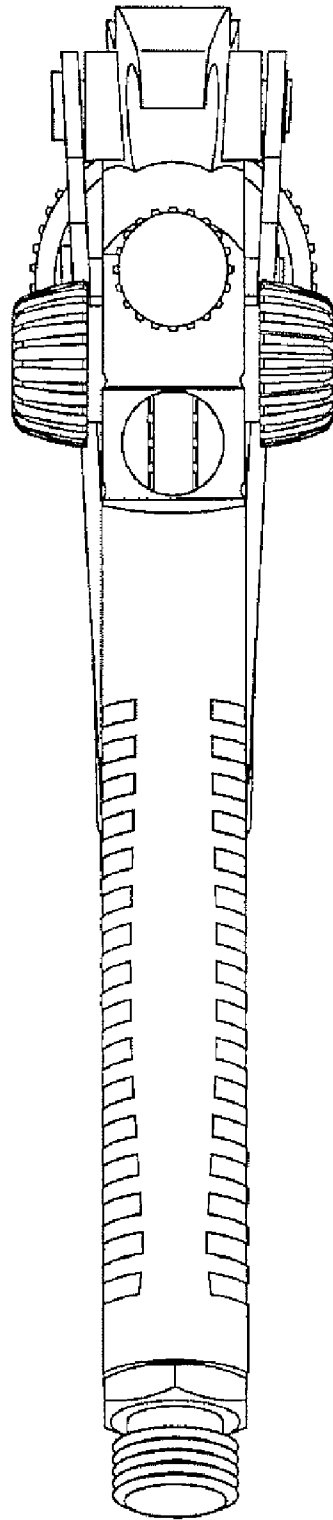


FIG. 5

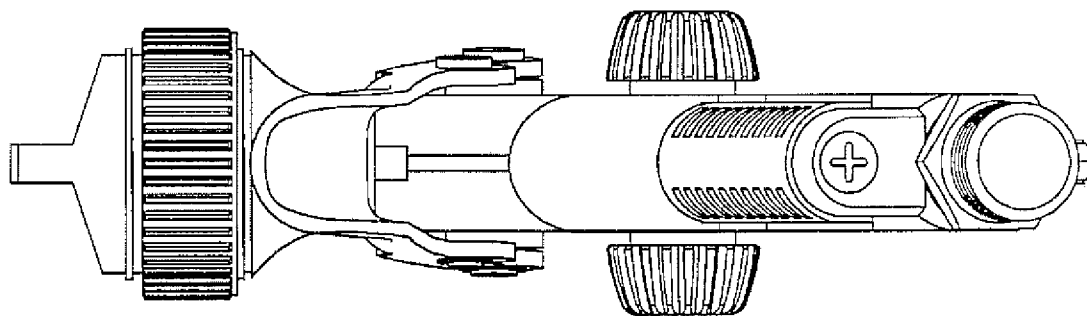


FIG. 6

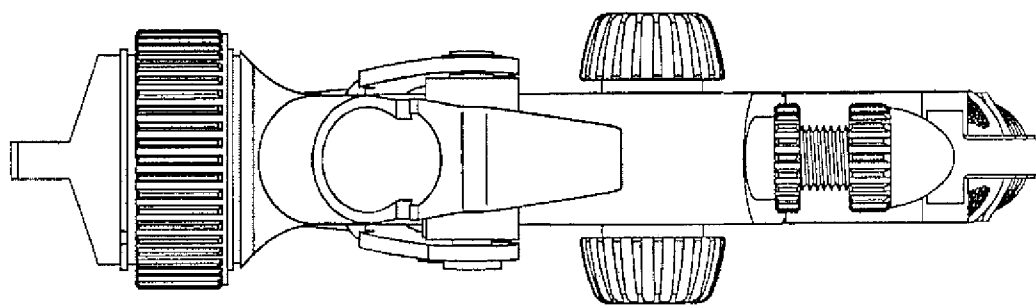


FIG. 7