



US00D587062S

(12) **United States Design Patent**
Ek

(10) **Patent No.:** **US D587,062 S**

(45) **Date of Patent:** **** Feb. 24, 2009**

(54) **SAUCEPAN**

(75) Inventor: **Peter Ek**, Jarfalla (SE)

(73) Assignee: **OBH Nordica Holding A/S**, Taastrup (DK)

(**) Term: **14 Years**

(21) Appl. No.: **29/300,757**

(22) Filed: **May 6, 2008**

(30) **Foreign Application Priority Data**

Aug. 11, 2007	(EM)	000822879-001
Aug. 11, 2007	(EM)	000822879-002
Aug. 11, 2007	(EM)	000822879-003

(51) **LOC (9) Cl.** **07-02**

(52) **U.S. Cl.** **D7/354**

(58) **Field of Classification Search** **D7/323,**

D7/337, 352-361, 365, 378-379, 383-384,
D7/391-396.1, 402, 542-543, 545, 667;
D10/46.2; 99/140 R, 337, 339, 345, 403,
99/422, 425, 445; 210/244, 467; 211/96;
219/620-622, 725-730; 220/203.01, 573.1-574,
220/769, 912; 222/146.1, 545, 572, 573.1

See application file for complete search history.

(56) **References Cited**

U.S. PATENT DOCUMENTS

2,185,897	A *	1/1940	Krause et al.	210/244
2,303,841	A *	12/1942	Kircher	222/545
2,561,806	A *	7/1951	Mailland	211/96

D172,839	S *	8/1954	Olswang	D7/361
4,310,418	A *	1/1982	Busbey	210/467
D327,609	S *	7/1992	Carlson	D7/667
D330,863	S *	11/1992	Green	D10/46.2
5,388,732	A *	2/1995	Greger	222/572
5,653,881	A *	8/1997	Bruss et al.	210/467
D386,940	S *	12/1997	Hess	D7/361
5,730,045	A *	3/1998	Delaquis et al.	99/337
D455,599	S *	4/2002	Cheng	D7/354
6,419,107	B1 *	7/2002	Cheng	220/573.1

* cited by examiner

Primary Examiner—Caron Veynar

Assistant Examiner—Ricky Pham

(74) *Attorney, Agent, or Firm*—Nixon & Vanderhye P.C.

(57) **CLAIM**

The ornamental design for a saucepan, as shown and described.

DESCRIPTION

FIG. 1 is a front view of a saucepan showing my new design; the rear view being a mirror image thereof;

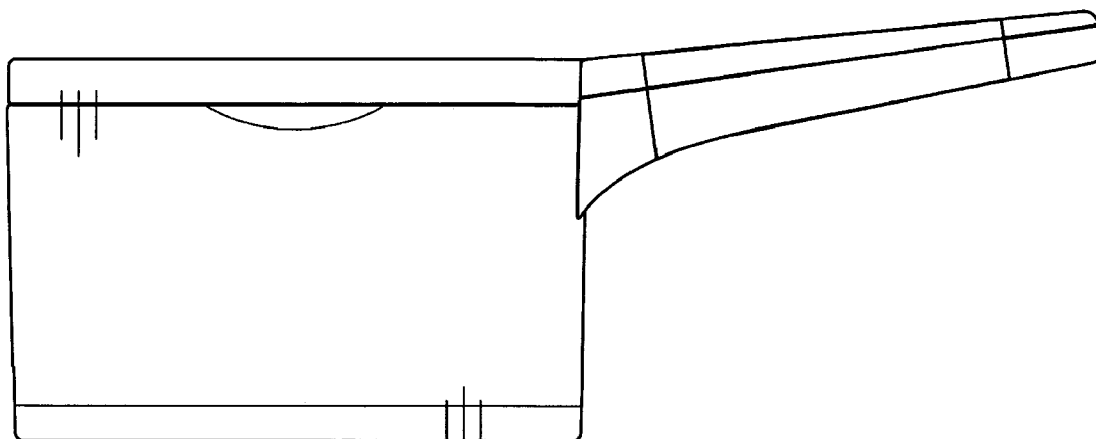
FIG. 2 is a right side view thereof;

FIG. 3 is a bottom view thereof;

FIG. 4 is an exploded bottom perspective view thereof; shown with the pan and the lid being separated for ease of illustration; and,

FIG. 5 is an exploded top perspective view thereof, shown with the pan and the lid being separated for ease of illustration.

1 Claim, 3 Drawing Sheets



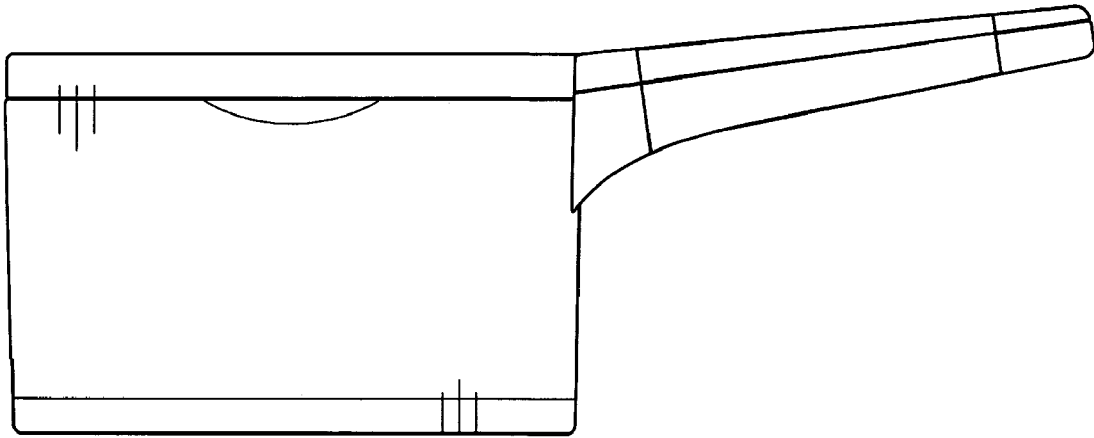


FIG. 1

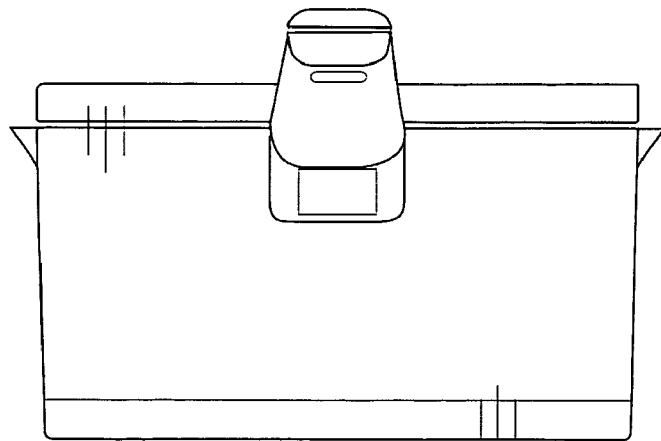


FIG. 2

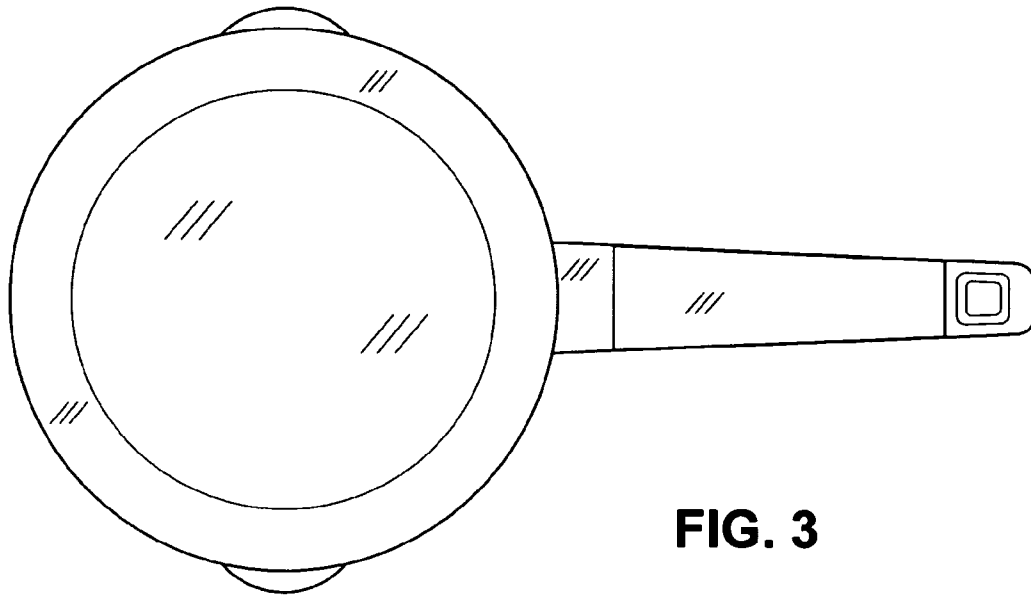


FIG. 3

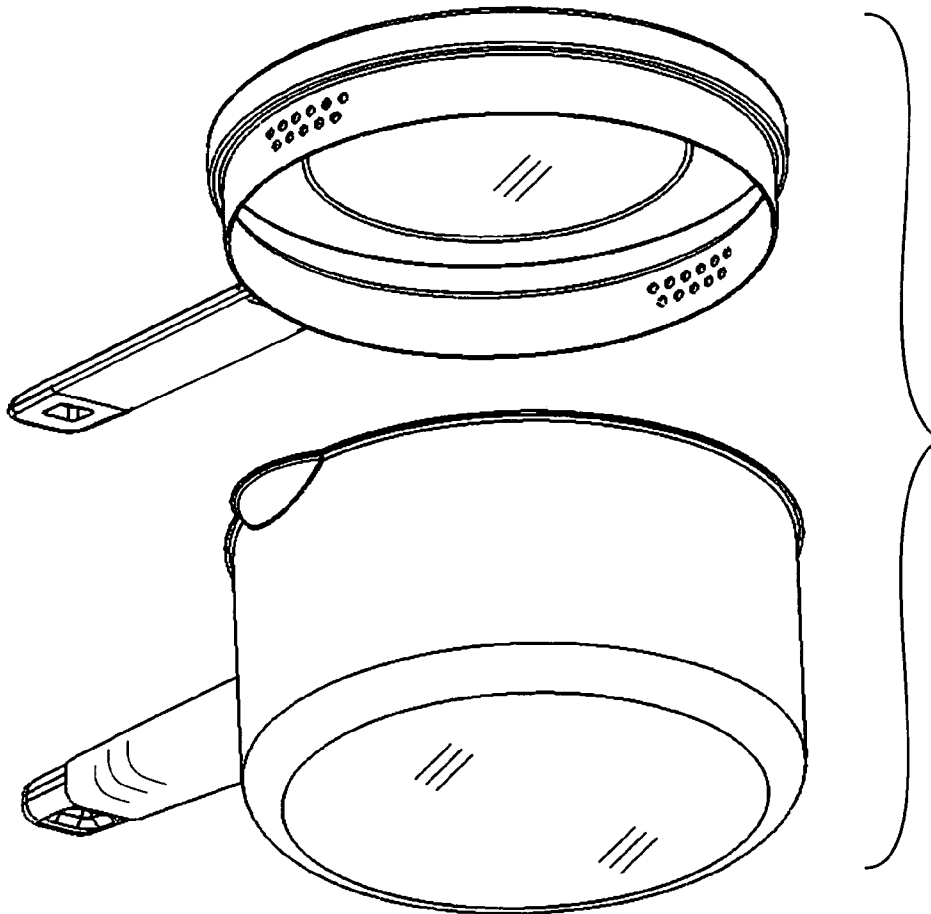


FIG. 4

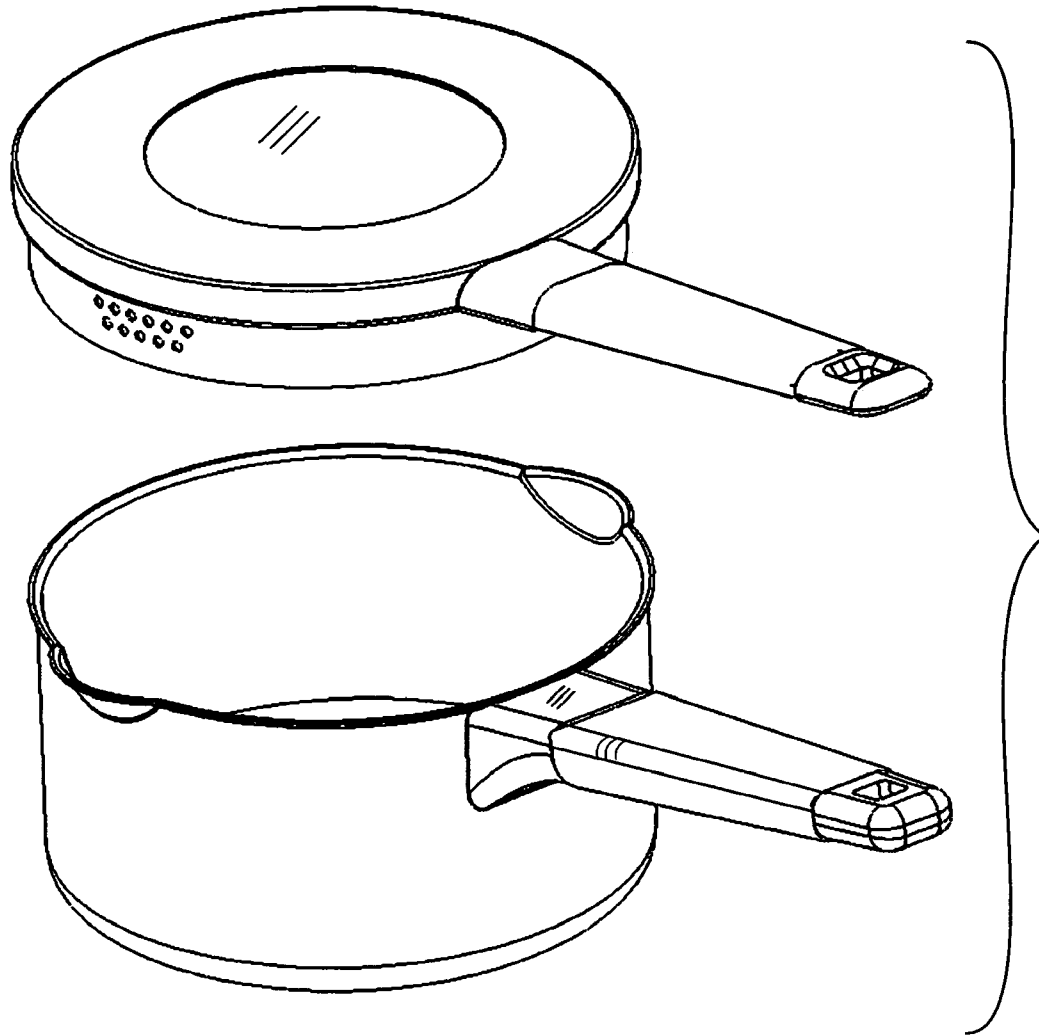


FIG. 5

UNITED STATES PATENT AND TRADEMARK OFFICE
CERTIFICATE OF CORRECTION

PATENT NO. : D587,062 S
APPLICATION NO. : 29/300757
DATED : February 24, 2009
INVENTOR(S) : Peter Ek

Page 1 of 1

It is certified that error appears in the above-identified patent and that said Letters Patent is hereby corrected as shown below:

Title page, item (30) should read as follows:

(30) Foreign Application Priority Data

November 11, 2007 (EM) 000822879-001
November 11, 2007 (EM) 000822879-002
November 11, 2007 (EM) 000822879-003

Signed and Sealed this
Twenty-eighth Day of June, 2011



David J. Kappos
Director of the United States Patent and Trademark Office