



US00D793883S

(12) **United States Design Patent** (10) **Patent No.:** **US D793,883 S**
Kouda (45) **Date of Patent:** **** Aug. 8, 2017**

(54) **WRIST WATCH**
(71) Applicant: **CITIZEN WATCH CO., LTD.,** Tokyo (JP)
(72) Inventor: **Takuma Kouda,** Tokyo (JP)
(73) Assignee: **Citizen Watch Co., Ltd.,** Tokyo (JP)
(**) Term: **15 Years**
(21) Appl. No.: **29/566,485**
(22) Filed: **May 31, 2016**
(51) **LOC (10) Cl.** **10-02**
(52) **U.S. Cl.**
USPC **D10/39; D10/30**
(58) **Field of Classification Search**
USPC D10/1-29, 30-39, 122-132; D11/1, 2, 3, D11/4
CPC G04B 19/00; G04B 19/04; G04B 19/10; G04B 19/34; G04B 19/166; G04B 19/23; G04B 19/235; G04B 19/20; G04B 37/00; G04B 37/0008; G04B 37/0058; G04B 37/12; G04B 45/00; G04B 45/0069; G04B 45/0076
See application file for complete search history.

D580,279 S * 11/2008 Wunderman D10/39
D588,940 S * 3/2009 Kuchler D10/32
D597,421 S * 8/2009 Jorst et al.
D599,218 S * 9/2009 Izuka D10/32
D606,424 S * 12/2009 Inoue D10/39
D640,144 S * 6/2011 Tonohori D10/32
D649,482 S * 11/2011 Vaptzarof D10/39
D697,822 S * 1/2014 Duport D10/32
D700,072 S * 2/2014 Arellano D10/38
D703,554 S * 4/2014 Emmenegger D10/32
D724,959 S * 3/2015 McCormick D10/126
D726,554 S * 4/2015 Takahashi D10/38
D732,981 S * 6/2015 Waecker
D740,695 S * 10/2015 Waecker
D741,203 S * 10/2015 Giannini D10/125
(Continued)

FOREIGN PATENT DOCUMENTS

DE 2439886 A1 * 3/1975 G04B 37/0008
Primary Examiner — Sheryl Lane
Assistant Examiner — Samantha Wood
(74) *Attorney, Agent, or Firm* — RatnerPrestia

(57) **CLAIM**
The ornamental design for a wrist watch, as shown and described.

DESCRIPTION

FIG. 1 is an enlarged front perspective view of a wrist watch showing my new design;
FIG. 2 is a front elevational view thereof;
FIG. 3 is a left side elevational view thereof;
FIG. 4 is a right side elevational view thereof;
FIG. 5 is a rear elevational view thereof;
FIG. 6 is a top plan view thereof; and,
FIG. 7 is a bottom plan view thereof.
The broken lines showing portions of the wrist watch are included for the purpose of illustrating portions of the article and form no part of the claimed design.

1 Claim, 4 Drawing Sheets

(56) **References Cited**
U.S. PATENT DOCUMENTS
D77,287 S * 12/1928 Bernheimer D10/38
D150,628 S * 8/1948 Goodkind D10/1
D323,996 S * 2/1992 Nakazawa D10/39
D350,702 S * 9/1994 Schwarz D10/126
D477,235 S * 7/2003 El Kadiri D10/30
D479,135 S * 9/2003 Emmenegger D10/30
D490,722 S * 6/2004 Weismann D10/30
D493,729 S * 8/2004 Monachon D10/32
D534,084 S * 12/2006 Linde D10/39
D543,872 S * 6/2007 Garcia D10/38
D559,123 S * 1/2008 Modolo D10/32
D565,428 S * 4/2008 Wunderman D10/32



(56)

References Cited

U.S. PATENT DOCUMENTS

D743,827	S	*	11/2015	Prince	D10/122
D743,828	S	*	11/2015	Choisnes	D10/124
D754,550	S	*	4/2016	Izuka	D10/30
D762,490	S	*	8/2016	Tonohori	D10/126

* cited by examiner

FIG. 1



FIG. 2

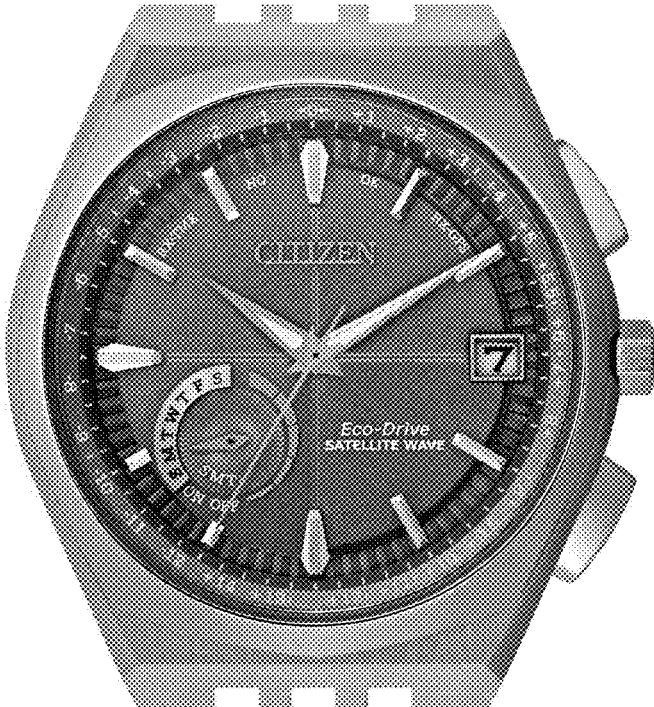


FIG. 3

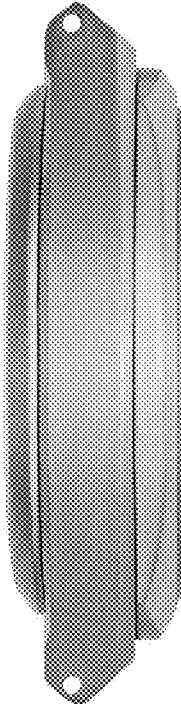


FIG. 4

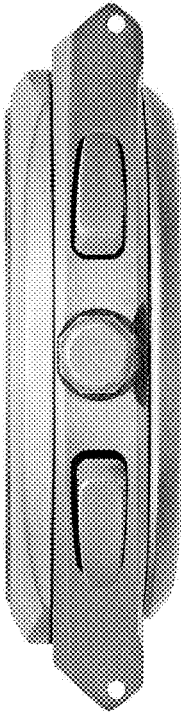


FIG. 5

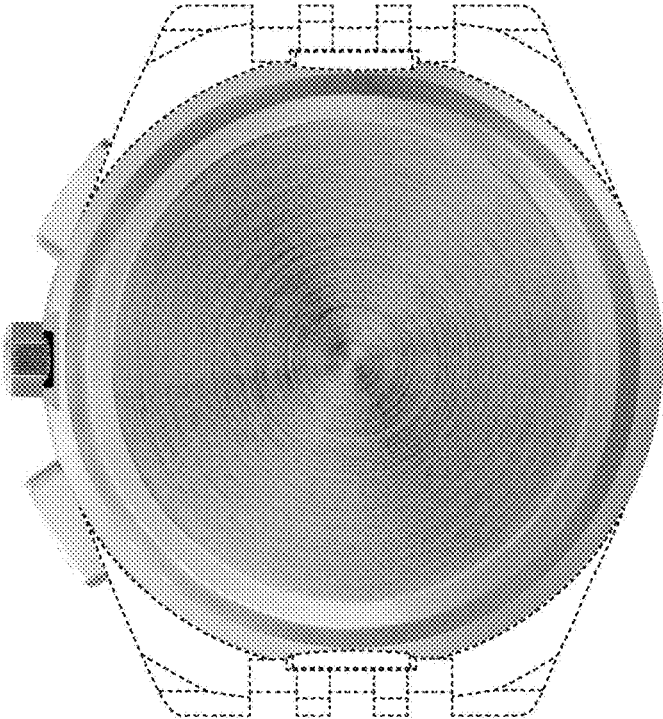


FIG. 6

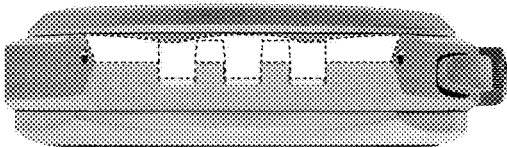


FIG. 7

