



(12) **United States Design Patent**
Orozco

(10) **Patent No.:** **US D959,042 S**
(45) **Date of Patent:** **** Jul. 26, 2022**

- (54) **LIGHTING FIXTURE**
- (71) Applicant: **Hinkley Lighting, Inc.**, Avon Lake, OH (US)
- (72) Inventor: **Sergio Orozco**, New York, NY (US)
- (73) Assignee: **HINKLEY LIGHTING, INC.**, Avon Lake, OH (US)
- (**) Term: **15 Years**
- (21) Appl. No.: **29/819,465**
- (22) Filed: **Dec. 15, 2021**

5,251,118 A	*	10/1993	Budnovitch	F21V 21/116	362/453
D467,677 S	*	12/2002	Ries	D26/88	
D731,695 S	*	6/2015	Pyle	D26/88	
D805,237 S	*	12/2017	Amato	D26/88	
D820,501 S	*	6/2018	Amato	D26/88	
D870,352 S	*	12/2019	Arola	D26/88	

Related U.S. Application Data

- (62) Division of application No. 29/678,629, filed on Jan. 30, 2019, now Pat. No. Des. 942,065, which is a division of application No. 29/606,526, filed on Jun. 5, 2017, now abandoned.
- (51) **LOC (13) Cl.** **26-03**
- (52) **U.S. Cl.**
USPC **D26/88**
- (58) **Field of Classification Search**
USPC D26/72, 73, 80-86, 88, 90, 91, 118
CPC F21S 8/04; F21S 8/043; F21S 8/046; F21S 8/06; F21S 8/061; F21S 8/063; F21S 8/065
See application file for complete search history.

References Cited

U.S. PATENT DOCUMENTS

1,686,571 A	*	10/1928	Plaut	F21V 3/04	D26/88
D77,096 S	*	12/1928	Jaffe et al.	D26/88	
D125,312 S	*	2/1941	Logan	D26/88	

OTHER PUBLICATIONS

ELK Harmelin 1 Light 7 inch Matte Black with Satin Brass Mini Pendant Ceiling Light, Model No. 14474/1 . Available from elklightinglights.com as early as Apr. 3, 2019. (Year: 2019).*

Savoy House Lilly 2-Light Black Pendant, Model No. 7-203-2-89 . ASIN: B07N31GZ94 available from amazon.com Jan. 24, 2019. (Year: 2019).*

Z-Lite Pendant Light Model No. 619P14-MB-FB. ASIN: B07N33V9KR available from amazon.com Jan. 24, 2019. (Year: 2019).*

* cited by examiner

Primary Examiner — Clare E Heflin
(74) *Attorney, Agent, or Firm* — Pearne & Gordon LLP

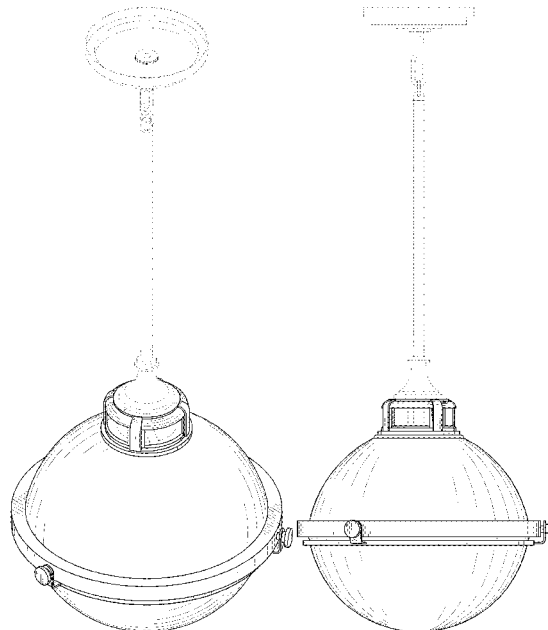
(57) **CLAIM**

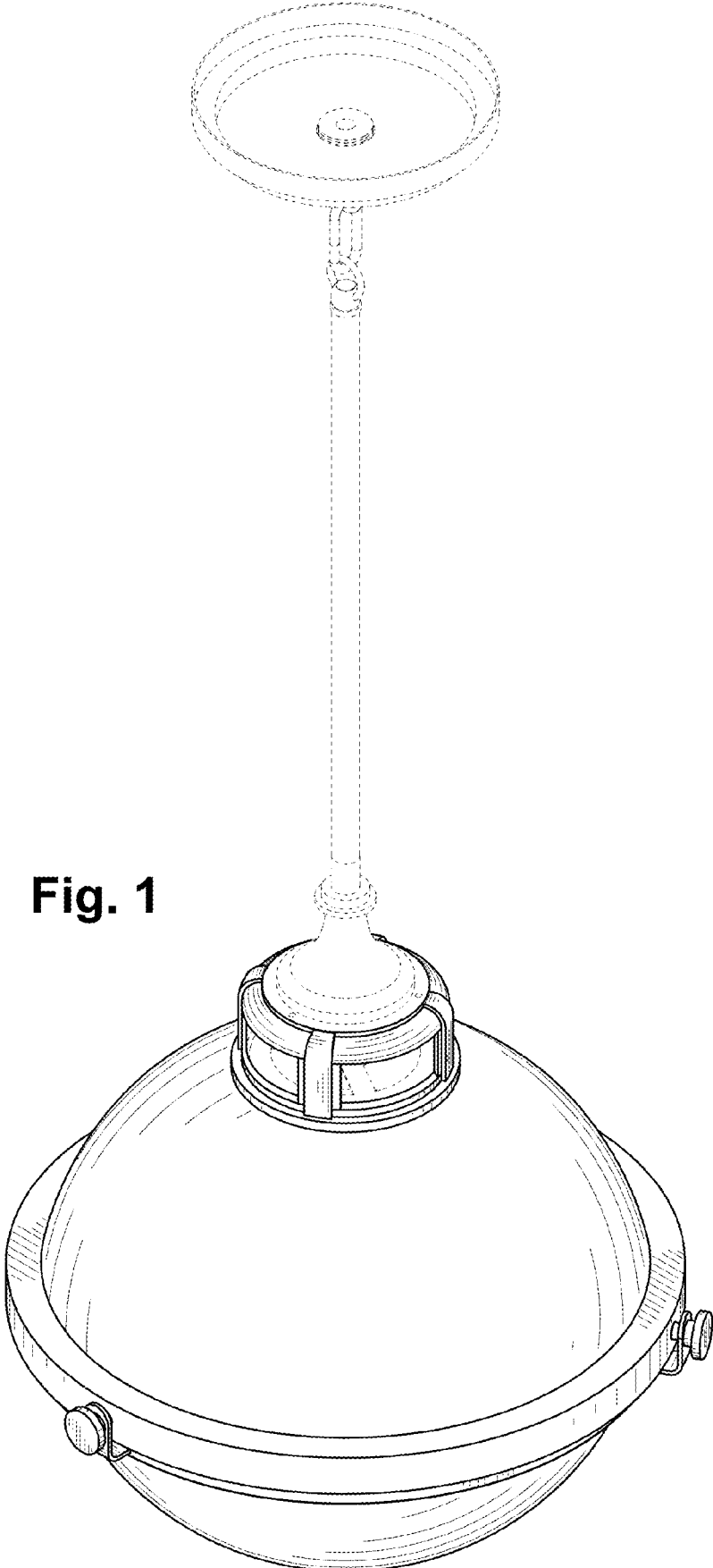
The ornamental design for a lighting fixture, as shown and described.

DESCRIPTION

FIG. 1 is a top perspective view of the lighting fixture;
FIG. 2 is a bottom perspective view thereof;
FIG. 3 is a left side view thereof;
FIG. 4 is a front view thereof;
FIG. 5 is a right side view thereof;
FIG. 6 is a rear view thereof;
FIG. 7 is a top view thereof; and,
FIG. 8 is a bottom view thereof.
Broken lines in the drawings represent features of the lighting fixture that form no part of the claimed design.

1 Claim, 7 Drawing Sheets





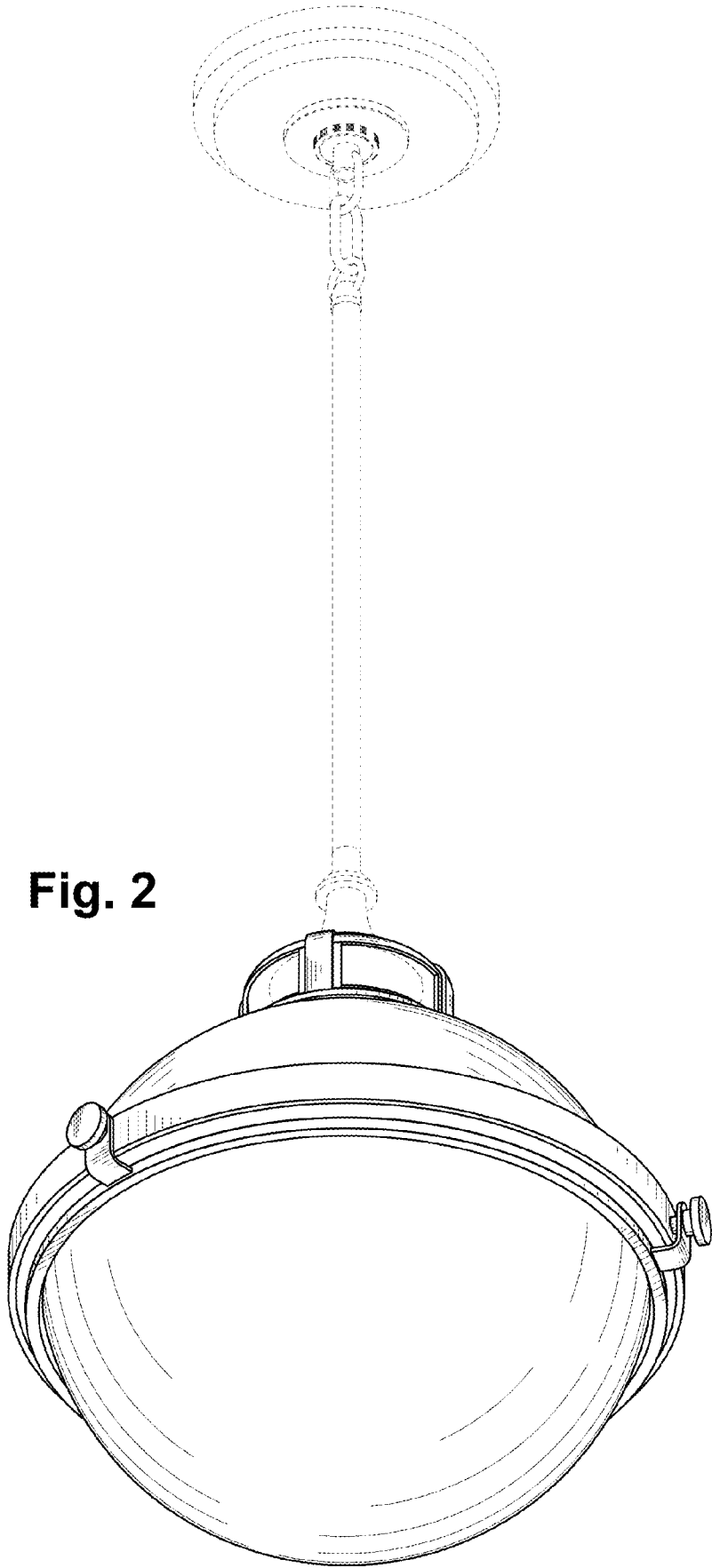


Fig. 2

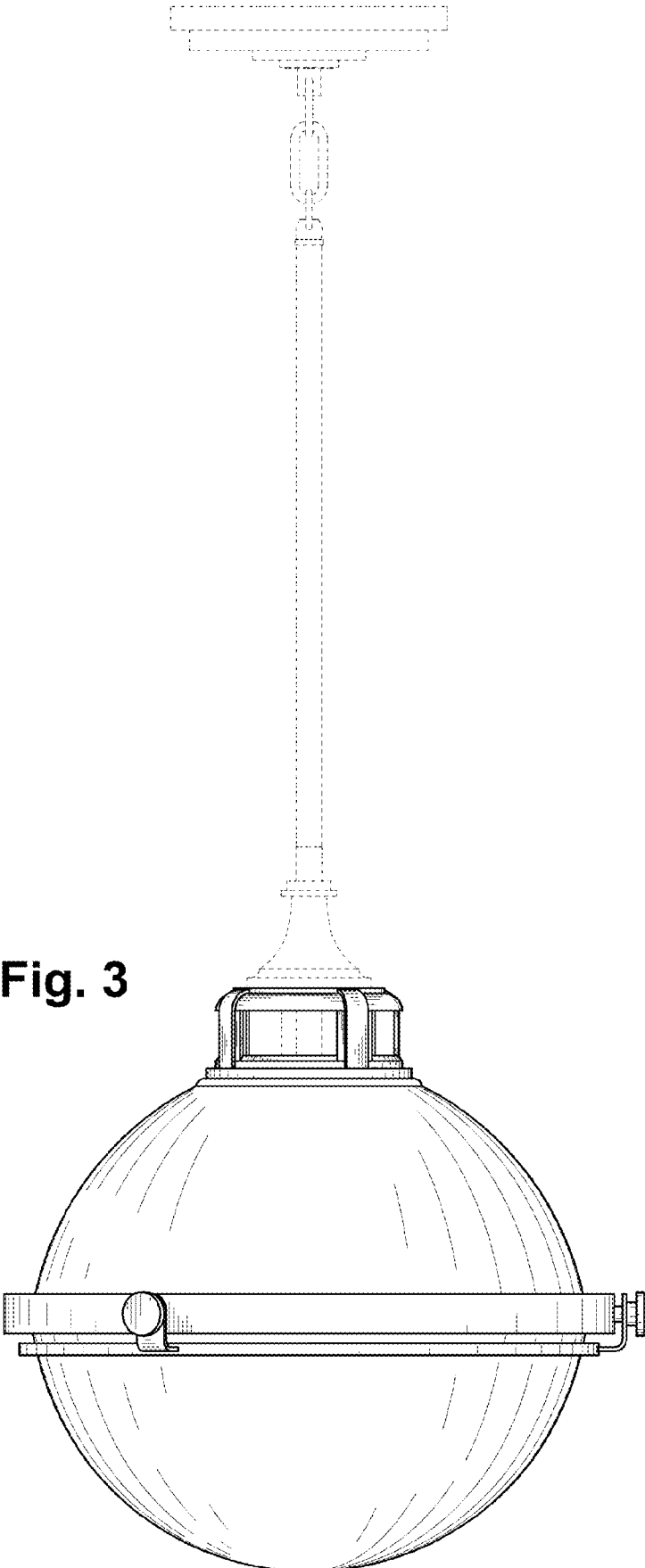


Fig. 3

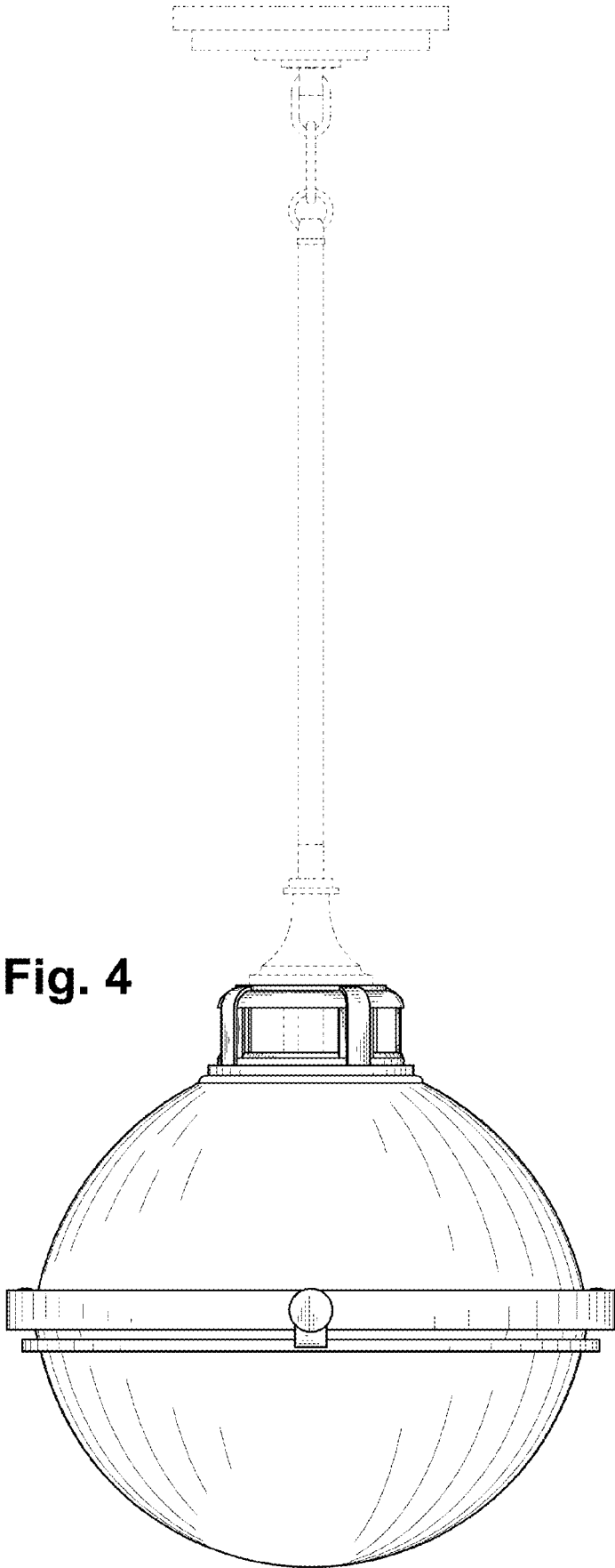


Fig. 4

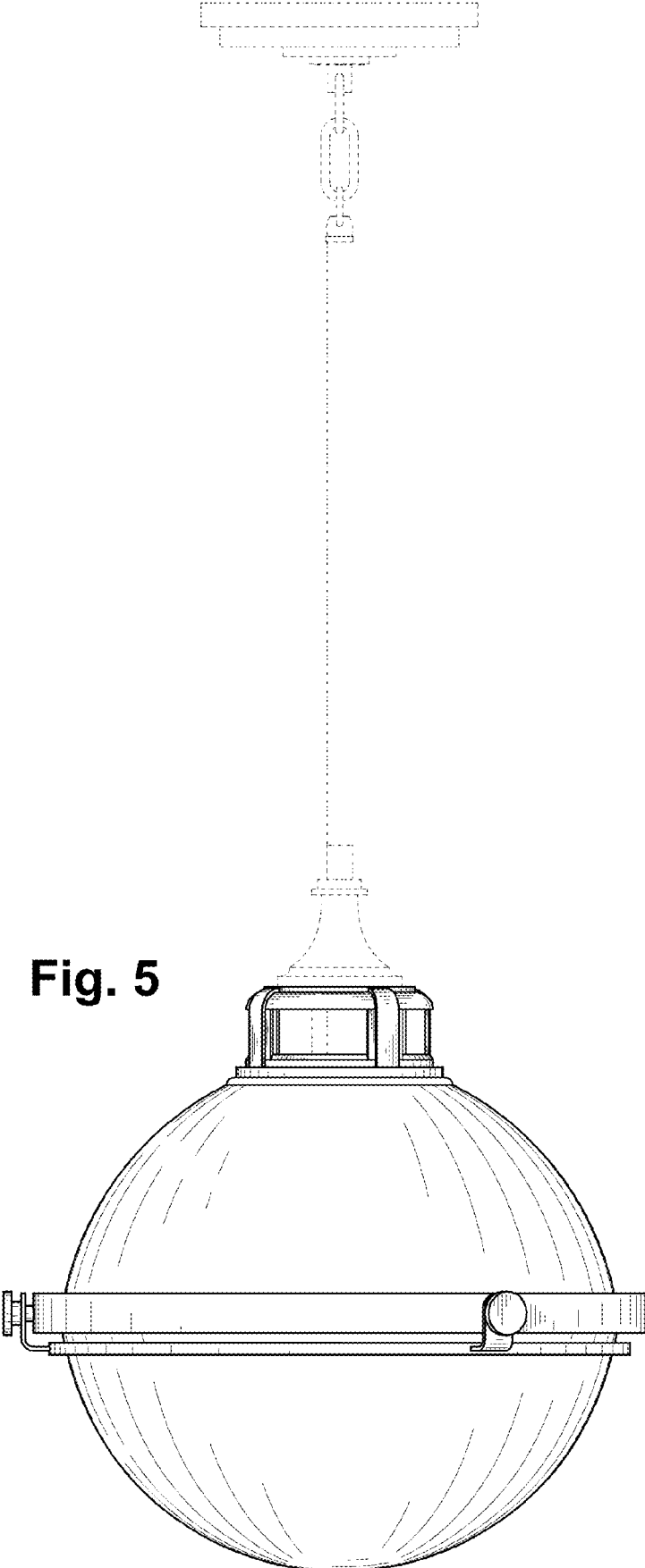


Fig. 5

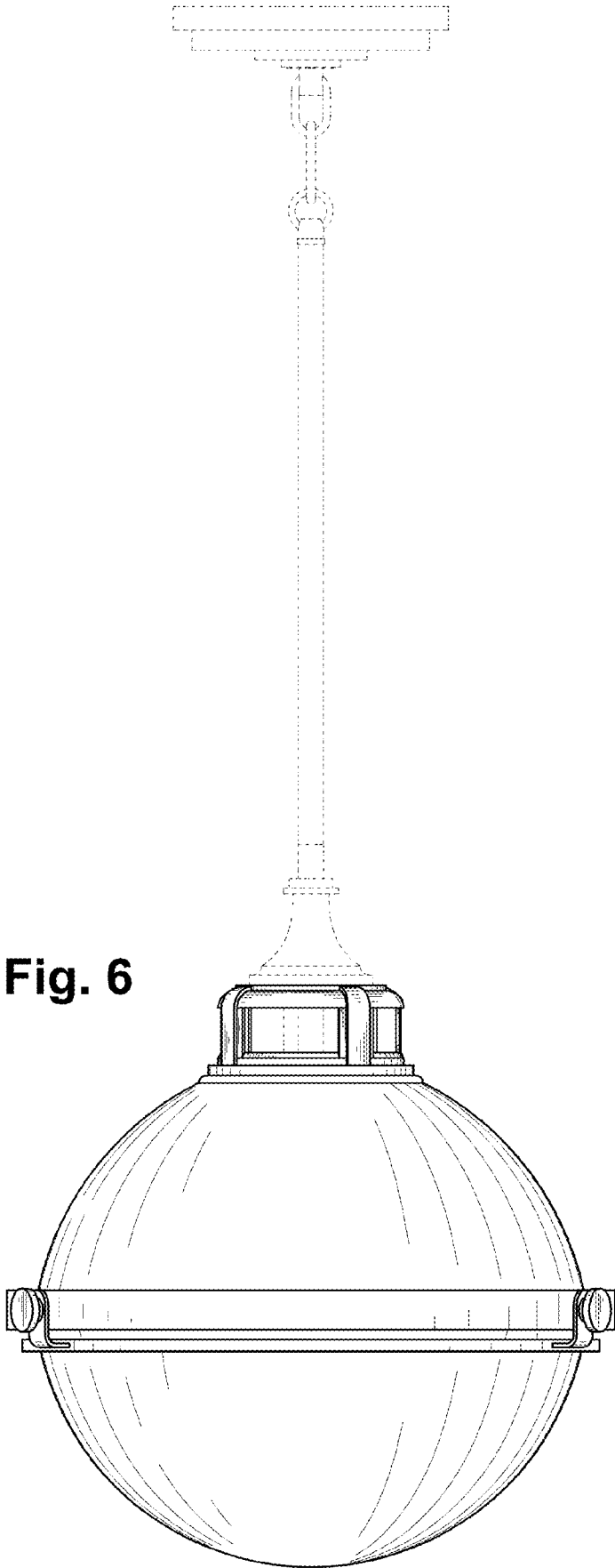


Fig. 6

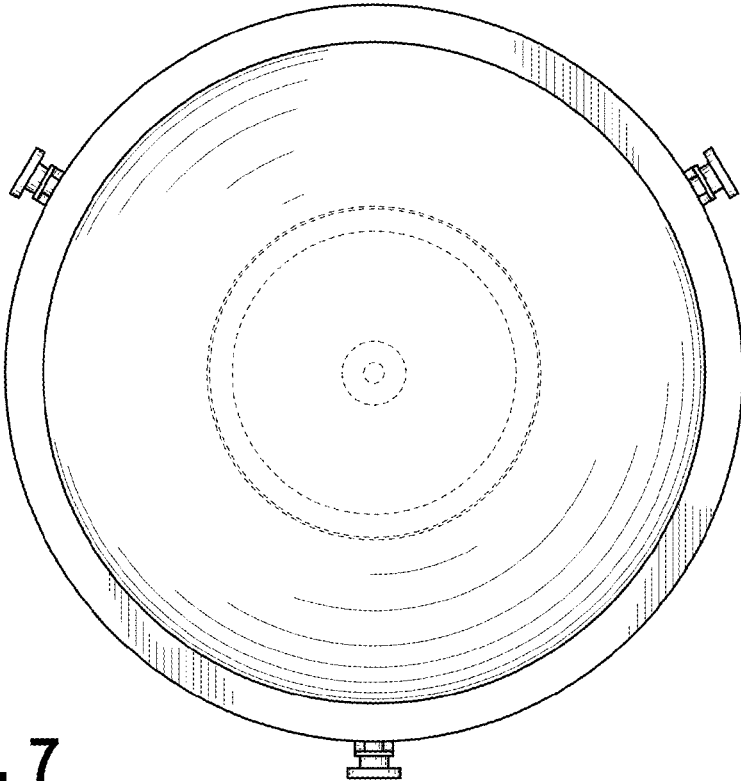


Fig. 7

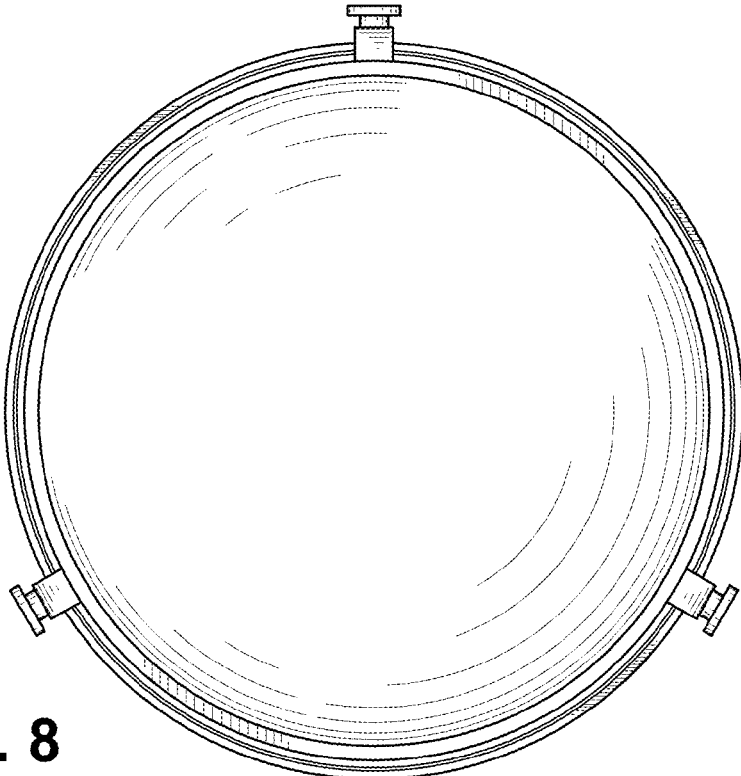


Fig. 8