



US00D464262S

(12) **United States Design Patent** (10) **Patent No.:** **US D464,262 S**
Drennow (45) **Date of Patent:** **** Oct. 15, 2002**

(54) **OPENING AND CLOSING DEVICE FOR CONTAINERS**

D404,646 S * 1/1999 Black, Sr. et al. D9/446

* cited by examiner

(75) Inventor: **Sten Drennow, Lund (SE)**

Primary Examiner—Dominic Simone

(73) Assignee: **Asept International AB, Lund (SE)**

(74) *Attorney, Agent, or Firm*—Tarolli, Sundheim, Covell, Tummino & Szabo L.L.P.

(**) Term: **14 Years**

(57) **CLAIM**

(21) Appl. No.: **29/150,565**

The ornamental design for an opening and closing device for containers, as shown and described.

(22) Filed: **Nov. 14, 2001**

DESCRIPTION

(51) **LOC (7) Cl.** **09-04**

(52) **U.S. Cl.** **D9/446; D9/447; D9/449**

(58) **Field of Search** D9/446, 447, 449, D9/435; 222/541.9; 220/270, 256, 259, 260, 263, 375

FIG. 1 is a perspective view of the opening and closing device;

FIG. 2 is a side elevational view of the opening and closing device;

FIG. 3 is a side elevational view of the opposite side of the opening and closing device;

FIG. 4 is a rear elevational view of the opening and closing device;

FIG. 5 is a front elevational view of the opening and closing device;

FIG. 6 is a top plan view of the opening and closing device; and,

FIG. 7 is a bottom plan view of the opening and closing device.

(56) **References Cited**

U.S. PATENT DOCUMENTS

D193,121 S	*	6/1962	Wickman	D9/446
3,434,620 A	*	3/1969	Laurizio	220/258
4,603,793 A		8/1986	Stern		
D292,489 S	*	10/1987	Kowollik et al.	D9/447
4,776,488 A		10/1988	Gurzan		
D364,810 S	*	12/1995	Meisner	D9/446
5,725,121 A	*	3/1998	Gianpaolo	220/375

1 Claim, 7 Drawing Sheets

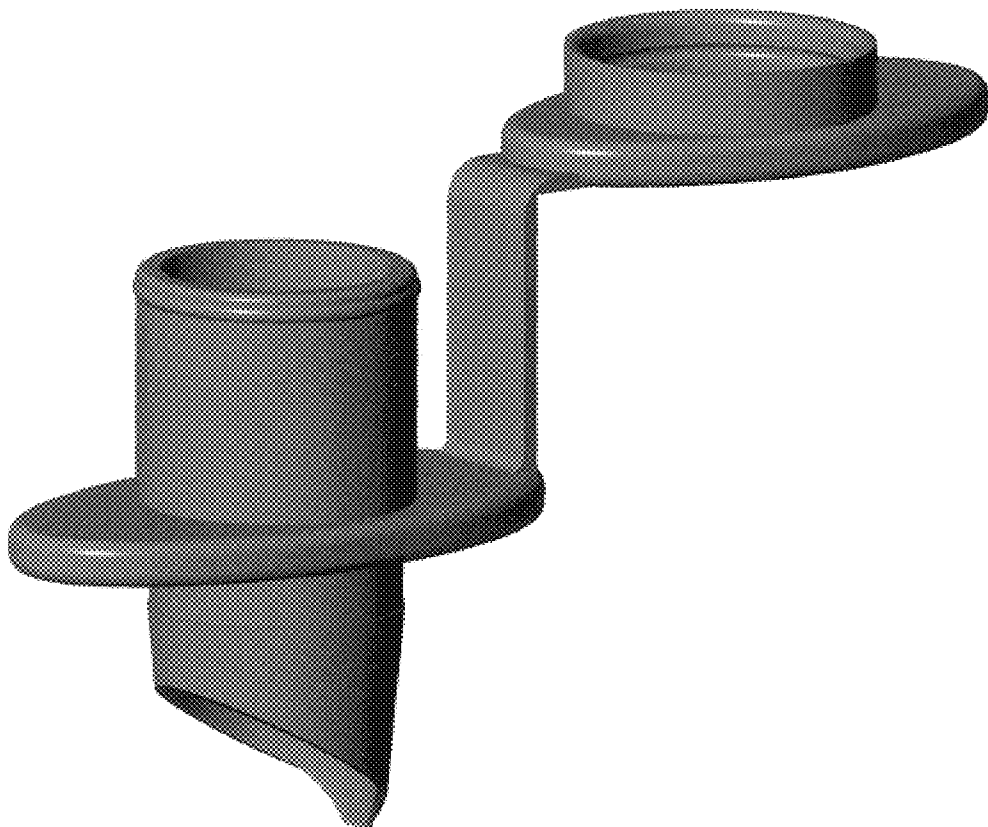


Fig. 1

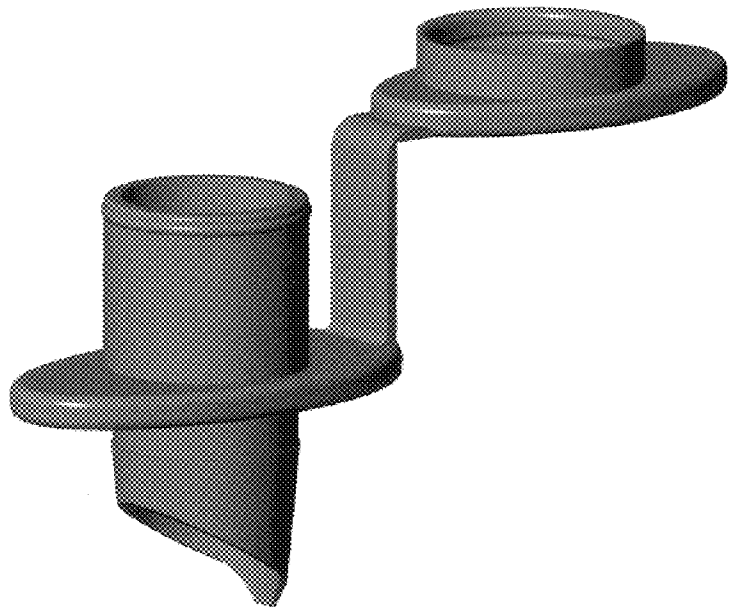


Fig. 2

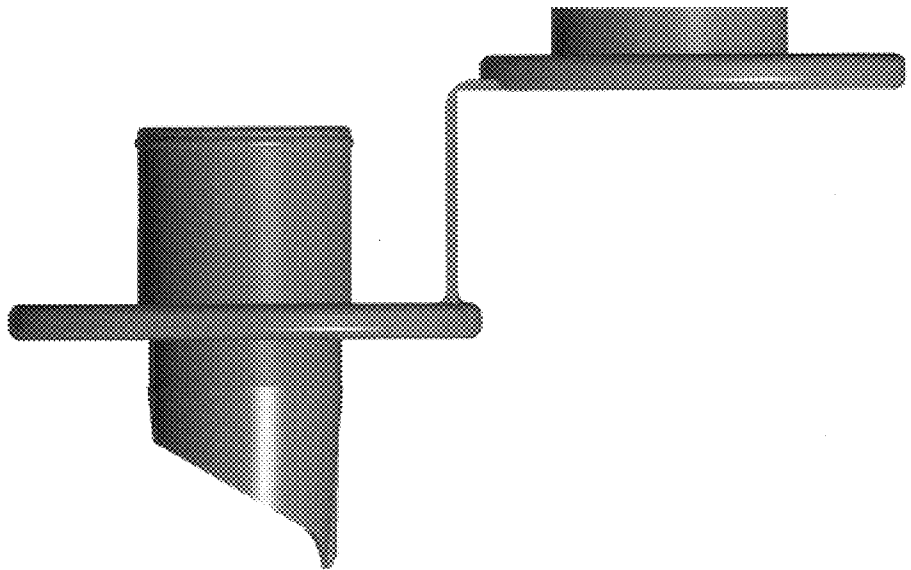


Fig. 3

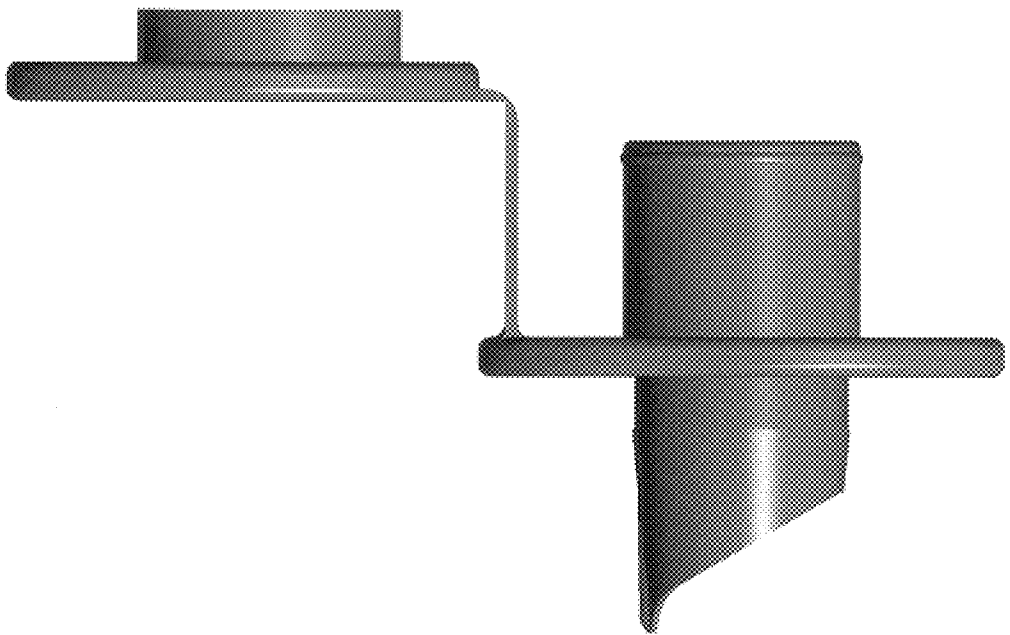


Fig. 4

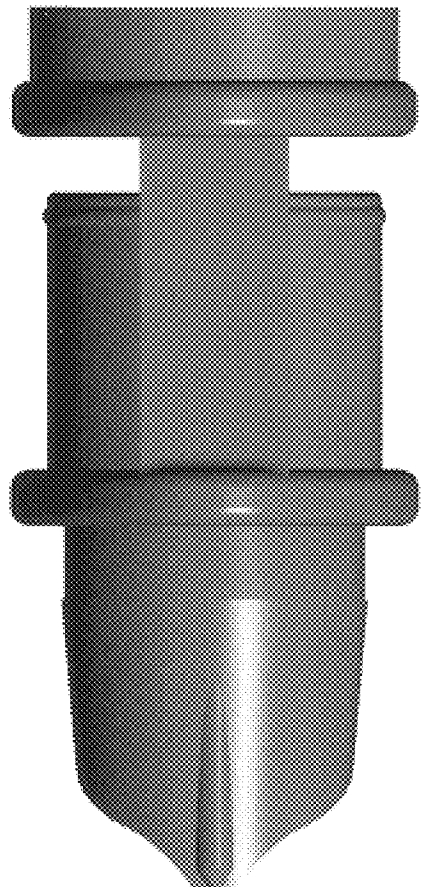


Fig. 5

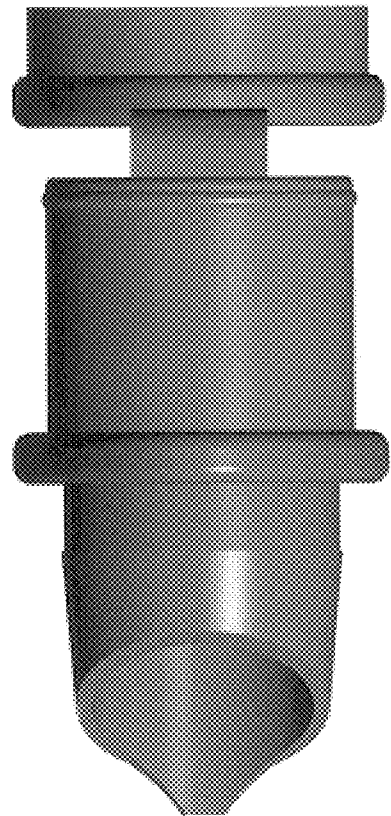


Fig. 6

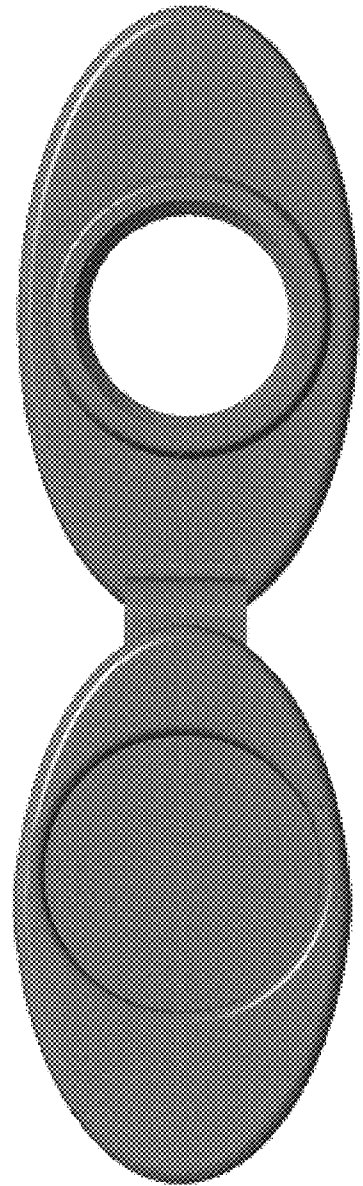


Fig. 7

