



(12) **United States Design Patent**  
**Luo**

(10) **Patent No.:** **US D1,035,798 S**  
(45) **Date of Patent:** **\*\* Jul. 16, 2024**

(54) **TREADMILL**

D1,003,085 S \* 10/2023 Leng ..... D6/656.15  
D1,005,416 S \* 11/2023 Fang ..... D21/669  
D1,008,376 S \* 12/2023 Hu ..... D21/669  
2021/0275860 A1\* 9/2021 Tseng ..... A63B 22/02

(71) Applicant: **JIANGXI EQI INDUSTRIAL CO., LTD.**, Jiujiang (CN)

(72) Inventor: **Xietong Luo**, Jiujiang (CN)

(73) Assignee: **JIANGXI EQI INDUSTRIAL CO., LTD.**, Jiujiang (CN)

(\*\*) Term: **15 Years**

(21) Appl. No.: **29/859,871**

(22) Filed: **Nov. 14, 2022**

(30) **Foreign Application Priority Data**

Oct. 13, 2022 (CN) ..... 202230676520.X

(51) **LOC (14) Cl.** ..... **21-02**

(52) **U.S. Cl.**  
USPC ..... **D21/669**

(58) **Field of Classification Search**  
USPC ..... D21/662, 668, 670, 671, 669; D30/160;  
D6/406.1, 406.2, 642, 656.15  
CPC . A63B 22/0664; A63B 22/04; A63B 22/0694;  
A63B 22/0048; A63B 23/0458; A63B  
22/02; A63B 22/0023; A63B 69/0028;  
A63B 71/0619; A63B 2069/0031  
See application file for complete search history.

(56) **References Cited**

**U.S. PATENT DOCUMENTS**

D879,513 S \* 3/2020 Pei ..... D6/656.15  
D907,722 S \* 1/2021 Fang ..... D21/669  
D935,537 S \* 11/2021 Wang ..... D21/669  
D952,769 S \* 5/2022 Hu ..... D21/669  
D965,082 S \* 9/2022 Zeng ..... D21/669  
D989,197 S \* 6/2023 Huang ..... D21/669

**FOREIGN PATENT DOCUMENTS**

CN 306142809 \* 10/2020  
EM 015001579-0001 \* 10/2022

**OTHER PUBLICATIONS**

Goplus 3HP Foldable Treadmill with Desk, amazon.com, customer review oldest Jul. 5, 2023 [online], [site visited Jan. 22, 2024], Available from internet, URL: <https://www.amazon.com/Goplus-Treadmill-Treadmills-Adjustable-Bluetooth/dp/B0BYZLY8FJ> (Year: 2023).\*

(Continued)

*Primary Examiner* — Samantha Q Lawrence

*Assistant Examiner* — Thanh Luu Wong

(74) *Attorney, Agent, or Firm* — Cheng-Ju Chiang

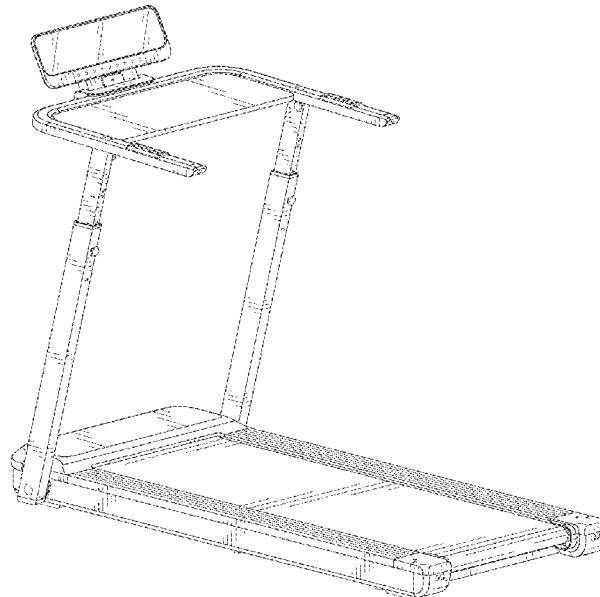
(57) **CLAIM**

The ornamental design for a treadmill, as shown and described.

**DESCRIPTION**

FIG. 1 is a top, right, front perspective view of a treadmill showing my new design;  
FIG. 2 is a top, right, back perspective view thereof;  
FIG. 3 is front view thereof;  
FIG. 4 is back view thereof;  
FIG. 5 is a left-side view thereof;  
FIG. 6 is a right-side view thereof;  
FIG. 7 is a top view thereof; and,  
FIG. 8 is a bottom view thereof.  
The broken lines shown in the drawings illustrate portions of the treadmill that form no part of the claimed design.

**1 Claim, 8 Drawing Sheets**



(56)

**References Cited**

## OTHER PUBLICATIONS

Goplus 3HP Foldable Treadmill with Desk, amazon.ca, first available May 24, 2023 [online], [site visited Jan. 22, 2024], Available from internet, URL: <https://www.amazon.ca/Goplus-Treadmill-Treadmills-Adjustable-Bluetooth/dp/B0BYZLY8FJ?th=1> (Year: 2023).\*

Home use treadmill running machine, bossgoo.com, [online], [site visited Jan. 22, 2024], Available from internet, URL: <https://www.bossgoo.com/product-detail/home-use-treadmill-running-machine-electric-58305665.html> (Year: 2024).\*

Urevo Portable Folding Treadmills for Home, amazon.com, customer review oldest Jul. 18, 2023 [online], [site visited Jan. 22, 2024], Available from internet, URL: <https://www.amazon.com/UREVO-Portable-Treadmills-Treadmill-Adjustable/dp/B0BQ39NYZL> (Year: 2023).\*

Sharper Image Treadmill Desk, sharperimage.com, customer review oldest Jan. 2023 [online], [site visited Jan. 22, 2024], Available from internet, URL: <https://www.sharperimage.com/view/product/Treadmill+Desk/208617> (Year: 2023).\*

Urevo Foldi 2 Treadmill, urevo.com, customer review oldest Oct. 27, 2020 [online], [site visited Jan. 23, 2024], Available from internet, URL: <https://www.urevo.com/products/foldi-2-treadmills> (Year: 2020).\*

Sunny Interactive Slim Auto Incline Treadmill, sunnyhealthfitness.com, customer review oldest Mar. 24, 2023 [online], [site visited Jan. 24, 2024], Available from internet, URL: <https://sunnyhealthfitness.com/products/interactive-slim-auto-incline-treadmill-with-bluetooth-sf-t722022> (Year: 2023).\*

\* cited by examiner

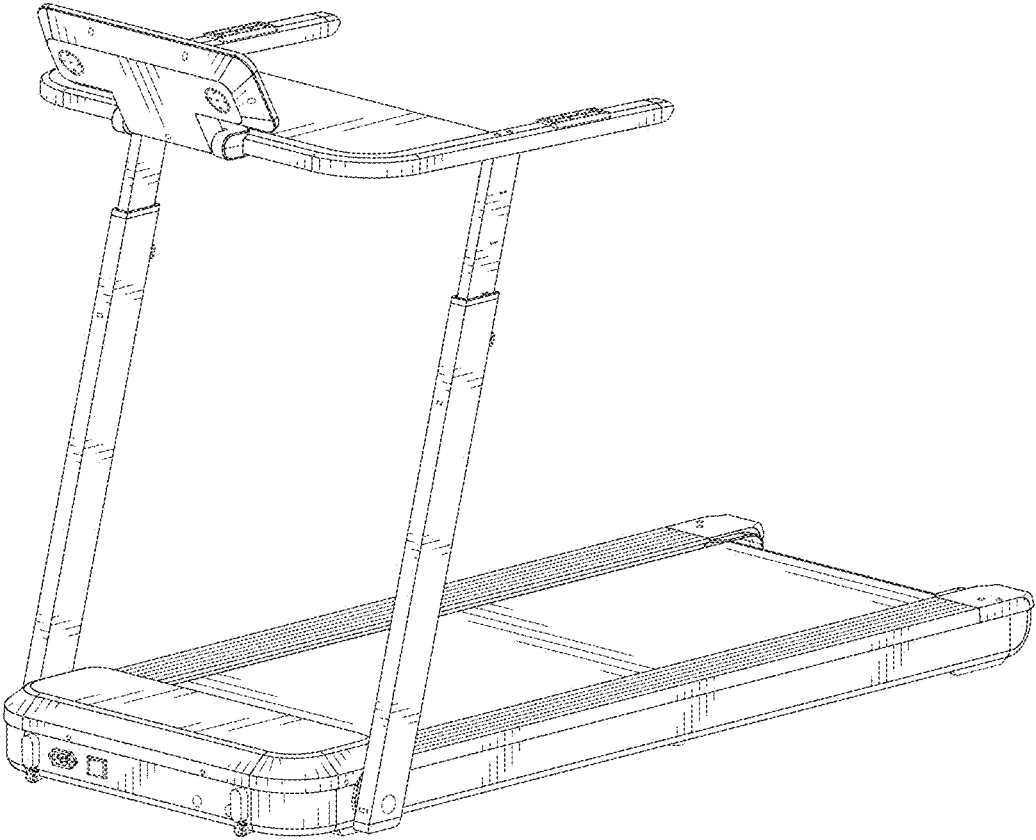


FIG. 1

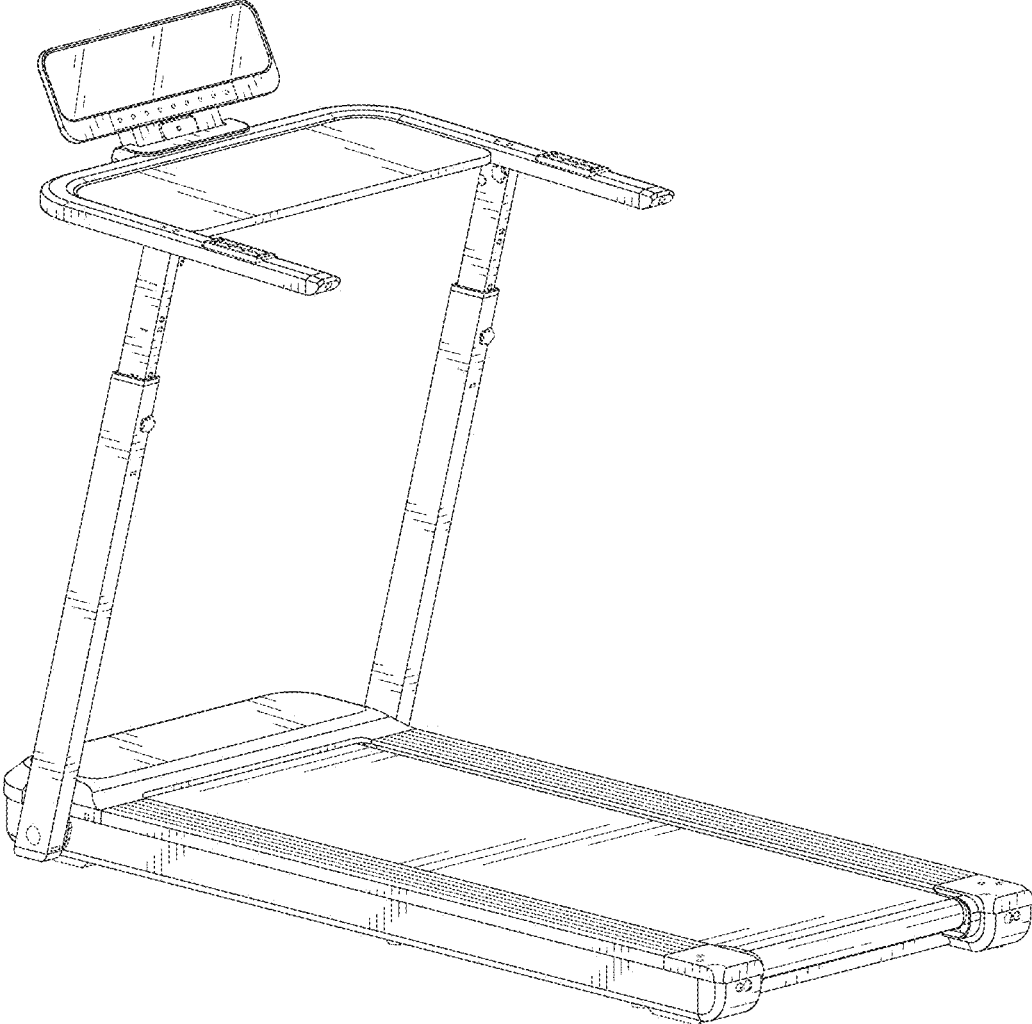


FIG. 2

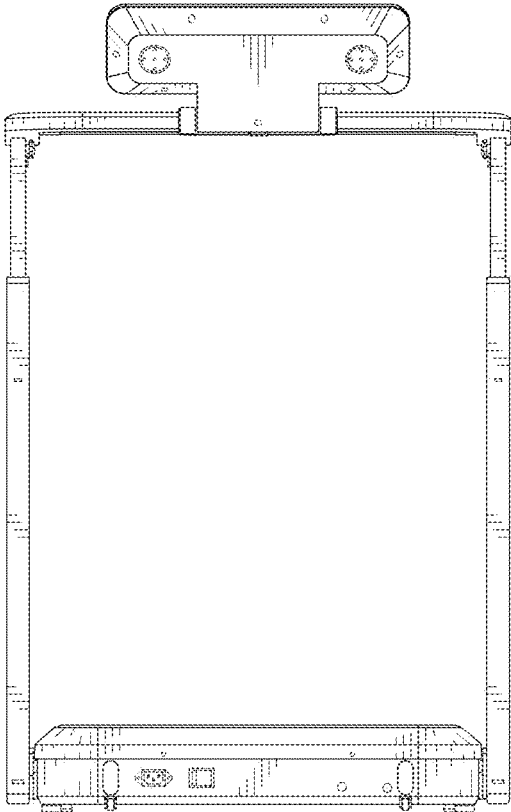


FIG. 3

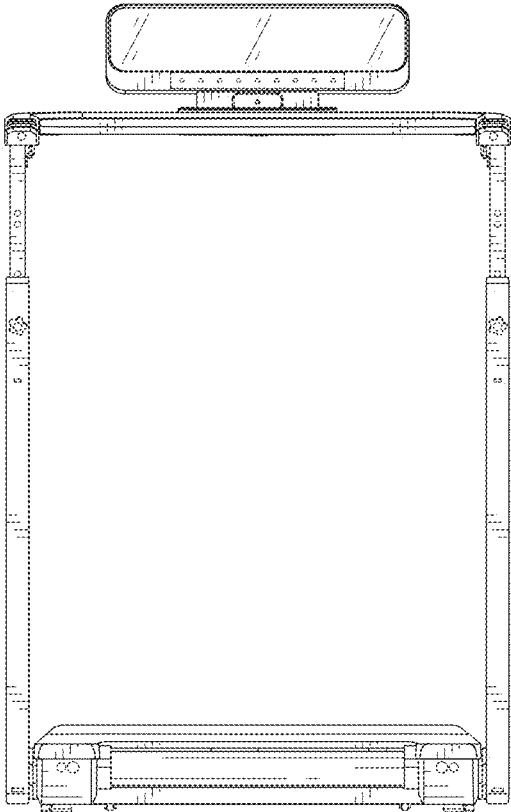


FIG. 4

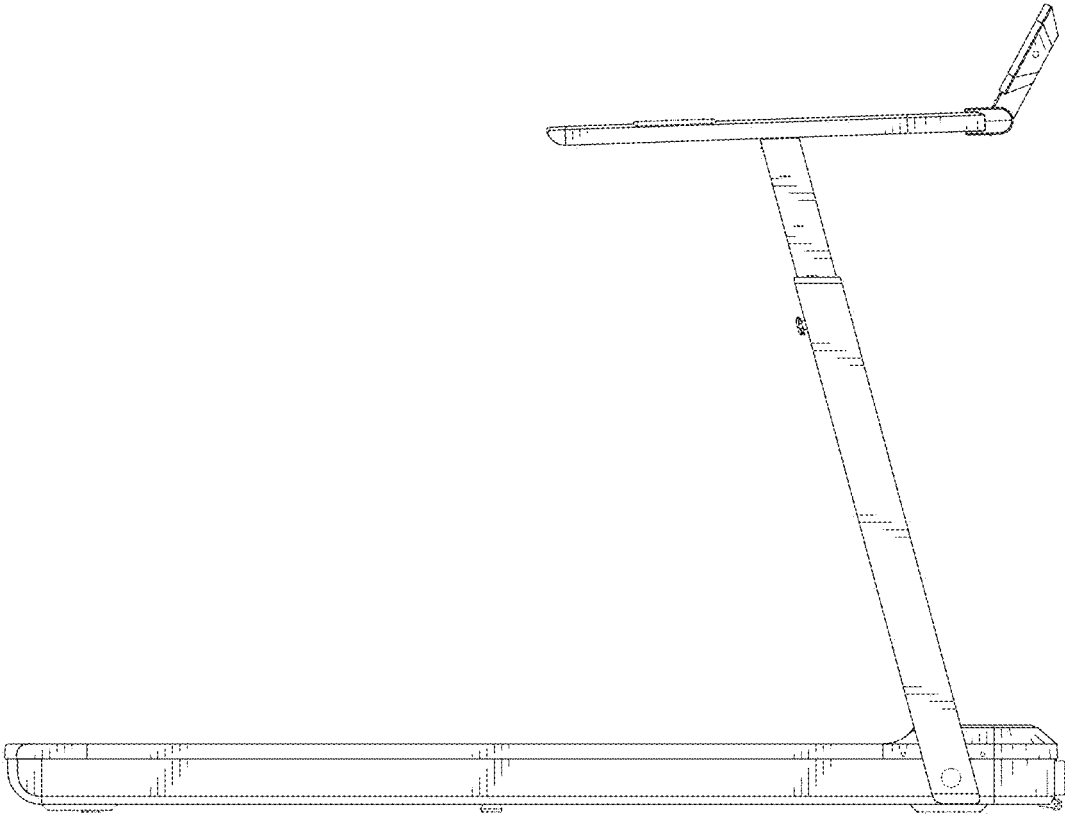


FIG. 5

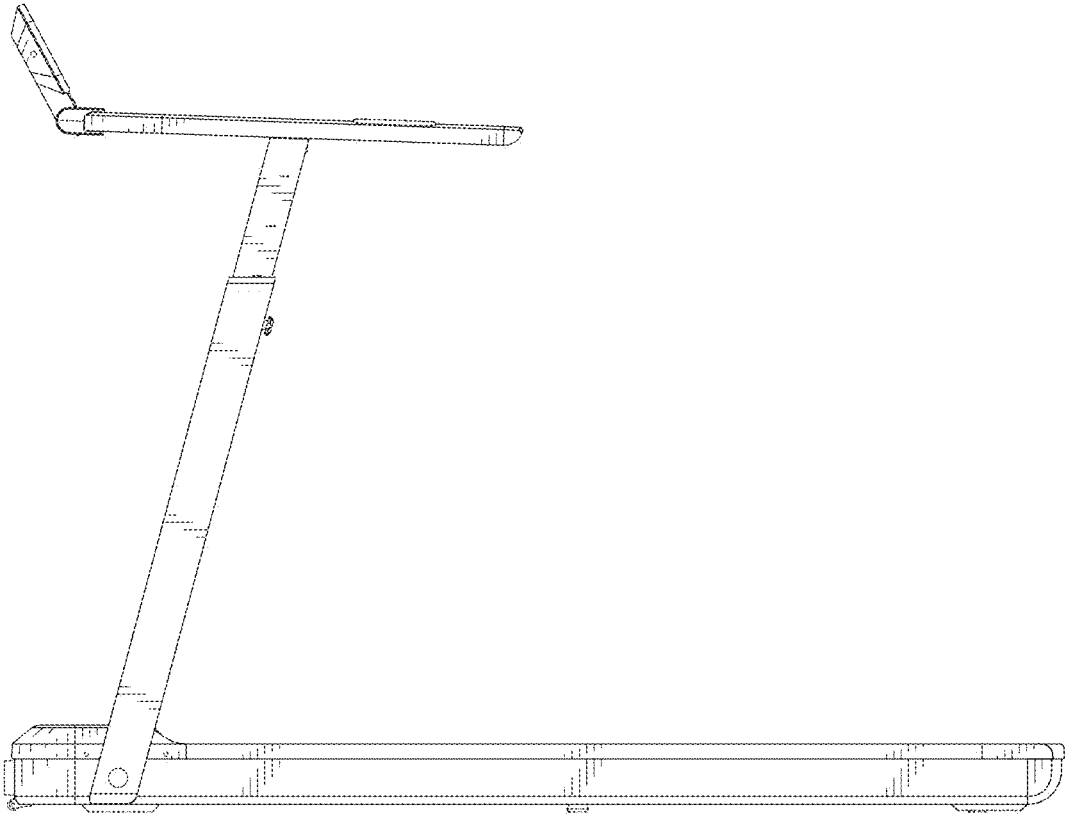


FIG. 6



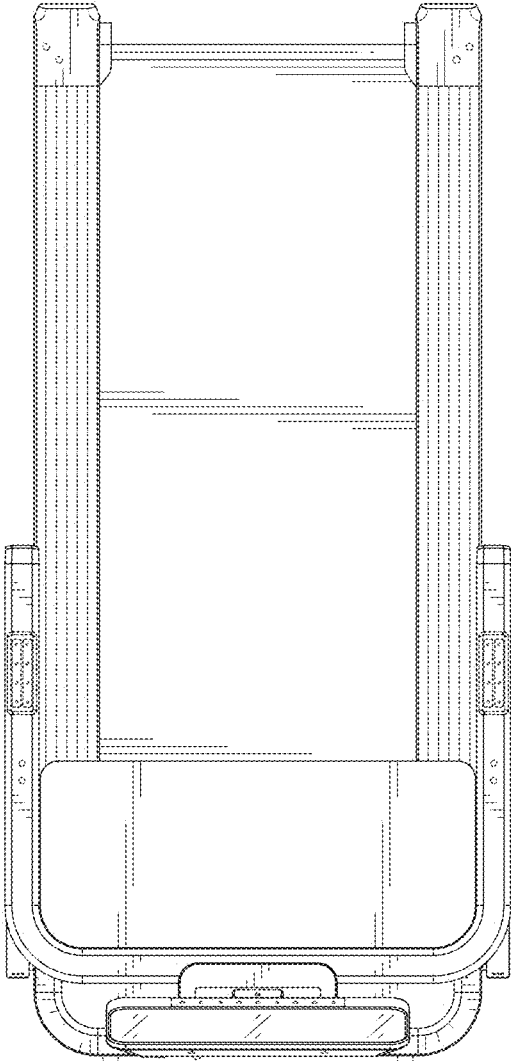


FIG. 7

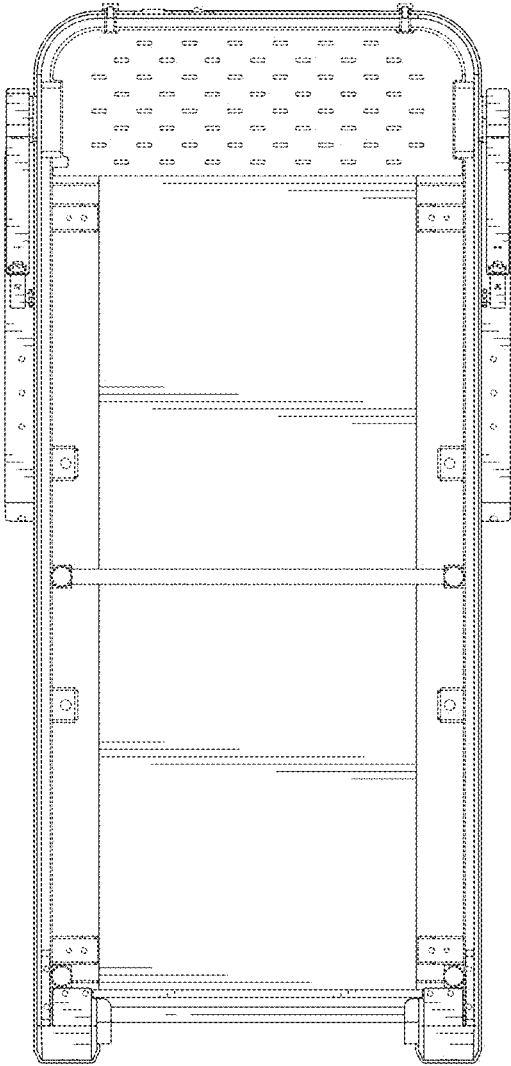


FIG. 8