



US00D621057S

(12) **United States Design Patent**
Astin

(10) **Patent No.:** **US D621,057 S**

(45) **Date of Patent:** **** Aug. 3, 2010**

(54) **PHALLUS RETENTION PANEL**

(76) Inventor: **C. Tres Astin**, 375 N. Stephanie St.,
Suite 1411, Henderson, NV (US) 89014

(**) Term: **14 Years**

(21) Appl. No.: **29/352,835**

(22) Filed: **Dec. 28, 2009**

(51) **LOC (9) Cl.** **24-02**

(52) **U.S. Cl.** **D24/200**

(58) **Field of Classification Search** D24/200,
D24/214, 211, 215, 190, 189, 206, 207; 600/38,
600/39; 601/46, 101, 87, 84, 80, 70, 67,
601/78, 85, 56-59, 86, 90; D29/117.1, 117.2,
D29/120.1, 121.1, 121.2, 122, 100, 101.1-101.5;
D30/151, 152

See application file for complete search history.

(56) **References Cited**

U.S. PATENT DOCUMENTS

496,747 A	5/1893	Polock	
745,264 A	11/1903	Todd	
2,264,934 A	12/1941	Cronk	
4,471,772 A	9/1984	Miller, Jr.	
4,488,541 A	12/1984	García	
4,622,962 A	11/1986	Kauffman	
4,660,551 A	4/1987	Nishimura	
4,724,829 A *	2/1988	Knapps	600/41
5,103,810 A	4/1992	Chang	
D401,341 S	11/1998	Poubouridis	
5,893,827 A	4/1999	Jaquez et al.	

(Continued)

OTHER PUBLICATIONS

<http://store.babeland.com/harnesses-thigh-more/deluxe-packing-pouch>. Accessed Apr. 8, 2010.*

(Continued)

Primary Examiner—Cathron C Brooks
Assistant Examiner—Melanie Levy
(74) *Attorney, Agent, or Firm*—O’Connell Law Firm

(57) **CLAIM**

The ornamental design for a phallus retention panel, as shown and described.

DESCRIPTION

FIG. 1 is a perspective view of the phallus retention panel in a flat configuration;

FIG. 2 is a top plan view of the phallus retention panel of FIG. 1;

FIG. 3 is a bottom plan view of the phallus retention panel of FIG. 1;

FIG. 4 is a view in right side elevation of the phallus retention panel of FIG. 1 with the left side view being a mirror image thereof;

FIG. 5 is a view in front elevation of the phallus retention panel of FIG. 1;

FIG. 6 is a view in rear elevation of the phallus retention panel of FIG. 1;

FIG. 7 is a top plan view of the phallus retention panel of FIG. 1 with the retention panel in an open configuration;

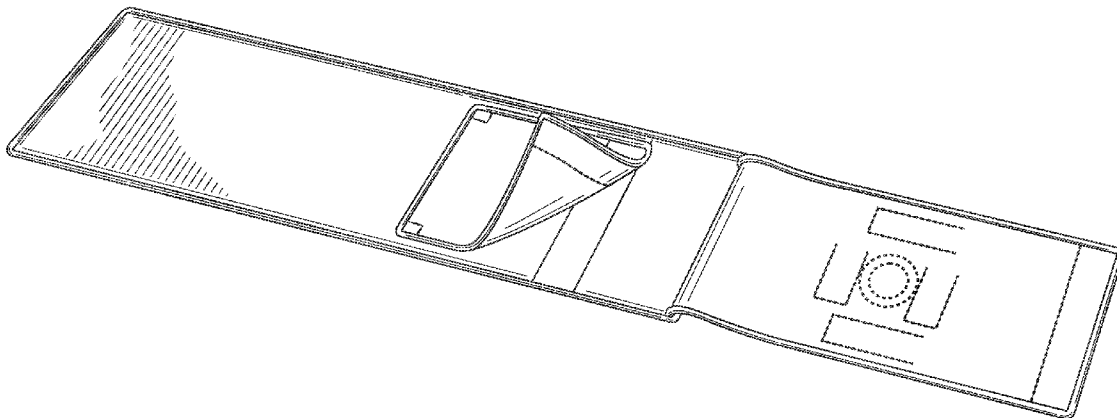
FIG. 8 is a perspective view of the phallus retention panel of FIG. 1 with the retention panel in an open configuration and with a base panel in a partially open configuration; and,

FIG. 9 is a perspective view of the phallus retention panel of FIG. 1 retaining a phallus and applied to a leg.

The broken line showing of the human body in FIG. 9 is environmental matter which forms no part of the claimed design.

The broken lines on the phallus retention panel represent stitching.

1 Claim, 7 Drawing Sheets



US D621,057 S

Page 2

U.S. PATENT DOCUMENTS

D410,742 S 6/1999 Coolidge
6,123,664 A 9/2000 Ard
6,547,717 B1 * 4/2003 Green et al. 600/38
6,656,139 B2 12/2003 Zvezdaryk
D487,844 S * 3/2004 Nichols D3/215
6,849,041 B2 2/2005 Astin
D504,727 S * 5/2005 Schirmacher et al. D24/206
D559,393 S * 1/2008 Schirmacher D24/206

D569,556 S * 5/2008 Cooper et al. D29/117.1
2008/0300452 A1 * 12/2008 Park 600/41

OTHER PUBLICATIONS

<http://store.babeland.com/harnesses-thigh-more/thigh-harness>.
Accessed Apr. 8, 2010.*
Outlaw Leather, The Fix, web site address: <http://www.outlawseattle.com/fix.htm>, Outlaw Leather, Seattle, WA, USA.

* cited by examiner

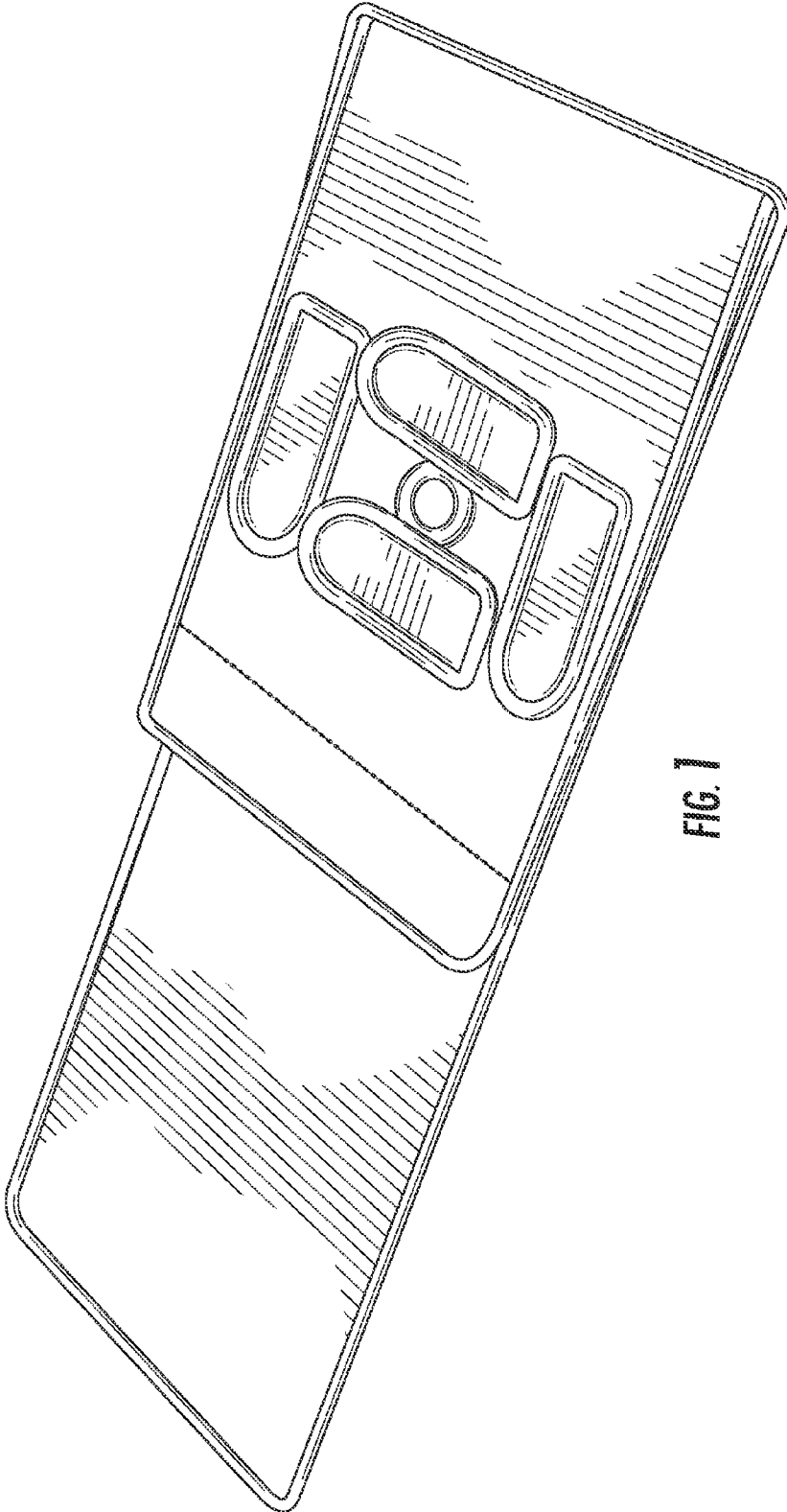


FIG. 1

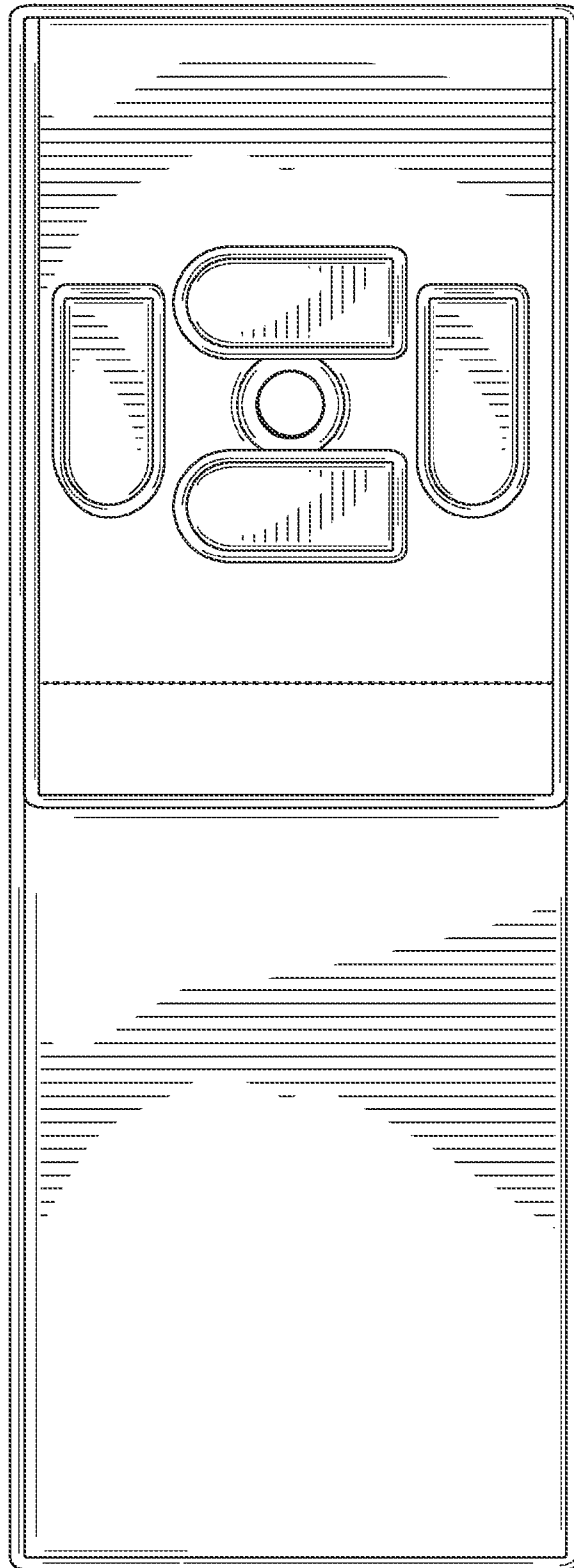


FIG. 2

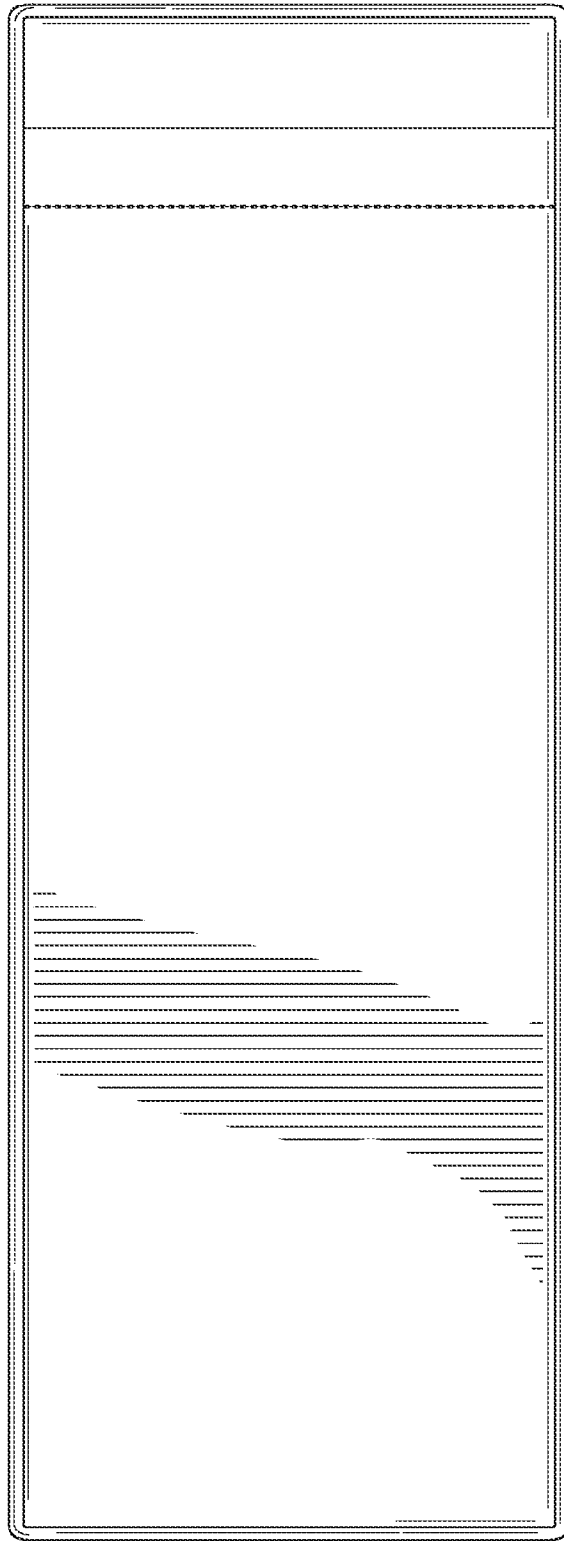


FIG. 3



FIG. 4



FIG. 5



FIG. 6

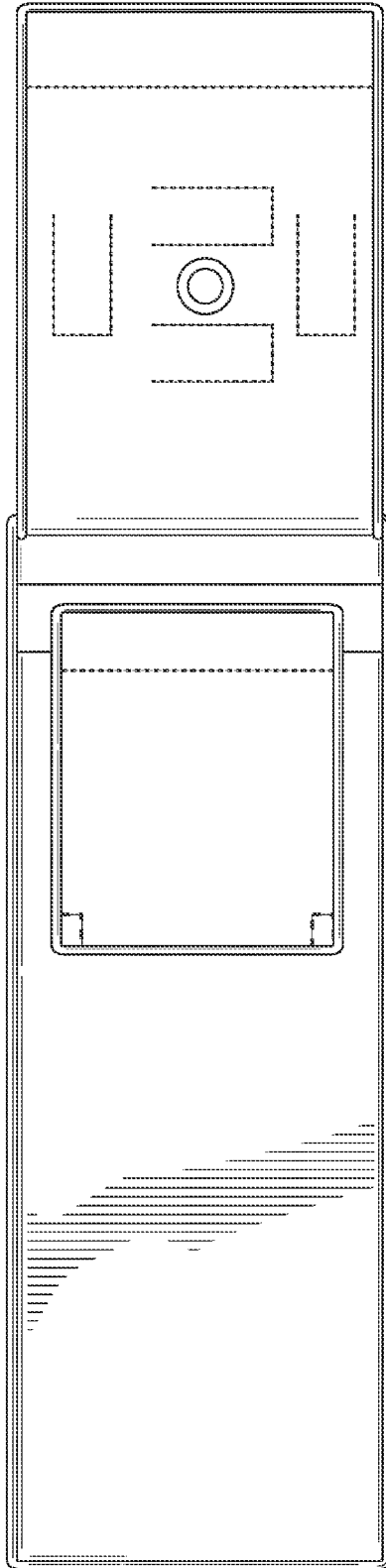


FIG. 7

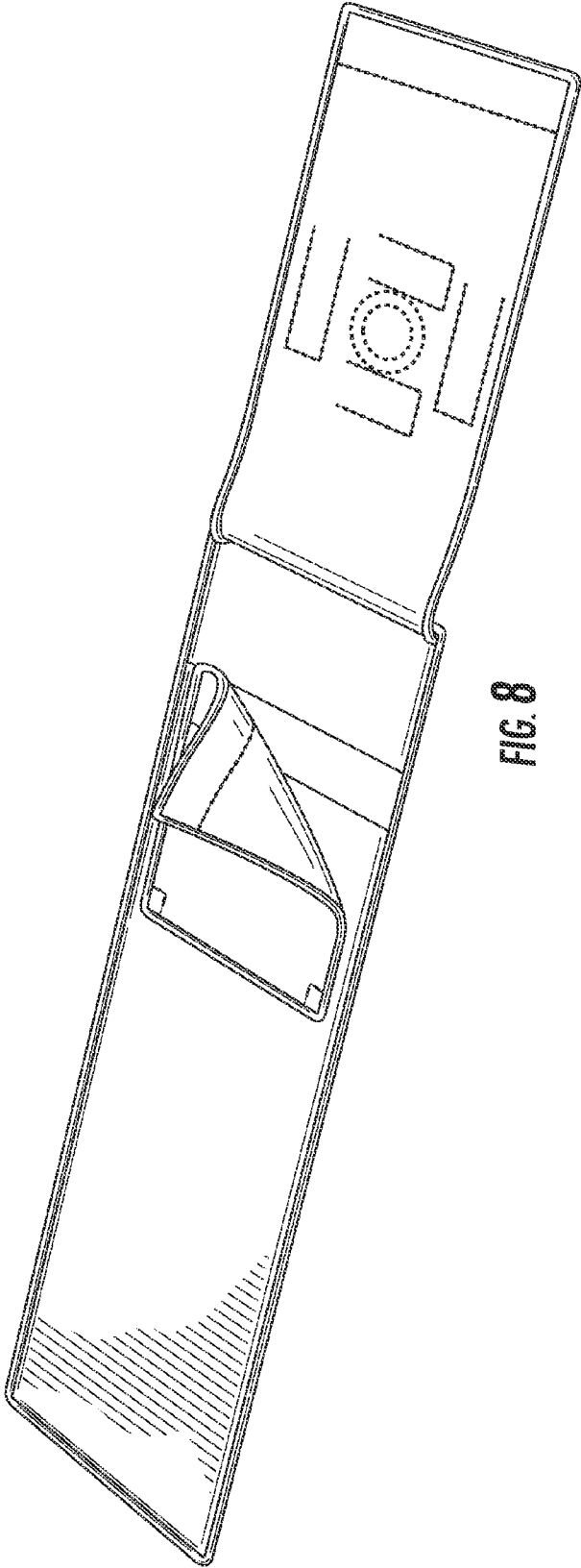


FIG. 8

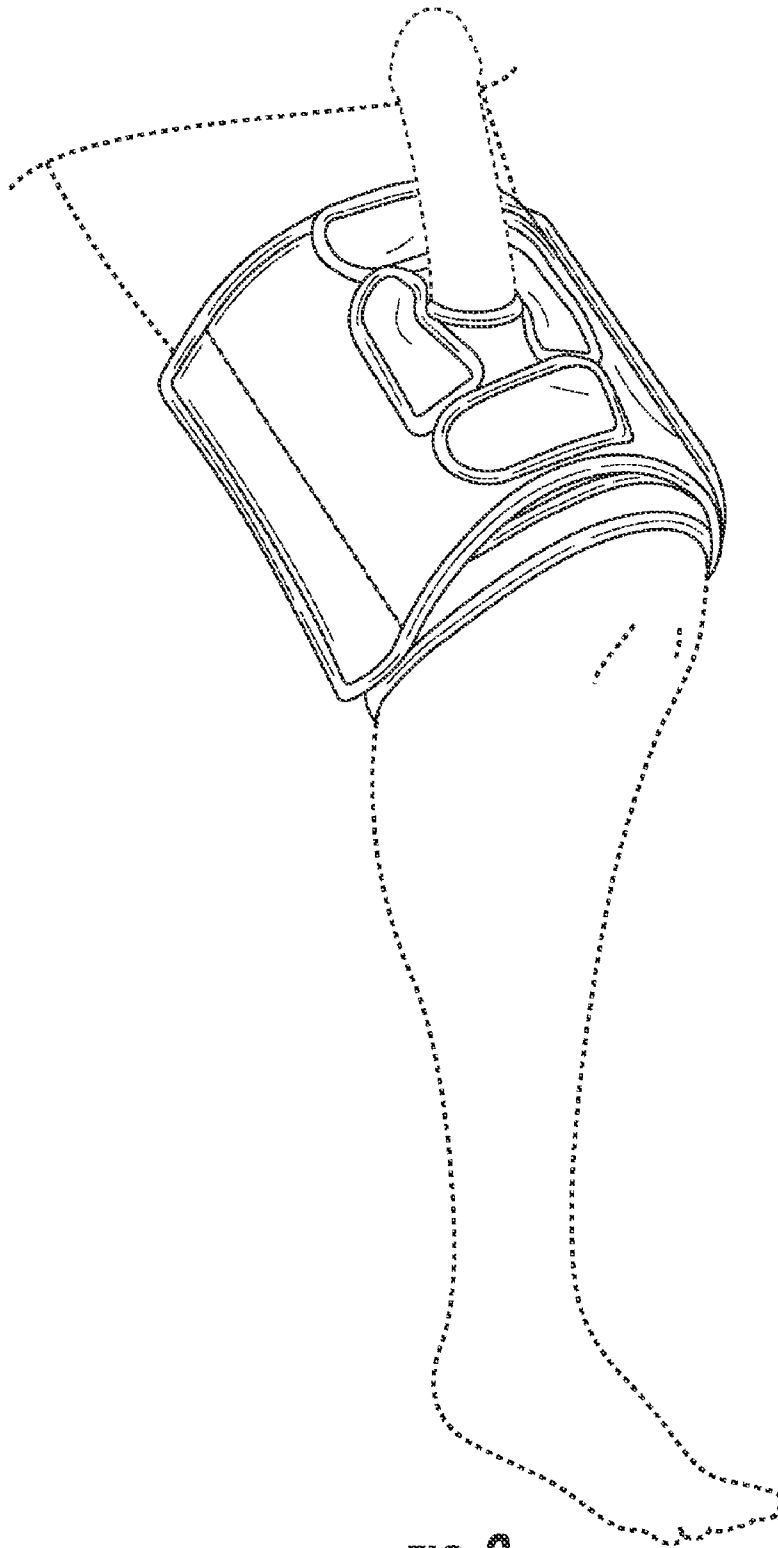


FIG. 9