



US00D677150S

(12) **United States Design Patent**
Barbier

(10) **Patent No.:** **US D677,150 S**

(45) **Date of Patent:** **** Mar. 5, 2013**

(54) **CONTAINER**

(75) Inventor: **Marco Barbier**, Dover, MA (US)

(73) Assignee: **EasyPak LLC**, Leominster, MA (US)

(**) Term: **14 Years**

(21) Appl. No.: **29/382,127**

(22) Filed: **Dec. 29, 2010**

(51) **LOC (9) Cl.** **09-03**

(52) **U.S. Cl.** **D9/424**

(58) **Field of Classification Search** D9/414,
D9/419, 423, 424, 425, 430, 431, 432, 761;
D7/538, 549, 550.1; 206/499, 508, 557,
206/501; 220/23.4, 23.6, 315, 318, 500,
220/659, 669, 675, 696, 752, 760, 790, 793;
229/105, 117.09, 117.26, 189, 406, 407,
229/902, 905, 915.1

See application file for complete search history.

(56) **References Cited**

U.S. PATENT DOCUMENTS

D208,830 S	10/1967	Stockdale	
D212,594 S *	11/1968	Collie	D9/425
4,576,330 A	3/1986	Schepp	
4,616,762 A *	10/1986	Alexander	220/658
D332,917 S	2/1993	McDevitt et al.	
D339,744 S	9/1993	Seppala	
5,456,379 A	10/1995	Krupa et al.	
D378,192 S	2/1997	Krupa et al.	
5,730,311 A *	3/1998	Curtis	220/371
D432,866 S *	10/2000	Harrison	D7/545
6,170,696 B1 *	1/2001	Tucker et al.	220/793
D439,159 S	3/2001	Chen	

D490,309 S	5/2004	Hayes et al.	
D536,992 S	2/2007	Garg et al.	
D583,658 S *	12/2008	Follansbee et al.	D9/425
D588,451 S *	3/2009	Snedden et al.	D9/425
D592,018 S	5/2009	Back	
D615,859 S	5/2010	Barbier	
2004/0118737 A1 *	6/2004	Welsh et al.	206/508
2005/0173287 A1	8/2005	Smith et al.	
2006/0016822 A1	1/2006	Chen	
2009/0145900 A1	6/2009	Maroofian et al.	
2011/0031154 A1	2/2011	Overgaag et al.	

* cited by examiner

Primary Examiner — Stella Reid

Assistant Examiner — Lauren Calve

(74) *Attorney, Agent, or Firm* — Barlow, Josephs & Holmes, Ltd.

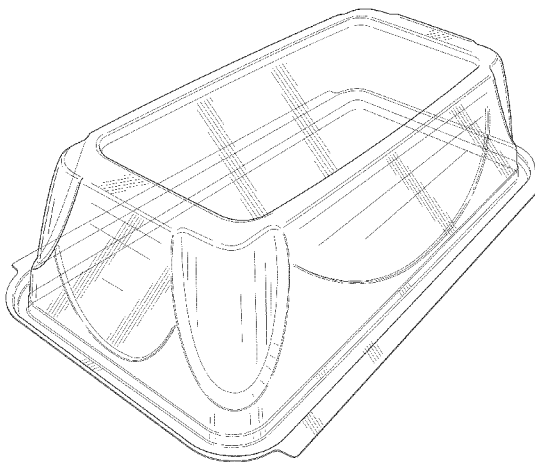
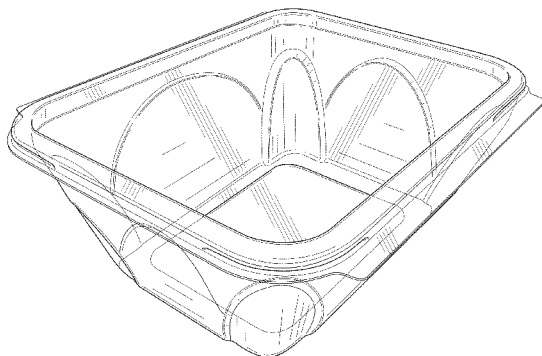
(57) **CLAIM**

The ornamental design for a container, as shown.

DESCRIPTION

FIG. 1 is a top perspective view of the container showing my new design;
 FIG. 2 is a bottom perspective view of the container;
 FIG. 3 is a front view of the container; the rear view being a mirror image thereof;
 FIG. 4 is a left side view of the container; the right side view being a mirror image thereof;
 FIG. 5 is a top view of the container;
 FIG. 6 is a bottom left side perspective view of the container;
 FIG. 7 is a bottom perspective view of a first alternative embodiment of the container of the present invention; and,
 FIG. 8 is a bottom perspective view of a second alternative embodiment of the container of the present invention.

1 Claim, 7 Drawing Sheets



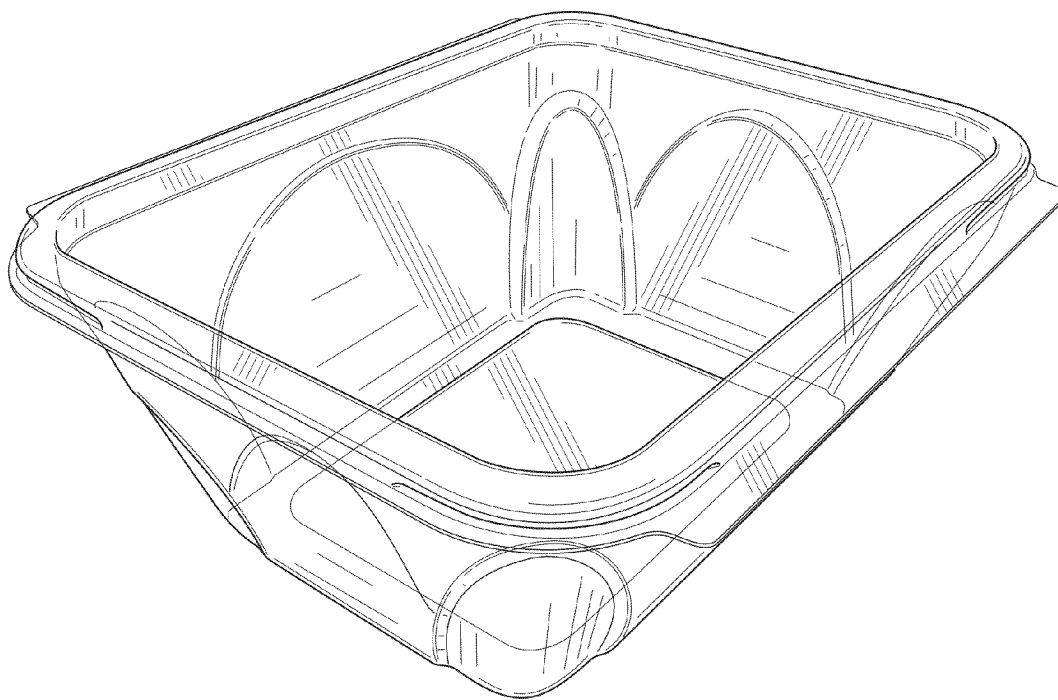


FIG. 1

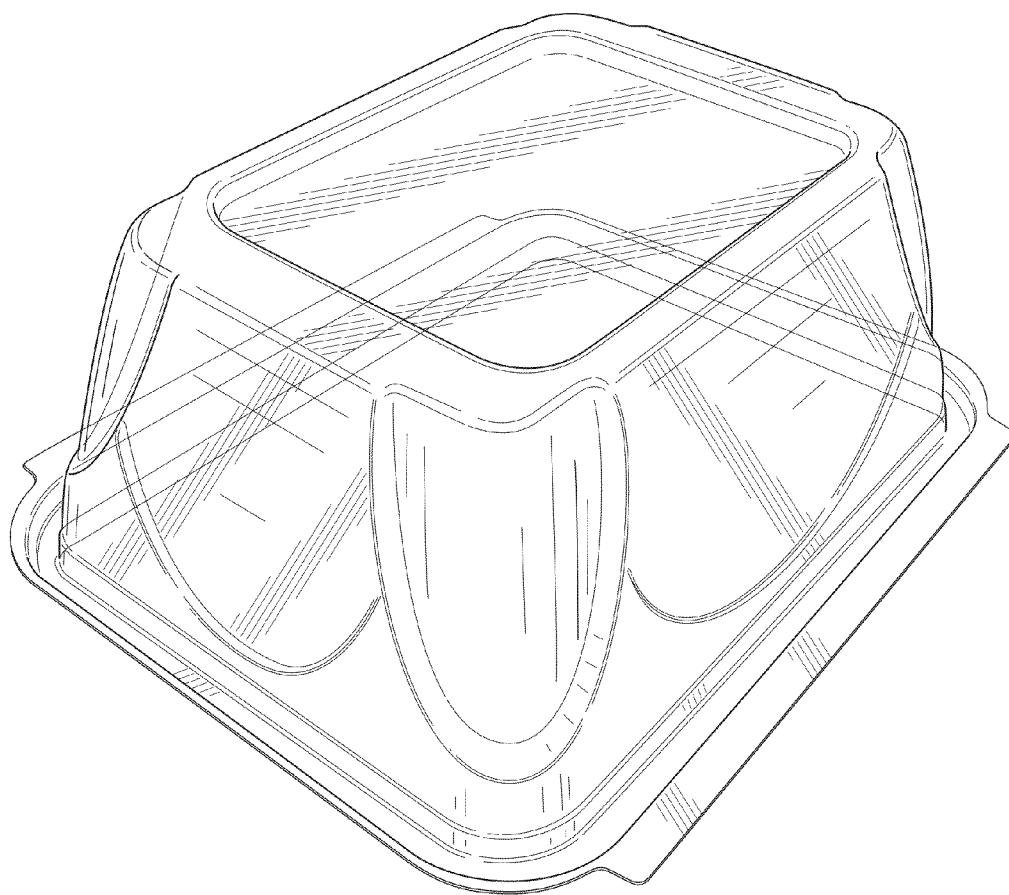


FIG. 2

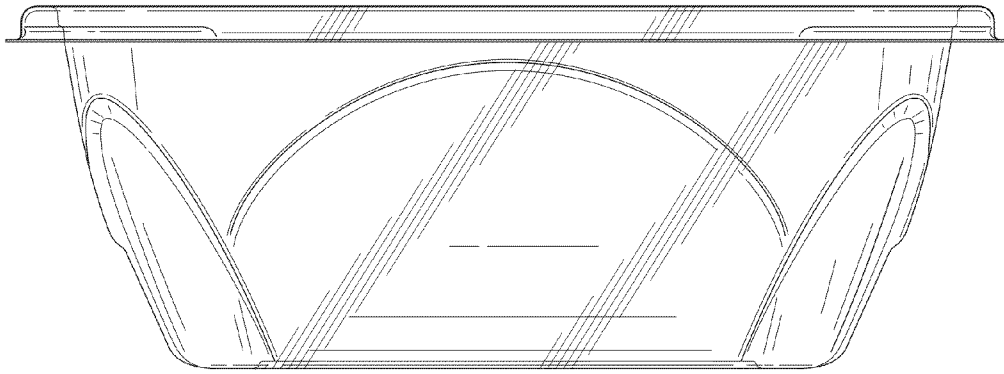


FIG. 3

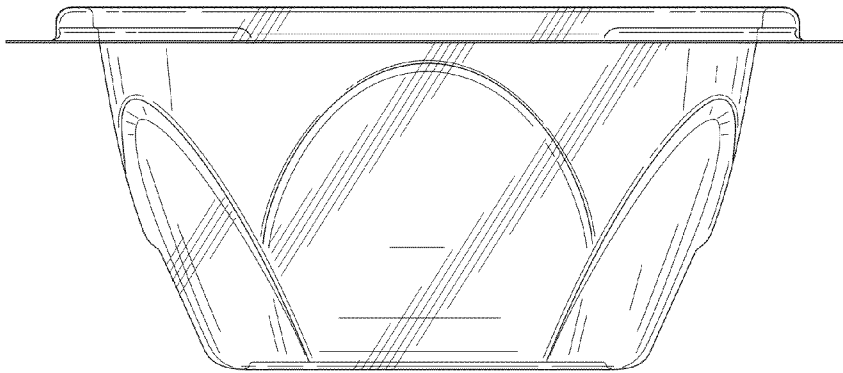


FIG. 4

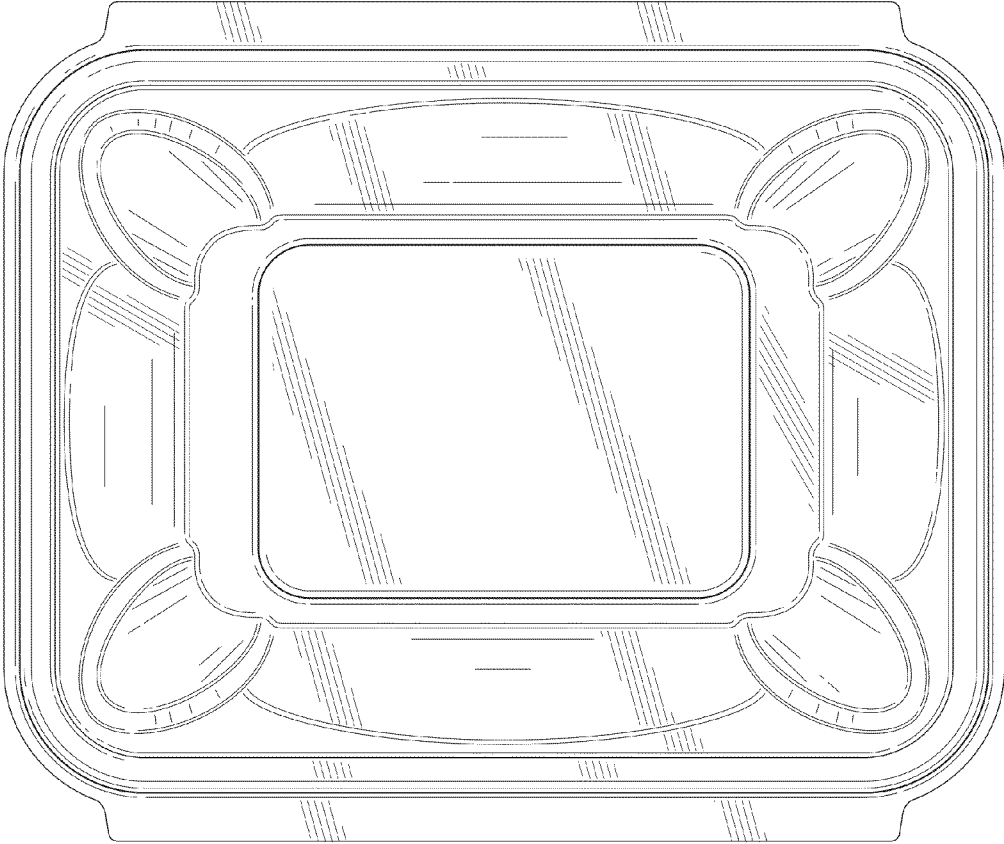


FIG. 5

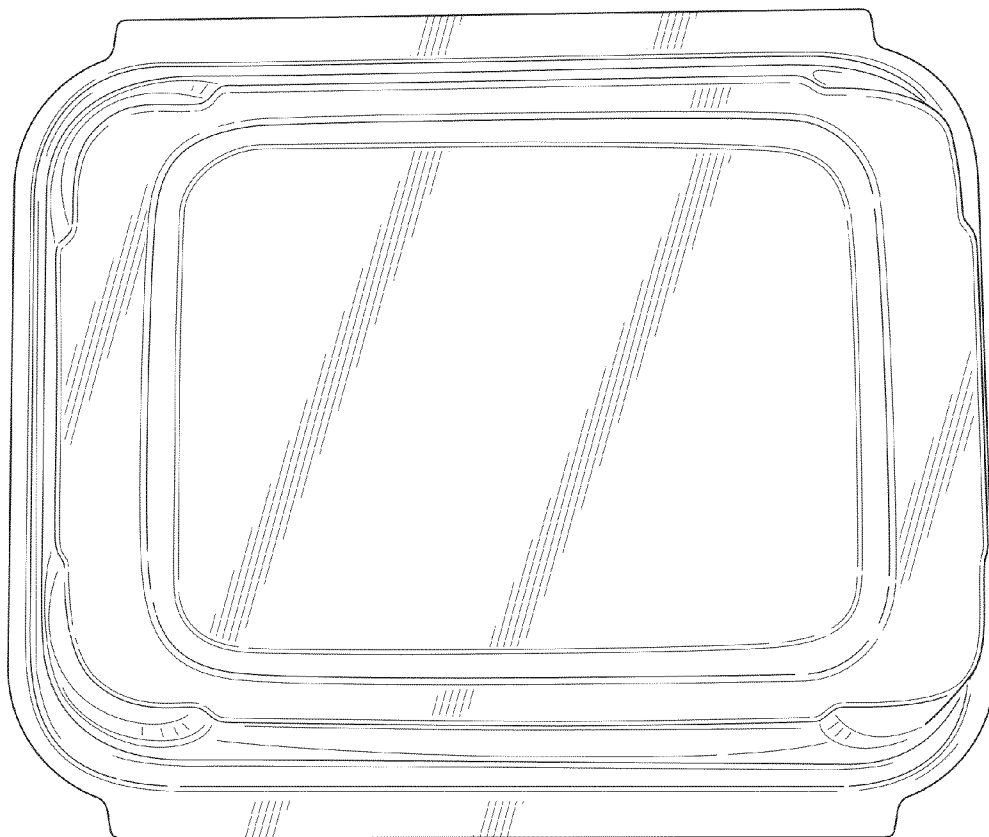


FIG. 6

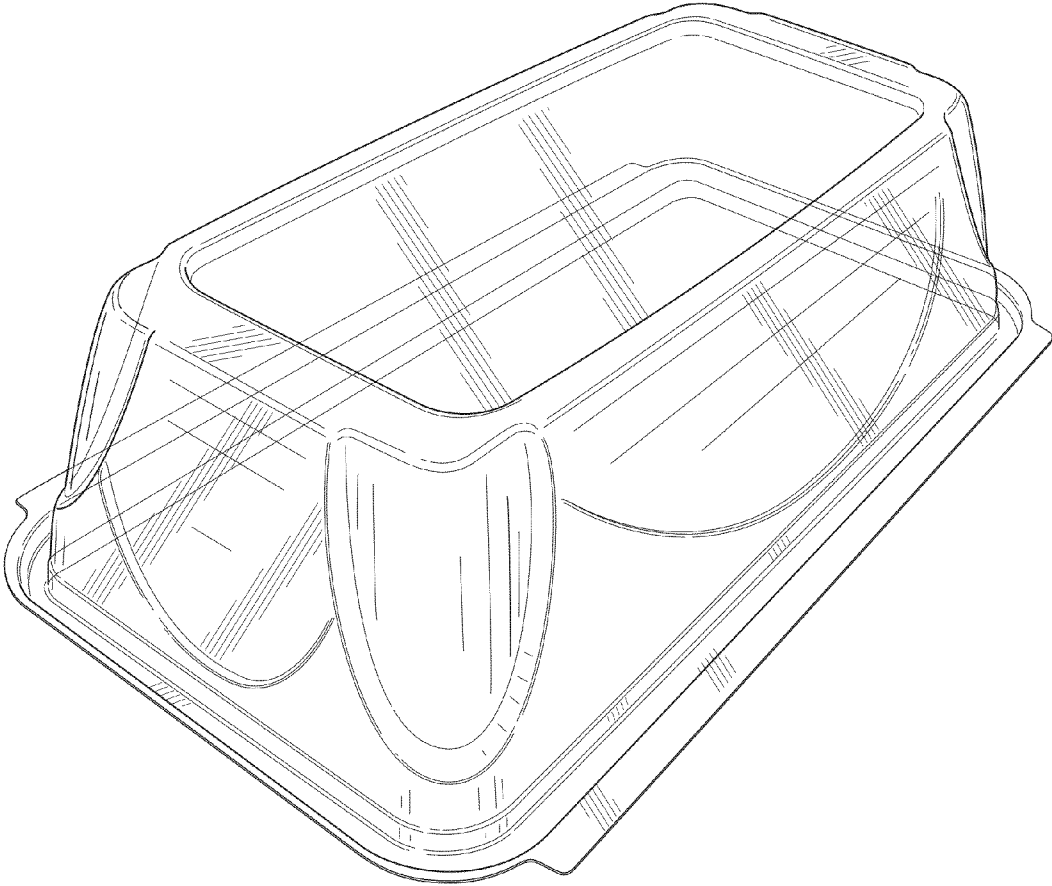


FIG. 7

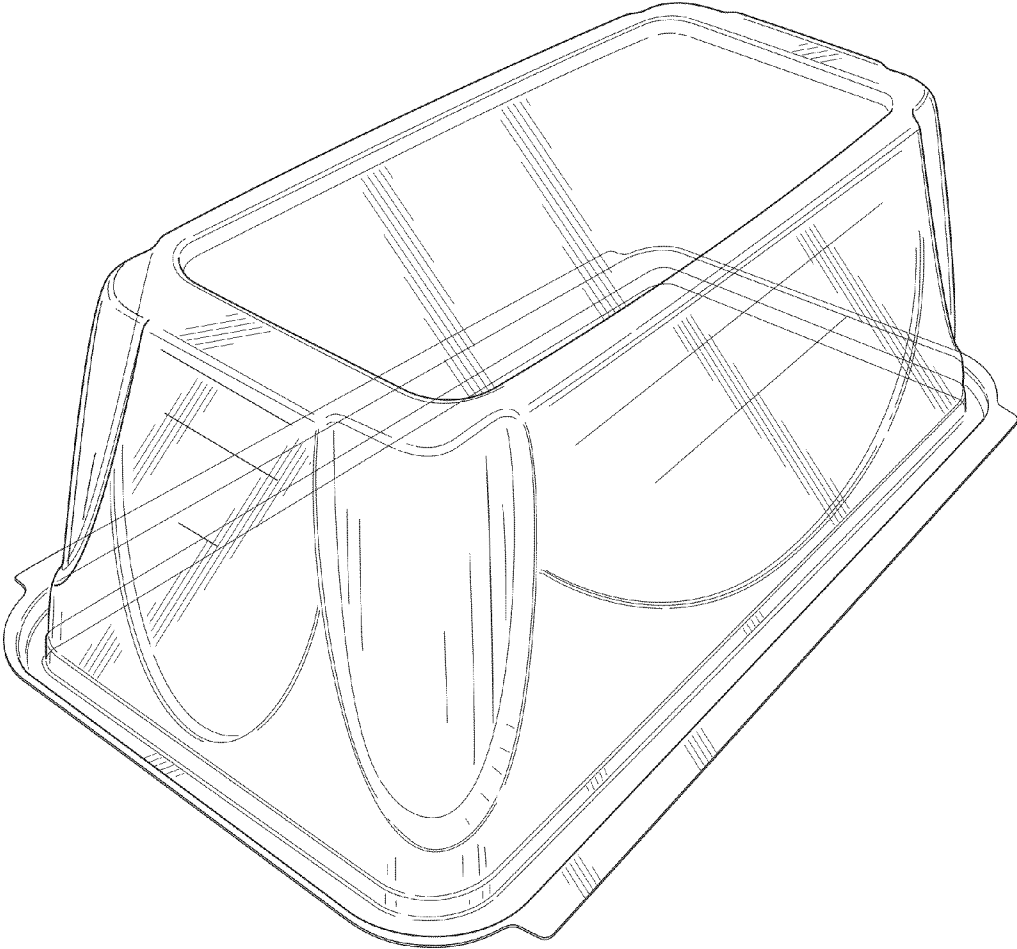


FIG. 8