



(86) **Date de dépôt PCT/PCT Filing Date:** 2013/12/05
 (87) **Date publication PCT/PCT Publication Date:** 2014/06/12
 (85) **Entrée phase nationale/National Entry:** 2015/06/02
 (86) **N° demande PCT/PCT Application No.:** US 2013/073326
 (87) **N° publication PCT/PCT Publication No.:** 2014/089299
 (30) **Priorité/Priority:** 2012/12/05 (US61/733,867)

(51) **Cl.Int./Int.Cl. A61N 1/378** (2006.01),
 A61N 1/36 (2006.01), A61N 1/05 (2006.01),
 A61N 1/372 (2006.01), A61N 1/375 (2006.01)
 (71) **Demandeur/Applicant:**
 MICRON DEVICES LLC, US
 (72) **Inventeurs/Inventors:**
 PERRYMAN, LAURA TYLER, US;
 ANDRESEN, CHAD, US
 (74) **Agent:** SMART & BIGGAR

(54) **Titre : DISPOSITIFS ET PROCÉDES POUR CONNECTER DES DISPOSITIFS IMPLANTABLES A UNE ENERGIE SANS FIL**
 (54) **Title: DEVICES AND METHODS FOR CONNECTING IMPLANTABLE DEVICES TO WIRELESS ENERGY**

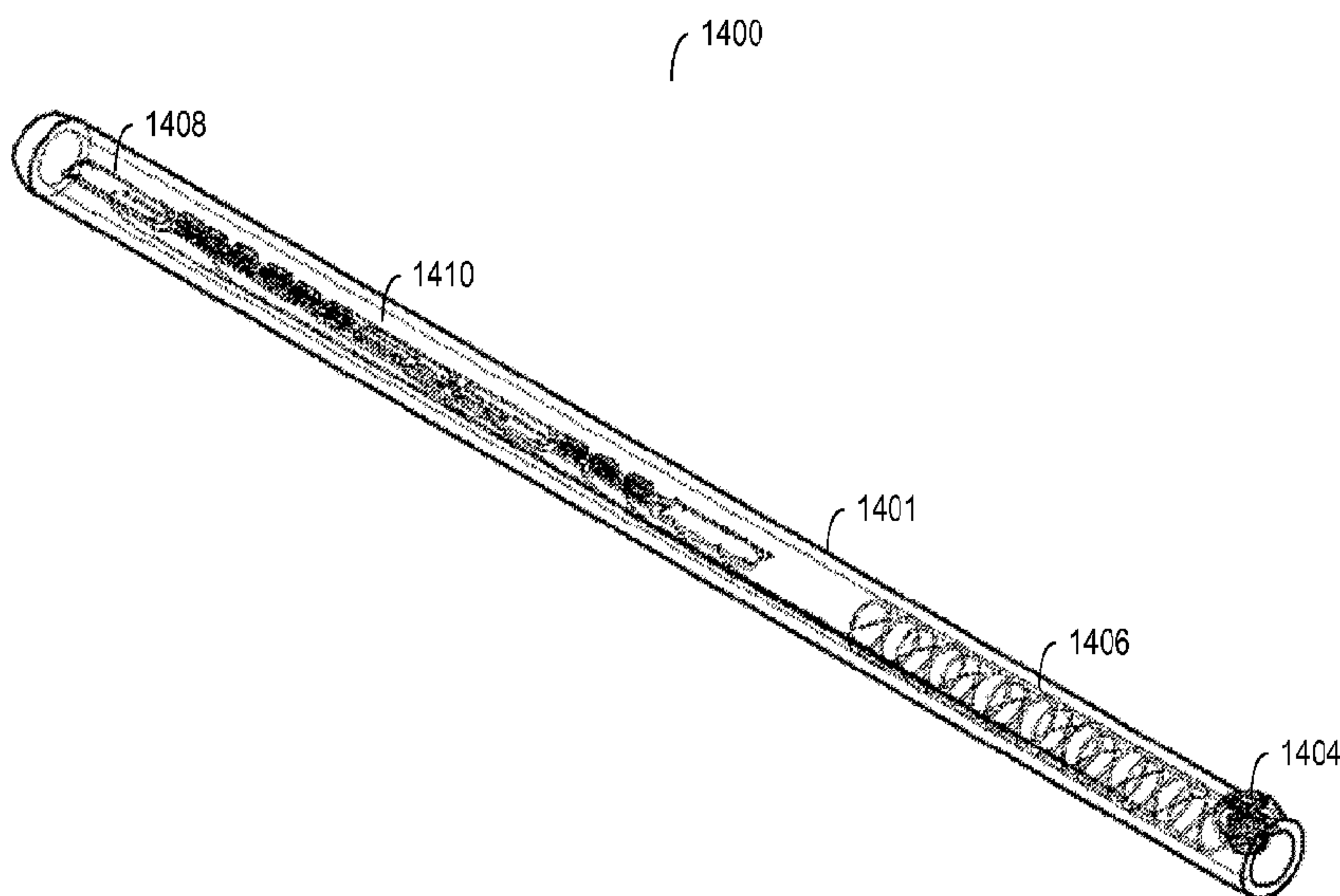


FIG. 14B

(57) **Abrégé/Abstract:**

A device for providing an implantable lead with wireless energy, the device including: a housing configured for implantation in a patient's body; one or more non-inductive antennas substantially enclosed within the housing and configured to receive electromagnetic energy radiated from a source located outside of the patient's body; electronic circuitry coupled to each of the one or more non-inductive antennas and configured to extract electric power and excitation waveforms from the radiated electromagnetic energy as received by the one or more non-inductive antennas; and one or more connection pads substantially enclosed within the housing, wherein the connection pads are configured to couple with one or more electrodes in the implantable lead and form an electric connection over which the connection pads provide the extracted excitation waveforms from the electronic circuit to the electrodes in the implantable lead, the implantable lead being separate from the device.

(12) INTERNATIONAL APPLICATION PUBLISHED UNDER THE PATENT COOPERATION TREATY (PCT)

(19) World Intellectual Property
Organization
International Bureau(43) International Publication Date
12 June 2014 (12.06.2014)(10) International Publication Number
WO 2014/089299 A3

(51) International Patent Classification:

A61N 1/378 (2006.01) A61N 1/05 (2006.01)
A61N 1/375 (2006.01) A61N 1/36 (2006.01)
A61N 1/372 (2006.01)

(21) International Application Number:

PCT/US2013/073326

(22) International Filing Date:

5 December 2013 (05.12.2013)

(25) Filing Language:

English

(26) Publication Language:

English

(30) Priority Data:

61/733,867 5 December 2012 (05.12.2012) US

(72) Inventors; and

(71) Applicants : PERRYMAN, Laura Tyler [US/US];
11445 Via Linda Drive, Suite 2189, Scottsdale, Arizona
85259 (US). ANDRESEN, Chad [US/US]; 6229 W. Ivan-
hoe Street, Chandler, Arizona 85226 (US).

(74) Agents: WANG, Yao et al.; Fish & Richardson P.C., P.O.
Box 1022, Minneapolis, Minnesota 55440-1022 (US).

(81) Designated States (unless otherwise indicated, for every
kind of national protection available): AE, AG, AL, AM,
AO, AT, AU, AZ, BA, BB, BG, BH, BN, BR, BW, BY,
BZ, CA, CH, CL, CN, CO, CR, CU, CZ, DE, DK, DM,

DO, DZ, EC, EE, EG, ES, FI, GB, GD, GE, GH, GM, GT,
HN, HR, HU, ID, IL, IN, IR, IS, JP, KE, KG, KN, KP, KR,
KZ, LA, LC, LK, LR, LS, LT, LU, LY, MA, MD, ME,
MG, MK, MN, MW, MX, MY, MZ, NA, NG, NI, NO, NZ,
OM, PA, PE, PG, PH, PL, PT, QA, RO, RS, RU, RW, SA,
SC, SD, SE, SG, SK, SL, SM, ST, SV, SY, TH, TJ, TM,
TN, TR, TT, TZ, UA, UG, US, UZ, VC, VN, ZA, ZM,
ZW.

(84) Designated States (unless otherwise indicated, for every
kind of regional protection available): ARIPO (BW, GH,
GM, KE, LR, LS, MW, MZ, NA, RW, SD, SL, SZ, TZ,
UG, ZM, ZW), Eurasian (AM, AZ, BY, KG, KZ, RU, TJ,
TM), European (AL, AT, BE, BG, CH, CY, CZ, DE, DK,
EE, ES, FI, FR, GB, GR, HR, HU, IE, IS, IT, LT, LU, LV,
MC, MK, MT, NL, NO, PL, PT, RO, RS, SE, SI, SK, SM,
TR), OAPI (BF, BJ, CF, CG, CI, CM, GA, GN, GQ, GW,
KM, ML, MR, NE, SN, TD, TG).

Published:

- with international search report (Art. 21(3))
- before the expiration of the time limit for amending the
claims and to be republished in the event of receipt of
amendments (Rule 48.2(h))

(88) Date of publication of the international search report:

2 October 2014

(54) Title: DEVICES AND METHODS FOR CONNECTING IMPLANTABLE DEVICES TO WIRELESS ENERGY

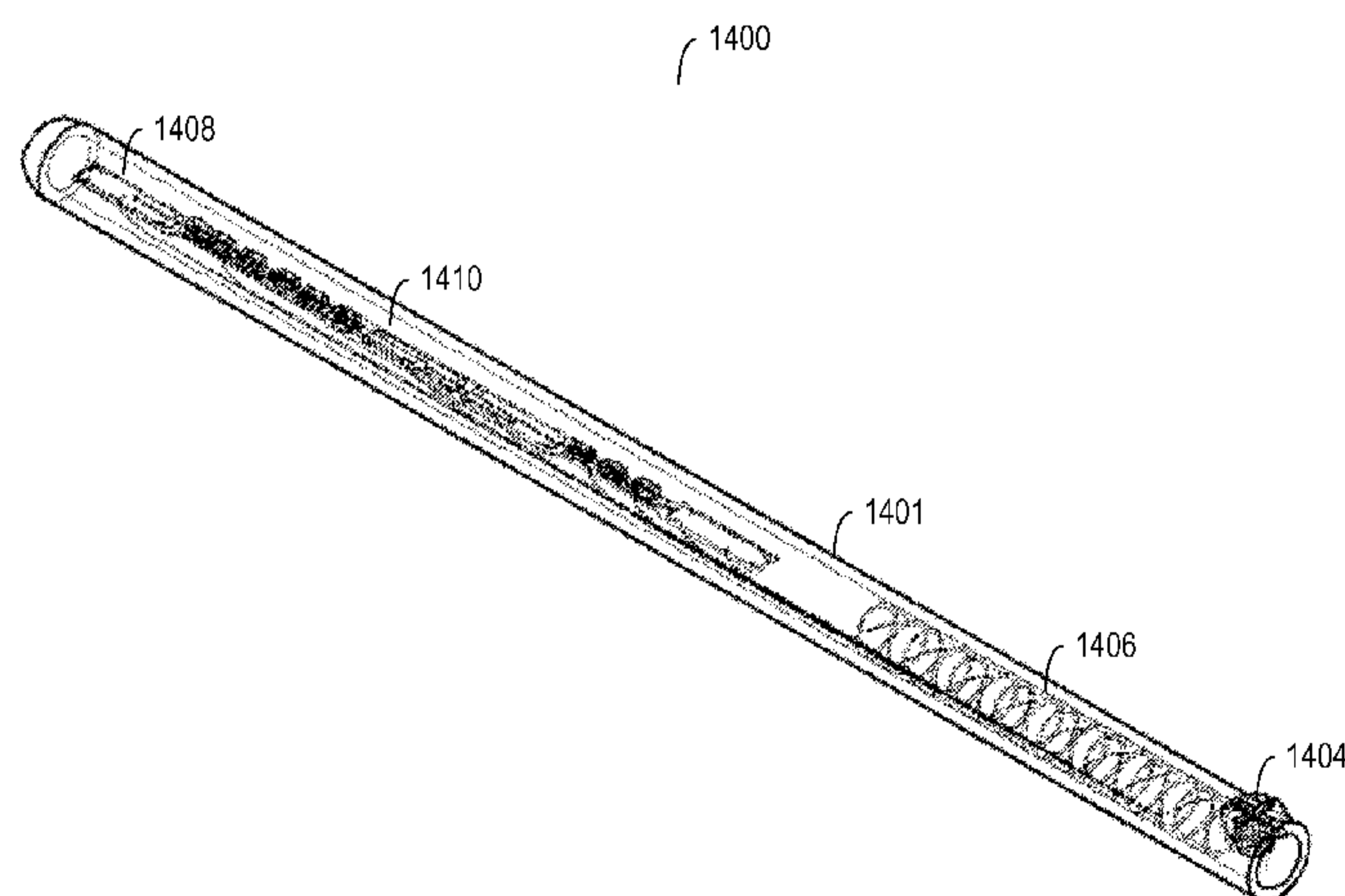
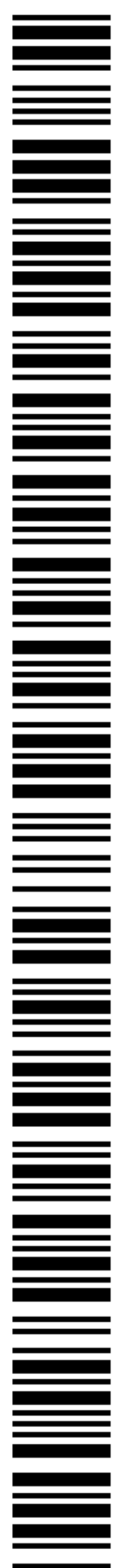


FIG. 14B

(57) Abstract: A device for providing an implantable lead with wireless energy, the device including: a housing configured for im-
plantation in a patient's body; one or more non-inductive antennas substantially enclosed within the housing and configured to re-
ceive electromagnetic energy radiated from a source located outside of the patient's body; electronic circuitry coupled to each of the
one or more non-inductive antennas and configured to extract electric power and excitation waveforms from the radiated electromag-
netic energy as received by the one or more non-inductive antennas; and one or more connection pads substantially enclosed within
the housing, wherein the connection pads are configured to couple with one or more electrodes in the implantable lead and form an
electric connection over which the connection pads provide the extracted excitation waveforms from the electronic circuit to the
electrodes in the implantable lead, the implantable lead being separate from the device.



WO 2014/089299 A3

configured to receive electromagnetic energy radiated from a source located outside of the patient's body; electronic circuitry coupled to each of the one or more non-inductive antennas and configured to extract electric power and excitation waveforms from the radiated electromagnetic energy as received by the one or more non-inductive antennas; and one or more connection pads substantially enclosed within the housing, wherein the connection pads are configured to couple with one or more electrodes in the implantable lead and form an electric connection over which the connection pads provide the extracted excitation waveforms from the electronic circuit to the electrodes in the implantable lead, the implantable lead being separate from the device.

Implementations may include the following features. The connection pads may be configured to mate with at least one connector of the electrode of the implantable lead by a form fit between the connection pads and the at least one connector. The device may further include at least one set screw to tighten the mated connection pads and the at least one connector in forming the electric connection from the connection pads to the at least one connector of the electrode of the implantable lead.

The electronic circuitry may include one or more diodes and one or more charge balancing components, wherein the one or more diodes are configured to extract the electric power and excitation waveforms, and wherein the one or more charge balancing components are configured to facilitate distributing the excitation waveforms to the connection pads.

The non-inductive antennas may include two to ten non-inductive antennas, each having a length from about 0.25 cm to 12 cm. The connection pads may include two to eight connection pads spaced apart from each other and each having a length of 1 cm or less.

The housing may include a hollow biocompatible tube having a distal opening configured for receiving at least a portion of the implantable lead. The connection pads are circumferential connection pads spaced from each other around an inside surface of the hollow tube and configured to mate with electrode contacts on the implantable lead. The implantable lead may include a

paddle lead comprising a plurality of electrode contacts and wherein the connection pads are longitudinally spaced from each other on an inside surface of the hollow tube and configured for mating to the electrode contacts of the paddle lead. The hollow tube comprises a Y-shaped proximal end having first and second tubes, wherein the connection pads are arranged on an inside surface of the first tube and an inside surface of the second tube, wherein the connection pads on the inside surface of the first tube are configured to mate to at least one connector of an electrode of a first implantable lead, and wherein the connection pads on the inside surface of the second tube are configured to mate to at least one connector of an electrode of a second implantable lead.

The housing may be from about ten to fifty centimeter in length. The connection pads may be separated from each other by a distance of about 0.1 to 1.0 cm. The housing may include a hollow tube having a diameter small enough to pass through a 12 to 22-gauge tube.

In one embodiment, the housing of the connector receiver device preferably comprises of a hollow tube having a distal opening for receiving the male connector portion of an implantable lead and an overall length of between about 6 cm to 50 cm. The hollow tube may be sized to pass through a standard 12 to 22 gauge introducer tube, such as a cannula or needle. The internal connection pads preferably have a length of less than 1 cm and are arranged on the inside surface of the distal portion of the tube, preferably spaced from each other so as to mate with the male connector contacts on an implantable lead. In certain embodiments, the connection pads have a substantially circumferential shape and are wrapped around the inside surface of the tube. In other embodiments, the pads may have other shapes that conform to the shape of the male connector contacts on the implantable lead.

The antennas may comprise non-inductive antennas, such as dipoles, each having a length of between about 0.25 cm to 12 cm and configured to receive an input signal containing energy and waveform parameters through radiative coupling from a remote source outside of the patient's body (up to 3 feet away from the patient). The connector receiver device may include a plurality of

such antennas, from one to 20, preferably between one to four, preferably arranged on the proximal end portion of the device.

The electronic circuitry within the connector receiver device preferably comprises of components configured for receiving energy from the input signal to power the device. In the preferred embodiment, all of the power requirements are supplied by energy transmitted from the remote source. Thus, the connector receiver device does not require a battery or other energy storage component, such as a high voltage capacitor. The circuitry within the connector receiver device may comprise of flexible circuits configured to generate one or more electrical impulses from the waveform parameters in the input signal and then route the impulses through the connection pads to an implantable lead. The electrical impulses are sufficient to modulate a nerve or nerve ganglion at the target site.

In another embodiment, the connector receiver device comprises of a Y-shaped tube having a proximal end with first and second hollow tubes. The connection pads are arranged on an inside surface of the first hollow tube and second hollow tube, mated to another tubing segment containing the electronic circuitry.

In another aspect, a system for modulating excitable tissue in a body of a patient includes: a connector receiver device for connecting to an implantable lead in the patient's body, the connector device including; one or more receiving antennas; one or more connection pads; and an electronic circuit coupled to the non-inductive antennas and the connection pads; a control device having a transmitter located outside of the patient's body and configured to transmit an input signal containing electrical energy and waveform parameters to the receiving antennas through radiative coupling; and wherein the electronic circuit is configured to convert the waveform parameters into one or more electrical impulses sufficient to modulate excitable tissue; and wherein the connection pads are configured to couple with one or more electrodes in the implantable lead and form an electric connection over which the connection pads provide the

one or more pulses from the electronic circuit to the electrodes in the implantable lead, the implantable lead being separate from the connector receiver device.

Implementations may include the following features. The connector receiver device may include an enclosure for housing the receiving antennas, connection pads and electronic circuitry, the enclosure comprising a substantially hollow tube with a distal end configured for receiving at least a portion of the implantable lead.

The electronic circuit may include: one or more diodes and one or more charge balancing components. The control device may include a transmitting antenna configured to transmit the input signal through a carrier signal having a frequency between about 300 MHz and 8 GHz. The control device may include a pulse generator configured to generate an electrical impulse with a frequency of about 10 to 500 Hz. The control device may be configured to transmit the input signal at least 10 cm from an outer skin surface of the patient through tissue to the target site.

The connector receiver device may be coated with a biocompatible material, such as polyurethane or silicon and the internal connection pads preferably comprise MP35N, platinum, platinum/iridium or other biocompatible alloy.

In another embodiment, the implantable lead may further comprise recording or sensing electrodes configured to sense data or information related to the stimulation parameters. In this embodiment, the connector receiver device will contain telemetry circuitry configured to transmit wirelessly the recorded sensing information to a controller located outside of the patient's body. This facilitates a close looped therapy wherein the stimulation parameters may be adjusted to optimize the waveform and the therapy applied to the patient.

In another aspect, a method for modulating excitable tissue in a body of a patient includes: coupling one or more connection pads on a connector receiver device to one or more electrodes in an implantable stimulation device; advancing the connector receiver device and the implantable stimulation device to a target site in the patient's body adjacent to or near an excitable tissue; radiating an

input signal containing energy and waveform parameters from a location outside of the patient's body to one or more antennas in the connector device such that the waveform parameters are converted to one or more electrical impulses and the electrical impulses are applied to the electrodes in the implantable stimulation
5 device.

Implementations may include the following features. Coupling may include mating a distal end of a hollow tube of the connector receiver device to a proximal end of the implantable stimulation device. Coupling may occur within the patient's body at the target site. Radiating the input signal may include
10 radiating the input signal on a carrier signal having a frequency between about 300 MHz and 8 GHz.

In certain embodiments, the connector receiver device is coupled to the implantable lead outside of the patient's body and both devices are then advanced together to a target site within the body. In other embodiments, the
15 connector receiver device is mated to the implantable lead within the patient's body at the target site. In these embodiments, the lead may already be implanted and directly wired to an implanted pulse generator. The lead is disconnected from the implanted pulse generator and mated with the connector receiver device such that the lead can be powered wirelessly through the connector receiver
20 device. This allows the operator to, for example, replace a wired implanted pulse generator that has expended its battery life with wireless energy to avoid recharging and/or replacing the implantable pulse generator.

The systems, devices and methods for modulating excitable tissue of the exiting spinal nerves are more completely described in the following detailed
25 description of some implementations, with reference to the drawings provided herewith, and in claims appended hereto. Other aspects, features, advantages, etc. will become apparent to one skilled in the art when the description of some implementations herein is taken in conjunction with the accompanying drawings.

30

BRIEF DESCRIPTION OF THE DRAWINGS

FIG. 1 depicts a high-level diagram of an example of a connector receiver device.

FIG. 2 depicts a detailed diagram of an example of the connector receiver device.

5 **FIG. 3** is a flowchart showing an example of the operation of the connector receiver device.

FIG. 4 is a circuit diagram showing an example of a connector receiver device.

10 **FIG. 5** is a circuit diagram of another example of a connector receiver device.

FIG. 6 is a block diagram showing an example of control and feedback functions of a wireless stimulation device.

FIG. 7 is a schematic showing an example of a connector receiver device with components to implement control and feedback functions.

15 **FIG. 8** is a schematic of an example of a polarity routing switch network.

FIG. 9A is a diagram of an example microwave field stimulator (MFS) operating along with a connector receiver device.

FIG. 9B is a diagram of another example MFS operating along with a wireless stimulation device.

20 **FIG. 10** is a detailed diagram of an example MFS.

FIG. 11 is a flowchart showing an example process in which the MFS transmits polarity setting information to the connector receiver device.

25 **FIG. 12** is another flow chart showing an example process in which the MFS receives and processes the telemetry feedback signal to make adjustments to subsequent transmissions.

FIG. 13 is a schematic of an example implementation of power, signal and control flow on the connector receiver device.

FIG. 14A to **FIG. 14D** illustrate a connector receiver device 1400 according to some implementations.

30 **FIG. 15** illustrates a connector receiver device being mated with an implantable lead.

FIG. 16 illustrates a Y-shaped connector receiver device.

DETAILED DESCRIPTION

In various implementations, systems and methods are disclosed for
5 applying one or more electrical impulses to targeted excitable tissue, such as
nerves, for treating chronic pain, inflammation, arthritis, sleep apnea, seizures,
incontinence, pain associated with cancer, incontinence, problems of movement
initiation and control, involuntary movements, vascular insufficiency, heart
arrhythmias, obesity, diabetes, craniofacial pain, such as migraines or cluster
10 headaches, and other disorders. In certain embodiments, a wireless stimulation
device may be used to send electrical energy to targeted nerve tissue by using
remote radio frequency (RF) energy with neither cables nor inductive coupling to
power the passive implanted wireless stimulation device. The targeted nerves
can include, but are not limited to, the spinal cord and surrounding areas,
15 including the dorsal horn, dorsal root ganglion, the exiting nerve roots, nerve
ganglions, the dorsal column fibers and the peripheral nerve bundles leaving the
dorsal column and brain, such as the vagus, occipital, trigeminal, hypoglossal,
sacral, coccygeal nerves and the like.

A wireless stimulation system can include an implantable lead body with
20 one or more electrodes and a connector receiver device comprising of an
enclosure that houses one or more conductive antennas (for example, dipole or
patch antennas), internal circuitry for frequency waveform and electrical energy
rectification, and one or more connection pads for coupling to the implantable
lead. The connector receiver device may further comprise an external controller
25 and antenna for sending radio frequency or microwave energy from an external
source to the connector receiver device with neither cables nor inductive coupling
to provide power.

In various embodiments, the connector receiver device is powered
wirelessly (and therefore does not require a wired connection) and contains the
30 circuitry necessary to receive the pulse instructions from a source external to the
body. For example, various embodiments employ internal dipole (or other)

antenna configuration(s) to receive RF power through electrical radiative coupling. This allows such devices to produce electrical currents capable of stimulating nerve bundles without a physical connection to an implantable pulse generator (IPG) or use of an inductive coil. Further descriptions of exemplary wireless systems for providing neural stimulation to a patient can be found in commonly-assigned, co-pending published PCT applications PCT/US2012/23029 filed January 28, 2011, PCT/US2012/32200 filed April 11, 2011, PCT/US2012/48903, filed January 28, 2011, PCT/US2012/50633, filed August 12, 2011 and PCT/US2012/55746, filed September 15, 2011, the complete disclosures of which have been previously incorporated by reference.

FIG. 1 depicts a high-level diagram of an example of a connector receiver device. The connector receiver device may include four major components, namely, a programmer module **102**, a RF pulse generator module **106**, a transmit (TX) antenna **110** (for example, a patch antenna, slot antenna, or a dipole antenna), and an implanted wireless stimulation device **114**. Note that Figs. 1-13 do not separately describe the connector receiver device and implantable lead, but rather describe them as one element that is already connected together and operating as a single unit (a wireless stimulation device). In these figures, it can be assumed that the wireless stimulation device 114 incorporates both a connector receiver device 1400, such as the one shown in FIG. 14A and an implantable lead 1602, such as the one shown in FIG. 16. The separate connector receiver device and implantable lead are more fully described in FIGS. 14-18. The programmer module **102** may be a computer device, such as a smart phone, running a software application that supports a wireless connection **114**, such as Bluetooth®. The application can enable the user to view the system status and diagnostics, change various parameters, increase/decrease the desired stimulus amplitude of the electrode pulses, and adjust feedback sensitivity of the RF pulse generator module **106**, among other functions.

The RF pulse generator module **106** may include communication electronics that support the wireless connection **104**, the stimulation circuitry, and the battery to power the generator electronics. In some implementations, the RF

pulse generator module **106** includes the TX antenna embedded into its packaging form factor while, in other implementations, the TX antenna is connected to the RF pulse generator module **106** through a wired connection **108** or a wireless connection (not shown). The TX antenna **110** may be coupled
5 directly to tissue to create an electric field that powers the implanted neural stimulator module **114**. The TX antenna **110** communicates with the implanted neural stimulator module **114** through an RF interface. For instance, the TX antenna **110** radiates an RF transmission signal that is modulated and encoded
10 by the RF pulse generator module **110**. The implanted wireless stimulation device of module **114** contains one or more antennas, such as dipole antenna(s), to receive and transmit through RF interface **112**. In particular, the coupling mechanism between antenna **110** and the one or more antennas on the implanted wireless stimulation device of module **114** utilizes electrical radiative coupling and not inductive coupling. In other words, the coupling is through an
15 electric field rather than a magnetic field.

Through this electrical radiative coupling, the TX antenna **110** can provide an input signal to the implanted stimulation module **114**. This input signal contains energy and may contain information encoding stimulus waveforms to be applied at the electrodes of the implanted stimulation module **114**. In some
20 implementations, the power level of this input signal directly determines an applied amplitude (for example, power, current, or voltage) of the one or more electrical pulses created using the electrical energy contained in the input signal. Within the implanted wireless stimulation device **114** are components for demodulating the RF transmission signal, and electrodes to deliver the
25 stimulation to surrounding neuronal tissue.

The RF pulse generator module **106** can be implanted subcutaneously, or it can be worn external to the body. When external to the body, the RF generator module **106** can be incorporated into a belt or harness design to allow for electric radiative coupling through the skin and underlying tissue to transfer power and/or
30 control parameters to the implanted wireless stimulation device module **114**. In either event, receiver circuit(s) internal to the wireless stimulation device **114** (or

connector device 1400 shown in FIG. 14A) can capture the energy radiated by the TX antenna **110** and convert this energy to an electrical waveform. The receiver circuit(s) may further modify the waveform to create an electrical pulse suitable for the stimulation of neural tissue.

5 In some implementations, the RF pulse generator module **106** can remotely control the stimulus parameters (that is, the parameters of the electrical pulses applied to the neural tissue) and monitor feedback from the wireless stimulation device **114** based on RF signals received from the implanted wireless stimulation device module **114**. A feedback detection algorithm implemented by
10 the RF pulse generator module **106** can monitor data sent wirelessly from the implanted wireless stimulation device module **114**, including information about the energy that the implanted wireless stimulation device **114** is receiving from the RF pulse generator and information about the stimulus waveform being delivered to the electrode pads. In order to provide an effective therapy for a
15 given medical condition, the system can be tuned to provide the optimal amount of excitation or inhibition to the nerve fibers by electrical stimulation. A closed loop feedback control method can be used in which the output signals from the implanted wireless stimulation device **114** are monitored and used to determine the appropriate level of neural stimulation current for maintaining effective
20 neuronal activation, or, in some cases, the patient can manually adjust the output signals in an open loop control method.

FIG. 2 depicts a detailed diagram of an example of the wireless stimulation device. As depicted, the programming module **102** may comprise user input system **202** and communication subsystem **208**. The user input
25 system **221** may allow various parameter settings to be adjusted (in some cases, in an open loop fashion) by the user in the form of instruction sets. The communication subsystem **208** may transmit these instruction sets (and other information) via the wireless connection **104**, such as Bluetooth or Wi-Fi, to the RF pulse generator module **106**, as well as receive data from module **106**.

30 For instance, the programmer module **102**, which can be utilized for multiple users, such as a patient's control unit or clinician's programmer unit, can

be used to send stimulation parameters to the RF pulse generator module **106**. The stimulation parameters that can be controlled may include pulse amplitude, pulse frequency, and pulse width in the ranges shown in Table 1. In this context the term pulse refers to the phase of the waveform that directly produces stimulation of the tissue; the parameters of the charge-balancing phase (described below) can similarly be controlled. The patient and/or the clinician can also optionally control overall duration and pattern of treatment.

Stimulation Parameter Table 1

Pulse Amplitude:	0 to 20 mA
Pulse Frequency:	0 to 10000 Hz
Pulse Width:	0 to 2 ms

The RF pulse generator module **114** may be initially programmed to meet the specific parameter settings for each individual patient during the initial implantation procedure. Because medical conditions or the body itself can change over time, the ability to re-adjust the parameter settings may be beneficial to ensure ongoing efficacy of the neural modulation therapy.

The programmer module **102** may be functionally a smart device and associated application. The smart device hardware may include a CPU **206** and be used as a vehicle to handle touchscreen input on a graphical user interface (GUI) **204**, for processing and storing data.

The RF pulse generator module **106** may be connected via wired connection **108** to an external TX antenna **110**. Alternatively, both the antenna and the RF pulse generator are located subcutaneously (not shown).

The signals sent by RF pulse generator module **106** to the implanted wireless stimulation device **114** may include both power and parameter-setting attributes in regards to stimulus waveform, amplitude, pulse width, and frequency. The RF pulse generator module **106** can also function as a wireless receiving unit that receives feedback signals from the implanted wireless

stimulation device **114**. To that end, the RF pulse generator module **106** may contain microelectronics or other circuitry to handle the generation of the signals transmitted to the device **114** as well as handle feedback signals, such as those from the device **114**. For example, the RF pulse generator module **106** may
5 comprise controller subsystem **214**, high-frequency oscillator **218**, RF amplifier **216**, a RF switch, and a feedback subsystem **212**.

The controller subsystem **214** may include a CPU **230** to handle data processing, a memory subsystem **228** such as a local memory, communication subsystem **234** to communicate with programmer module **102** (including
10 receiving stimulation parameters from programmer module), pulse generator circuitry **236**, and digital/analog (D/A) converters **232**.

The controller subsystem **214** may be used by the patient and/or the clinician to control the stimulation parameter settings (for example, by controlling the parameters of the signal sent from RF pulse generator module **106** to the
15 device **114**). These parameter settings can affect, for example, the power, current level, or shape of the one or more electrical pulses. The programming of the stimulation parameters can be performed using the programming module **102**, as described above, to set the repetition rate, pulse width, amplitude, and waveform that will be transmitted by RF energy to the receive (RX) antenna **238**,
20 typically a dipole antenna (although other types may be used), in the implanted wireless stimulation device **214**. The clinician may have the option of locking and/or hiding certain settings within the programmer interface, thus limiting the patient's ability to view or adjust certain parameters because adjustment of certain parameters may require detailed medical knowledge of neurophysiology,
25 neuroanatomy, protocols for neural modulation, and safety limits of electrical stimulation.

The controller subsystem **214** may store received parameter settings in the local memory subsystem **228**, until the parameter settings are modified by new input data received from the programming module **102**. The CPU **206** may
30 use the parameters stored in the local memory to control the pulse generator circuitry **236** to generate a stimulus waveform that is modulated by a high

frequency oscillator **218** in the range from **300** MHz to **8** GHz (preferably between about 700 MHz and 5.8 GHz and more preferably between about 800 MHz and 1.3 GHz). The resulting RF signal may then be amplified by RF amplifier **226** and then sent through an RF switch **223** to the TX antenna **110** to reach through depths of tissue to the RX antenna **238**.

In some implementations, the RF signal sent by TX antenna **110** may simply be a power transmission signal used by the wireless stimulation device module **114** to generate electric pulses. In other implementations, a telemetry signal may also be transmitted to the wireless stimulation device module **114** to send instructions about the various operations of the wireless stimulation device module **114**. The telemetry signal may be sent by the modulation of the carrier signal (through the skin if external, or through other body tissues if the pulse generator module **106** is implanted subcutaneously). The telemetry signal is used to modulate the carrier signal (a high frequency signal) that is coupled onto the implanted antenna(s) **238** and does not interfere with the input received on the same lead to power the wireless stimulation device. In one embodiment the telemetry signal and powering signal are combined into one signal, where the RF telemetry signal is used to modulate the RF powering signal, and thus the wireless stimulation device is powered directly by the received telemetry signal; separate subsystems in the wireless stimulation device harness the power contained in the signal and interpret the data content of the signal.

The RF switch **223** may be a multipurpose device such as a dual directional coupler, which passes the relatively high amplitude, extremely short duration RF pulse to the TX antenna **110** with minimal insertion loss while simultaneously providing two low-level outputs to feedback subsystem **212**; one output delivers a forward power signal to the feedback subsystem **212**, where the forward power signal is an attenuated version of the RF pulse sent to the TX antenna **110**, and the other output delivers a reverse power signal to a different port of the feedback subsystem **212**, where reverse power is an attenuated version of the reflected RF energy from the TX Antenna **110**.

During the on-cycle time (when an RF signal is being transmitted to wireless stimulation device **114**), the RF switch **223** is set to send the forward power signal to feedback subsystem. During the off-cycle time (when an RF signal is not being transmitted to the wireless stimulation device module **114**), the
5 RF switch **223** can change to a receiving mode in which the reflected RF energy and/or RF signals from the wireless stimulation device module **114** are received to be analyzed in the feedback subsystem **212**.

The feedback subsystem **212** of the RF pulse generator module **106** may include reception circuitry to receive and extract telemetry or other feedback
10 signals from the wireless stimulation device **114** and/or reflected RF energy from the signal sent by TX antenna **110**. The feedback subsystem may include an amplifier **226**, a filter **224**, a demodulator **222**, and an A/D converter **220**.

The feedback subsystem **212** receives the forward power signal and converts this high-frequency AC signal to a DC level that can be sampled and
15 sent to the controller subsystem **214**. In this way the characteristics of the generated RF pulse can be compared to a reference signal within the controller subsystem **214**. If a disparity (error) exists in any parameter, the controller subsystem **214** can adjust the output to the RF pulse generator **106**. The nature of the adjustment can be, for example, proportional to the computed error. The
20 controller subsystem **214** can incorporate additional inputs and limits on its adjustment scheme such as the signal amplitude of the reverse power and any predetermined maximum or minimum values for various pulse parameters.

The reverse power signal can be used to detect fault conditions in the RF-power delivery system. In an ideal condition, when TX antenna **110** has perfectly
25 matched impedance to the tissue that it contacts, the electromagnetic waves generated from the RF pulse generator **106** pass unimpeded from the TX antenna **110** into the body tissue. However, in real-world applications a large degree of variability may exist in the body types of users, types of clothing worn, and positioning of the antenna **110** relative to the body surface. Since the
30 impedance of the antenna **110** depends on the relative permittivity of the underlying tissue and any intervening materials, and also depends on the overall

separation distance of the antenna from the skin, in any given application there can be an impedance mismatch at the interface of the TX antenna **110** with the body surface. When such a mismatch occurs, the electromagnetic waves sent from the RF pulse generator **106** are partially reflected at this interface, and this
5 reflected energy propagates backward through the antenna feed.

The dual directional coupler RF switch **223** may prevent the reflected RF energy propagating back into the amplifier **226**, and may attenuate this reflected RF signal and send the attenuated signal as the reverse power signal to the feedback subsystem **212**. The feedback subsystem **212** can convert this high-
10 frequency AC signal to a DC level that can be sampled and sent to the controller subsystem **214**. The controller subsystem **214** can then calculate the ratio of the amplitude of the reverse power signal to the amplitude of the forward power signal. The ratio of the amplitude of reverse power signal to the amplitude level of forward power may indicate severity of the impedance mismatch.

15 In order to sense impedance mismatch conditions, the controller subsystem **214** can measure the reflected-power ratio in real time, and according to preset thresholds for this measurement, the controller subsystem **214** can modify the level of RF power generated by the RF pulse generator **106**. For example, for a moderate degree of reflected power the course of action can be
20 for the controller subsystem **214** to increase the amplitude of RF power sent to the TX antenna **110**, as would be needed to compensate for slightly non-optimum but acceptable TX antenna coupling to the body. For higher ratios of reflected power, the course of action can be to prevent operation of the RF pulse generator **106** and set a fault code to indicate that the TX antenna **110** has little
25 or no coupling with the body. This type of reflected-power fault condition can also be generated by a poor or broken connection to the TX antenna. In either case, it may be desirable to stop RF transmission when the reflected-power ratio is above a defined threshold, because internally reflected power can lead to unwanted heating of internal components, and this fault condition means the
30 system cannot deliver sufficient power to the implanted wireless stimulation device and thus cannot deliver therapy to the user.

The controller **242** of the wireless stimulation device **114** may transmit informational signals, such as a telemetry signal, through the antenna **238** to communicate with the RF pulse generator module **106** during its receive cycle. For example, the telemetry signal from the wireless stimulation device **114** may be coupled to the modulated signal on the dipole antenna(s) **238**, during the on and off state of the transistor circuit to enable or disable a waveform that produces the corresponding RF bursts necessary to transmit to the external (or remotely implanted) pulse generator module **106**. The antenna(s) **238** may be connected to electrodes **254** in contact with tissue to provide a return path for the transmitted signal. An A/D (not shown) converter can be used to transfer stored data to a serialized pattern that can be transmitted on the pulse-modulated signal from the internal antenna(s) **238** of the wireless stimulation device **114**.

A telemetry signal from the implanted wireless stimulation device module **114** may include stimulus parameters such as the power or the amplitude of the current that is delivered to the tissue from the electrodes. The feedback signal can be transmitted to the RF pulse generator module **116** to indicate the strength of the stimulus at the nerve bundle by means of coupling the signal to the implanted RX antenna **238**, which radiates the telemetry signal to the external (or remotely implanted) RF pulse generator module **106**. The feedback signal can include either or both an analog and digital telemetry pulse modulated carrier signal. Data such as stimulation pulse parameters and measured characteristics of stimulator performance can be stored in an internal memory device within the implanted stimulation device **114**, and sent on the telemetry signal. The frequency of the carrier signal may be in the range of at **300** MHz to **8** GHz (preferably between about 700 MHz and 5.8 GHz and more preferably between about 800 MHz and 1.3 GHz).

In the feedback subsystem **212**, the telemetry signal can be down modulated using demodulator **222** and digitized by being processed through an analog to digital (A/D) converter **220**. The digital telemetry signal may then be routed to a CPU **230** with embedded code, with the option to reprogram, to translate the signal into a corresponding current measurement in the tissue

based on the amplitude of the received signal. The CPU **230** of the controller subsystem **214** can compare the reported stimulus parameters to those held in local memory **228** to verify the wireless stimulation device **114** delivered the specified stimuli to tissue. For example, if the wireless stimulation device reports
5 a lower current than was specified, the power level from the RF pulse generator module **106** can be increased so that the implanted wireless stimulation device **114** will have more available power for stimulation. The implanted wireless stimulation device **114** can generate telemetry data in real time, for example, at a rate of **8** Kbits per second. All feedback data received from the implanted lead
10 module **114** can be logged against time and sampled to be stored for retrieval to a remote monitoring system accessible by the health care professional for trending and statistical correlations.

The sequence of remotely programmable RF signals received by the internal antenna(s) **238** may be conditioned into waveforms that are controlled
15 within the implantable wireless stimulation device **114** by the control subsystem **242** and routed to the appropriate electrodes **254** that are placed in proximity to the tissue to be stimulated. For instance, the RF signal transmitted from the RF pulse generator module **106** may be received by RX antenna **238** and processed by circuitry, such as waveform conditioning circuitry **240**, within the implanted
20 wireless stimulation device module **114** to be converted into electrical pulses applied to the electrodes **254** through electrode interface **252**. In some implementations, the implanted wireless stimulation device **114** contains between two to sixteen electrodes **254**.

The waveform conditioning circuitry **240** may include a rectifier **244**, which
25 rectifies the signal received by the RX antenna **238**. The rectified signal may be fed to the controller **242** for receiving encoded instructions from the RF pulse generator module **106**. The rectifier signal may also be fed to a charge balance component **246** that is configured to create one or more electrical pulses based such that the one or more electrical pulses result in a substantially zero net
30 charge at the one or more electrodes (that is, the pulses are charge balanced). The charge-balanced pulses are passed through the current limiter **248** to the

electrode interface **252**, which applies the pulses to the electrodes **254** as appropriate.

The current limiter **248** insures the current level of the pulses applied to the electrodes **254** is not above a threshold current level. In some implementations, an amplitude (for example, current level, voltage level, or power level) of the received RF pulse directly determines the amplitude of the stimulus. In this case, it may be particularly beneficial to include current limiter **248** to prevent excessive current or charge being delivered through the electrodes, although current limiter **248** may be used in other implementations where this is not the case. Generally, for a given electrode having several square millimeters surface area, it is the charge per phase that should be limited for safety (where the charge delivered by a stimulus phase is the integral of the current). But, in some cases, the limit can instead be placed on the current, where the maximum current multiplied by the maximum possible pulse duration is less than or equal to the maximum safe charge. More generally, the limiter **248** acts as a charge limiter that limits a characteristic (for example, current or duration) of the electrical pulses so that the charge per phase remains below a threshold level (typically, a safe-charge limit).

In the event the implanted wireless stimulation device **114** receives a "strong" pulse of RF power sufficient to generate a stimulus that would exceed the predetermined safe-charge limit, the current limiter **248** can automatically limit or "clip" the stimulus phase to maintain the total charge of the phase within the safety limit. The current limiter **248** may be a passive current limiting component that cuts the signal to the electrodes **254** once the safe current limit (the threshold current level) is reached. Alternatively, or additionally, the current limiter **248** may communicate with the electrode interface **252** to turn off all electrodes **254** to prevent tissue damaging current levels.

A clipping event may trigger a current limiter feedback control mode. The action of clipping may cause the controller to send a threshold power data signal to the pulse generator **106**. The feedback subsystem **212** detects the threshold power signal and demodulates the signal into data that is communicated to the

controller subsystem **214**. The controller subsystem **214** algorithms may act on this current-limiting condition by specifically reducing the RF power generated by the RF pulse generator, or cutting the power completely. In this way, the pulse generator **106** can reduce the RF power delivered to the body if the implanted
5 wireless stimulation device **114** reports it is receiving excess RF power.

The controller **250** of the stimulator **205** may communicate with the electrode interface **252** to control various aspects of the electrode setup and pulses applied to the electrodes **254**. The electrode interface **252** may act as a multiplex and control the polarity and switching of each of the electrodes **254**. For
10 instance, in some implementations, the wireless stimulator **106** has multiple electrodes **254** in contact with tissue, and for a given stimulus the RF pulse generator module **106** can arbitrarily assign one or more electrodes to 1) act as a stimulating electrode, 2) act as a return electrode, or 3) be inactive by
communication of assignment sent wirelessly with the parameter instructions, which the controller **250** uses to set electrode interface **252** as appropriate. It
15 may be physiologically advantageous to assign, for example, one or two electrodes as stimulating electrodes and to assign all remaining electrodes as return electrodes.

Also, in some implementations, for a given stimulus pulse, the controller
20 **250** may control the electrode interface **252** to divide the current arbitrarily (or according to instructions from pulse generator module **106**) among the designated stimulating electrodes. This control over electrode assignment and current control can be advantageous because in practice the electrodes **254** may
25 be spatially distributed along various neural structures, and through strategic selection of the stimulating electrode location and the proportion of current specified for each location, the aggregate current distribution in tissue can be modified to selectively activate specific neural targets. This strategy of current steering can improve the therapeutic effect for the patient.

In another implementation, the time course of stimuli may be arbitrarily
30 manipulated. A given stimulus waveform may be initiated at a time T_{start} and terminated at a time T_{final} , and this time course may be synchronized across all

stimulating and return electrodes; further, the frequency of repetition of this stimulus cycle may be synchronous for all the electrodes. However, controller **250**, on its own or in response to instructions from pulse generator **106**, can control electrode interface **252** to designate one or more subsets of electrodes to
5 deliver stimulus waveforms with non-synchronous start and stop times, and the frequency of repetition of each stimulus cycle can be arbitrarily and independently specified.

For example, a stimulator having eight electrodes may be configured to have a subset of five electrodes, called set A, and a subset of three electrodes,
10 called set B. Set A might be configured to use two of its electrodes as stimulating electrodes, with the remainder being return electrodes. Set B might be configured to have just one stimulating electrode. The controller **250** could then specify that set A deliver a stimulus phase with **3** mA current for a duration of **200** us followed by a **400** us charge-balancing phase. This stimulus cycle could be specified to
15 repeat at a rate of **60** cycles per second. Then, for set B, the controller **250** could specify a stimulus phase with **1** mA current for duration of **500** us followed by a **800** us charge-balancing phase. The repetition rate for the set-B stimulus cycle can be set independently of set A, say for example it could be specified at **25** cycles per second. Or, if the controller **250** was configured to match the repetition
20 rate for set B to that of set A, for such a case the controller **250** can specify the relative start times of the stimulus cycles to be coincident in time or to be arbitrarily offset from one another by some delay interval.

In some implementations, the controller **250** can arbitrarily shape the stimulus waveform amplitude, and may do so in response to instructions from
25 pulse generator **106**. The stimulus phase may be delivered by a constant-current source or a constant-voltage source, and this type of control may generate characteristic waveforms that are static, e.g. a constant-current source generates a characteristic rectangular pulse in which the current waveform has a very steep rise, a constant amplitude for the duration of the stimulus, and then a very steep
30 return to baseline. Alternatively, or additionally, the controller **250** can increase or decrease the level of current at any time during the stimulus phase and/or

during the charge-balancing phase. Thus, in some implementations, the controller **250** can deliver arbitrarily shaped stimulus waveforms such as a triangular pulse, sinusoidal pulse, or Gaussian pulse for example. Similarly, the charge-balancing phase can be arbitrarily amplitude-shaped, and similarly a leading anodic pulse (prior to the stimulus phase) may also be amplitude-shaped.

As described above, the wireless stimulation device **114** may include a charge-balancing component **246**. Generally, for constant current stimulation pulses, pulses should be charge balanced by having the amount of cathodic current should equal the amount of anodic current, which is typically called biphasic stimulation. Charge density is the amount of current times the duration it is applied, and is typically expressed in the units $\mu\text{C}/\text{cm}^2$. In order to avoid the irreversible electrochemical reactions such as pH change, electrode dissolution as well as tissue destruction, no net charge should appear at the electrode-electrolyte interface, and it is generally acceptable to have a charge density less than **30** $\mu\text{C}/\text{cm}^2$. Biphasic stimulating current pulses ensure that no net charge appears at the electrode after each stimulation cycle and the electrochemical processes are balanced to prevent net dc currents. The wireless stimulation device **114** may be designed to ensure that the resulting stimulus waveform has a net zero charge. Charge balanced stimuli are thought to have minimal damaging effects on tissue by reducing or eliminating electrochemical reaction products created at the electrode-tissue interface.

A stimulus pulse may have a negative- voltage or current, called the cathodic phase of the waveform. Stimulating electrodes may have both cathodic and anodic phases at different times during the stimulus cycle. An electrode that delivers a negative current with sufficient amplitude to stimulate adjacent neural tissue is called a "stimulating electrode." During the stimulus phase the stimulating electrode acts as a current sink. One or more additional electrodes act as a current source and these electrodes are called "return electrodes." Return electrodes are placed elsewhere in the tissue at some distance from the stimulating electrodes. When a typical negative stimulus phase is delivered to tissue at the stimulating electrode, the return electrode has a positive stimulus

phase. During the subsequent charge-balancing phase, the polarities of each electrode are reversed.

In some implementations, the charge balance component **246** uses a blocking capacitor(s) placed electrically in series with the stimulating electrodes and body tissue, between the point of stimulus generation within the stimulator circuitry and the point of stimulus delivery to tissue. In this manner, a resistor-capacitor (RC) network may be formed. In a multi-electrode stimulator, one charge-balance capacitor(s) may be used for each electrode or a centralized capacitor(s) may be used within the stimulator circuitry prior to the point of electrode selection. The RC network can block direct current (DC), however it can also prevent low-frequency alternating current (AC) from passing to the tissue. The frequency below which the series RC network essentially blocks signals is commonly referred to as the cutoff frequency, and in one embodiment the design of the stimulator system may ensure the cutoff frequency is not above the fundamental frequency of the stimulus waveform. In this embodiment as disclosed herein, the wireless stimulator may have a charge-balance capacitor with a value chosen according to the measured series resistance of the electrodes and the tissue environment in which the stimulator is implanted. By selecting a specific capacitance value the cutoff frequency of the RC network in this embodiment is at or below the fundamental frequency of the stimulus pulse.

In other implementations, the cutoff frequency may be chosen to be at or above the fundamental frequency of the stimulus, and in this scenario the stimulus waveform created prior to the charge-balance capacitor, called the drive waveform, may be designed to be non-stationary, where the envelope of the drive waveform is varied during the duration of the drive pulse. For example, in one embodiment, the initial amplitude of the drive waveform is set at an initial amplitude V_i , and the amplitude is increased during the duration of the pulse until it reaches a final value $k \cdot V_i$. By changing the amplitude of the drive waveform over time, the shape of the stimulus waveform passed through the charge-balance capacitor is also modified. The shape of the stimulus waveform may be modified in this fashion to create a physiologically advantageous stimulus.

In some implementations, the wireless stimulation device module **114** may create a drive-waveform envelope that follows the envelope of the RF pulse received by the receiving dipole antenna(s) **238**. In this case, the RF pulse generator module **106** can directly control the envelope of the drive waveform
5 within the wireless stimulation device **114**, and thus no energy storage may be required inside the stimulator itself. In this implementation, the stimulator circuitry may modify the envelope of the drive waveform or may pass it directly to the charge-balance capacitor and/or electrode-selection stage.

In some implementations, the implanted wireless stimulation device **114**
10 may deliver a single-phase drive waveform to the charge balance capacitor or it may deliver multiphase drive waveforms. In the case of a single-phase drive waveform, for example, a negative-going rectangular pulse, this pulse comprises the physiological stimulus phase, and the charge-balance capacitor is polarized (charged) during this phase. After the drive pulse is completed, the charge
15 balancing function is performed solely by the passive discharge of the charge-balance capacitor, where is dissipates its charge through the tissue in an opposite polarity relative to the preceding stimulus. In one implementation, a resistor within the stimulator facilitates the discharge of the charge-balance capacitor. In some implementations, using a passive discharge phase, the
20 capacitor may allow virtually complete discharge prior to the onset of the subsequent stimulus pulse.

In the case of multiphase drive waveforms the wireless stimulator may perform internal switching to pass negative-going or positive-going pulses (phases) to the charge-balance capacitor. These pulses may be delivered in any
25 sequence and with varying amplitudes and waveform shapes to achieve a desired physiological effect. For example, the stimulus phase may be followed by an actively driven charge-balancing phase, and/or the stimulus phase may be preceded by an opposite phase. Preceding the stimulus with an opposite-polarity phase, for example, can have the advantage of reducing the amplitude of the
30 stimulus phase required to excite tissue.

In some implementations, the amplitude and timing of stimulus and charge-balancing phases is controlled by the amplitude and timing of RF pulses from the RF pulse generator module **106**, and in others this control may be administered internally by circuitry onboard the wireless stimulation device **114**,
5 such as controller **250**. In the case of onboard control, the amplitude and timing may be specified or modified by data commands delivered from the pulse generator module **106**.

FIG. **3** is a flowchart showing an example of an operation of the neural stimulator system. In block **302**, the wireless stimulation device **114** is implanted
10 in proximity to nerve bundles and is coupled to the electric field produced by the TX antenna **110**. That is, the pulse generator module **106** and the TX antenna **110** are positioned in such a way (for example, in proximity to the patient) that the TX antenna **110** is electrically radiatively coupled with the implanted RX antenna **238** of the wireless stimulation device **114**. In certain implementations, both the
15 antenna **110** and the RF pulse generator **106** are located subcutaneously. In other implementations, the antenna **110** and the RF pulse generator **106** are located external to the patient's body. In this case, the TX antenna **110** may be coupled directly to the patient's skin.

Energy from the RF pulse generator is radiated to the implanted wireless
20 stimulation device **114** from the antenna **110** through tissue, as shown in block **304**. The energy radiated may be controlled by the Patient/Clinician Parameter inputs in block **301**. In some instances, the parameter settings can be adjusted in an open loop fashion by the patient or clinician, who would adjust the parameter inputs in block **301** to the system.

25 The implanted wireless stimulation device **114** uses the received energy to generate electrical pulses to be applied to the neural tissue through the electrodes **238**. For instance, the wireless stimulation device **114** may contain circuitry that rectifies the received RF energy and conditions the waveform to charge balance the energy delivered to the electrodes to stimulate the targeted
30 nerves or tissues, as shown in block **306**. The implanted wireless stimulation device **114** communicates with the pulse generator **106** by using antenna **238** to

send a telemetry signal, as shown in block **308**. The telemetry signal may contain information about parameters of the electrical pulses applied to the electrodes, such as the impedance of the electrodes, whether the safe current limit has been reached, or the amplitude of the current that is presented to the
5 tissue from the electrodes.

In block **310**, the RF pulse generator **106** detects amplifies, filters and modulates the received telemetry signal using amplifier **226**, filter **224**, and demodulator **222**, respectively. The A/D converter **230** then digitizes the resulting analog signal, as shown in **312**. The digital telemetry signal is routed to CPU
10 **230**, which determines whether the parameters of the signal sent to the wireless stimulation device **114** need to be adjusted based on the digital telemetry signal. For instance, in block **314**, the CPU **230** compares the information of the digital signal to a look-up table, which may indicate an appropriate change in stimulation parameters. The indicated change may be, for example, a change in the current
15 level of the pulses applied to the electrodes. As a result, the CPU may change the output power of the signal sent to wireless stimulation device **114** so as to adjust the current applied by the electrodes **254**, as shown in block **316**.

Thus, for instance, the CPU **230** may adjust parameters of the signal sent to the wireless stimulation device **114** every cycle to match the desired current
20 amplitude setting programmed by the patient, as shown in block **318**. The status of the stimulator system may be sampled in real time at a rate of **8** Kbits per second of telemetry data. All feedback data received from the wireless stimulation device **114** can be maintained against time and sampled per minute to be stored for download or upload to a remote monitoring system accessible by
25 the health care professional for trending and statistical correlations in block **318**. If operated in an open loop fashion, the stimulator system operation may be reduced to just the functional elements shown in blocks **302**, **304**, **306**, and **308**, and the patient uses their judgment to adjust parameter settings rather than the closed looped feedback from the implanted device.

30 FIG. **4** is a circuit diagram showing an example of a wireless neural stimulator, such as wireless stimulation device **114**. This example contains paired

electrodes, comprising cathode electrode(s) **408** and anode electrode(s) **410**, as shown. When energized, the charged electrodes create a volume conduction field of current density within the tissue. In this implementation, the wireless energy is received through a dipole antenna(s) **238**. At least four diodes are
5 connected together to form a full wave bridge rectifier **402** attached to the dipole antenna(s) **238**. Each diode, up to **100** micrometers in length, uses a junction potential to prevent the flow of negative electrical current, from cathode to anode, from passing through the device when said current does not exceed the reverse threshold. For neural stimulation via wireless power, transmitted through tissue,
10 the natural inefficiency of the lossy material may lead to a low threshold voltage. In this implementation, a zero biased diode rectifier results in a low output impedance for the device. A resistor **404** and a smoothing capacitor **406** are placed across the output nodes of the bridge rectifier to discharge the electrodes to the ground of the bridge anode. The rectification bridge **402** includes two
15 branches of diode pairs connecting an anode-to-anode and then cathode to cathode. The electrodes **408** and **410** are connected to the output of the charge balancing circuit **246**.

FIG. **5** is a circuit diagram of another example of a wireless stimulation device **114**. The example shown in FIG. **5** includes multiple electrode control and
20 may employ full closed loop control. The wireless stimulation device includes an electrode array **254** in which the polarity of the electrodes can be assigned as cathodic or anodic, and for which the electrodes can be alternatively not powered with any energy. When energized, the charged electrodes create a volume conduction field of current density within the tissue. In this implementation, the
25 wireless energy is received by the device through the dipole antenna(s) **238**. The electrode array **254** is controlled through an on-board controller circuit **242** that sends the appropriate bit information to the electrode interface **252** in order to set the polarity of each electrode in the array, as well as power to each individual electrode. The lack of power to a specific electrode would set that electrode in a
30 functional OFF position. In another implementation (not shown), the amount of current sent to each electrode is also controlled through the controller **242**. The

controller current, polarity and power state parameter data, shown as the controller output, is be sent back to the antenna(s) **238** for telemetry transmission back to the pulse generator module **106**. The controller **242** also includes the functionality of current monitoring and sets a bit register counter so that the status of total current drawn can be sent back to the pulse generator module **106**.

At least four diodes can be connected together to form a full wave bridge rectifier **302** attached to the dipole antenna(s) **238**. Each diode, up to **100** micrometers in length, uses a junction potential to prevent the flow of negative electrical current, from cathode to anode, from passing through the device when said current does not exceed the reverse threshold. For neural stimulation via wireless power, transmitted through tissue, the natural inefficiency of the lossy material may lead to a low threshold voltage. In this implementation, a zero biased diode rectifier results in a low output impedance for the device. A resistor **404** and a smoothing capacitor **406** are placed across the output nodes of the bridge rectifier to discharge the electrodes to the ground of the bridge anode. The rectification bridge **402** may include two branches of diode pairs connecting an anode-to-anode and then cathode to cathode. The electrode polarity outputs, both cathode **408** and anode **410** are connected to the outputs formed by the bridge connection. Charge balancing circuitry **246** and current limiting circuitry **248** are placed in series with the outputs.

FIG. **6** is a block diagram showing an example of control functions **605** and feedback functions **630** of a implantable wireless stimulation device **600**, such as the ones described above or further below. An example implementation may be a wireless stimulation device module **114**, as discussed above in association with FIG. **2**. Control functions **605** include functions **610** for polarity switching of the electrodes and functions **620** for power-on reset.

Polarity switching functions **610** may employ, for example, a polarity routing switch network to assign polarities to electrodes **254**. The assignment of polarity to an electrode may, for instance, be one of: a cathode (negative polarity), an anode (positive polarity), or a neutral (off) polarity. The polarity assignment information for each of the electrodes **254** may be contained in the

input signal received by implantable wireless stimulation device **600** through Rx antenna **238** from RF pulse generator module **106**. Because a programmer module **102** may control RF pulse generator module **106**, the polarity of electrodes **254** may be controlled remotely by a programmer through
5 programmer module **102**, as shown in Fig. 2.

Power-on reset functions **620** may reset the polarity assignment of each electrode immediately on each power-on event. As will be described in further detail below, this reset operation may cause RF pulse generator module **106** to transmit the polarity assignment information to the implantable wireless
10 stimulation device **600**. Once the polarity assignment information is received by the implantable wireless stimulation device **600**, the polarity assignment information may be stored in a register file, or other short-term memory component. Thereafter the polarity assignment information may be used to configure the polarity assignment of each electrode. If the polarity assignment
15 information transmitted in response to the reset encodes the same polarity state as before the power-on event, then the polarity state of each electrode can be maintained before and after each power-on event.

Feedback functions **630** include functions **640** for monitoring delivered power to electrodes **254** and functions **650** for making impedance diagnosis of
20 electrodes **254**. For example, delivered power functions **640** may provide data encoding the amount of power being delivered from electrodes **254** to the excitable tissue and tissue impedance diagnostic functions **650** may provide data encoding the diagnostic information of tissue impedance. The tissue impedance is the electrical impedance of the tissue as seen between negative and positive
25 electrodes when a stimulation current is being released between negative and positive electrodes.

Feedback functions **630** may additionally include tissue depth estimate functions **660** to provide data indicating the overall tissue depth that the input radio frequency (RF) signal from the pulse generator module, such as, for
30 example, RF pulse generator module **106**, has penetrated before reaching the implanted antenna, such as, for example, RX antenna **238**, within the wireless

implantable neural stimulator **600**, such as, for example, implanted wireless stimulation device **114**. For instance, the tissue depth estimate may be provided by comparing the power of the received input signal to the power of the RF pulse transmitted by the RF pulse generator **106**. The ratio of the power of the received input signal to the power of the RF pulse transmitted by the RF pulse generator **106** may indicate an attenuation caused by wave propagation through the tissue. For example, the second harmonic described below may be received by the RF pulse generator **106** and used with the power of the input signal sent by the RF pulse generator to determine the tissue depth. The attenuation may be used to infer the overall depth of implantable wireless stimulation device **600** underneath the skin.

The data from blocks **640**, **650**, and **660** may be transmitted, for example, through Tx antenna **110** to an implantable RF pulse generator **106**, as illustrated in FIGS. **1** and **2**.

As discussed above in association with FIGS **1**, **2**, **4**, and **5**, a implantable wireless stimulation device **600** may utilize rectification circuitry to convert the input signal (e.g., having a carrier frequency within a range from about **300** MHz to about **8** GHz) to a direct current (DC) power to drive the electrodes **254**. Some implementations may provide the capability to regulate the DC power remotely. Some implementations may further provide different amounts of power to different electrodes, as discussed in further detail below.

FIG. **7** is a schematic showing an example of a implantable wireless stimulation device **700** with components to implement control and feedback functions as discussed above in association with FIG. **6**. An RX antenna **705** receives the input signal. The RX antenna **705** may be embedded as a dipole, microstrip, folded dipole or other antenna configuration other than a coiled configuration, as described above. The input signal has a carrier frequency in the GHz range and contains electrical energy for powering the wireless implantable neural stimulator **700** and for providing stimulation pulses to electrodes **254**. Once received by the antenna **705**, the input signal is routed to power management circuitry **710**. Power management circuitry **710** is configured

to rectify the input signal and convert it to a DC power source. For example, the power management circuitry **710** may include a diode rectification bridge such as the diode rectification bridge **402** illustrated in FIG. **4**. The DC power source provides power to stimulation circuitry **711** and logic power circuitry **713**. The
5 rectification may utilize one or more full wave diode bridge rectifiers within the power management circuitry **710**. In one implementation, a resistor can be placed across the output nodes of the bridge rectifier to discharge the electrodes to the ground of the bridge anode, as illustrated by the shunt register **404** in FIG. **7**.

10 Turning momentarily to FIG. **8**, a schematic of an example of a polarity routing switch network **800** is shown. As discussed above, the cathodic (-) energy and the anodic energy are received at input **1** (block **722**) and input **2** (block **723**), respectively. Polarity routing switch network **800** has one of its outputs coupled to an electrode of electrodes **254** which can include as few as
15 two electrodes, or as many as sixteen electrodes. Eight electrodes are shown in this implementation as an example.

Polarity routing switch network **800** is configured to either individually connect each output to one of input **1** or input **2**, or disconnect the output from either of the inputs. This selects the polarity for each individual electrode of
20 electrodes **254** as one of: neutral (off), cathode (negative), or anode (positive). Each output is coupled to a corresponding three-state switch **830** for setting the connection state of the output. Each three-state switch is controlled by one or more of the bits from the selection input **850**. In some implementations, selection input **850** may allocate more than one bits to each three-state switch. For
25 example, two bits may encode the three-state information. Thus, the state of each output of polarity routing switch device **800** can be controlled by information encoding the bits stored in the register **732**, which may be set by polarity assignment information received from the remote RF pulse generator module **106**, as described further below.

30 Returning to FIG. **7**, power and impedance sensing circuitry may be used to determine the power delivered to the tissue and the impedance of the tissue.

For example, a sensing resistor **718** may be placed in serial connection with the anodic branch **714**. Current sensing circuit **719** senses the current across the resistor **718** and voltage sensing circuit **720** senses the voltage across the resistor. The measured current and voltage may correspond to the actual current and voltage applied by the electrodes to the tissue.

As described below, the measured current and voltage may be provided as feedback information to RF pulse generator module **106**. The power delivered to the tissue may be determined by integrating the product of the measured current and voltage over the duration of the waveform being delivered to electrodes **254**. Similarly, the impedance of the tissue may be determined based on the measured voltage being applied to the electrodes and the current being applied to the tissue. Alternative circuitry (not shown) may also be used in lieu of the sensing resistor **718**, depending on implementation of the feature and whether both impedance and power feedback are measured individually, or combined.

The measurements from the current sensing circuitry **719** and the voltage sensing circuitry **720** may be routed to a voltage controlled oscillator (VCO) **733** or equivalent circuitry capable of converting from an analog signal source to a carrier signal for modulation. VCO **733** can generate a digital signal with a carrier frequency. The carrier frequency may vary based on analog measurements such as, for example, a voltage, a differential of a voltage and a power, etc. VCO **733** may also use amplitude modulation or phase shift keying to modulate the feedback information at the carrier frequency. The VCO or the equivalent circuit may be generally referred to as an analog controlled carrier modulator. The modulator may transmit information encoding the sensed current or voltage back to RF pulse generator **106**.

Antenna **725** may transmit the modulated signal, for example, in the GHz frequency range, back to the RF pulse generator module **106**. In some embodiments, antennas **705** and **725** may be the same physical antenna. In other embodiments, antennas **705** and **725** may be separate physical antennas. In the embodiments of separate antennas, antenna **725** may operate at a

resonance frequency that is higher than the resonance frequency of antenna **705** to send stimulation feedback to RF pulse generator module **106**. In some embodiments, antenna **725** may also operate at the higher resonance frequency to receive data encoding the polarity assignment information from RF pulse generator module **106**.

Antenna **725** may be a telemetry antenna **725** which may route received data, such as polarity assignment information, to the stimulation feedback circuit **730**. The encoded polarity assignment information may be on a band in the GHz range. The received data may be demodulated by demodulation circuitry **731** and then stored in the register file **732**. The register file **732** may be a volatile memory. Register file **732** may be an **8**-channel memory bank that can store, for example, several bits of data for each channel to be assigned a polarity. Some embodiments may have no register file, while some embodiments may have a register file up to **64** bits in size. The information encoded by these bits may be sent as the polarity selection signal to polarity routing switch network **721**, as indicated by arrow **734**. The bits may encode the polarity assignment for each output of the polarity routing switch network as one of: + (positive), - (negative), or **0** (neutral). Each output connects to one electrode and the channel setting determines whether the electrode will be set as an anode (positive), cathode (negative), or off (neutral).

Returning to power management circuitry **710**, in some embodiments, approximately **90%** of the energy received is routed to the stimulation circuitry **711** and less than **10%** of the energy received is routed to the logic power circuitry **713**. Logic power circuitry **713** may power the control components for polarity and telemetry. In some implementations, the power circuitry **713**, however, does not provide the actual power to the electrodes for stimulating the tissues. In certain embodiments, the energy leaving the logic power circuitry **713** is sent to a capacitor circuit **716** to store a certain amount of readily available energy. The voltage of the stored charge in the capacitor circuit **716** may be denoted as V_{dc} . Subsequently, this stored energy is used to power a power-on reset circuit **716** configured to send a reset signal on a power-on event. If the

wireless implantable neural stimulator **700** loses power for a certain period of time, for example, in the range from about **1** millisecond to over **10** milliseconds, the contents in the register file **732** and polarity setting on polarity routing switch network **721** may be zeroed. The implantable wireless stimulation device **700** may lose power, for example, when it becomes less aligned with RF pulse generator module **106**. Using this stored energy, power-on reset circuit **740** may provide a reset signal as indicated by arrow **717**. This reset signal may cause stimulation feedback circuit **730** to notify RF pulse generator module **106** of the loss of power. For example, stimulation feedback circuit **730** may transmit a telemetry feedback signal to RF pulse generator module **106** as a status notification of the power outage. This telemetry feedback signal may be transmitted in response to the reset signal and immediately after power is back on wireless stimulation device **700**. RF pulse generator module **106** may then transmit one or more telemetry packets to implantable wireless stimulation device. The telemetry packets contain polarity assignment information, which may be saved to register file **732** and may be sent to polarity routing switch network **721**. Thus, polarity assignment information in register file **732** may be recovered from telemetry packets transmitted by RF pulse generator module **106** and the polarity assignment for each output of polarity routing switch network **721** may be updated accordingly based on the polarity assignment information.

The telemetry antenna **725** may transmit the telemetry feedback signal back to RF pulse generator module **106** at a frequency higher than the characteristic frequency of an RX antenna **705**. In one implementation, the telemetry antenna **725** can have a heightened resonance frequency that is the second harmonic of the characteristic frequency of RX antenna **705**. For example, the second harmonic may be utilized to transmit power feedback information regarding an estimate of the amount of power being received by the electrodes. The feedback information may then be used by the RF pulse generator in determining any adjustment of the power level to be transmitted by the RF pulse generator **106**. In a similar manner, the second harmonic energy can be used to detect the tissue depth. The second harmonic transmission can

be detected by an external antenna, for example, on RF pulse generator module **106** that is tuned to the second harmonic. As a general matter, power management circuitry **710** may contain rectifying circuits that are non-linear device capable of generating harmonic energies from input signal. Harvesting such harmonic energy for transmitting telemetry feedback signal could improve the efficiency of implantable wireless stimulation device **700**.

FIG. **9A** is a diagram of an example implementation of a microwave field stimulator (MFS) **902** as part of a stimulation system utilizing an implantable wireless stimulation device **922**. In this example, the MFS **902** is external to a patient's body and may be placed within in close proximity, for example, within **3** feet, to an implantable wireless stimulation device **922**. The RF pulse generator module **106** may be one example implementation of MFS **902**. MFS **902** may be generally known as a controller module. The implantable wireless stimulation device **922** is a passive device. The implantable wireless stimulation device **922** does not have its own independent power source, rather it receives power for its operation from transmission signals emitted from a TX antenna powered by the MFS **902**, as discussed above.

In certain embodiments, the MFS **902** may communicate with a programmer **912**. The programmer **912** may be a mobile computing device, such as, for example, a laptop, a smart phone, a tablet, etc. The communication may be wired, using for example, a USB or firewire cable. The communication may also be wireless, utilizing for example, a bluetooth protocol implemented by a transmitting blue tooth module **904**, which communicates with the host bluetooth module **914** within the programmer **912**.

The MFS **902** may additionally communicate with wireless stimulation device **922** by transmitting a transmission signal through a Tx antenna **907** coupled to an amplifier **906**. The transmission signal may propagate through skin and underlying tissues to arrive at the Rx antenna **923** of the wireless stimulation device **922**. In some implementations, the wireless stimulation device **922** may transmit a telemetry feedback signal back to microwave field stimulator **902**.

The microwave field stimulator **902** may include a microcontroller **908** configured to manage the communication with a programmer **912** and generate an output signal. The output signal may be used by the modulator **909** to modulate a RF carrier signal. The frequency of the carrier signal may be in the
5 microwave range, for example, from about **300** MHz to about **8** GHz, preferably from about **800** MHz to **1.3** GHz. The modulated RF carrier signal may be amplified by an amplifier **906** to provide the transmission signal for transmission to the wireless stimulation device **922** through a TX antenna **907**.

FIG. **9B** is a diagram of another example of an implementation of a
10 microwave field stimulator **902** as part of a stimulation system utilizing a wireless stimulation device **922**. In this example, the microwave field stimulator **902** may be embedded in the body of the patient, for example, subcutaneously. The embedded microwave field stimulator **902** may receive power from a detached, remote wireless battery charger **932**.

15 The power from the wireless battery charger **932** to the embedded microwave field stimulator **902** may be transmitted at a frequency in the MHz or GHz range. The microwave field stimulator **902** shall be embedded subcutaneously at a very shallow depth (e.g., less than **1** cm), and alternative coupling methods may be used to transfer energy from wireless battery charger
20 **932** to the embedded MFS **902** in the most efficient manner as is well known in the art.

In some embodiments, the microwave field stimulator **902** may be adapted for placement at the epidural layer of a spinal column, near or on the dura of the spinal column, in tissue in close proximity to the spinal column, in tissue located
25 near a dorsal horn, in dorsal root ganglia, in one or more of the dorsal roots, in dorsal column fibers, or in peripheral nerve bundles leaving the dorsal column of the spine.

In this embodiment, the microwave field stimulator **902** shall transmit power and parameter signals to a passive Tx antenna also embedded
30 subcutaneously, which shall be coupled to the RX antenna within the wireless stimulation device **922**. The power required in this embodiment is substantially

lower since the TX antenna and the RX antenna are already in body tissue and there is no requirement to transmit the signal through the skin.

FIG. 10 is a detailed diagram of an example microwave field stimulator **902**. A microwave field stimulator **902** may include a microcontroller **908**, a telemetry feedback module **1002**, and a power management module **1004**. The microwave field stimulator **902** has a two-way communication schema with a programmer **912**, as well as with a communication or telemetry antenna **1006**. The microwave field stimulator **902** sends output power and data signals through a TX antenna **1008**.

The microcontroller **908** may include a storage device **1014**, a bluetooth interface **1013**, a USB interface **1012**, a power interface **1011**, an analog-to-digital converter (ADC) **1016**, and a digital to analog converter (DAC) **1015**. Implementations of a storage device **1014** may include non-volatile memory, such as, for example, static electrically erasable programmable read-only memory (SEEPROM) or NAND flash memory. A storage device **1014** may store waveform parameter information for the microcontroller **908** to synthesize the output signal used by modulator **909**. The stimulation waveform may include multiple pulses. The waveform parameter information may include the shape, duration, amplitude of each pulse, as well as pulse repetition frequency. A storage device **1014** may additionally store polarity assignment information for each electrode of the wireless stimulation device **922**. The Bluetooth interface **1013** and USB interface **1012** respectively interact with either the bluetooth module **1004** or the USB module to communicate with the programmer **912**.

The communication antenna **1006** and a TX antenna **1008** may, for example, be configured in a variety of sizes and form factors, including, but not limited to a patch antenna, a slot antenna, or a dipole antenna. The TX antenna **1008** may be adapted to transmit a transmission signal, in addition to power, to the implantable, passive neural stimulator **922**. As discussed above, an output signal generated by the microcontroller **908** may be used by the modulator **909** to provide the instructions for creation of a modulated RF carrier signal. The RF carrier signal may be amplified by amplifier **906** to generate the transmission

signal. A directional coupler **1009** may be utilized to provide two-way coupling so that both the forward power of the transmission signal flow transmitted by the TX antenna **1008** and the reverse power of the reflected transmission may be picked up by power detector **1022** of telemetry feedback module **1002**. In some
5 implementations, a separate communication antenna **1006** may function as the receive antenna for receiving telemetry feedback signal from the wireless stimulation device **922**. In some configurations, the communication antenna may operate at a higher frequency band than the TX antenna **1008**. For example, the communication antenna **1006** may have a characteristic frequency
10 that is a second harmonic of the characteristic frequency of TX antenna **1008**, as discussed above.

In some embodiments, the microwave field stimulator **902** may additionally include a telemetry feedback module **902**. In some implementations, the telemetry feedback module **1002** may be coupled directly to communication
15 antenna **1006** to receive telemetry feedback signals. The power detector **1022** may provide a reading of both the forward power of the transmission signal and a reverse power of a portion of the transmission signal that is reflected during transmission. The telemetry signal, forward power reading, and reverse power reading may be amplified by low noise amplifier (LNA) **1024** for further
20 processing. For example, the telemetry module **902** may be configured to process the telemetry feedback signal by demodulating the telemetry feedback signal to extract the encoded information. Such encoded information may include, for example, a status of the wireless stimulation device **922** and one or more electrical parameters associated with a particular channel (electrode) of the
25 wireless stimulation device **922**. Based on the decoded information, the telemetry feedback module **1002** may be used to calculate a desired operational characteristic for the wireless stimulation device **922**.

Some embodiments of the MFS **902** may further include a power management module **1004**. A power management module **1004** may manage
30 various power sources for the MFS **902**. Example power sources include, but are not limited to, lithium-ion or lithium polymer batteries. The power

management module **1004** may provide several operational modes to save battery power. Example operation modes may include, but are not limited to, a regular mode, a low power mode, a sleep mode, a deep sleep/hibernate mode, and an off mode. The regular mode provides regulation of the transmission of transmission signals and stimulus to the wireless stimulation device **922**. In regular mode, the telemetry feedback signal is received and processed to monitor the stimuli as normal. Low-power mode also provides regulation of the transmission of transmission signals and stimulus to the electrodes of the wireless stimulation device. However, under this mode, the telemetry feedback signal may be ignored. More specifically, the telemetry feedback signal encoding the stimulus power may be ignored, thereby saving MFS **902** overall power consumption. Under sleep mode, the transceiver and amplifier **906** are turned off, while the microcontroller is kept on with the last saved state in its memory. Under the deep sleep /hibernate mode, the transceiver and amplifier **906** are turned off, while the microcontroller is in power down mode, but power regulators are on. Under the off mode, all transceiver, microcontroller and regulators are turned off achieving zero quiescent power.

FIG. **11** is a flowchart showing an example process in which the microwave field stimulator **902** transmits polarity setting information to the wireless stimulation device **922**. Polarity assignment information is stored in a non-volatile memory **1102** within the microcontroller **908** of the MFS **902**. The polarity assignment information may be representative-specific and may be chosen to meet the specific need of a particular patient. Based on the polarity assignment information chosen for a particular patient, the microcontroller **908** executes a specific routine for assigning polarity to each electrode of the electrode array. The particular patient has an wireless stimulation device as described above.

In some implementations, the polarity assignment procedure includes sending a signal to the wireless stimulation device with an initial power-on portion followed by a configuration portion that encodes the polarity assignments. The power-on portion may, for example, simply include the RF carrier signal. The

initial power-on portion has a duration that is sufficient to power-on the wireless stimulation device and allow the device to reset into a configuration mode. Once in the configuration mode, the device reads the encoded information in the configuration portion and sets the polarity of the electrodes as indicated by the encoded information.

Thus, in some implementations, the microcontroller **908** turns on the modulator **909** so that the unmodulated RF carrier is sent to the wireless stimulation device **1104**. After a set duration, the microcontroller **908** automatically initiates transmitting information encoding the polarity assignment. In this scenario, the microcontroller **908** transmits the polarity settings in the absence of handshake signals from the wireless stimulation device. Because the microwave field stimulator **902** is operating in close proximity to wireless stimulation device **922**, signal degradation may not be severe enough to warrant the use of handshake signals to improve quality of communication.

To transmit the polarity information, the microcontroller **908** reads the polarity assignment information from the non-volatile memory and generates a digital signal encoding the polarity information **1106**. The digital signal encoding the polarity information may be converted to an analog signal, for example, by a digital-to-analog (DAC) converter **1112**. The analog signal encoding the waveform may modulate a carrier signal at modulator **909** to generate a configuration portion of the transmission signal (**1114**). This configuration portion of the transmission signal may be amplified by the power amplifier **906** to generate the signal to be transmitted by antenna **907** (**1116**). Thereafter, the configuration portion of the transmission signal is transmitted to the wireless stimulation device **922** (**1118**).

Once the configuration portion is transmitted to the wireless stimulation device, the microcontroller **908** initiates the stimulation portion of the transmission signal. Similar to the configuration portion, the microcontroller **908** generates a digital signal that encodes the stimulation waveform. The digital signal is converted to an analog signal using the DAC. The analog signal is then

used to modulate a carrier signal at modulator **909** to generate a stimulation portion of the transmission signal.

In other implementations, the microcontroller **908** initiates the polarity assignment protocol after the microcontroller **908** has recognized a power-on
5 reset signal transmitted by the neural stimulator. The power-on reset signal may be extracted from a feedback signal received by microcontroller **908** from the wireless stimulation device **922**. The feedback signal may also be known as a handshake signal in that it alerts the microwave field stimulator **902** of the ready status of the wireless stimulation device **922**. In an example, the feedback
10 signal may be demodulated and sampled to digital domain before the power-on reset signal is extracted in the digital domain.

FIG. **12** is a flow chart showing an example of the process in which the microwave field stimulator **902** receives and processes the telemetry feedback signal to make adjustments to subsequent transmissions.

15 In some implementations, the microcontroller **908** polls the telemetry feedback module **1002** (**1212**). The polling is to determine whether a telemetry feedback signal has been received (**1214**). The telemetry feedback signal may include information based on which the MFS **902** may ascertain the power consumption being utilized by the electrodes of the wireless stimulation device
20 **922**. This information may also be used to determine the operational characteristics of the combination system of the MFS **902** and the wireless stimulation device **922**, as will be discussed in further detail in association with FIG. **13**. The information may also be logged by the microwave field stimulator **902** so that the response of the patient may be correlated with past treatments
25 received over time. The correlation may reveal the patient's individual response to the treatments the patient has received up to date.

If the microcontroller **908** determines that telemetry feedback module **1002** has not yet received telemetry feedback signal, microcontroller **908** may continue polling (**1212**). If the microcontroller **908** determines that telemetry feedback
30 module **1002** has received telemetry feedback signal, the microcontroller **908** may extract the information contained in the telemetry feedback signal to perform

calculations (**1216**). The extraction may be performed by demodulating the telemetry feedback signal and sampling the demodulated signal in the digital domain. The calculations may reveal operational characteristics of the wireless stimulation device **922**, including, for example, voltage or current levels associated with a particular electrode, power consumption of a particular electrode, and/or impedance of the tissue being stimulated through the electrodes.

Thereafter, in certain embodiments, the microcontroller **908** may store information extracted from the telemetry signals as well as the calculation results (**1218**). The stored data may be provided to a user through the programmer upon request (**1220**). The user may be the patient, the doctor, or representatives from the manufacturer. The data may be stored in a non-volatile memory, such as, for example, NAND flash memory or EEPROM.

In other embodiments, a power management schema may be triggered **1222** by the microcontroller (**908**). Under the power management schema, the microcontroller **908** may determine whether to adjust a parameter of subsequent transmissions (**1224**). The parameter may be amplitude or the stimulation waveform shape. In one implementation, the amplitude level may be adjusted based on a lookup table showing a relationship between the amplitude level and a corresponding power applied to the tissue through the electrodes. In one implementation, the waveform shape may be pre-distorted to compensate for a frequency response of the microwave field stimulator **902** and the wireless stimulation device **922**. The parameter may also be the carrier frequency of the transmission signal. For example, the carrier frequency of the transmission signal may be modified to provide fine-tuning that improves transmission efficiency.

If an adjustment is made, the subsequently transmitted transmission signals are adjusted accordingly. If no adjustment is made, the microcontroller **908** may proceed back to polling the telemetry feedback module **1002** for telemetry feedback signal (**1212**).

In other implementations, instead of polling the telemetry feedback module **1002**, the microcontroller **908** may wait for an interrupt request from telemetry feedback module **1002**. The interrupt may be a software interrupt, for example, through an exception handler of the application program. The interrupt may also
5 be a hardware interrupt, for example, a hardware event and handled by an exception handler of the underlying operating system.

FIG. **13** is a schematic of an example implementation of the power, signal and control flow for the wireless stimulation device **922**. A DC source **1302** obtains energy from the transmission signal received at the wireless stimulation
10 device **922** during the initial power-on portion of the transmission signal while the RF power is ramping up. In one implementation, a rectifier may rectify the received power-on portion to generate the DC source **1302** and a capacitor **1304** may store a charge from the rectified signal during the initial portion. When the stored charge reaches a certain voltage (for example, one sufficient or close to
15 sufficient to power operations of the wireless stimulation device **922**), the power-on reset circuit **1306** may be triggered to send a power-on reset signal to reset components of the neural stimulator. The power-on set signal may be sent to circuit **1308** to reset, for example, digital registers, digital switches, digital logic, or other digital components, such as transmit and receive logic **1310**. The digital
20 components may also be associated with a control module **1312**. For example, a control module **1312** may include electrode control **252**, register file **732**, etc. The power-on reset may reset the digital logic so that the circuit **1308** begins operating from a known, initial state.

In some implementations, the power-on reset signal may subsequently
25 cause the FPGA circuit **1308** to transmit a power-on reset telemetry signal back to MFS **902** to indicate that the implantable wireless stimulation device **922** is ready to receive the configuration portion of the transmission signal that contains the polarity assignment information. For example, the control module **1312** may signal the RX/TX module **1310** to send the power-on reset telemetry signal to the
30 telemetry antenna **1332** for transmission to MFS **902**.

In other implementations, the power-on reset telemetry signal may not be provided. As discussed above, due to the proximity between MFS **902** and implantable, passive neural stimulator **922**, signal degradation due to propagation loss may not be severe enough to warrant implementations of handshake signals from the implantable, passive stimulator **922** in response to the transmission signal. In addition, the operational efficiency of implantable, passive neural stimulator **922** may be another factor that weighs against implementing handshake signals.

Once the FPGA circuit **1308** has been reset to an initial state, the FPGA circuit **1308** transitions to a configuration mode configured to read polarity assignments encoded on the received transmission signal during the configuration state. In some implementations, the configuration portion of the transmission signal may arrive at the wireless stimulation device through the RX antenna **1334**. The transmission signal received may provide an AC source **1314**. The AC source **1314** may be at the carrier frequency of the transmission signal, for example, from about **300** MHz to about **8**.

Thereafter, the control module **1312** may read the polarity assignment information and set the polarity for each electrode through the analog mux control **1316** according to the polarity assignment information in the configuration portion of the received transmission signal. The electrode interface **252** may be one example of analog mux control **1316**, which may provide a channel to a respective electrode of the implantable wireless stimulation device **922**.

Once the polarity for each electrode is set through the analog mux control **1316**, the implantable wireless stimulation device **922** is ready to receive the stimulation waveforms. Some implementations may not employ a handshake signal to indicate the wireless stimulation device **922** is ready to receive the stimulation waveforms. Rather, the transmission signal may automatically transition from the configuration portion to the stimulation portion. In other implementations, the implantable wireless stimulation device **922** may provide a handshake signal to inform the MFS **902** that implantable wireless stimulation device **922** is ready to receive the stimulation portion of the transmission signal.

The handshake signal, if implemented, may be provided by RX/TX module **1310** and transmitted by telemetry antenna **1332**.

In some implementations, the stimulation portion of the transmission signal may also arrive at implantable wireless stimulation device through the RX antenna **1334**. The transmission signal received may provide an AC source **1314**. The AC source **1314** may be at the carrier frequency of the transmission signal, for example, from about **300** MHz to about **8** GHz. The stimulation portion may be rectified and conditioned in accordance with discussions above to provide an extracted stimulation waveform. The extracted stimulation waveform may be applied to each electrode of the implantable wireless stimulation device **922**. In some embodiments, the application of the stimulation waveform may be concurrent, i.e., applied to the electrodes all at once. As discussed above, the polarity of each electrode has already been set and the stimulation waveform has been applied to the electrodes in accordance with the polarity settings for the corresponding channel.

In some implementations, each channel of analog mux control **1316** is connected to a corresponding electrode and may have a reference resistor placed serially. For example, FIG. **13** shows reference resistors **1322**, **1324**, **1326**, and **1328** in a serial connection with a matching channel. Analog mux control **1316** may additionally include a calibration resistor **1320** placed in a separate and grounded channel. The calibration resistor **1320** is in parallel with a given electrode on a particular channel. The reference resistors **1322**, **1324**, **1326**, and **1328** as well as the calibration resistor **1320** may also be known as sensing resistors **718**. These resistors may sense an electrical parameter in a given channel, as discussed below.

In some configurations, an analog controlled carrier modulator may receive a differential voltage that is used to determine the carrier frequency that should be generated. The generated carrier frequency may be proportional to the differential voltage. An example analog controlled carrier modulator is VCO **733**.

In one configuration, the carrier frequency may indicate an absolute voltage, measured in terms of the relative difference from a pre-determined and

known voltage. For example, the differential voltage may be the difference between a voltage across a reference resistor connected to a channel under measurement and a standard voltage. The differential voltage may be the difference between a voltage across calibration resistor **1320** and the standard
5 voltage. One example standard voltage may be the ground.

In another configuration, the carrier frequency may reveal an impedance characteristic of a given channel. For example, the differential voltage may be the difference between the voltage at the electrode connected to the channel under measurement and a voltage across the reference resistor in series. Because of
10 the serial connection, a comparison of the voltage across the reference resistor and the voltage at the electrode would indicate the impedance of the underlying tissue being stimulated relative to the impedance of the reference resistor. As the reference resistor's impedance is known, the impedance of the underlying tissue being stimulated may be inferred based on the resulting carrier frequency.

15 For example, the differential voltage may be the difference between a voltage at the calibration resistor and a voltage across the reference resistor. Because the calibration resistor is placed in parallel to a given channel, the voltage at the calibration is substantially the same as the voltage at the given channel. Because the reference resistor is in a serial connection with the given
20 channel, the voltage at the reference resistor is a part of the voltage across the given channel. Thus, the difference between the voltage at the calibration resistor and the voltage across the reference resistor correspond to the voltage drop at the electrode. Hence, the voltage at the electrode may be inferred based on the voltage difference.

25 In yet another configuration, the carrier frequency may provide a reading of a current. For example, if the voltage over reference resistor **1322** has been measured, as discussed above, the current going through reference resistor and the corresponding channel may be inferred by dividing the measured voltage by the impedance of reference resistor **1322**.

30 Many variations may exist in accordance with the specifically disclosed examples above. The examples and their variations may sense one or more

electrical parameters concurrently and may use the concurrently sensed electrical parameters to drive an analog controlled modulator device. The resulting carrier frequency varies with the differential of the concurrent measurements. The telemetry feedback signal may include a signal at the
5 resulting carrier frequency.

The MFS **902** may determine the carrier frequency variation by demodulating at a fixed frequency and measure phase shift accumulation caused by the carrier frequency variation. Generally, a few cycles of RF waves at the resulting carrier frequency may be sufficient to resolve the underlying carrier
10 frequency variation. The determined variation may indicate an operation characteristic of the implantable wireless stimulation device **922**. The operation characteristics may include an impedance, a power, a voltage, a current, etc. The operation characteristics may be associated with an individual channel. Therefore, the sensing and carrier frequency modulation may be channel specific
15 and applied to one channel at a given time. Consequently, the telemetry feedback signal may be time shared by the various channels of the implantable wireless stimulation device **922**.

In one configuration, the analog MUX **1318** may be used by the controller module **1312** to select a particular channel in a time-sharing scheme. The
20 sensed information for the particular channel, for example, in the form of a carrier frequency modulation, may be routed to RX/TX module **1310**. Thereafter, RX/TX module **1310** transmits, through the telemetry antenna **1332**, to the MFS **902**, the telemetry feedback encoding the sensed information for the particular channel.

Referring now to Figs. **14A** to **14D**, a connector device 1400 includes a
25 housing 1401 having a distal end 1402 for mating or coupling with an implantable device, such as an implantable stimulation lead (not shown) or other implantable electrical devices, such as a pacemaker or the like. As discussed above, a implantable stimulation lead may include one or more electrodes, for example, arranged in pairs. Each electrode may couple to a connector configured to be
30 driven by an excitation waveform. The excitation waveforms may cause electric charges to be released at an implantation site to excite an excitable tissue. As

illustrated in Figs. 14A and 14B, housing 1401 includes a hollow tube with an opening 1403 at the distal end 1402 of housing 1401. Opening 1403 is configured to receive the proximal end of the implantable device. The distal end 1402 also includes a set screw 1404 for tightening the distal end 1402 of housing 1401 around the proximal end of an implantable device. Housing 1401 may have a small profile to fit in an introducer, such as the inner space of a cannula or a syringe. In one configuration, housing 1401 may be small enough to pass through a 22 gauge tube. In other configurations, housing 1401 may be small enough to pass through a 12, 14, or 18 gauge tube. Housing 1401 may include a biocompatible coating material, such as polyurethane, silicon or the like and may have a length of 2-20 cm, preferably about 2-10 cm. The overall length of housing 1401 may be from about ten to fifty centimeters. Generally, housing 1401 may be flexible, and capable of being bent during a deployment procedure. Housing 1401 may also include a bio-compatible coating to reduce tissue coagulation. The bio-compatible coating may also be electrically insulating.

As shown in **FIG. 14B**, connector device 1400 includes one or more connection pads 1406 spaced apart from one another along the inside surface of the distal end of device 1400. The shape of the metallic connection pads may be circumferential or circular. In particular, connection pads 1406 are circumferentially shaped and include conductive, corrosion resistant, biocompatible material, such as platinum, platinum-iridium, gallium-nitride, titanium-nitride, iridium-oxide or the like. As shown, each of the connection pads 1406 is a circular ring that extends circumferentially around the inner surface of the housing 1401 such that a central axis of the connection pads 1406 is coaxial with a central axis of the housing 1401. The connection pads 1406 may be separated, for example, by anywhere between about 1mm to 10 mm. The connection pads include two to eight individual connection pads. Connection pads 1406 may be configured to mate with connectors of electrodes of an implantable lead. The mating may be achieved by form fit in which the shape of a connection pad compliments the shape of a corresponding connector such that the connection pad and the complimentary connect snap into each other. The

connectors of electrodes of an implantable lead may also be known as electrode contacts. In some implementations, housing 1401 may be in the shape of a hollow tube and the connection pads may form one or more rings along the inner surface of housing 1401. In particular, the rings may be spaced along a direction
5 coaxial to the central axis of the hollow tube. In other words, the connector pads 1406 may be spaced longitudinally within housing 1401.

The Connector receiver device 1400 further includes one or more antennas 1408 and flexible microelectronic circuitry 1410 coupling the antennas 1408 to the connection pads 1406. Antennas 1408 receive an input signal
10 through radiative coupling from a remote source exterior to connector receiver device 1400. As described in detail above, the source may be located outside a patient's body. The source may also be known as a pulse generator. The input signal transmitted through radiative coupling and received by antennas 1408 may include wireless energy and waveform parameters. Based on the input signal,
15 microelectronic circuitry 1410 may harvest the electric energy and excitation waveforms for driving an implantable lead through connection pads 1406. Specifically, circuitry 1410 converts waveform parameters from the input signal into electrical impulses and distributes the electrical impulses through wires in housing 1401 to connection pads 1406. The material of the metallic connection
20 pads 1406 may include a conductive, corrosion resistant, biocompatible material like platinum, platinum-iridium, gallium-nitride, titanium-nitride, or iridium-oxide. The non-inductive antennas may include two to ten non-inductive antennas, each having a length from about 0.25 cm to 12 cm. The non-inductive antennas may include patch antennas.

25 During a deployment procedure, the connection pads are affixed to at least one connector of an electrode of an implantable lead, as discussed above, to form an electric connection from the connection pads to the at least one connector of an implantable lead. In some implementations, the electric connection may be formed *in-situ*, i.e., during the procedure and inside the
30 patient's body. As noted above, housing 1401 can be as small as the inner diameter of a 22-gauge tube. Set screw 1401 may have a commensurate size.

During the deployment procedure, when, for example, the patient has an existing stimulation lead already implanted, housing 1401 may be surgically introduced into the patient body. The proximal end of the implanted stimulation lead may be inserted into housing 1402 through opening 1403. Set screw 1404 may be
5 tightened to couple connection pads 1406 inside housing 1401 with connections of electrodes on the implanted stimulation lead. In some implementations, set screw 1404 may be manipulated by a screw driver. Thereafter, the incision entry point may be sutured. Because of the small size of housing 1401 and set screw 1404, the incision can be made of a commensurate size to reduce trauma and
10 improve healing. Once connector device 1400 has been embedded, non-inductive antenna 1408 may receive an input signal from a source exterior to the patient's body. Microelectronic circuitry 1410 may harvest electric energy and waveform parameters from the input signal to generate one or more electric impulses. Connection pads 1406 may distribute the electric impulses to
15 connectors of the implantable lead so that the electrodes of the implantable lead may release charges to at the implantation site to excite the excitable tissue.

.As noted herein, the electric connection may be formed *in-situ*. In contrast, some devices may form such electric connections before the device has been implanted inside the body of a subject patient, as noted above.

20 The input signal may include wireless power and modulation instructions for generating one or more electrical impulses at the electrodes of the implantable lead. The electrical impulse(s) may have a frequency of 10,000 Hz or less and a pulse width of 1 ms or less. The duty cycle may be less than 10%. In certain embodiments, the frequency may be between about 1-500 Hz. The
25 receiving antenna(s) may include dipole antennas or the like that receive the input signal through electrical radiative coupling, as discussed in detail above.

Microelectronic circuitry 1410 may include flexible circuits between about 15 mm to 90 mm long, 0.7 mm to 2.0 mm wide and about 0.2 mm to 0.4 mm high. The flexible circuits, when placed inside the circumferential housing 1401,
30 undergo a bend radius of about 0.0 mm to 0.5 mm. The flexible circuits may include diodes and charge balancing components (not shown) to condition the

wireless power and produce a suitable stimulation waveform that is routed to the connection pads 1406, as discussed above. In certain implementations, circuitry 1410 may include a conductive trace feature (not shown) that functions as an antenna. In other embodiments, non-inductive antennas 1406 are fabricated with
5 conductive wires connected to circuitry 1410.

FIG. 14C illustrates connector receiver device 1400 comprising a housing 1401 with a distal connector terminal 1403 designed for receiving an implantable lead, such as a paddle lead. As in the previous embodiment, housing 1401 comprises connection pads 1406, circuitry 1410, and antennas 1408 to receive
10 the input signal and transmitting electrical impulses to the implantable lead (not shown) being mated through distal connector terminal 1403. Housing 1401 also includes a set screw 1404 for attaching the distal connector terminal 1403 to the proximal end of the implantable lead. Stopper 1412 may prevent the proximal end from advancing too far into the connector terminal to cause damage to
15 microelectronic circuit 1410. As noted herein, set screw may be used to affix connectors on an implantable lead to connection pads housed in the distal connector terminal 1403 of housing 1401. The connectors on the implantable lead may be coupled to the electrodes on the implantable lead (not shown). Housing 1401 may include a height profile of between 1.0 mm and 1.3 mm,
20 which allows for multiple implantable leads (for example, paddle connector stimulators) to be mated with housing 1501 concurrently (at one time) and sequentially (at different times). In configuration, the mating may occur before the mated connector-leads assembly are placed inside the patient. The mated connection device 1400 and implanted leads may be introduced into a patient's
25 body through an introducer (not shown). In another configuration, the mating may occur during the placement procedure. Through an incision on the patient's body, a screw driver may tighten set screw 1404 to affix the connection pads 1406 to at least one connection on the implantable lead.

FIG. 14D illustrates connector receiver device 1400 including a hollow
30 tube enclosure 1401 that houses circumferential connection pads 1406, non-inductive antennas 1408 and a flexible electronic circuit 1410 that couples pads

1804 to antennas 1806. Connector receiver device 1400 may include between 1-4 flexible circuits 1410, typically between 15 mm and 90 mm long, and 0.7 mm and 2.0 mm wide.

FIG. 15 illustrates an exemplary method of mating a connector device 5 1400 with an implanted lead 1500. In some implementations, a patient may have a lead 1500 already implanted. Connection receiver device 1500 is advanced into the patient body. The advancement may be through an incision entry on the patient's body. Thereafter, connection receiver device 1400 may mate with 10 implanted lead 1500 by moving the connection receiver device 1400 and lead 1500 relative to each other such that the lead 1500 passes through distal opening 1403 in connector receiver device 1400 until the connectors 1502 on implanted lead 1500 are mated with connection pads 1406 on the inside of 15 connector device 1400. Connectors 1502 are the ring structures as shown in Fig. 15 and are connected to electrodes on the distal end (not shown) of the implanted lead 1500. The implanted lead 1500 may include a standard commercial percutaneous or paddle lead. A set screw 1404 on connector receiver device 1400 is then tightened down to insure that connectors 1502 remain fixed to connection pads 1406 on connector receiver device 1400. The antenna(s) are connected via conducting wires within connector receiver device 20 1400 to the microelectronic circuit 1410 (e.g., waveform conditioning circuitry) within the proximal end of connection receiver device 1400. Thereafter, introducer devices may be withdrawn and the incision point may be sutured. After both the connector receiver device 1400 and lead 1500 have been implanted at the target site within the patient, a subcutaneous anchor (not shown) may be 25 used to mitigate vertical and horizontal migration of the combined device. As noted above, the small size of housing 1401 and set screw 1404 may give rise to smaller incision points and the use of smaller incision devices and screw tightening devices. The smaller sizes can lead to reduced trauma during the deployment procedure and improved healing after the deployment procedure.

30 A method for modulating a target nerve in a patient can now be described. As discussed above, connector receiver device 1400 is coupled to an

implantable lead 1500 by mating the male end of lead 1500 with the female distal end of device 1400. Set screw 1404 may then be tightened down and the combined device is implanted at a target site within the patient. In some embodiments, an introducer, such as a cannula or the like, is advanced to a target site within the patient adjacent to excitable tissue, such as a target nerve. The introducer may be advanced through a percutaneous penetration in the patient, through an endoscopic opening in the patient, or directly in an open surgical procedure.

Once connector receiver device 1400 and lead 1500 are suitably positioned at the target site, an input signal is delivered to one or more receiving antenna(s) (not shown) in connector receiver device 1400 from an external transmitting antenna and controller located outside of the patient's body. As discussed in detail above, the input signal preferably contains energy and waveform parameters. Circuitry within connector receiver device 1400 converts the waveform parameters into one or more electrical impulses that are delivered through connection pads 1406 to electrodes within lead and on to the nerve sufficient to modulate the nerve. For example, the electrical impulses may be sufficient to generate an action potential in the nerve to treat chronic pain or a disorder in the patient.

In some implementations, the connector receiver device may be implanted into a person to stimulate the spinal cord to treat pain after mating with the existing commercially available systems. The small incision at the skin is stitched with a suture or sterile strip after placement of the anchoring mechanism.

Figure 16 illustrates an embodiment of a Y-shaped connector device 1600 comprising a hollow tube housing 1602 with a distal connection terminal 1604 having first and second internal tubes 1606, 1608. In one embodiment, first tube 1606 is configured to receive an implantable lead (not shown) for mating connection pads within device 1600 with the connectors of electrodes of the lead. Second tube 1608 includes flexible circuitry for coupling the connection pads with antennas in the proximal end of device 1600. In another embodiment, first tube 1606 includes connection pads coupled to an electronic circuit in housing 1602.

First tube 1606 is configured to couple with a first implantable lead (not shown) such that connection pads with the first tube are mated with connectors of the electrodes of the first implantable lead. Likewise, second tube 1608 also includes connection pads coupled to an electronic circuit in housing 1602. Second tube
5 1608 is configured to couple with a second implantable lead (not shown) such that connection pads with the second tube are mated with connectors of the electrodes of the second implantable lead.

In certain embodiments, the connecting device further comprises recording electrodes and electronics for recording sensing information and
10 parameters regarding the electrical impulses that are applied to the targeted nerve. The recording/sensing electrodes may be separate from the stimulation electrodes or they may be the same electrodes that used for the stimulation. These parameters are transmitted wirelessly (preferably through electrical radiative coupling as discussed above) to receiving antennas (not shown) outside
15 of the patient's body. A controller (not shown), such as the microwave field stimulator discussed above, receives the parameters from the connector device and adjusts the input signal based on those parameters. The adjusted input signal is then sent back to the receiving antennas within the connector device such that the electrical impulses may be adjusted in a closed-loop fashion.

Some or all of the implementations described in this may have advantages compared to devices that include an implantable lead with two or more electrodes attached by a wired connector to a subcutaneous battery-operated implantable pulse generator (IPG) or other charge storage to provide power and create the electrical impulses carried by hard wire to the lead body containing the
20 electrodes.

In particular, some implementations may avoid the disadvantages of IPG based systems with have several disadvantages, such as: a large surgical pocket to house the implantable pulse generator with a battery or charge storage component; extensions and connectors between the IPG and the proximal end of
30 the lead that are housed under the skin, and a need to recharge or explant the IPG. Having the IPG tethered to the implant within the patient's body may be a

disadvantage because this connection can cause lead migration and the possibility for loss of therapy from a disconnection from the IPG. Placement of an IPG also requires an invasive surgical procedure, as the physician must create a pocket of a substantial size of 18 to 75 cc within the body of the patient, typically around the abdomen or buttocks area. Tunneling may also be required to connect the IPG to the proximal end of the lead located at the targeted nerves. The lead or extension wires must be routed under the skin to reach the wired implantable lead. However, devices that utilize a battery-powered or charge-storage component are no longer functional once the battery cannot be recharged or charge cannot be stored. Consequently, for an implanted device, a patient would need to undergo a subsequent surgical procedure to obtain a functional replacement device.

IPG based systems are also associated with numerous failure modes, including, for example, mechanical dislodgement due to motion, acceleration and impingement of the lead electrode assembly, infection and uncomfortable irritation. In addition, wires leads have severe limitations with respect to the ability to precisely position the leads close to the targeted nerve fibers, weakening the signal and/or requiring greater power to reach the targeted nerves. Increased power consumption can decrease battery life, which may require more frequency surgical replacement of the implanted battery. Failure to place the leads in the proper position can also lead to sub-optimal clinical outcomes and/or potential undesired stimulation of non-targeted tissues within the body, such as activation of muscle responses.

A number of implementations have been described. Nevertheless, it will be understood that various modifications may be made. Accordingly, other implementations are within the scope of the following claims.

WHAT IS CLAIMED IS:

1. A device for providing an implantable lead with wireless energy, the device comprising:

5 a housing configured for implantation in a patient's body;

one or more non-inductive antennas substantially enclosed within the housing and configured to receive electromagnetic energy radiated from a source located outside of the patient's body;

10 electronic circuitry coupled to each of the one or more non-inductive antennas and configured to extract electric power and excitation waveforms from the radiated electromagnetic energy as received by the one or more non-inductive antennas; and

15 one or more connection pads substantially enclosed within the housing, wherein the connection pads are configured to couple with one or more electrodes in the implantable lead and form an electric connection over which the connection pads provide the extracted excitation waveforms from the electronic circuit to the electrodes in the implantable lead, the implantable lead being separate from the device.

20 2. The device of claim 1, wherein the connection pads are configured to mate with at least one connector of the electrode of the implantable lead by a form fit between the connection pads and the at least one connector.

25 3. The device of claim 2, further comprising at least one set screw to tighten the mated connection pads and the at least one connector in forming the electric connection from the connection pads to the at least one connector of the electrode of the implantable lead.

30

4. The device of claim 1 wherein the electronic circuitry comprises one or more diodes and one or more charge balancing components, wherein the one or more diodes are configured to extract the electric power and excitation waveforms, and wherein the one or more charge balancing components are configured to facilitate distributing the excitation waveforms to the connection pads.
5. The device of claim 1, wherein the non-inductive antennas comprise two to ten non-inductive antennas, each having a length from about 0.25 cm to 12 cm.
6. The device of claim 1, wherein the connection pads comprise two to eight connection pads spaced apart from each other and each having a length of 1 cm or less.
7. The device of claim 1, wherein the housing comprises a hollow biocompatible tube having a distal opening configured for receiving at least a portion of the implantable lead.
8. The device of claim 7, wherein the connection pads are circumferential connection pads spaced from each other around an inside surface of the hollow tube and configured to mate with electrode contacts on the implantable lead.
9. The device of claim 7, wherein the implantable lead includes a paddle lead comprising a plurality of electrode contacts and wherein the connection pads are longitudinally spaced from each other on an inside surface of the hollow tube and configured for mating to the electrode contacts of the paddle lead.
10. The device of claim 7 wherein the hollow tube comprises a Y-shaped proximal end having first and second tubes, wherein the connection pads are

arranged on an inside surface of the first tube and an inside surface of the second tube, wherein the connection pads on the inside surface of the first tube are configured to mate to at least one connector of an electrode of a first implantable lead, and wherein the connection pads on the inside surface of the second tube are configured to mate to at least one connector of an electrode of a second implantable lead.

11. The device of claim 1 wherein the housing is from about ten to fifty centimeter in length.

12. The device of claim 1 wherein the connection pads are separated from each other by a distance of about 0.1 to 1.0 cm.

13. The device of claim 1, wherein the housing includes a hollow tube having a diameter small enough to pass through a 12 to 22-gauge tube.

14. A system for modulating excitable tissue in a body of a patient comprising:
a connector receiver device for connecting to an implantable lead in the patient's body, the connector device comprising;

one or more receiving antennas;

one or more connection pads; and

an electronic circuit coupled to the non-inductive antennas and the connection pads;

a control device having a transmitter located outside of the patient's body and configured to transmit an input signal containing electrical energy and waveform parameters to the receiving antennas through radiative coupling; and

wherein the electronic circuit is configured to convert the waveform parameters into one or more electrical impulses sufficient to modulate excitable tissue; and

wherein the connection pads are configured to couple with one or more electrodes in the implantable lead and form an electric connection over which the

connection pads provide the one or more pulses from the electronic circuit to the electrodes in the implantable lead, the implantable lead being separate from the connector receiver device.

5 15. The system of claim 14 wherein the connector receiver device comprises an enclosure for housing the receiving antennas, connection pads and electronic circuitry, the enclosure comprising a substantially hollow tube with a distal end configured for receiving at least a portion of the implantable lead.

10 16. The system of claim 14 wherein the electronic circuit comprises: one or more diodes and one or more charge balancing components.

15 17. The system of claim 14 wherein the control device comprises a transmitting antenna configured to transmit the input signal through a carrier signal having a frequency between about 300 MHz and 8 GHz.

18 The system of claim 14 wherein the control device comprises a pulse generator configured to generate an electrical impulse with a frequency of about 10 to 500 Hz.

20

19. The system of claim 14 wherein the control device is configured to transmit the input signal at least 10 cm from an outer skin surface of the patient through tissue to the target site.

25 20. A method for modulating excitable tissue in a body of a patient comprising: coupling one or more connection pads on a connector receiver device to one or more electrodes in an implantable stimulation device;

30 advancing the connector receiver device and the implantable stimulation device to a target site in the patient's body adjacent to or near an excitable tissue;

radiating an input signal containing energy and waveform parameters from

a location outside of the patient's body to one or more antennas in the connector device such that the waveform parameters are converted to one or more electrical impulses and the electrical impulses are applied to the electrodes in the implantable stimulation device.

5

21. The method of claim 20 wherein coupling comprises mating a distal end of a hollow tube of the connector receiver device to a proximal end of the implantable stimulation device.

10 22. The method of claim 20 wherein coupling occurs within the patient's body at the target site.

23. The method of claim 20 wherein radiating the input signal comprises radiating the input signal on a carrier signal having a frequency between about
15 300 MHz and 8 GHz.

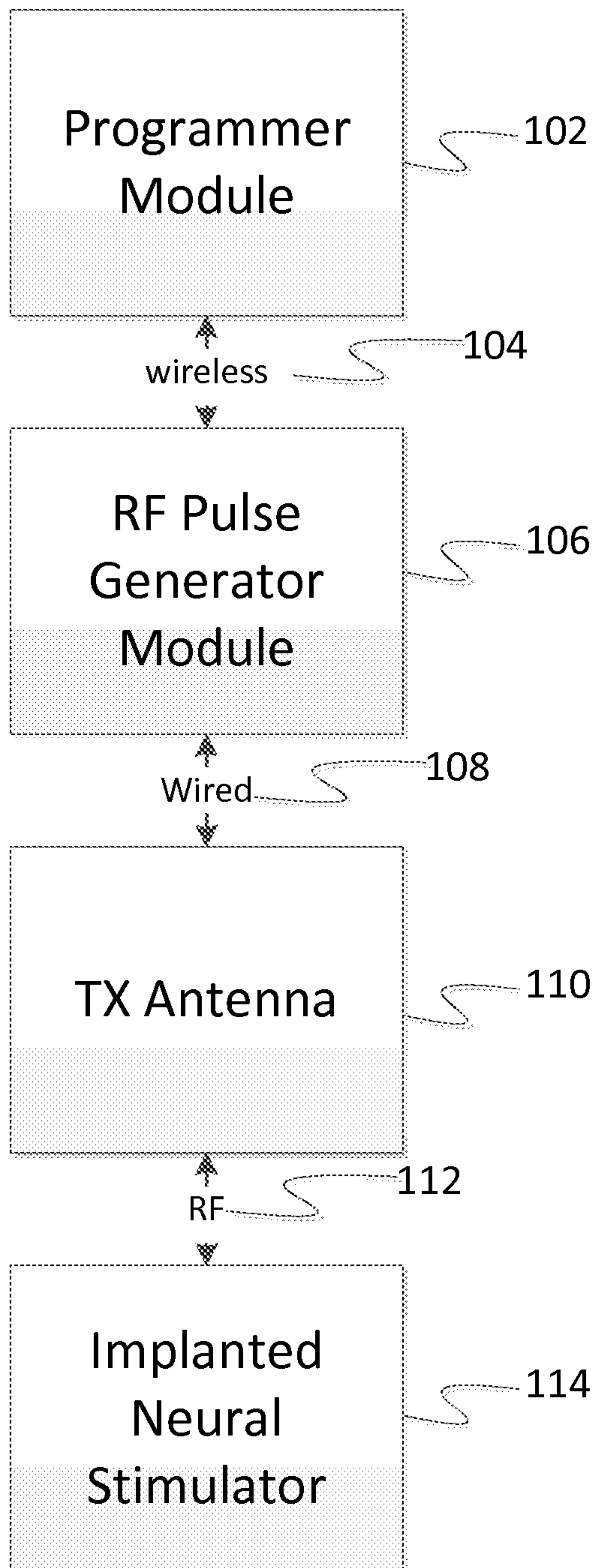


FIG 1

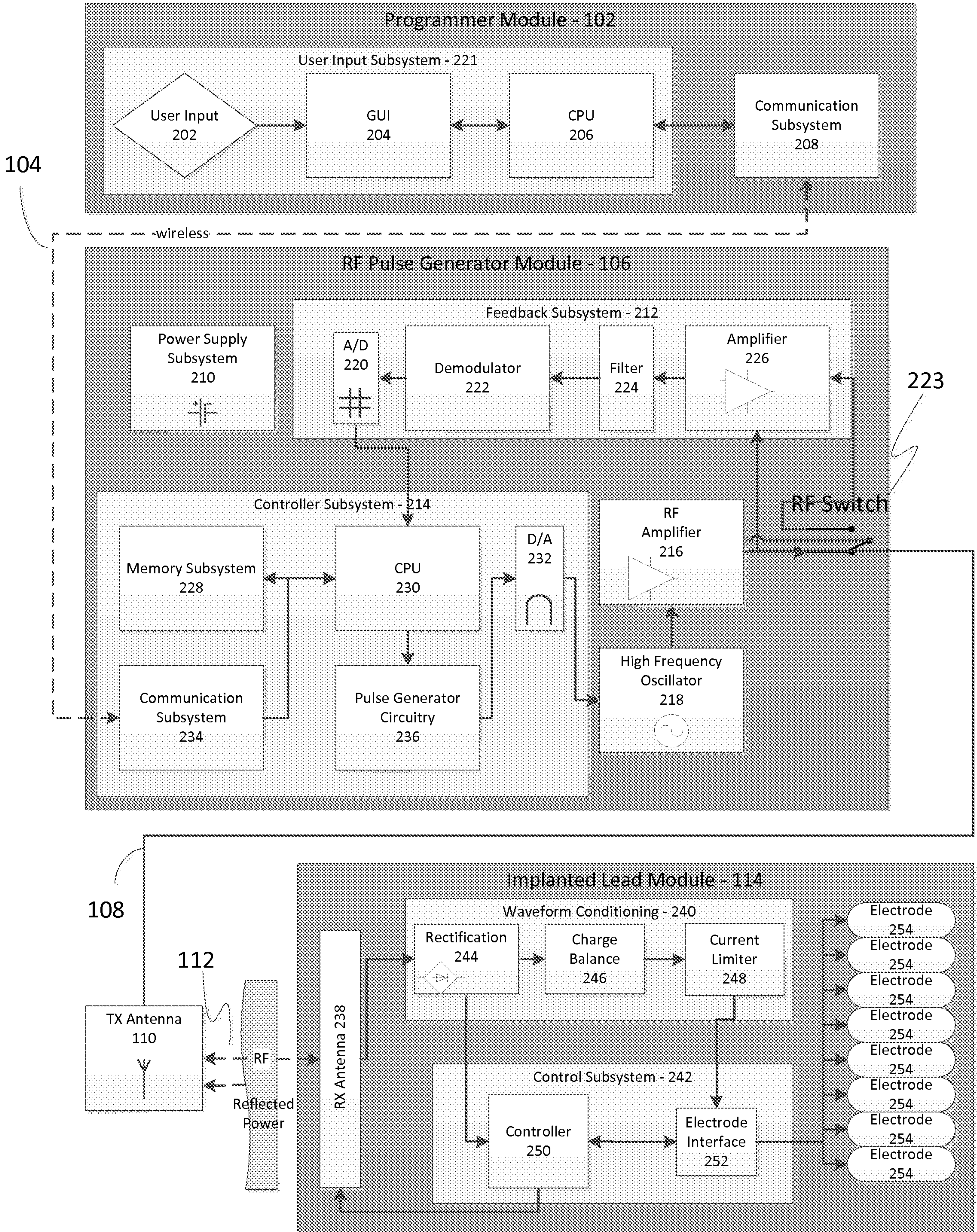


FIG 2

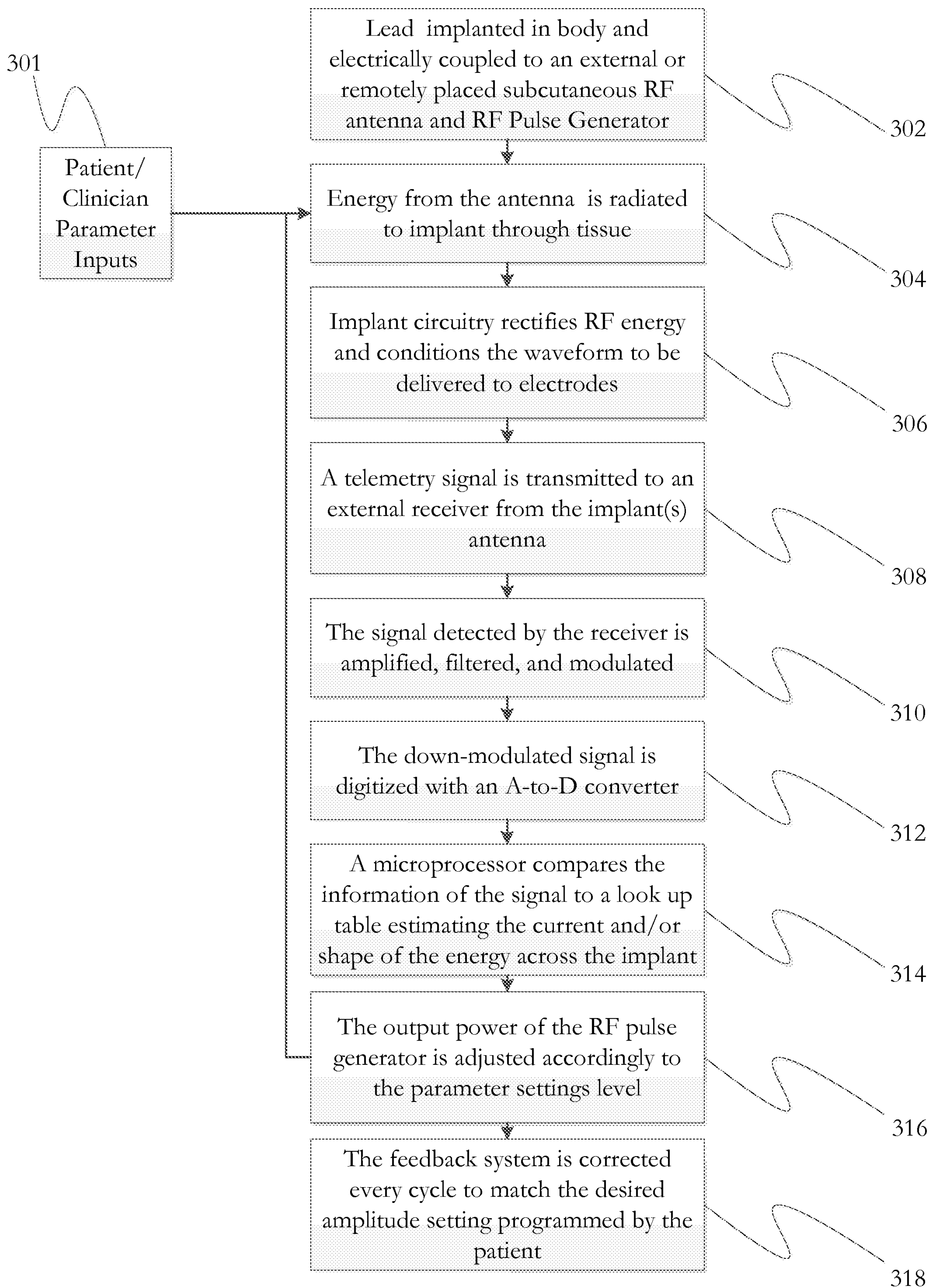


FIG 3

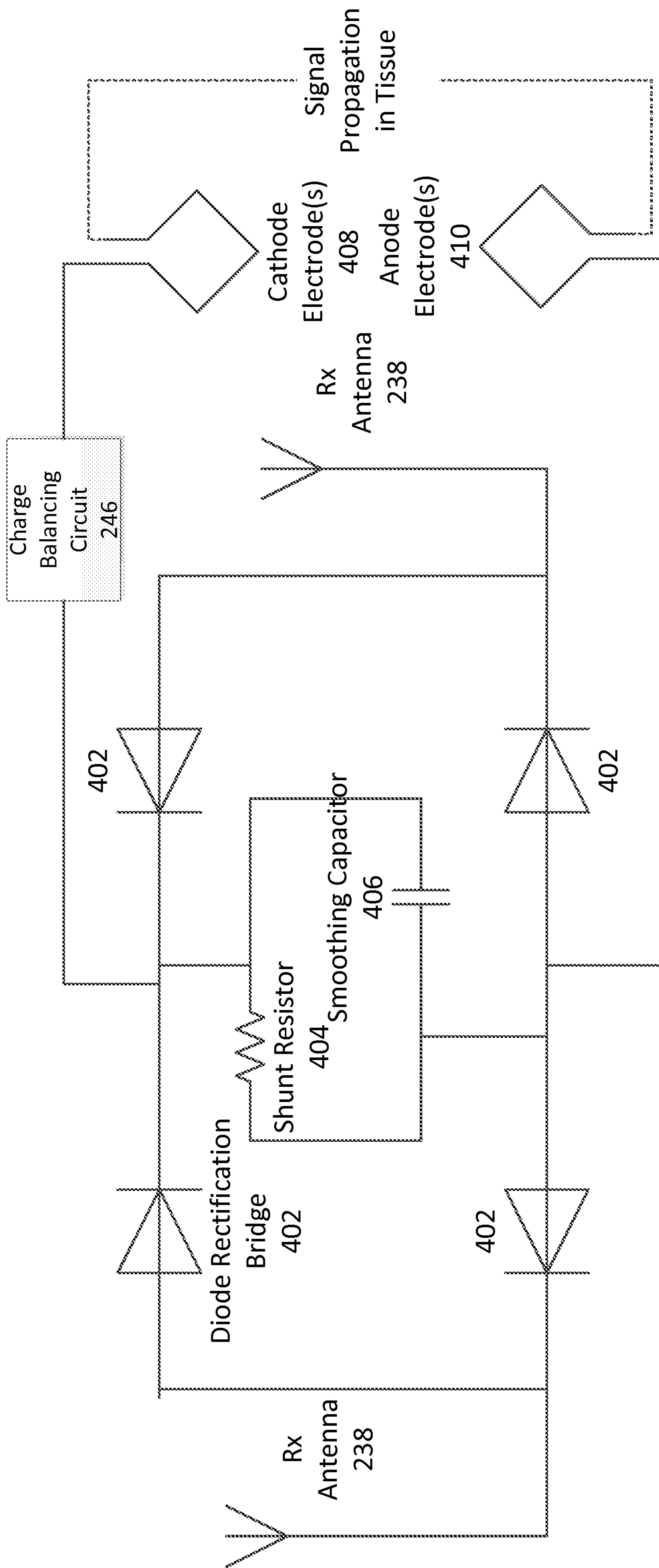


FIG 4

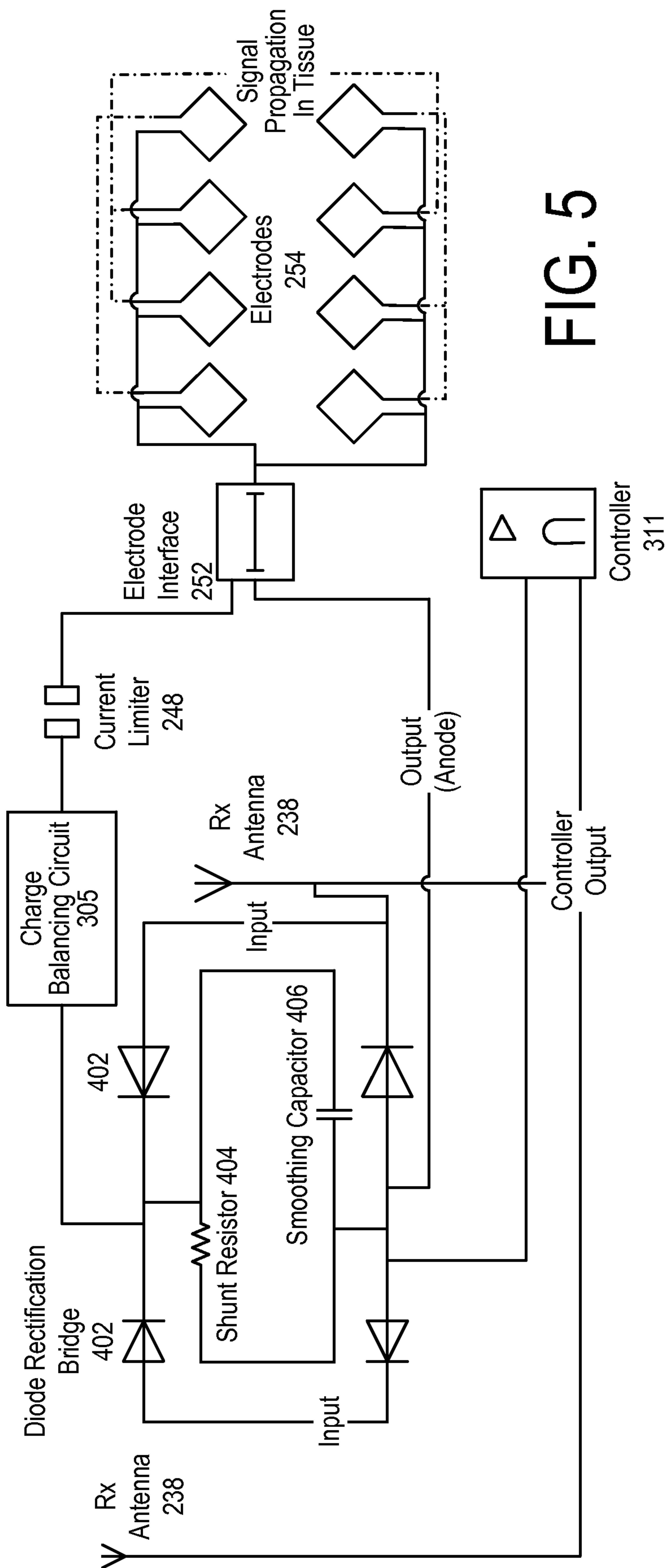


FIG. 5

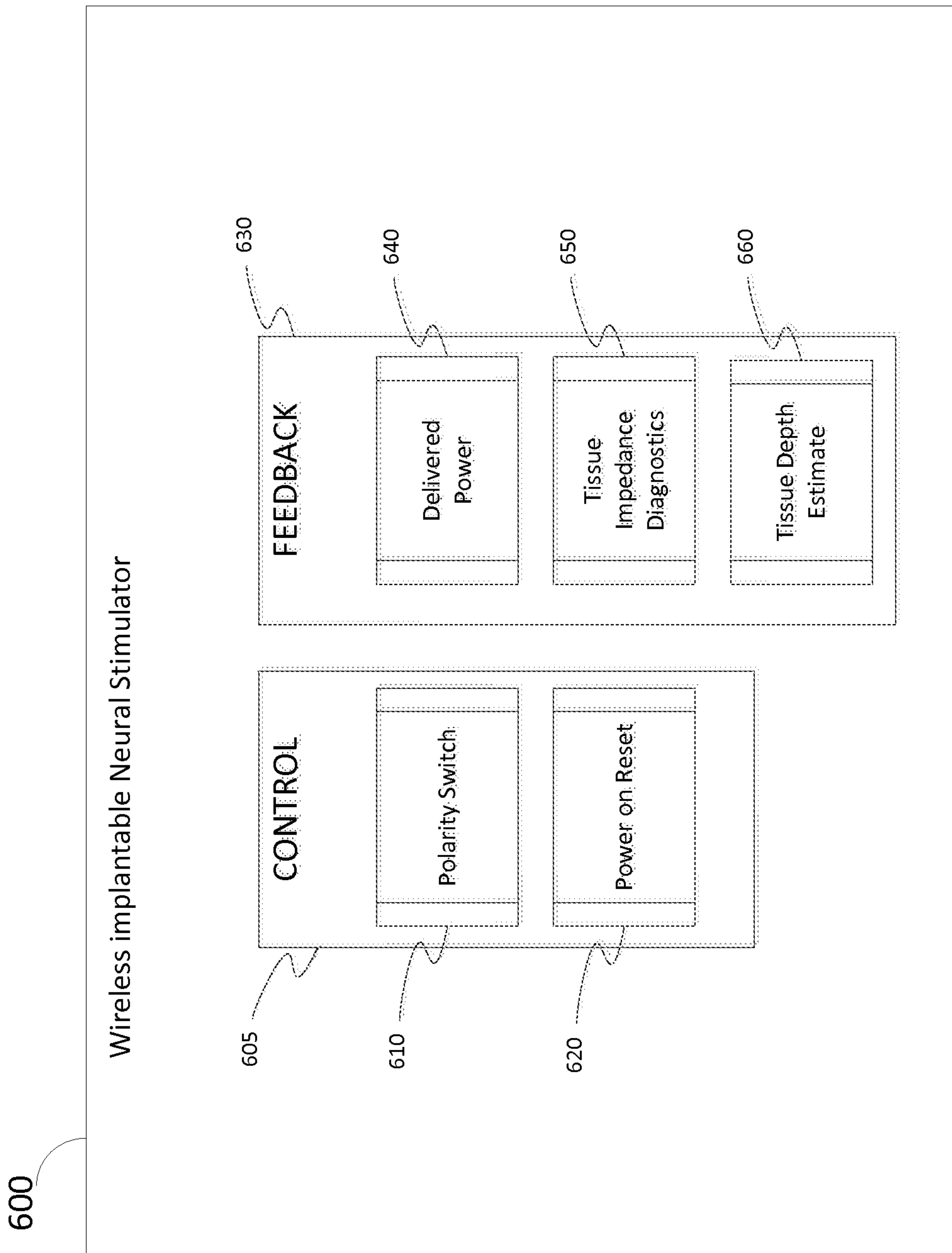


FIG. 6

700

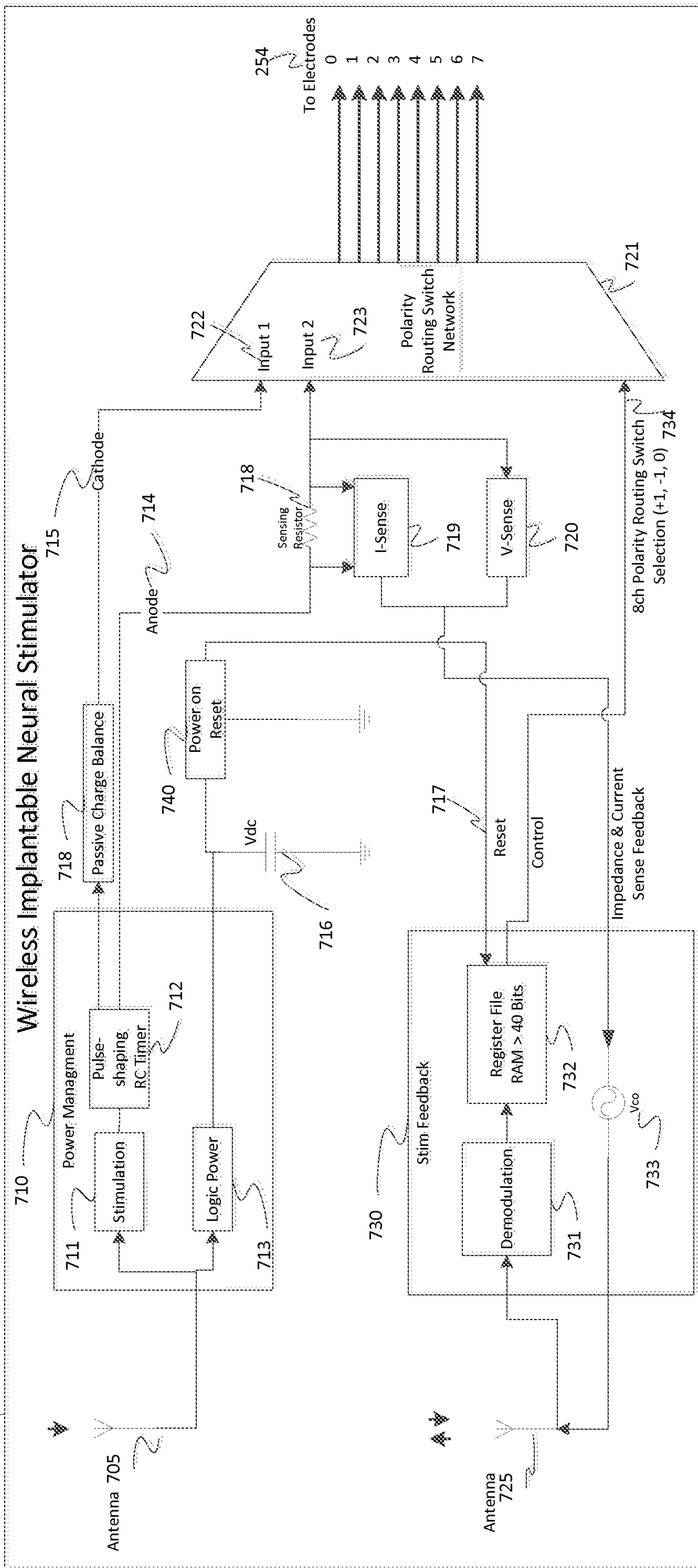


FIG. 7

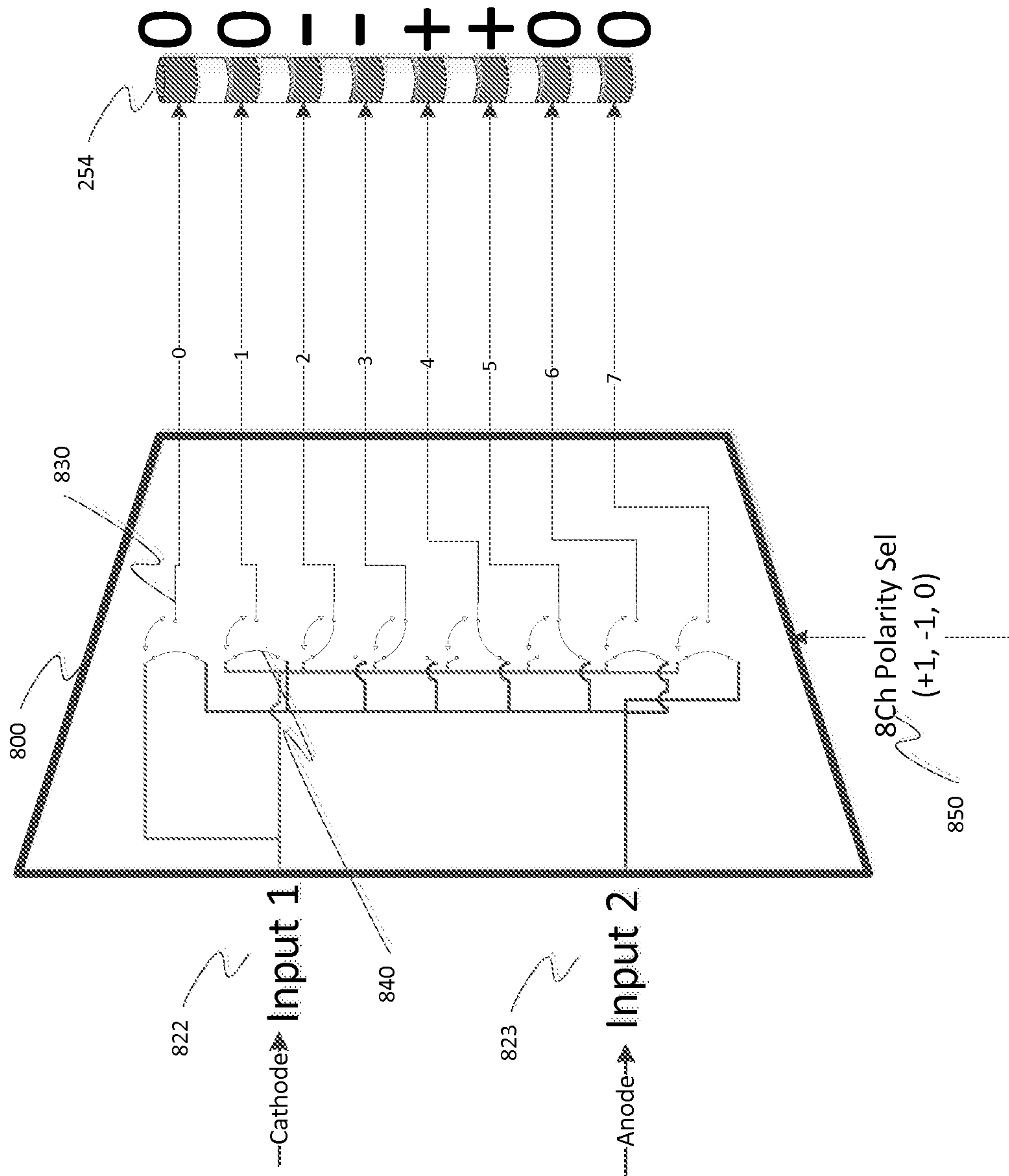


FIG. 8

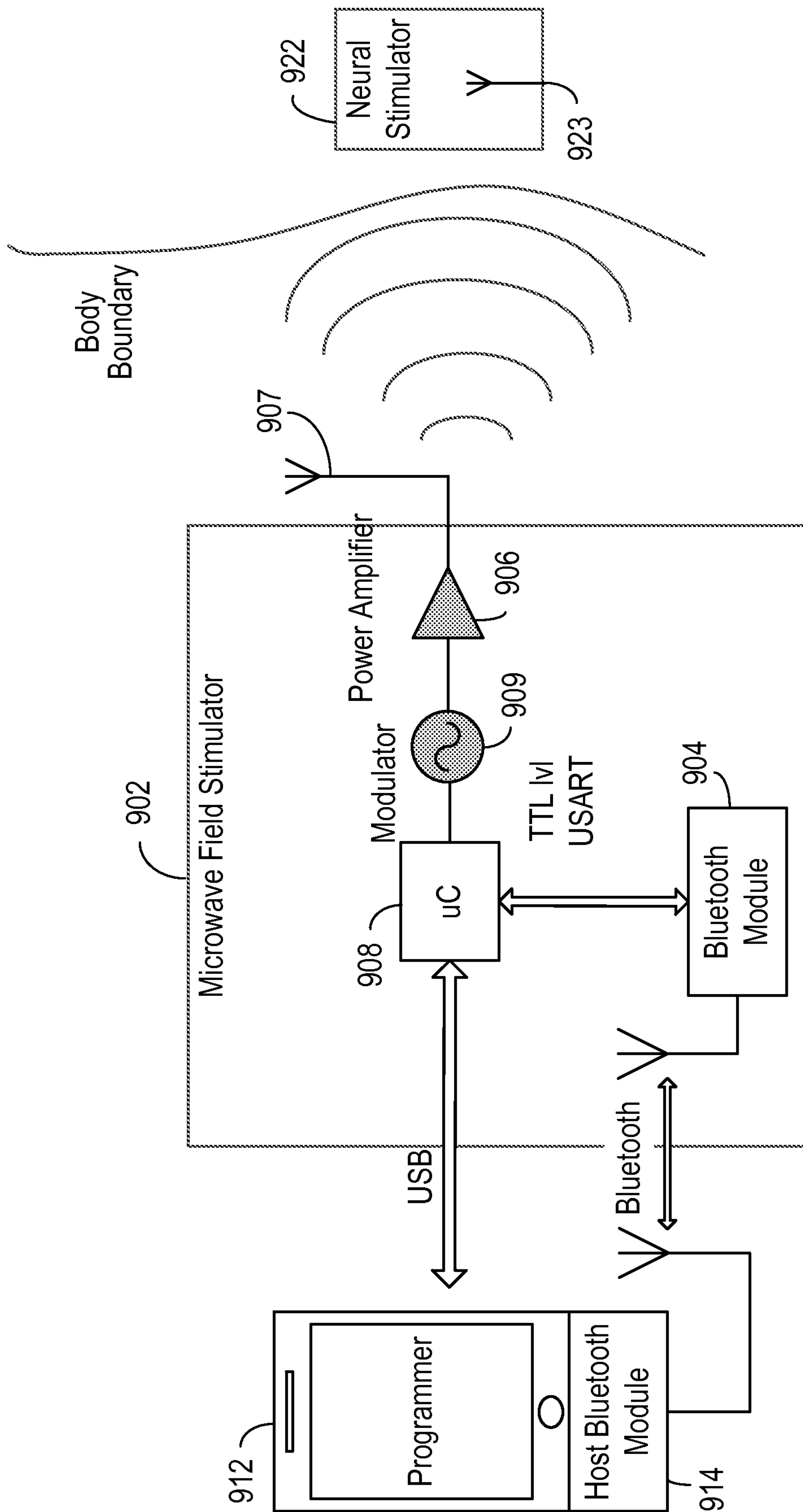


FIG. 9A

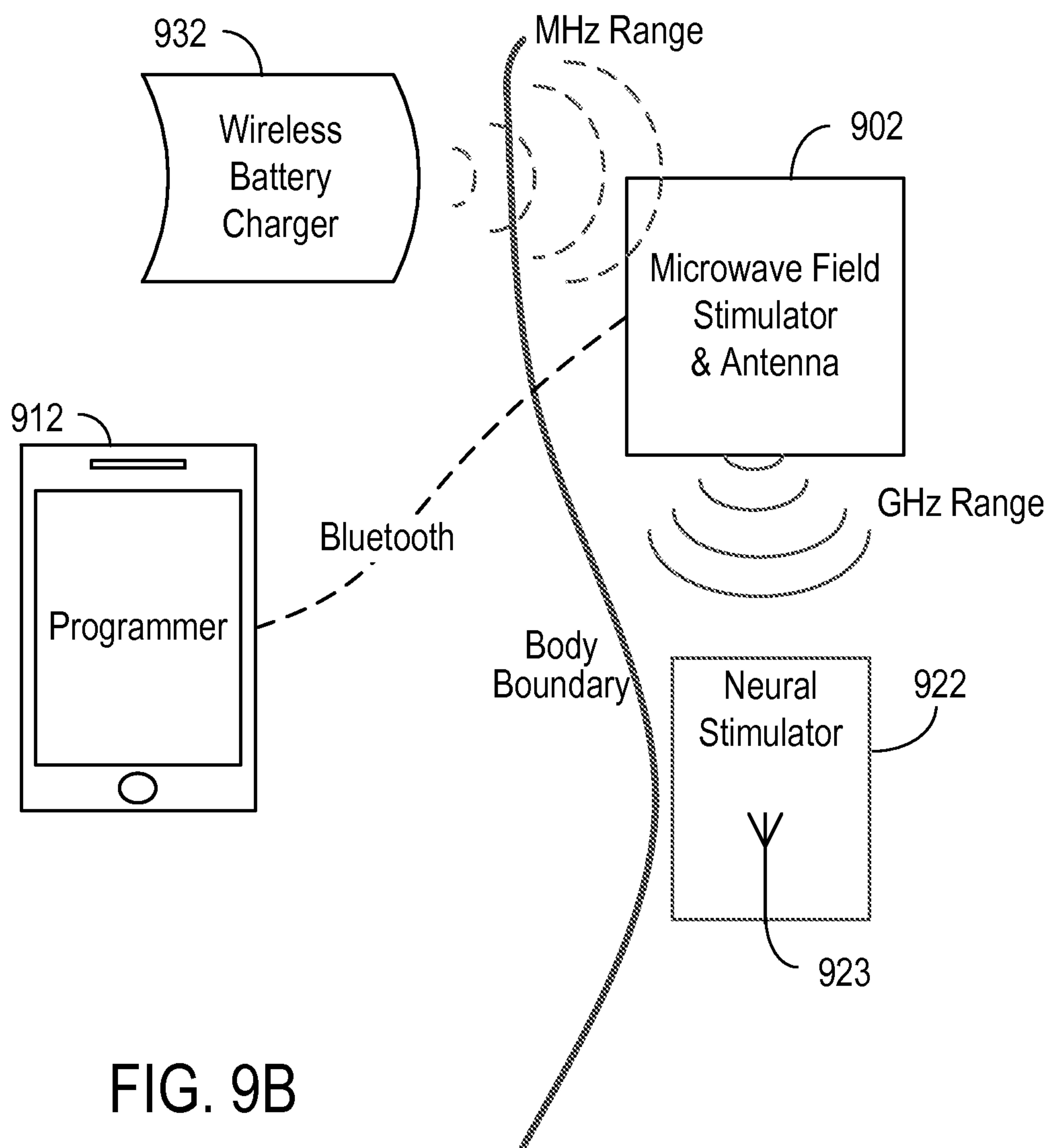
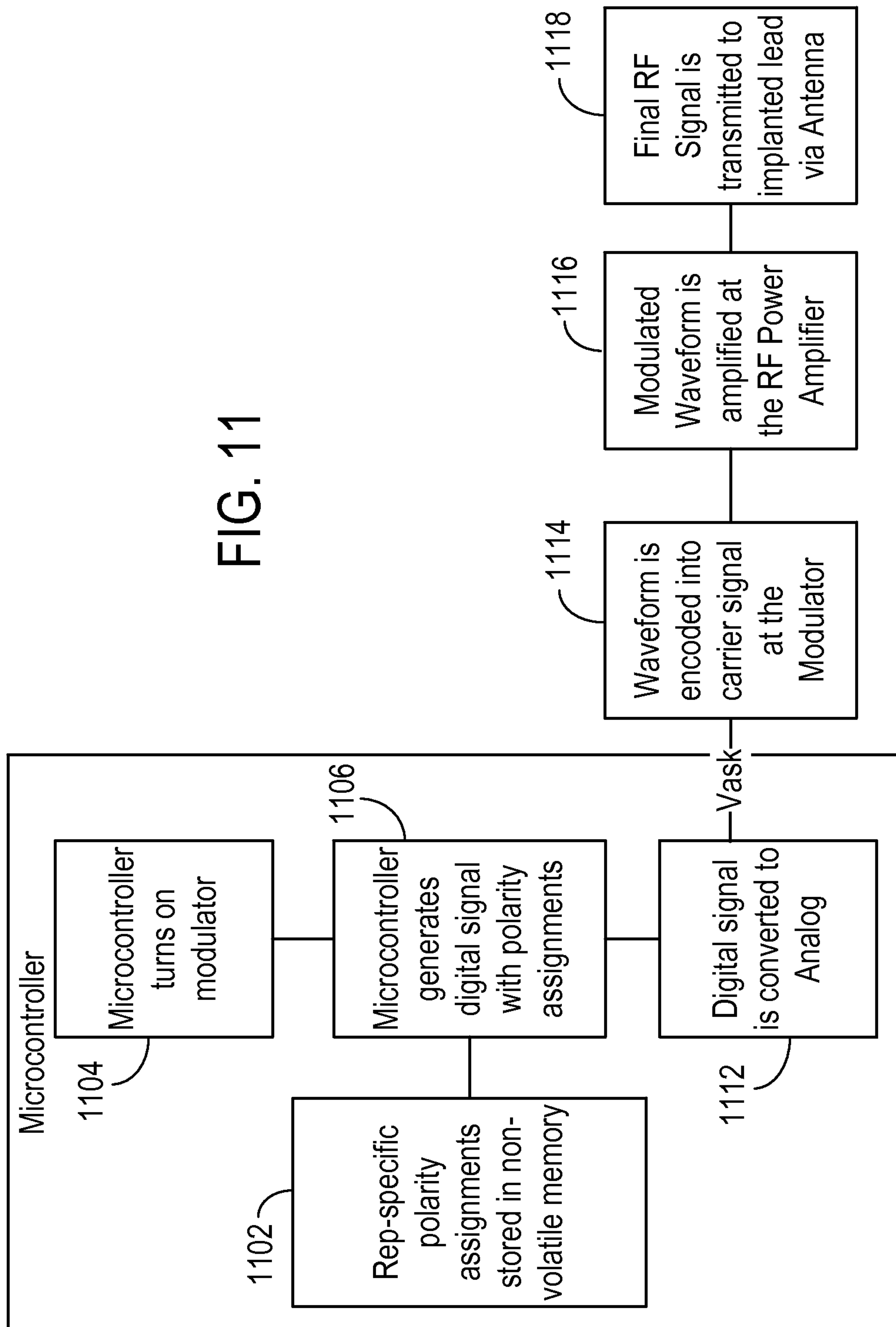


FIG. 9B

FIG. 11



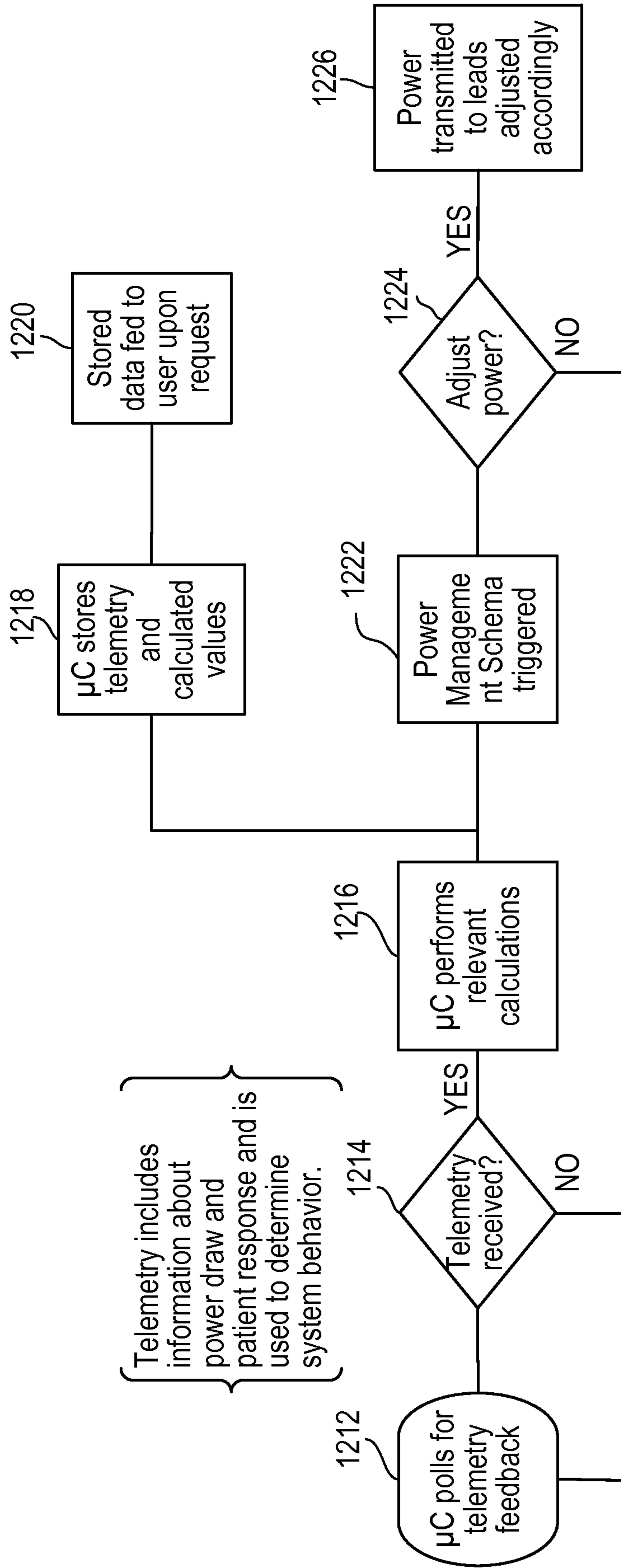


FIG. 12

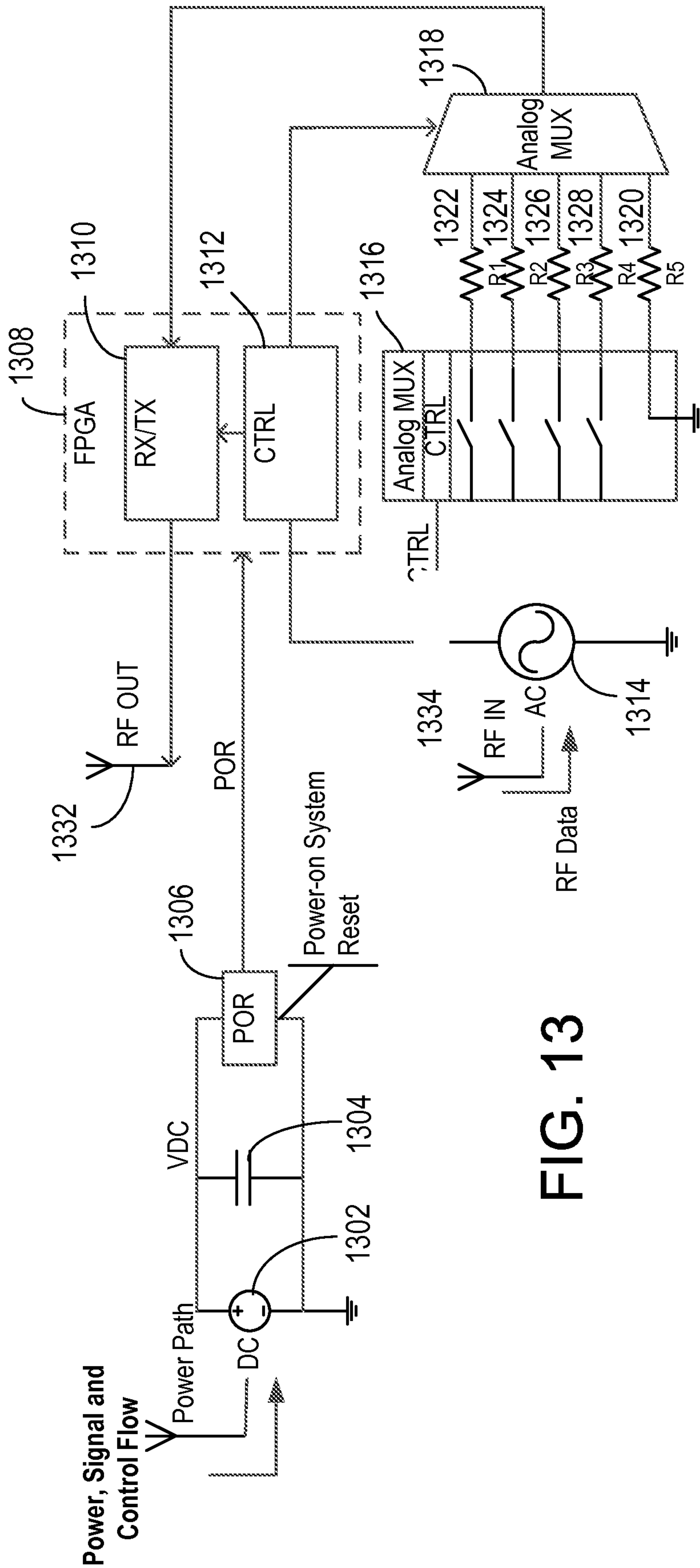


FIG. 13

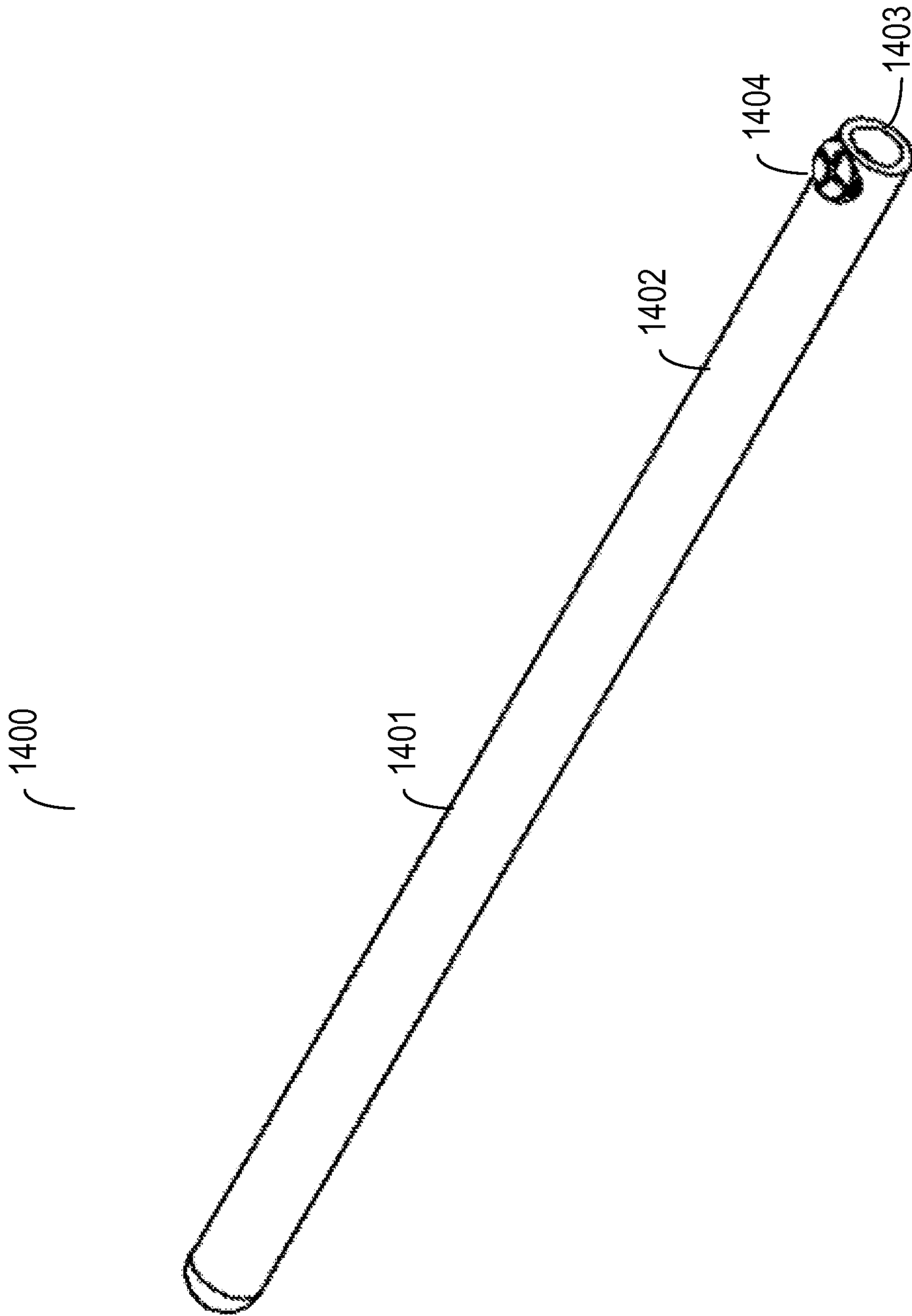


FIG. 14A

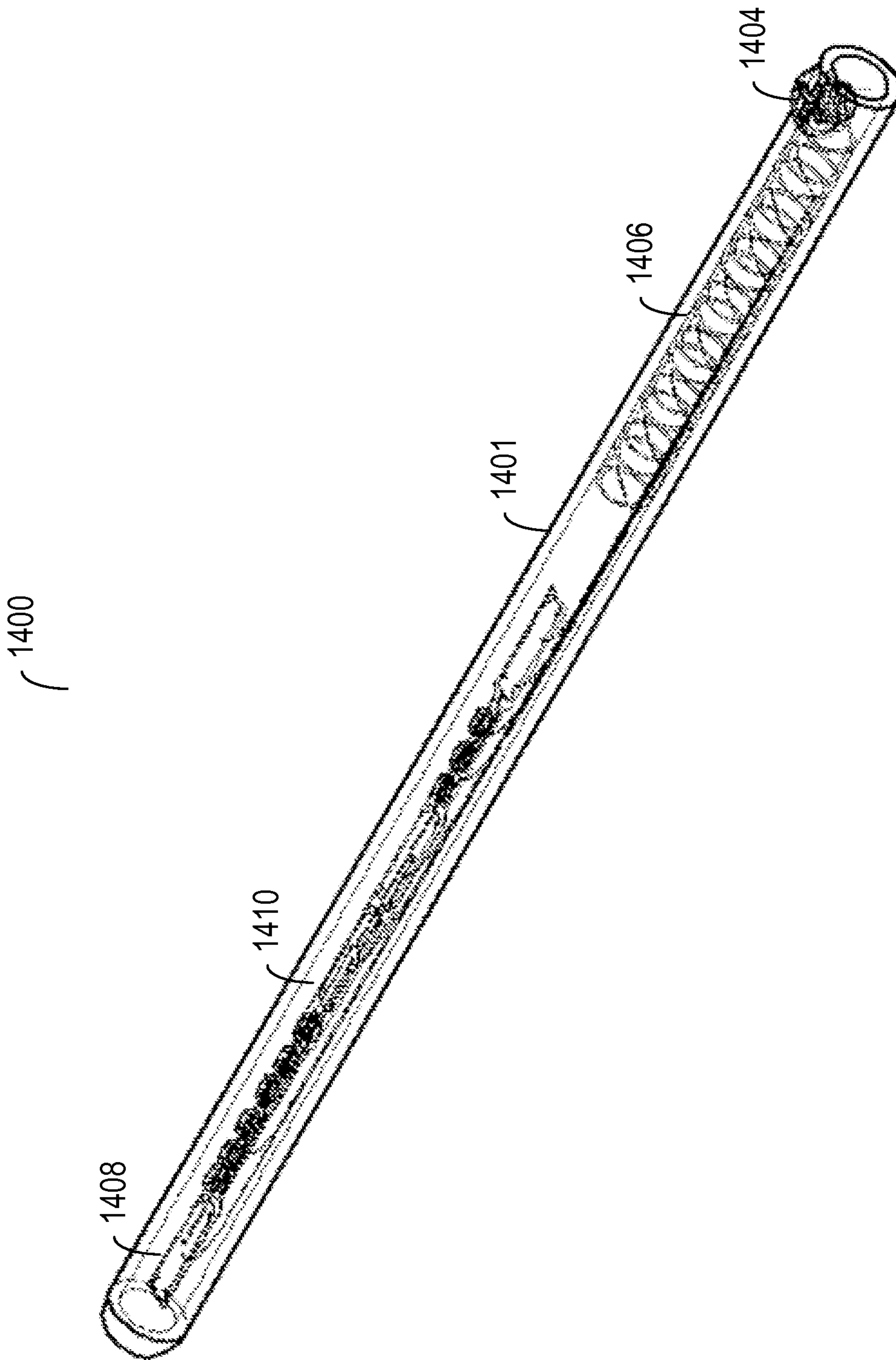


FIG. 14B

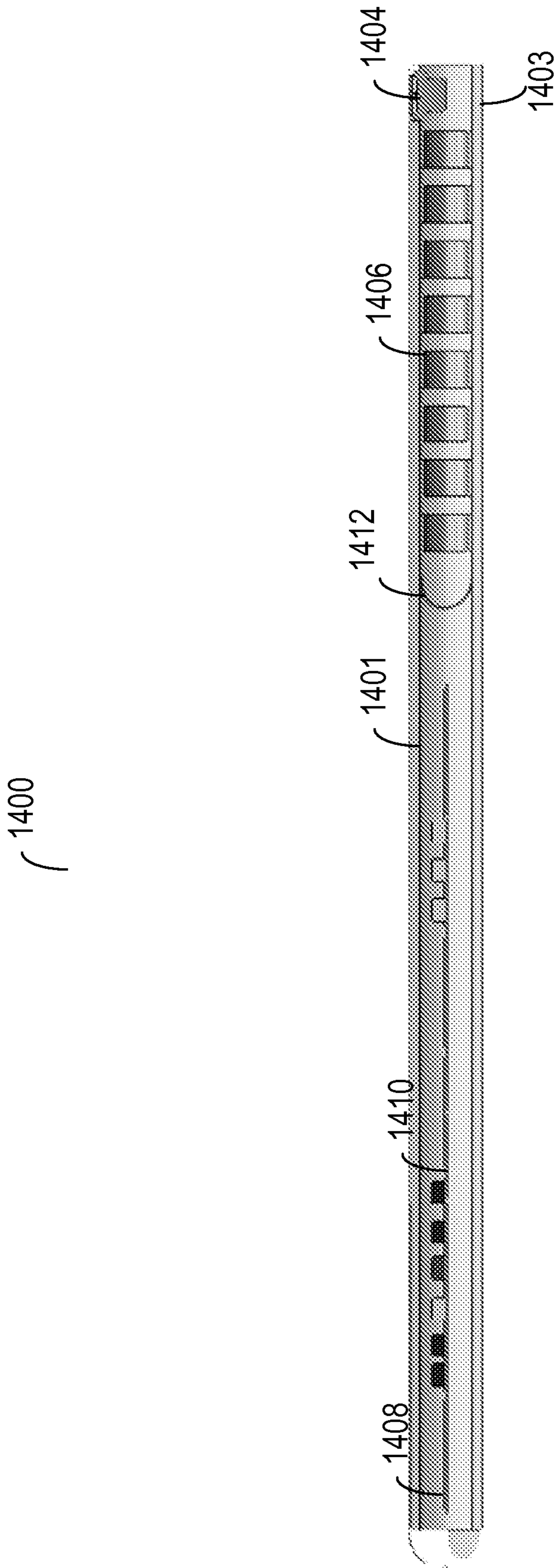


FIG. 14C

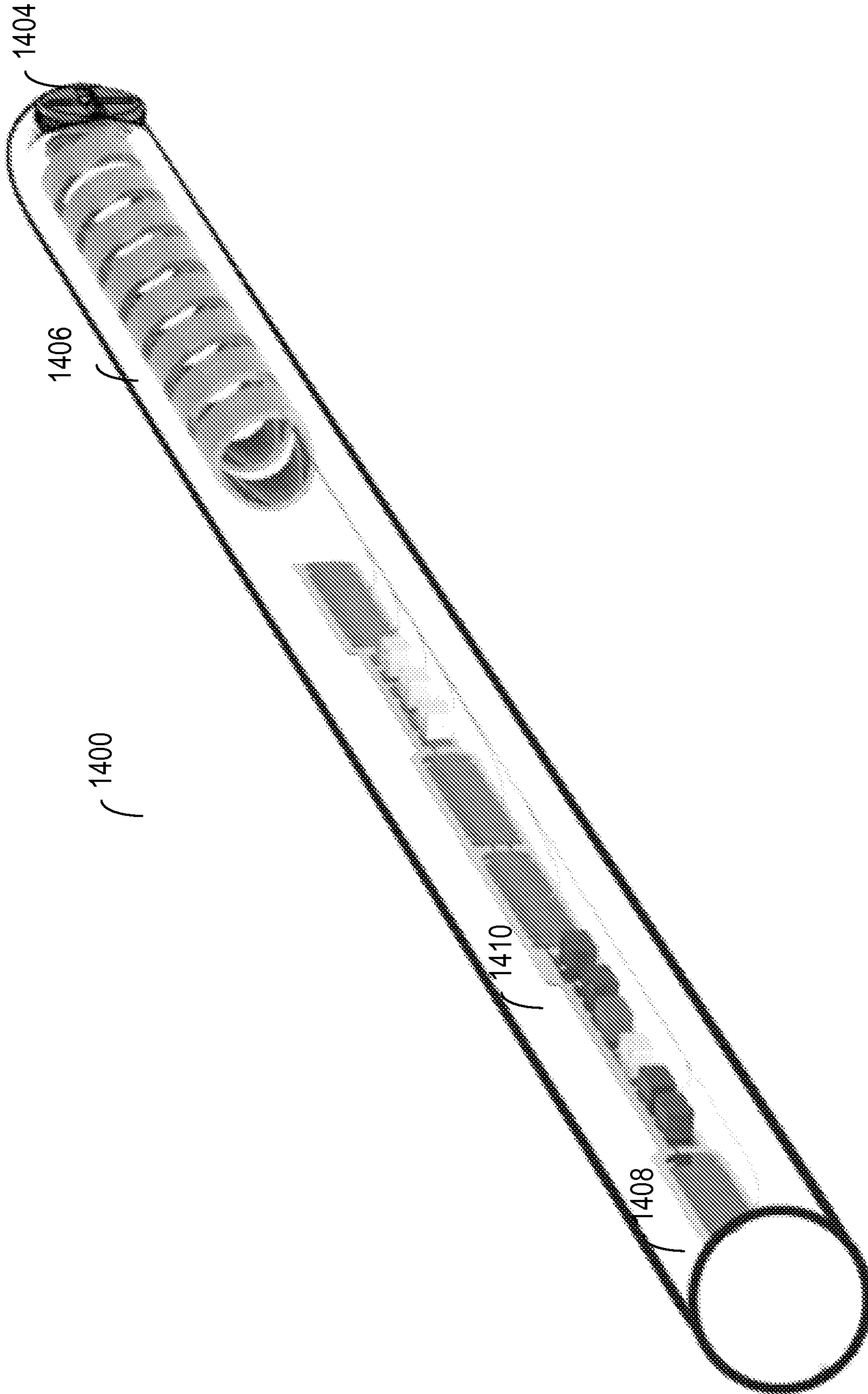


FIG. 14D

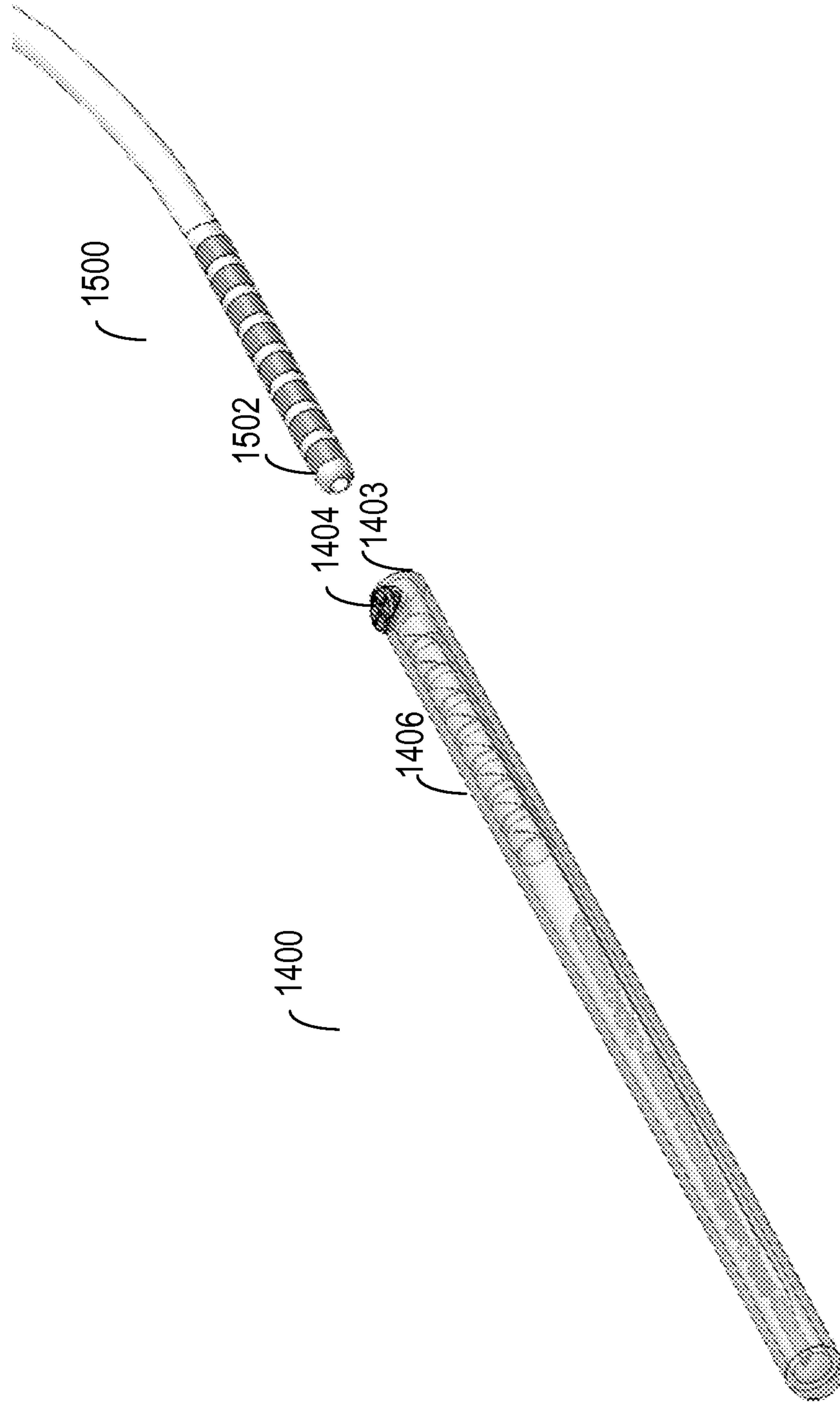


FIG. 15

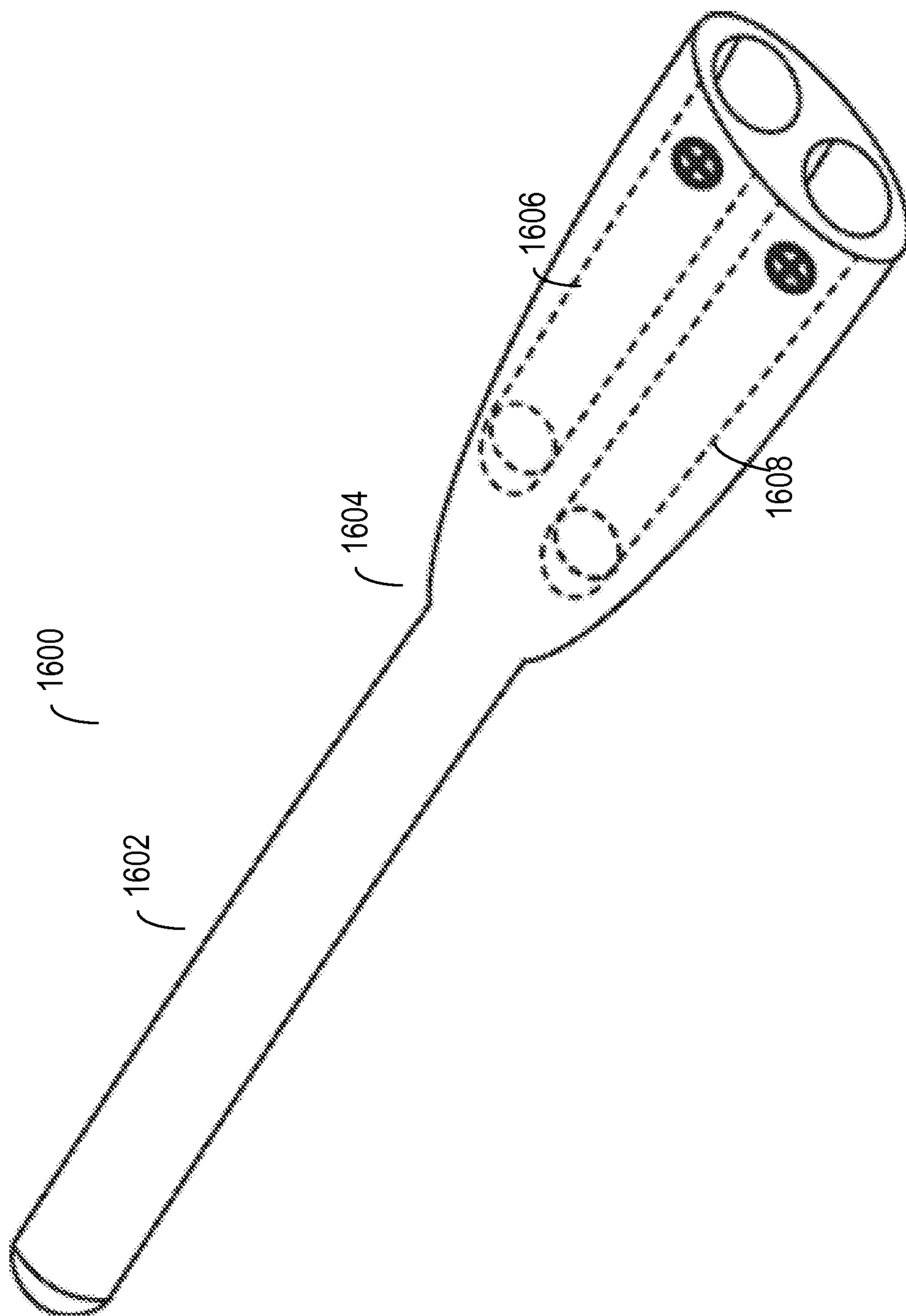


FIG. 16

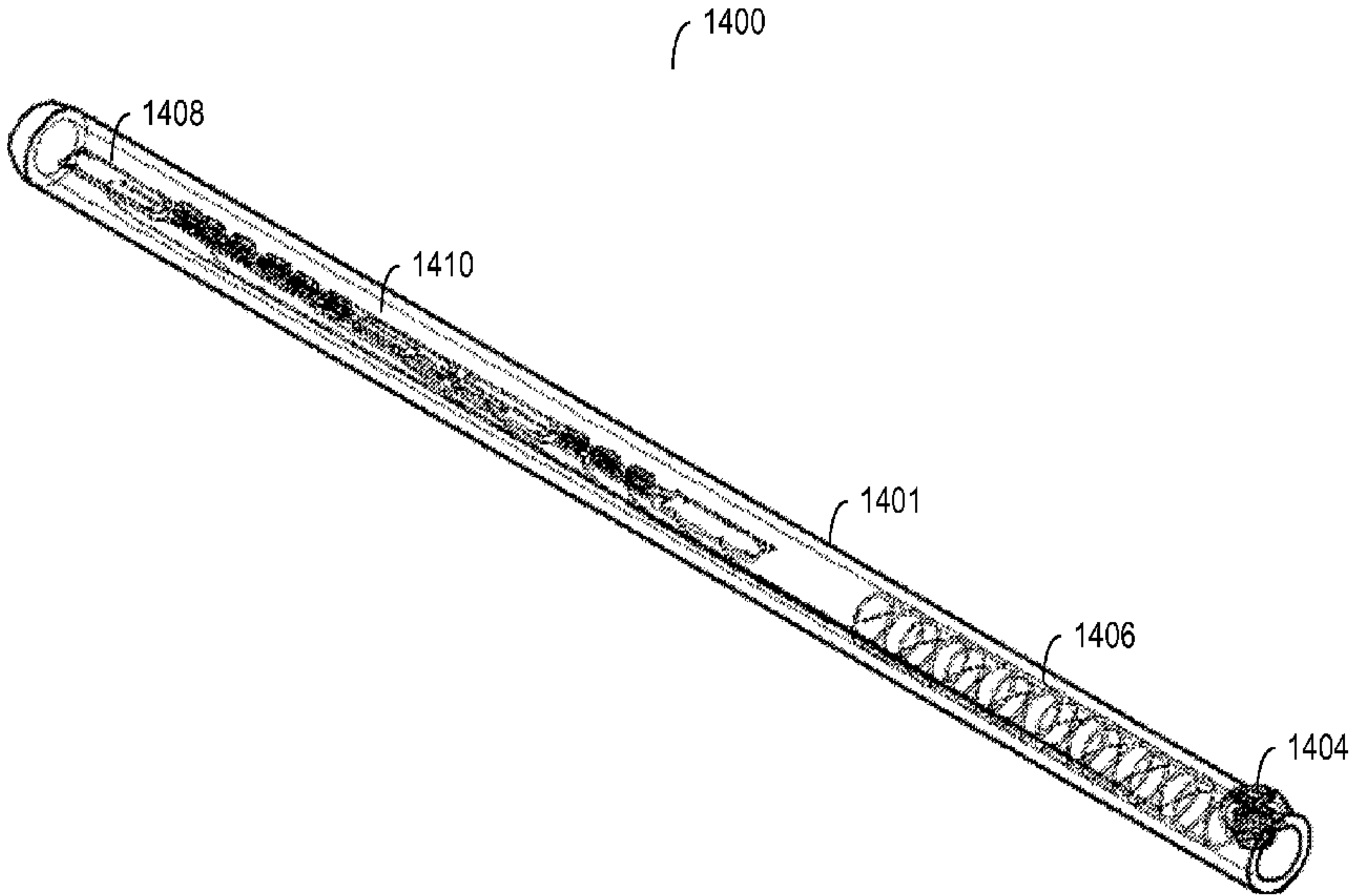


FIG. 14B