



US00D805211S

(12) **United States Design Patent**
Wu

(10) **Patent No.:** **US D805,211 S**

(45) **Date of Patent:** **** Dec. 12, 2017**

(54) **MESSAGE TOOL**

(71) Applicant: **Azuni International Co., Ltd.**,
Taichung (TW)

(72) Inventor: **Li-Lan Wu**, Taichung (TW)

(73) Assignee: **Azuni International Co., Ltd.**,
Taichung (TW)

(**) Term: **15 Years**

(21) Appl. No.: **29/540,442**

(22) Filed: **Sep. 24, 2015**

(51) **LOC (10) Cl.** **28-03**

(52) **U.S. Cl.**
USPC **D24/214**

(58) **Field of Classification Search**
USPC D24/200, 211, 212, 213, 214, 215;
601/19, 27-32, 46-48, 52, 99, 112-113,
601/118, 135, 137, DIG. 12, DIG. 14,
601/DIG. 15, DIG. 16, DIG. 17;
D30/160; D14/218, 138 AA
CPC A61H 19/00; A61H 19/30; A61H 19/32;
A61H 19/34; A61H 19/40; A61H 19/44;
A61H 19/50; A61H 2015/0007; A61H
2015/0014; A61H 2015/0042; A61H
15/00; A61H 7/003; A61H 7/005
See application file for complete search history.

(56) **References Cited**

U.S. PATENT DOCUMENTS

D185,246 S * 5/1959 Taran 601/119
D279,126 S * 6/1985 Kaeser D24/211
D376,853 S * 12/1996 Hsia D24/214
5,766,210 A * 6/1998 Komoroczy A61H 15/0092
601/107

D430,890 S * 9/2000 Cohen D17/22
D445,196 S * 7/2001 Gladieux, III D24/211
D445,508 S * 7/2001 Gladieux, III D24/211
6,306,109 B1 * 10/2001 Polychronis A61H 15/0092
601/128
D459,749 S * 7/2002 Cohen D17/22
D463,482 S * 9/2002 Cohen D17/22
6,860,861 B2 * 3/2005 Polychronis A61H 15/0085
601/113
D662,601 S * 6/2012 Matsushita D24/215
D669,590 S * 10/2012 Matsushita D24/211

* cited by examiner

Primary Examiner — Sandra Snapp

(74) *Attorney, Agent, or Firm* — Muncy, Geissler, Olds & Lowe, P.C.

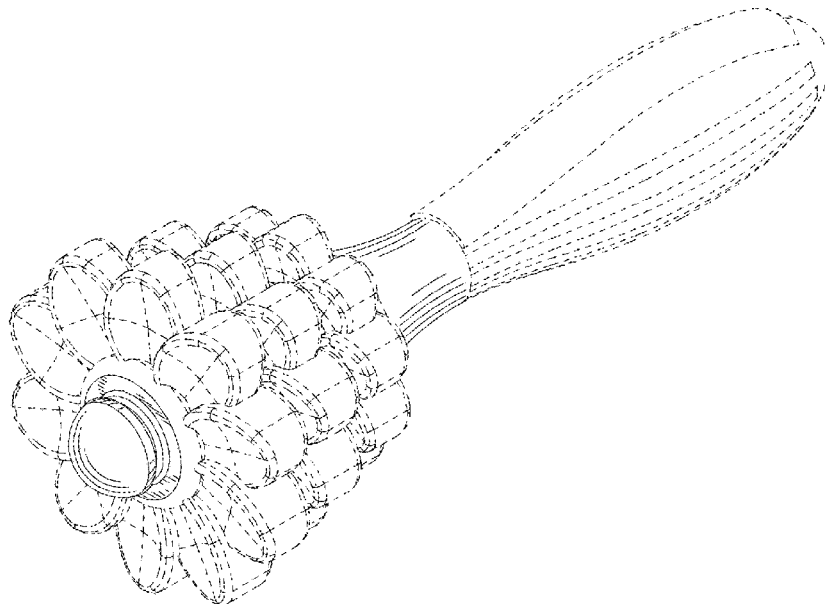
(57) **CLAIM**

I claim the ornamental design for a massage tool, as shown and described.

DESCRIPTION

FIG. 1 is a perspective view of a massage tool showing my new design;
FIG. 2 is a front elevational view thereof;
FIG. 3 is a left side view thereof;
FIG. 4 is a right side view thereof;
FIG. 5 is a top plan view thereof;
FIG. 6 is a bottom plan view thereof; and,
FIG. 7 is an exploded perspective view of the massage tool. The rear view is not shown and forms no part of the claimed design.
The broken lines in the drawings illustrate portions of the massage tool which form no part of the claimed design. The dot-dashed line in FIGS. 1, 3, 4, 5, 6 and 7 defines the boundary of claimed and unclaimed objects, and the dot-dashed line forms no part of the claimed design.

1 Claim, 7 Drawing Sheets



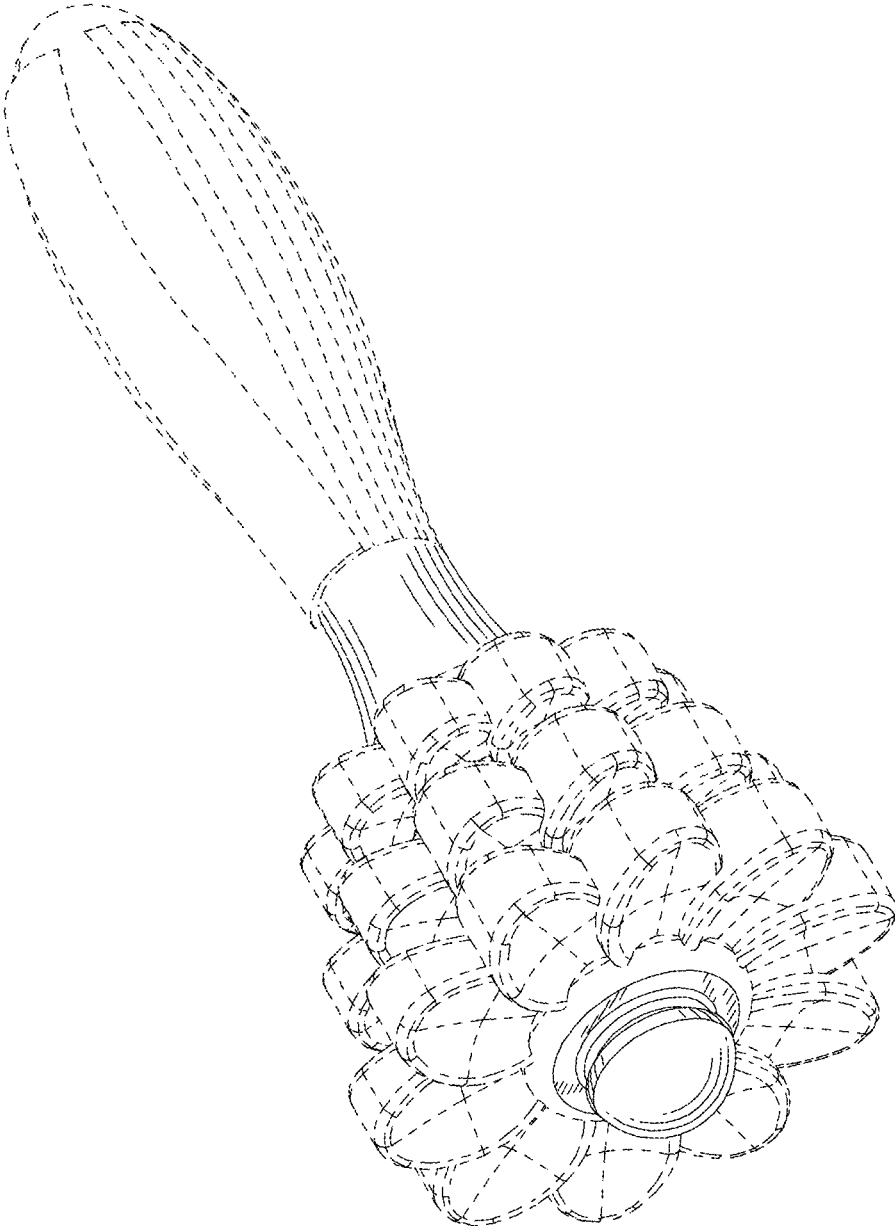


FIG. 1

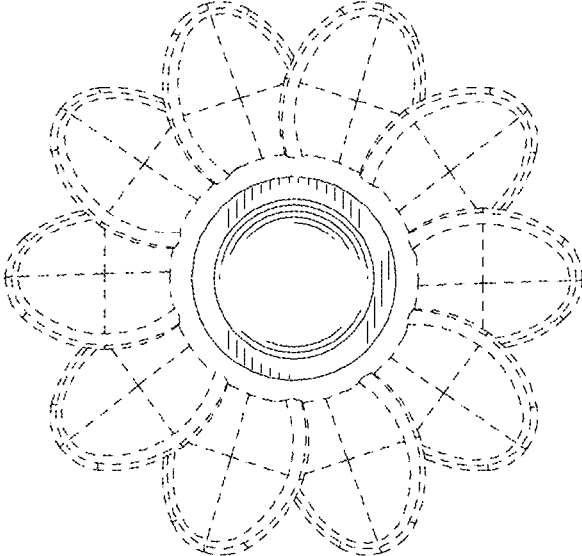


FIG. 2

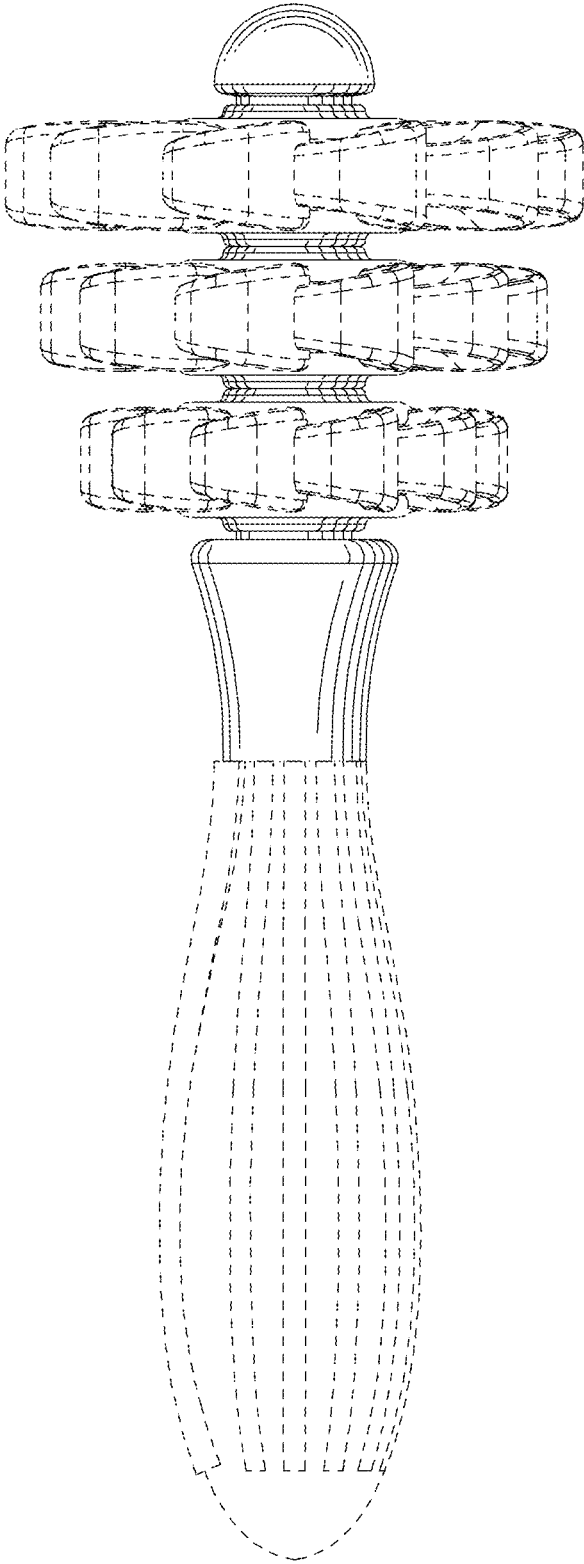


FIG. 3

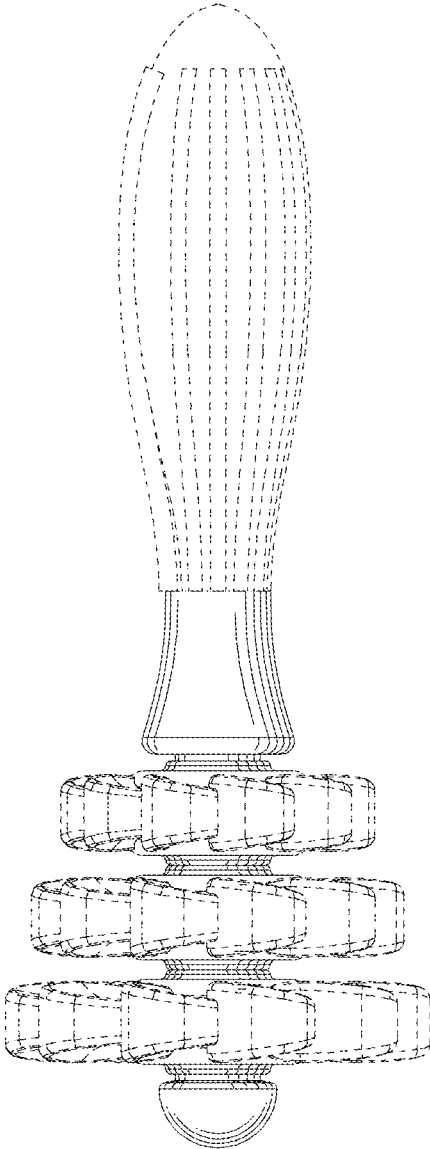


FIG. 4

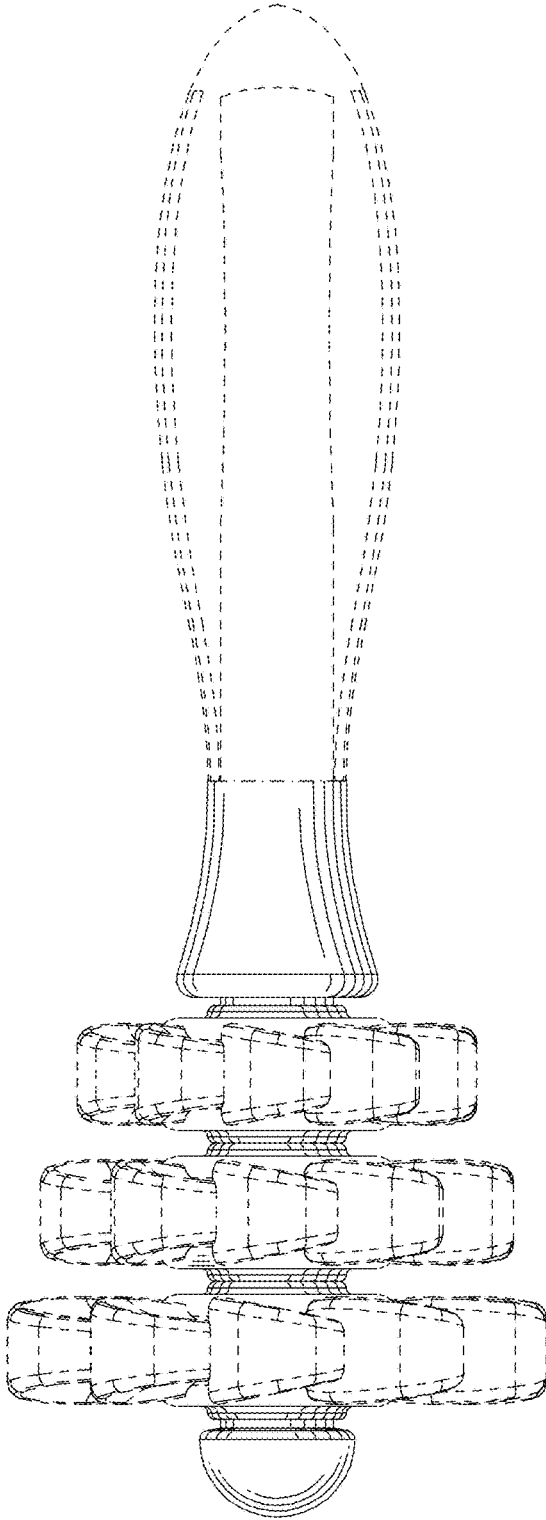


FIG. 5

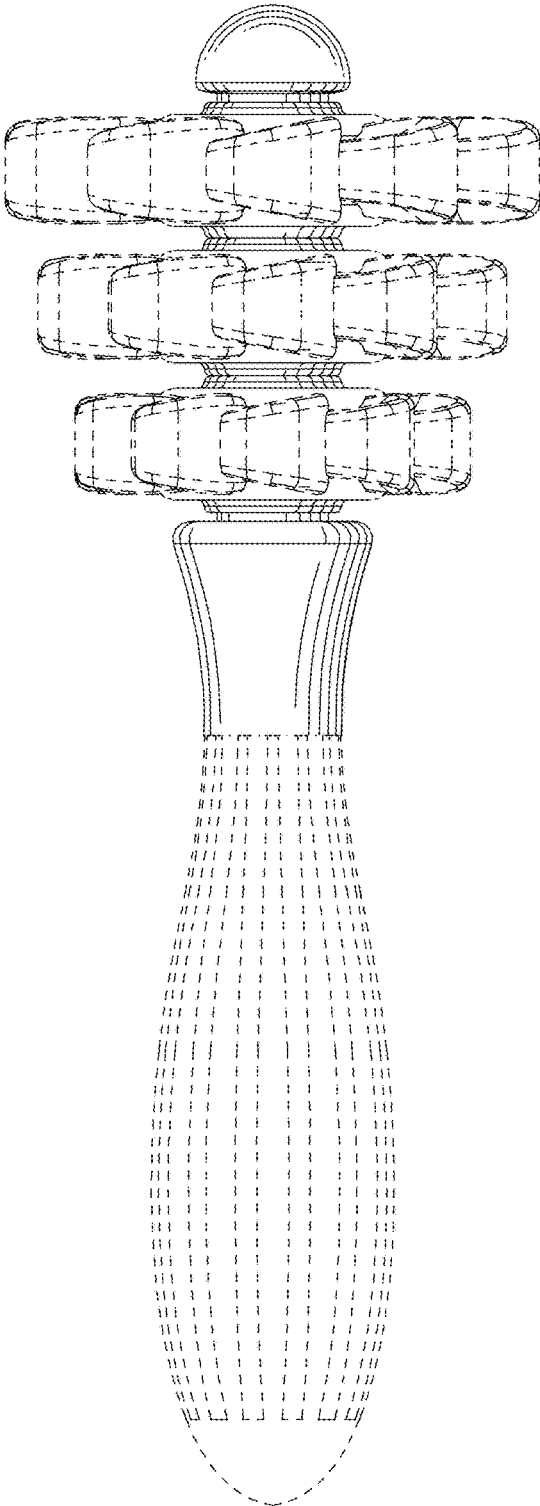


FIG. 6

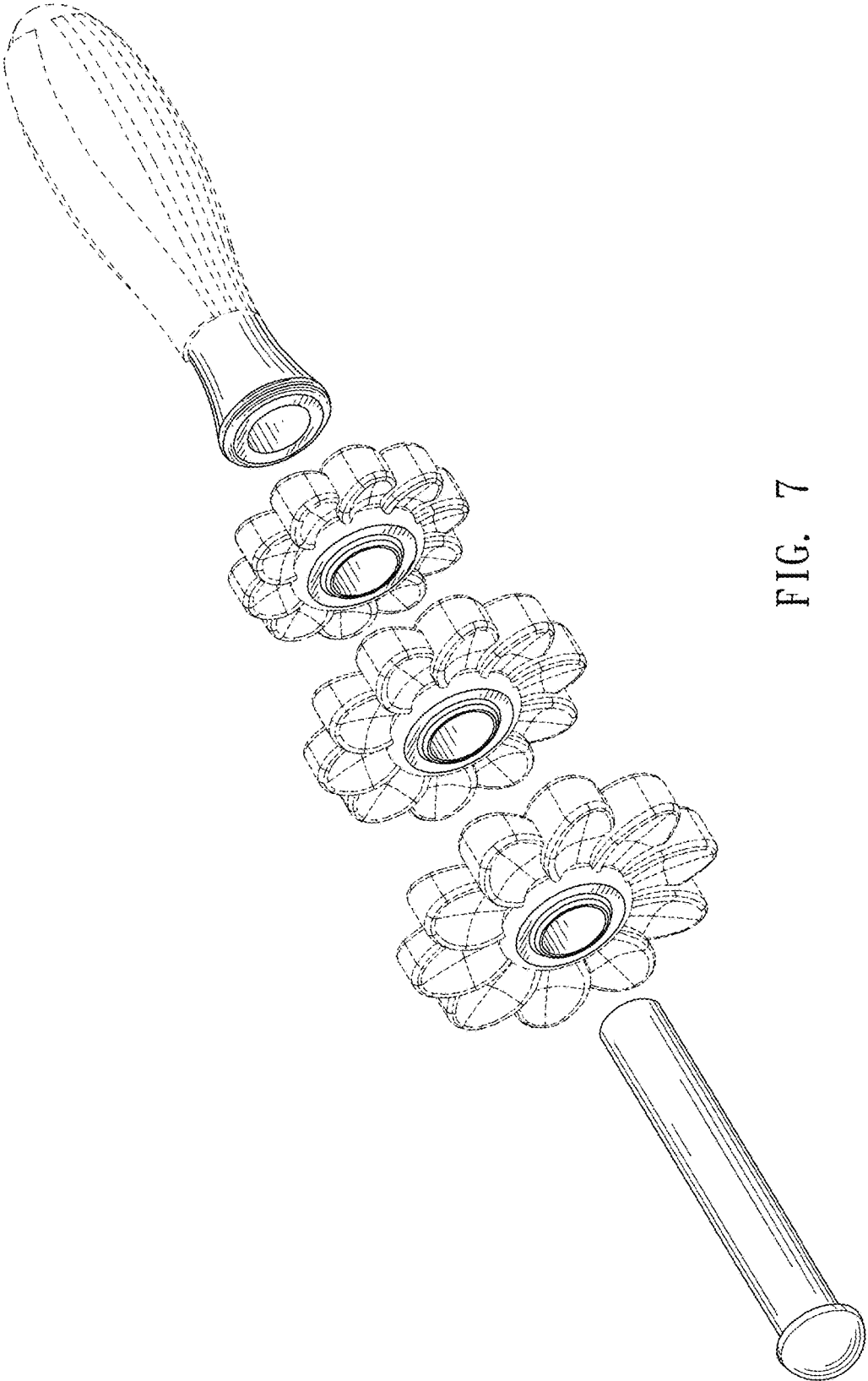


FIG. 7