



US00D973642S

(12) **United States Design Patent**
Wang et al.

(10) **Patent No.:** **US D973,642 S**
(45) **Date of Patent:** **** Dec. 27, 2022**

- (54) **MICROPHONE STAND**
- (71) Applicant: **Shenzhen Xingyingda Industry Co., Ltd.**, Shenzhen (CN)
- (72) Inventors: **Jun Wang**, Shenzhen (CN); **Yan Ke**, Shenzhen (CN)
- (73) Assignee: **Shenzhen Xingyingda Industry Co., Ltd.**, Shenzhen (CN)
- (**) Term: **15 Years**
- (21) Appl. No.: **29/845,853**
- (22) Filed: **Jul. 11, 2022**
- (51) **LOC (13) Cl.** **14-01**
- (52) **U.S. Cl.**
USPC **D14/229**
- (58) **Field of Classification Search**
USPC D14/229, 225, 452; D6/680.2; D8/396;
248/278.1, 276.1, 284.1; 362/414, 419;
D26/60, 61, 65, 145; 381/368
CPC .. E04G 3/00; H05K 7/00; F16M 13/02; A47F
5/00; F21V 21/22; F21V 21/26; H04R
11/04
See application file for complete search history.

3,543,019 A * 11/1970 Jacobsen F16M 11/10
362/413
D264,634 S * 5/1982 Okuno D26/65
D275,431 S * 9/1984 Usab D14/452
(Continued)

FOREIGN PATENT DOCUMENTS

EM 009144504-0002 * 8/2022
KR 301161634.0000 * 4/2022

Primary Examiner — Paula Allen Greene
(74) *Attorney, Agent, or Firm* — Westbridge IP LLC

(57) **CLAIM**

The ornamental design for a microphone stand, as shown and described.

DESCRIPTION

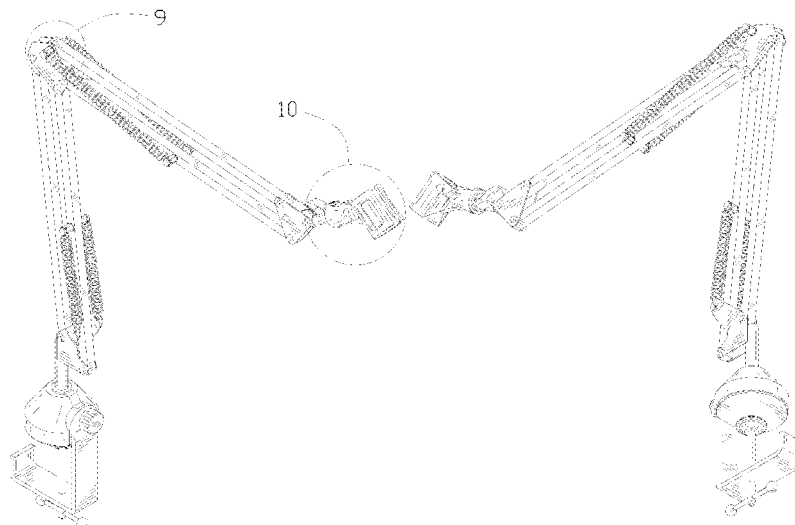
FIG. 1 is a top perspective view of a microphone stand showing our new design;
FIG. 2 is a bottom perspective view thereof;
FIG. 3 is a front elevation view thereof;
FIG. 4 is a rear elevation view thereof;
FIG. 5 is a left side elevation view thereof;
FIG. 6 is a right side elevation view thereof;
FIG. 7 is a top plan view thereof;
FIG. 8 is a bottom plan view thereof;
FIG. 9 is a partial enlarged view taken from circle 9 in FIG. 1;
FIG. 10 is a partial enlarged view taken from circle 10 in FIG. 1; and,
FIG. 11 is a partial enlarged view taken from circle 11 in FIG. 7.
The dot dash broken lines encircling portions of the microphone stand in FIGS. 1 and 7 and illustrated in enlarged views of FIGS. 9, 10, and 11 form no part of the claimed design.
The dot-dash broken lines in the drawings are included for the purpose of depicting the partial enlarged views.

1 Claim, 11 Drawing Sheets

(56) **References Cited**

U.S. PATENT DOCUMENTS

- 1,255,185 A * 2/1918 Lehmkühl F16M 13/02
248/282.1
- 1,845,931 A * 2/1932 Pace E04F 10/0637
248/278.1
- D135,479 S * 4/1943 Hopkins D26/65
- 2,466,722 A * 4/1949 May F21V 21/26
248/278.1
- 2,605,069 A * 7/1952 Gillaspay A61J 9/0638
248/278.1
- 3,041,060 A * 6/1962 Jacobsen F16M 11/10
267/173
- 3,417,953 A * 12/1968 Hillquist F16M 11/2092
248/586



(56)

References Cited

U.S. PATENT DOCUMENTS

4,545,555	A *	10/1985	Koch	F16M 11/10	248/280.11	7,510,155	B2 *	3/2009	Huang	F16M 11/2014	248/278.1
4,852,842	A *	8/1989	O'Neill	F16M 11/2092	29/525.02	D618,222	S *	6/2010	Kallas	D14/229	
4,953,822	A *	9/1990	Sharber	F16M 11/24	248/281.11	7,726,616	B2 *	6/2010	Zhang	F16M 11/2021	248/920
D312,771	S *	12/1990	Pelletier	D8/373		7,810,773	B2 *	10/2010	Chi	F16M 11/24	248/920
5,154,381	A *	10/1992	Malinao	H04R 1/08	403/299	D631,052	S *	1/2011	Hung	D14/452	
5,170,975	A *	12/1992	Chadwick	F16M 11/2064	403/53	8,070,114	B2 *	12/2011	Chen	F16M 11/2021	248/278.1
5,275,364	A *	1/1994	Burger	F16L 3/00	396/428	D660,690	S *	5/2012	Mixides	D8/396	
5,339,233	A *	8/1994	Yang	F16M 11/10	362/426	D675,905	S *	2/2013	Bowman	D8/363	
D378,859	S *	4/1997	Yumita	D26/65		D687,421	S	8/2013	Slaton		
D379,544	S *	5/1997	Yumita	D26/65		D712,945	S *	9/2014	Brucksch	D16/132	
D394,913	S *	6/1998	Chan	D26/65		D732,009	S *	6/2015	Bak	D8/396	
5,799,917	A *	9/1998	Li	F16M 13/022	248/921	D743,951	S	11/2015	Slaton		
D435,852	S *	1/2001	Oddsen, Jr.	D14/452		D746,353	S *	12/2015	Woodman	D16/242	
6,349,905	B1 *	2/2002	Mills	F16M 11/28	248/278.1	D774,022	S	12/2016	Huang		
6,394,403	B1 *	5/2002	Hung	F16M 13/022	248/278.1	9,709,217	B2 *	7/2017	Trinh	F16M 11/105	
6,478,275	B1 *	11/2002	Huang	G09F 3/00	248/278.1	D805,085	S *	12/2017	Xiang	D14/452	
D471,665	S *	3/2003	Huang	D26/145		D807,373	S *	1/2018	Thetard	D14/452	
6,592,090	B1 *	7/2003	Li	F16M 13/000	248/921	D822,641	S	7/2018	Belitz		
D494,183	S *	8/2004	Wills	D14/452		D822,671	S *	7/2018	Chu	D14/452	
D495,240	S *	8/2004	Mnich	D8/355		10,024,484	B2 *	7/2018	Brown	F16M 11/041	
6,769,657	B1 *	8/2004	Huang	F16M 13/022	248/278.1	D834,568	S *	11/2018	Pooley	D14/229	
6,896,230	B2 *	5/2005	Cvek	F16M 11/10	248/276.1	D848,444	S *	5/2019	Jung	D14/452	
D506,385	S *	6/2005	Brown	D8/394		D866,534	S	11/2019	Horton		
D508,917	S *	8/2005	Wills	D14/452		D866,535	S	11/2019	Horton		
D519,990	S *	5/2006	Lazor	D14/229		D877,744	S *	3/2020	Xiang	D14/452	
D537,323	S *	2/2007	Saez	D14/452		D878,118	S *	3/2020	Renwick	D6/680.2	
7,188,812	B2 *	3/2007	Wang	F16M 11/2064	248/922	D881,853	S *	4/2020	Horton	D14/229	
7,207,537	B2 *	4/2007	Hung	F16M 13/02	248/920	D895,584	S	9/2020	Sano		
D563,396	S *	3/2008	Probst	D14/228		D916,709	S *	4/2021	Hung	D14/452	
D570,853	S *	6/2008	Derry	D14/452		D929,974	S	9/2021	Suzuki		
D577,731	S *	9/2008	Altonji	D14/452		11,118,729	B2 *	9/2021	Zebarjad	F16M 13/022	
							D936,070	S *	11/2021	You	D14/452	
							D939,516	S *	12/2021	You	D14/452	
							D941,300	S *	1/2022	Huang	D14/452	
							D952,613	S	5/2022	Wu		
							D962,903	S *	9/2022	You	D14/229	
							2003/0075658	A1 *	4/2003	Beissel, Jr.	F16M 13/000	248/284.1
							2013/0161465	A1 *	6/2013	Huang	F16M 11/08	248/278.1
							2013/0299658	A1 *	11/2013	Hung	F16M 11/2014	248/276.1
							2014/0367137	A1 *	12/2014	Leung	H02G 1/00	174/68.3
							2022/0126016	A1 *	4/2022	Cox	F16M 13/02	2022/0136647
							2022/0136647	A1 *	5/2022	Vlaar	F16M 13/022	248/284.1

* cited by examiner

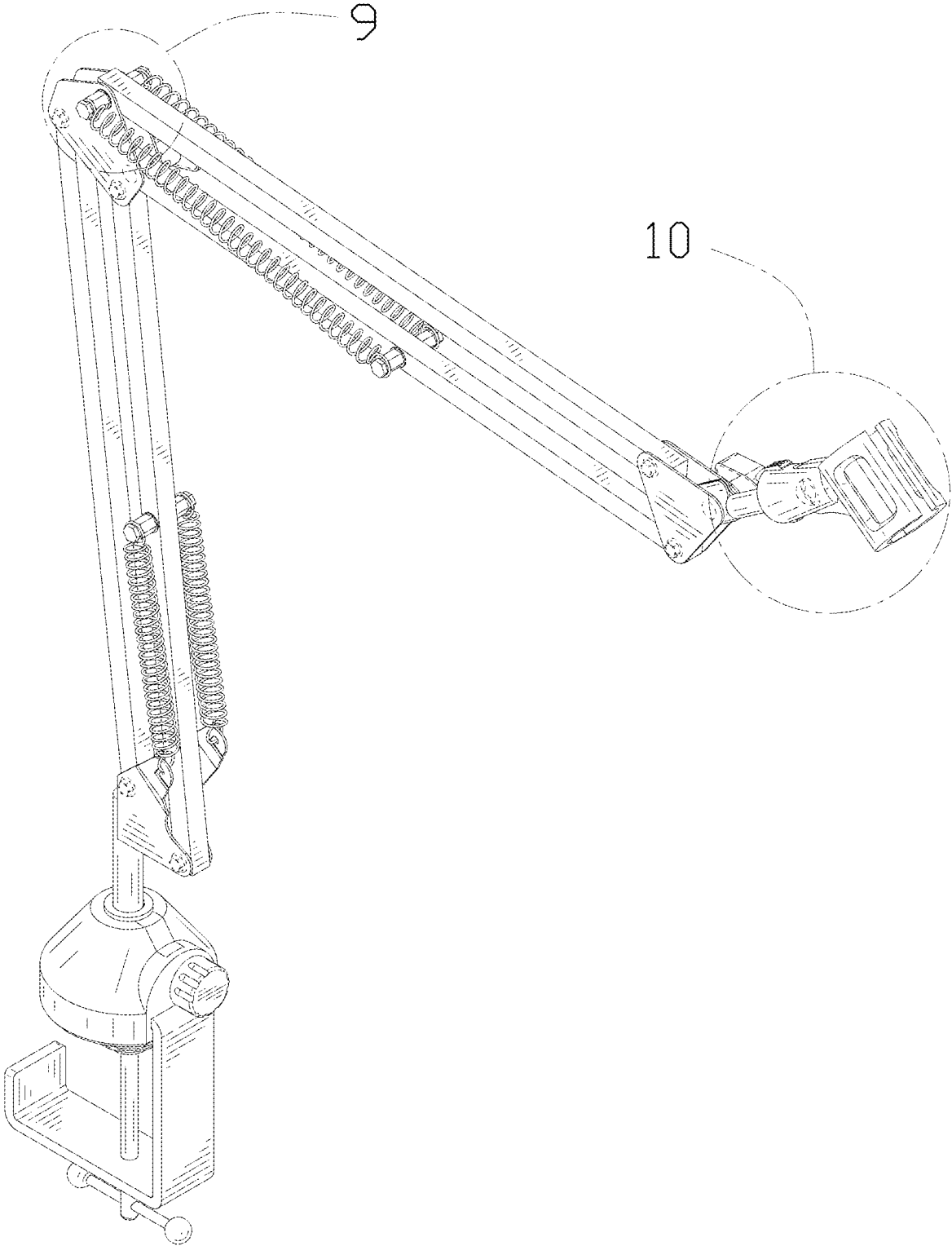


FIG. 1

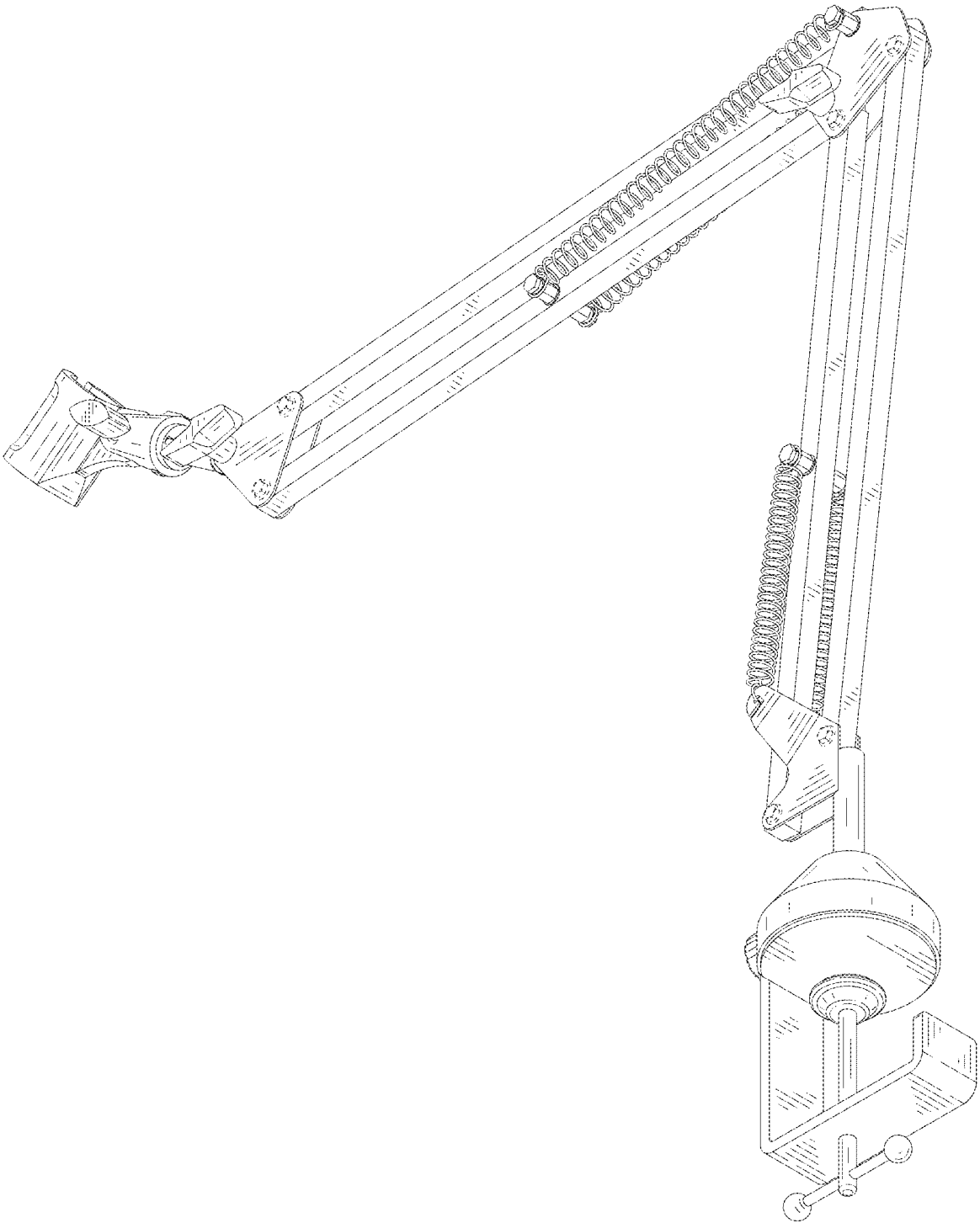


FIG. 2

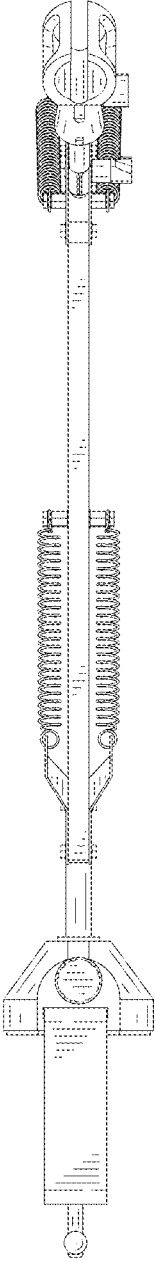


FIG. 3

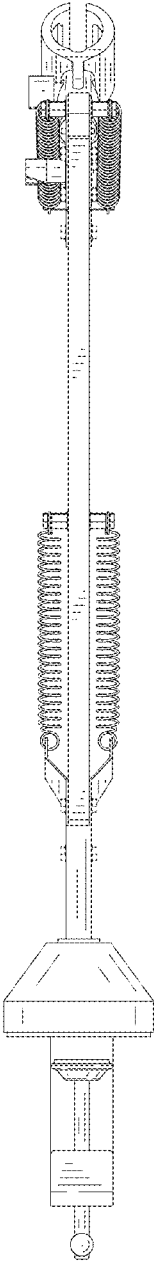


FIG. 4

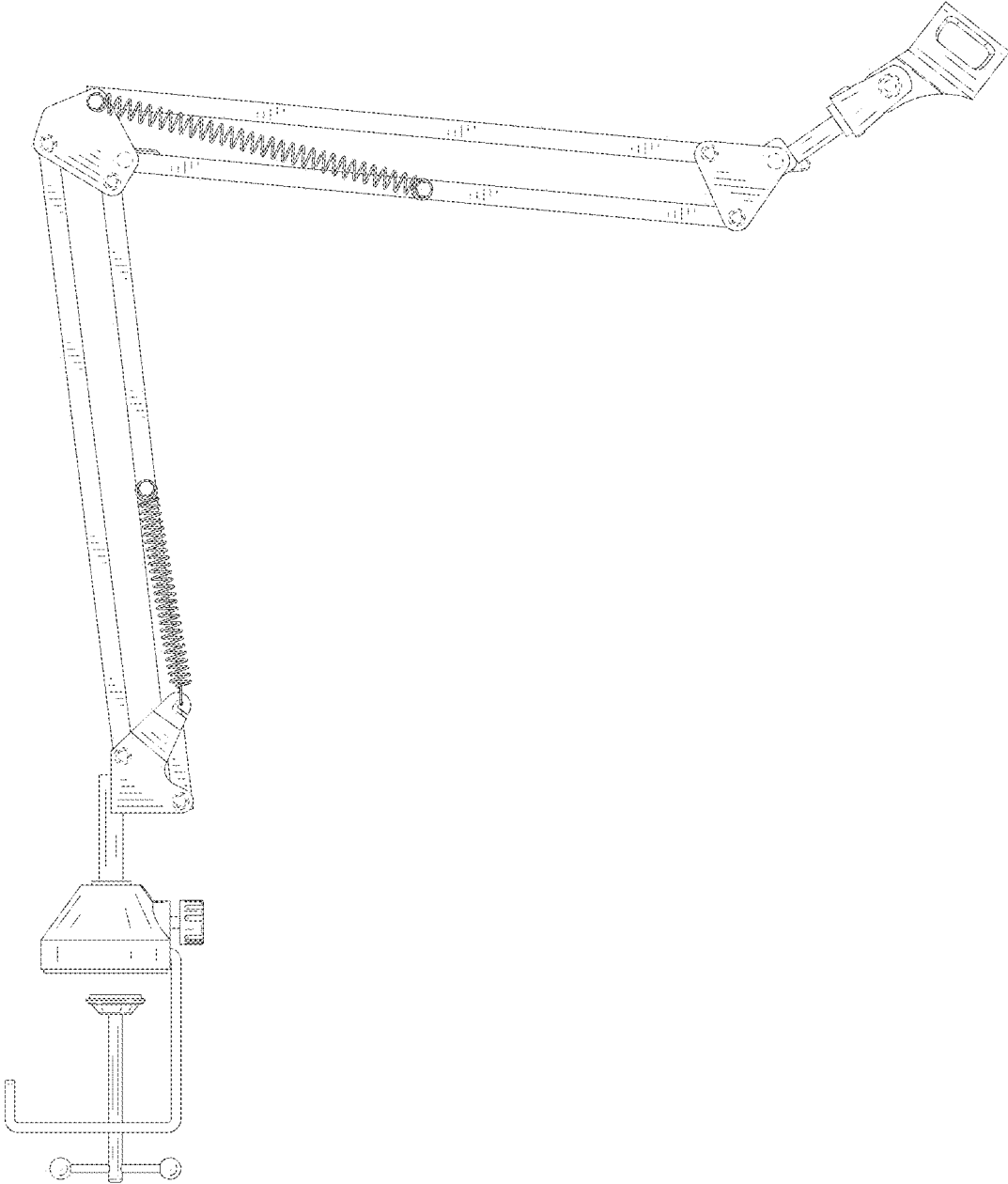


FIG. 5

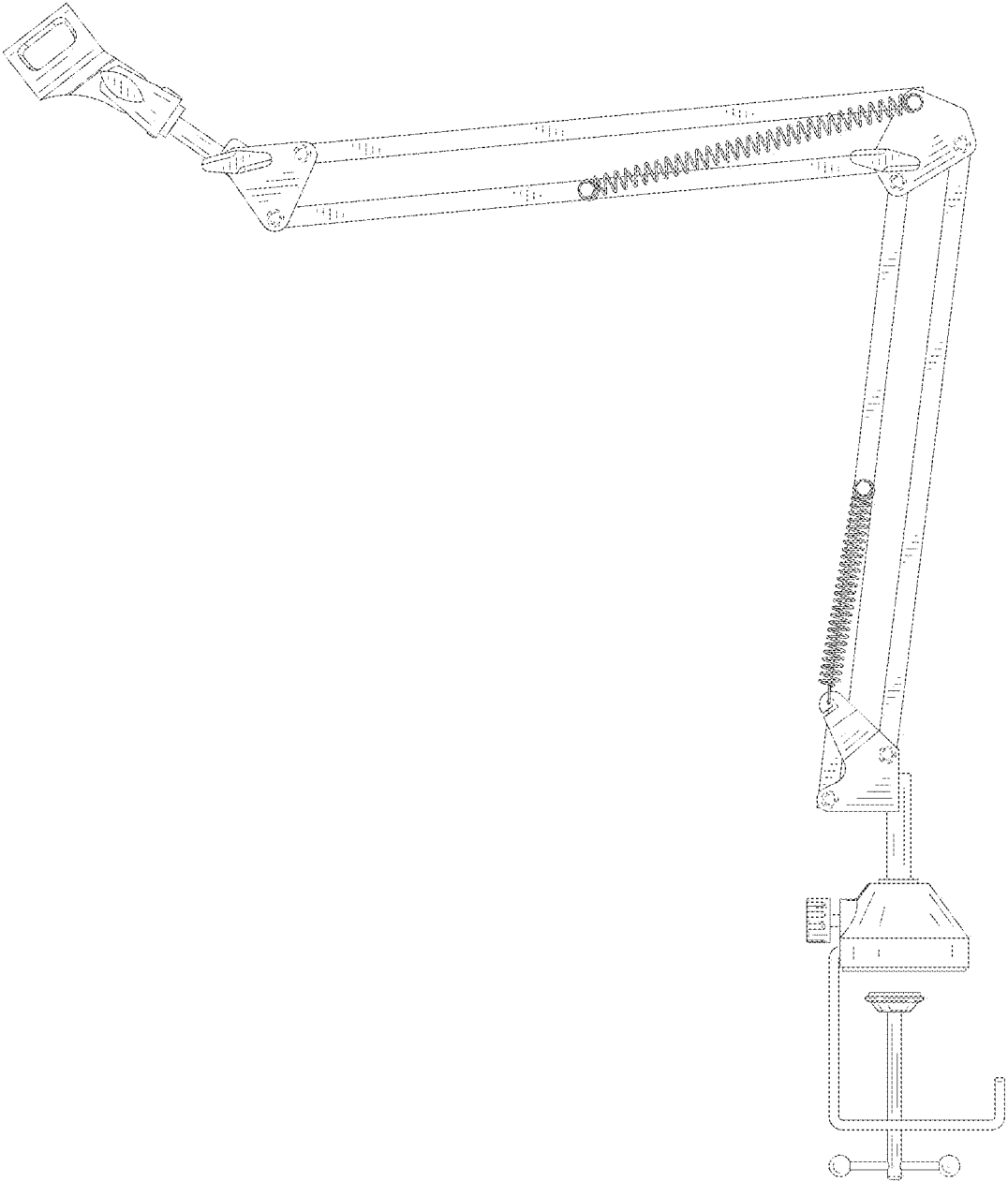


FIG. 6

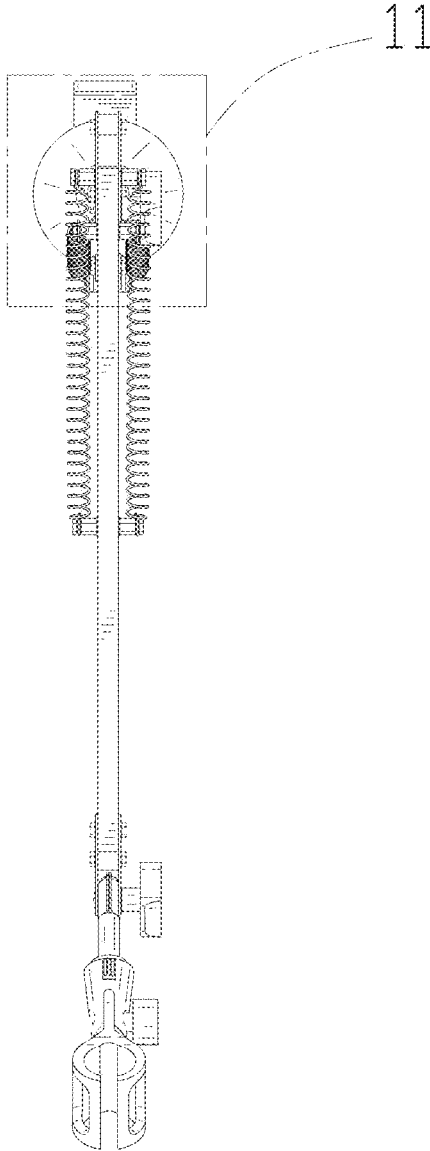


FIG. 7

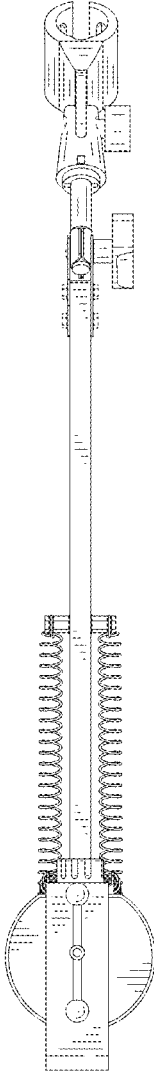


FIG. 8

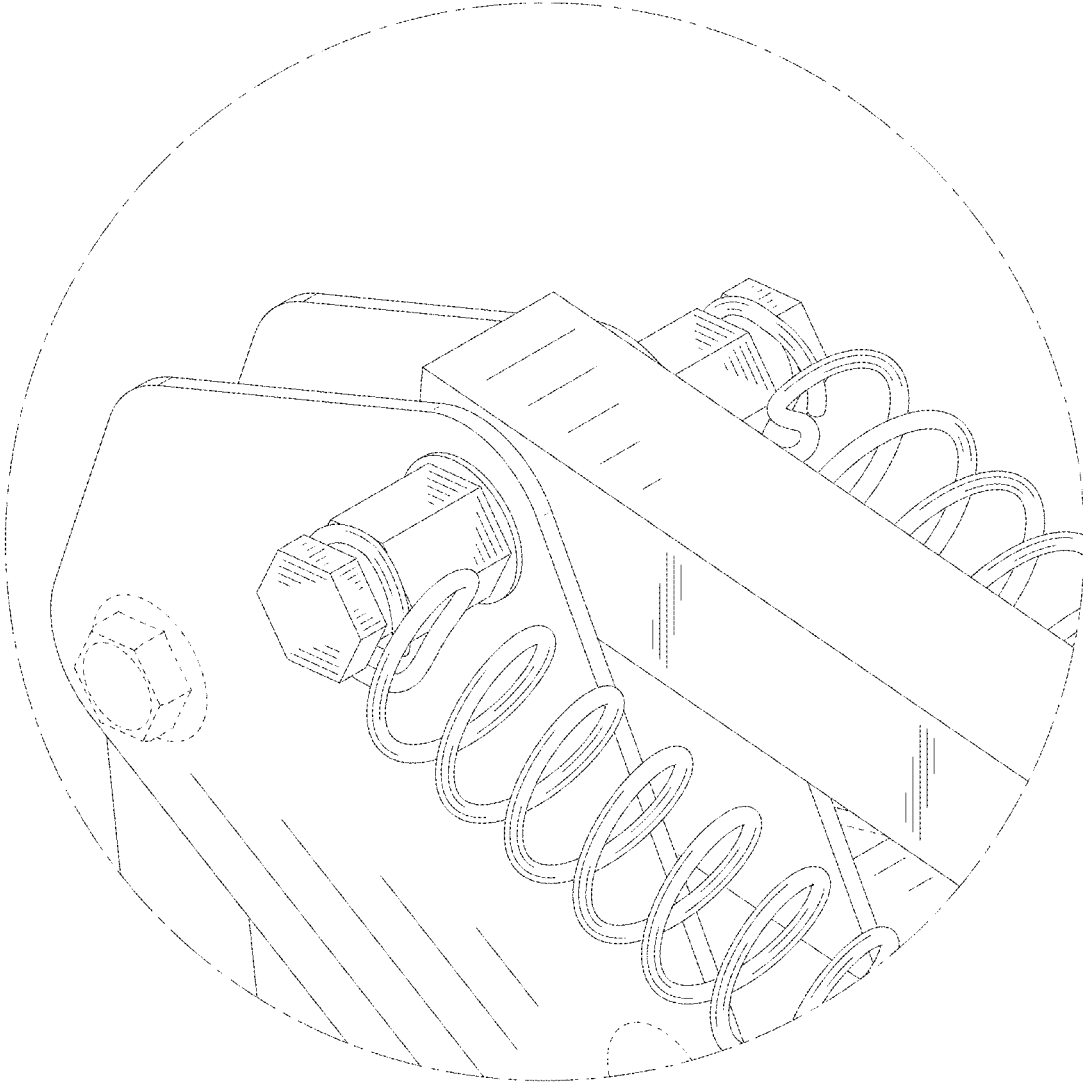


FIG. 9

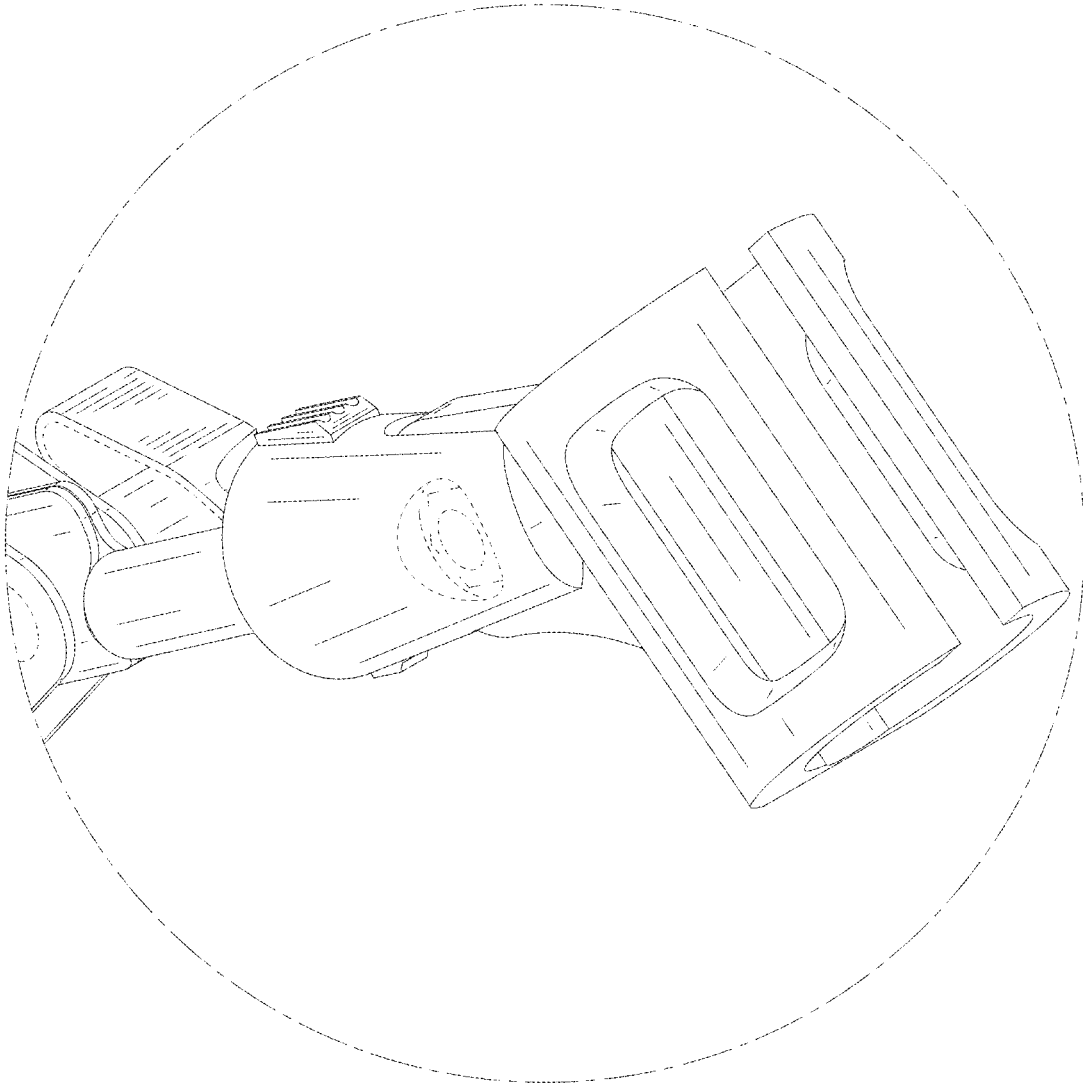


FIG. 10

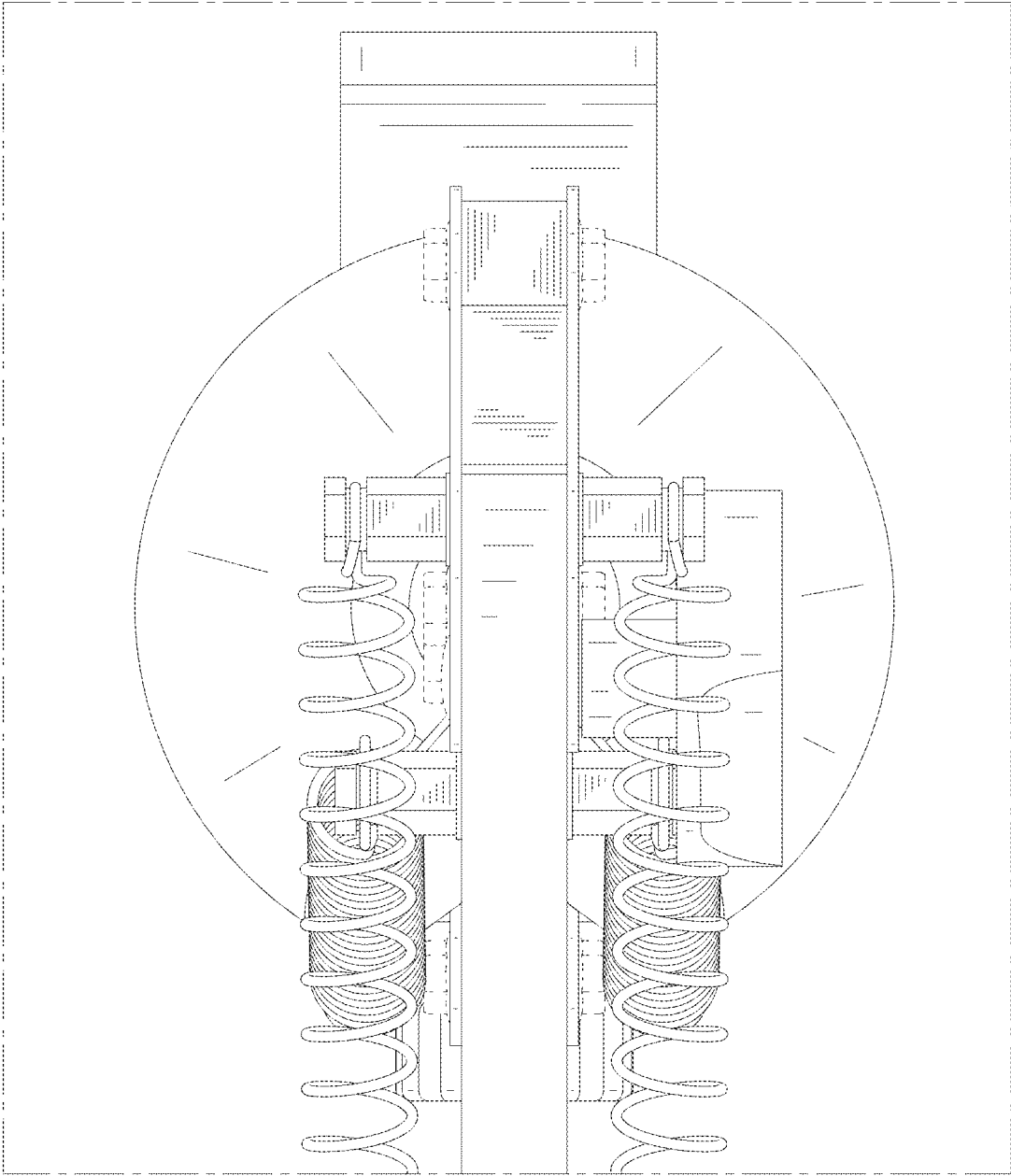


FIG. 11