



US00D851916S

(12) **United States Design Patent**
Andersson et al.

(10) **Patent No.:** **US D851,916 S**

(45) **Date of Patent:** **** Jun. 25, 2019**

- (54) **BABY CARRIER**
- (71) Applicant: **BabyBjörn AB**, Solna (SE)
- (72) Inventors: **Henrik Andersson**, Reftele (SE); **Jonas Dolk**, Dalarö (SE); **Mårten Andrén**, Spånga (SE); **Ulrika Vejbrink**, Hägersten (SE); **David Karpathakis Thalén**, Bromma (SE); **Lisen Elmberg**, Stockholm (SE)
- (73) Assignee: **BabyBjörn AB**, Solna (SE)
- (**) Term: **15 Years**
- (21) Appl. No.: **29/648,490**
- (22) Filed: **May 22, 2018**

D623,402 S *	9/2010	Bergkvist	D3/213
D642,375 S *	8/2011	Zack	D3/214
D649,345 S *	11/2011	Bergkvist	D3/214
D655,494 S *	3/2012	Murray	D3/213
D655,495 S *	3/2012	Sauer	D3/214
8,172,116 B1 *	5/2012	Lehan	A45F 3/04 224/160
D664,351 S *	7/2012	Bergkvist	D3/214
D692,227 S *	10/2013	Andren	D3/213
8,579,168 B2 *	11/2013	Zack	A47D 13/025 2/49.1
8,701,949 B1 *	4/2014	Lehan	A45F 3/047 224/160
D712,134 S *	9/2014	Gunter	D3/214
D714,045 S *	9/2014	Stave	D3/213
D733,419 S *	7/2015	Wikner	D3/214
9,185,993 B2 *	11/2015	Telford	A47D 13/025
D745,263 S *	12/2015	Tagle	D3/213
D748,907 S *	2/2016	Figler	D3/213
D753,385 S *	4/2016	Stave	D3/213

(Continued)

(30) **Foreign Application Priority Data**

Dec. 14, 2017 (EM) 004546992-0001

(51) **LOC (11) Cl.** **03-01**

(52) **U.S. Cl.**
USPC **D3/214**

(58) **Field of Classification Search**
USPC D3/213, 214, 215, 216
CPC A47D 13/00; A47D 13/02; A47D 13/025;
A47D 15/00

See application file for complete search history.

(56) **References Cited**

U.S. PATENT DOCUMENTS

5,678,739 A *	10/1997	Darling	A47D 13/025 224/158
D409,373 S *	5/1999	Fair	D3/213
D425,696 S *	5/2000	Swanke	D3/213
D507,102 S *	7/2005	Bergkvist	D3/213
D507,869 S *	8/2005	Liistro	D3/213
D611,699 S *	3/2010	Lundh	D3/213
D615,750 S *	5/2010	Jones	D3/213

Primary Examiner — John Windmuller

Assistant Examiner — Steven J Czyz

(74) *Attorney, Agent, or Firm* — Studebaker & Brackett
PC

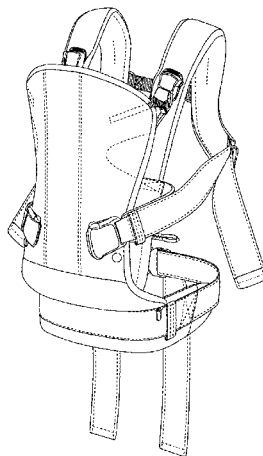
(57) **CLAIM**

The ornamental design for a baby carrier, as shown and described.

DESCRIPTION

FIG. 1 is a front perspective view showing our new design for a baby carrier,
FIG. 2 is a front view thereof,
FIG. 3 is a rear view thereof,
FIG. 4 is a left side view thereof,
FIG. 5 is a right side view thereof,
FIG. 6 is a top view thereof; and,
FIG. 7 is a bottom view thereof.
The dotted lines in the figures represent stitching and form part of the claimed design.

1 Claim, 7 Drawing Sheets



(56)

References Cited

U.S. PATENT DOCUMENTS

D770,166 S *	11/2016	Figler	D3/213	2010/0200626 A1 *	8/2010	Moftakhar	A47D 13/025
D796,834 S *	9/2017	Pos	D3/213				224/160
D802,912 S *	11/2017	Brodin	D3/213	2011/0089205 A1 *	4/2011	Coote	A47D 13/025
D803,549 S *	11/2017	Warfaa	D3/214				224/160
D807,025 S *	1/2018	Elmberg	D3/214	2012/0061429 A1 *	3/2012	Sauer	A47D 13/025
D827,293 S *	9/2018	Banach	D3/214				224/160
D833,735 S *	11/2018	Hauser	D3/214	2012/0187162 A1 *	7/2012	Bergkvist	A47D 13/025
D835,902 S *	12/2018	Young	D3/214				224/160
D841,976 S *	3/2019	Tormans	D3/214	2014/0231472 A1 *	8/2014	Cha	A47D 13/025
2005/0051582 A1 *	3/2005	Frost	A47D 13/025				224/160
			224/160	2015/0196133 A1 *	7/2015	Rosen	A47D 13/025
2005/0184114 A1 *	8/2005	Hoff	A47D 13/025				224/160
			224/160	2015/0282639 A1 *	10/2015	Chuah	A47D 13/025
2008/0283560 A1 *	11/2008	Parness	A47D 13/025				224/160
			224/160	2016/0150893 A1 *	6/2016	Salazar	A47D 13/025
2009/0026235 A1 *	1/2009	Gray	A47D 13/025				224/160
			224/160	2016/0227940 A1 *	8/2016	Wikner	A47D 13/025
				2017/0196374 A1 *	7/2017	Chen	A47D 13/025
				2017/0238722 A1 *	8/2017	Flaunty	A47D 13/025
				2017/0332806 A1 *	11/2017	Liu	A47D 13/025

* cited by examiner

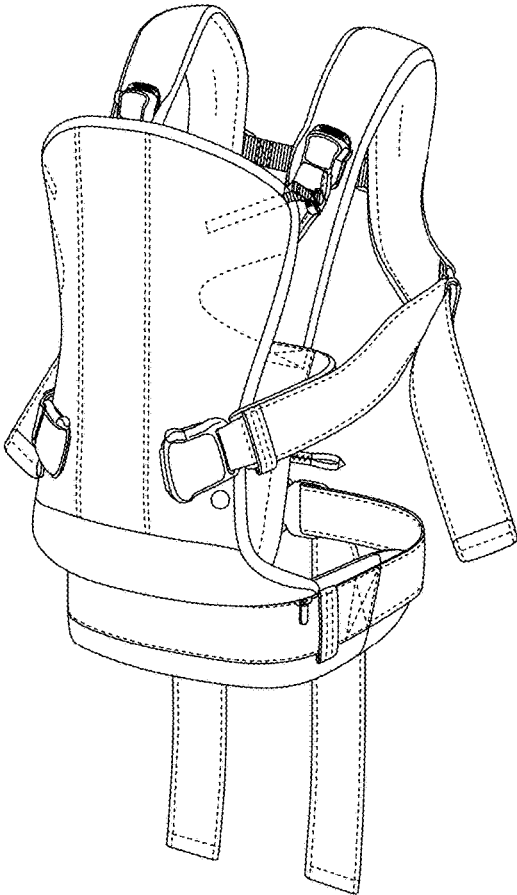


FIG. 1

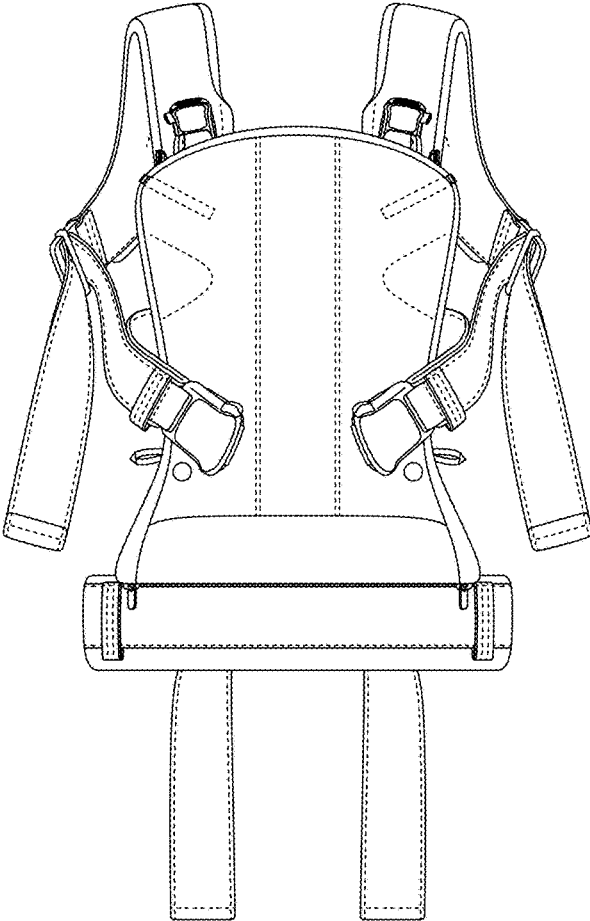


FIG. 2

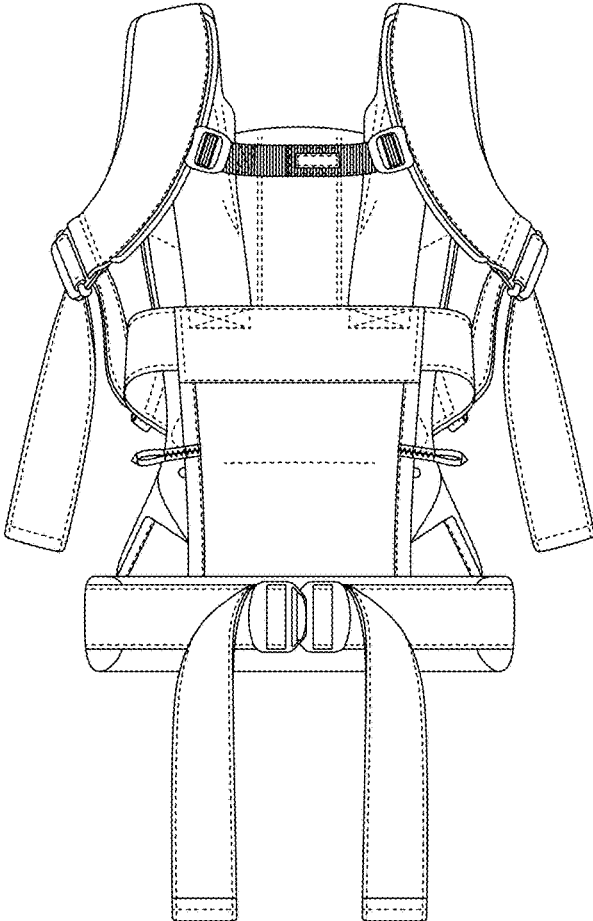


FIG. 3

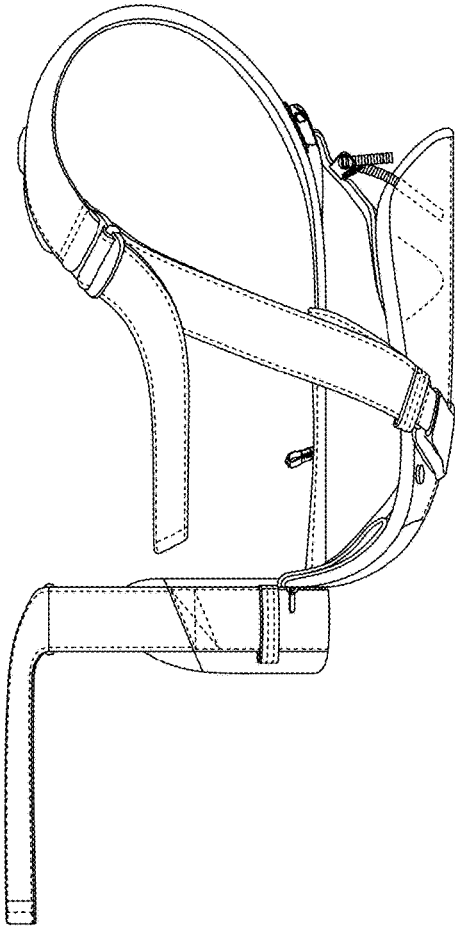


FIG. 4

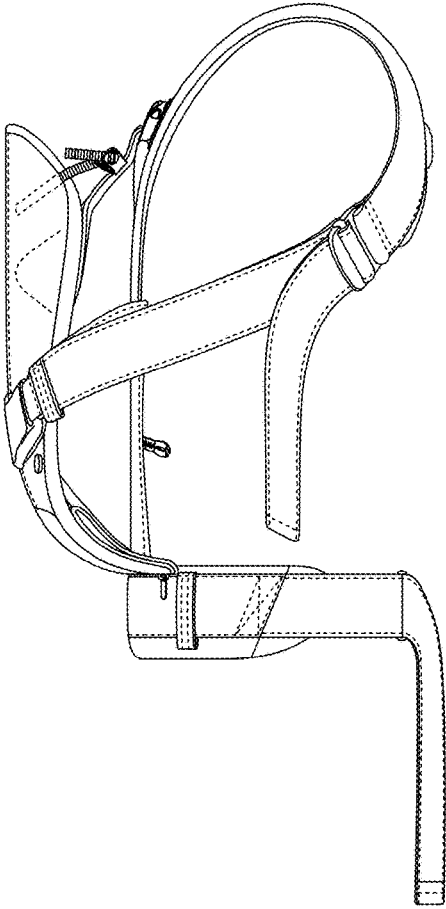


FIG. 5

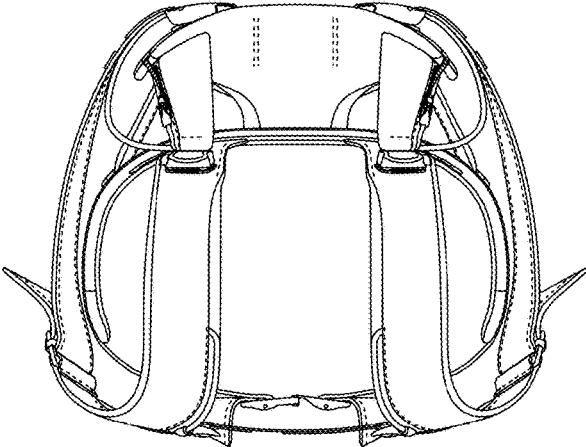


FIG. 6

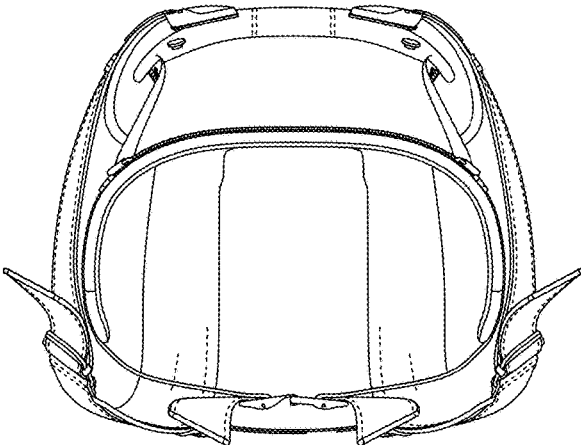


FIG. 7