



US00D824586S

(12) **United States Design Patent**  
**Fornarelli**

(10) **Patent No.:** **US D824,586 S**

(45) **Date of Patent:** **\*\* Jul. 31, 2018**

(54) **VAPOR TUBE**

(57) **CLAIM**

The ornamental design for a vapor tube, as shown and described.

(71) Applicant: **AVANZATO TECHNOLOGY CORP.**,  
Chicago, IL (US)

**DESCRIPTION**

(72) Inventor: **Thomas Fornarelli**, Chicago, IL (US)

FIG. 1 is a top perspective view of a vapor tube showing my new design;

(73) Assignee: **AVANZATO TECHNOLOGY CORP.**,  
Chicago, IL (US)

FIG. 2 is a front elevational view thereof, the opposite side not shown is a mirror image thereof;

(\*\*) Term: **15 Years**

FIG. 3 is a left side elevational view thereof, the opposite side not shown is a mirror image thereof;

(21) Appl. No.: **29/540,559**

FIG. 4 is a top plan view thereof;

(22) Filed: **Sep. 25, 2015**

FIG. 5 is a bottom plan view thereof;

(51) **LOC (11) Cl.** ..... **27-06**

FIG. 6 is an exploded bottom perspective view thereof;

(52) **U.S. Cl.**

FIG. 7 is a top perspective view thereof;

USPC ..... **D27/194; D27/162**

FIG. 8 is a top perspective view thereof;

(58) **Field of Classification Search**

FIG. 9 is a top perspective view of a second embodiment showing my new design;

USPC ..... D27/100, 101, 102, 162, 163, 164, 165,  
D27/166, 167, 168, 169, 170, 171, 172,  
D27/175, 180, 183, 184, 186, 187, 188,  
D27/189, 193, 194; D9/428, 454, 439

FIG. 10 is a front elevational view thereof, it being understood that the opposite side not shown is a substantial mirror image thereof;

CPC ..... A24F 47/002; A24F 7/00

FIG. 11 is left side elevational view thereof, it being understood that the opposite side not shown is a substantial mirror image thereof;

See application file for complete search history.

FIG. 12 is a top plan view thereof;

(56) **References Cited**

FIG. 13 is a bottom plan view thereof;

**U.S. PATENT DOCUMENTS**

FIG. 14 is an exploded bottom perspective view thereof;

D269,638 S \* 7/1983 Frye, Jr. .... D26/9  
D285,614 S \* 9/1986 Vanbragt ..... D26/11  
D290,514 S \* 6/1987 Boss ..... D26/11  
5,687,745 A \* 11/1997 Yalcin ..... A24F 13/06  
131/173

FIG. 15 is a top perspective view of a third embodiment showing my new design;

(Continued)

FIG. 16 is a front elevational view thereof, it being understood that the opposite side not shown is a substantial mirror image thereof;

*Primary Examiner* — Brandon M Rosati

FIG. 17 is a left side elevational view thereof, it being understood that the opposite side not shown is a substantial mirror image thereof;

*Assistant Examiner* — Marissa J Cash

FIG. 18 is a top plan view thereof;

(74) *Attorney, Agent, or Firm* — Flener IP & Business  
Law

FIG. 19 is a bottom plan view thereof;

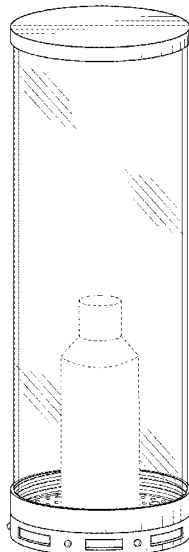
FIG. 20 is an exploded bottom perspective view thereof;

FIG. 21 is a top elevational view thereof; and,

FIG. 22 is a top elevational view thereof.

In the drawings, the broken lines depict environmental subject matter only and form no part of the claimed design.

**1 Claim, 11 Drawing Sheets**



(56)

References Cited

U.S. PATENT DOCUMENTS

D397,939 S *	9/1998	Hering	D9/454	2004/0154630 A1 *	8/2004	Tabuchi	A24B 15/282
D413,172 S *	8/1999	Belschner	D26/11				131/365
6,098,632 A *	8/2000	Turner	A24F 47/002	2004/0200493 A1 *	10/2004	Matsufuji	A24C 5/1821
							131/364
D450,862 S *	11/2001	Alcedo	D26/11	2006/0254604 A1 *	11/2006	Martinez	
D485,639 S *	1/2004	Stronski	D27/170			Fernandez	A24F 47/002
D588,741 S *	3/2009	Murdaugh, III	D27/169				131/273
D590,990 S *	4/2009	Hon	D27/101	2008/0254398 A1 *	10/2008	Chadha	F23D 3/16
D590,991 S *	4/2009	Hon	D27/101				431/291
D613,624 S *	4/2010	Bodum	D10/46.2	2009/0049743 A1 *	2/2009	Lewis, Jr.	A47G 7/06
D630,124 S *	1/2011	Connell	D11/152				47/41.01
D644,375 S *	8/2011	Zhou	D27/101	2011/0010988 A1 *	1/2011	Lanoha	A47G 7/06
D649,708 S *	11/2011	Oneil	D27/163				47/41.1
D652,571 S *	1/2012	Shenassa	D27/163	2013/0140200 A1 *	6/2013	Scatterday	A24F 15/00
D661,827 S *	6/2012	Moetteli	D26/11				206/265
D683,897 S *	6/2013	Liu	D27/170	2013/0180533 A1 *	7/2013	Kim	A24F 47/008
D688,416 S *	8/2013	Liu	D27/101				131/273
D693,053 S *	11/2013	Chen	D27/101	2014/0376895 A1 *	12/2014	Han	A24F 47/008
D694,468 S *	11/2013	Chen	D27/101				392/395
D695,450 S *	12/2013	Benassayag	D24/110.5	2015/0078735 A1 *	3/2015	Cormack	A61M 15/006
D707,389 S *	6/2014	Liu	D27/194				392/395
D713,100 S *	9/2014	Salgueiro	D30/105	2015/0164141 A1 *	6/2015	Newton	H01M 2/1055
D724,780 S *	3/2015	Wu	D27/101				131/329
D724,782 S *	3/2015	Wu	D27/101	2015/0181944 A1 *	7/2015	Li	A24F 47/008
D728,155 S *	4/2015	Liu	D27/101				131/329
D728,156 S *	4/2015	Wu	D27/101	2015/0245657 A1 *	9/2015	Memari	A24F 15/12
D729,441 S *	5/2015	Hua	D27/101				141/18
D730,571 S *	5/2015	Chen	D27/101	2015/0257446 A1 *	9/2015	Chung	A24F 47/008
D739,601 S *	9/2015	Bahbah	D27/170				131/329
D739,979 S *	9/2015	Smith	D27/163	2015/0257447 A1 *	9/2015	Sullivan	A24F 47/008
D742,563 S *	11/2015	Kasha	A47G 7/06				131/329
			D26/22	2015/0258288 A1 *	9/2015	Sullivan	A61M 15/0086
D744,696 S *	12/2015	Malhi	D27/169				128/203.12
D745,213 S *	12/2015	Alima	D27/143	2015/0272219 A1 *	10/2015	Hatrick	A24F 47/008
D747,548 S *	1/2016	Mayor	D27/167				131/328
D747,549 S *	1/2016	Stowers	D27/167	2015/0282529 A1 *	10/2015	Li	A24F 47/008
D749,261 S *	2/2016	Chen	D27/162				131/273
D751,249 S *	3/2016	Chen	D27/101	2015/0282530 A1 *	10/2015	Johnson	A24F 47/008
D752,280 S *	3/2016	Verleur	D27/167				392/387
D756,779 S *	5/2016	Kang	D9/454	2016/0000145 A1 *	1/2016	Liu	A61M 15/006
9,352,288 B2 *	5/2016	Terry	A24F 47/008				131/329
D758,649 S *	6/2016	Liu	D27/101	2016/0007654 A1 *	1/2016	Zhu	A24F 47/008
D758,650 S *	6/2016	Wu	D27/101				131/328
D763,501 S *	8/2016	McGarry	D27/101	2016/0015082 A1 *	1/2016	Liu	A24F 47/008
D764,701 S *	8/2016	Malhi	D27/101				131/329
D765,309 S *	8/2016	Liu	D27/101	2016/0073694 A1 *	3/2016	Liu	H05B 3/40
D771,307 S *	11/2016	Wu	D27/101				131/329
D772,478 S *	11/2016	Liu	D27/167	2016/0113327 A1 *	4/2016	Wu	H05B 3/06
D772,479 S *	11/2016	Stowers	D27/167				131/329
D775,762 S *	1/2017	Chen	D27/101	2016/0120226 A1 *	5/2016	Rado	A24F 47/008
D776,868 S *	1/2017	Rado	D27/162				131/329
D780,372 S *	2/2017	Liu	D27/101	2016/0121058 A1 *	5/2016	Chen	A61M 11/04
D780,991 S *	3/2017	Liu	D27/101				128/200.19
D783,117 S *	4/2017	Gilbarte	D22/117	2016/0144458 A1 *	5/2016	Boldrini	B23K 31/02
D784,609 S *	4/2017	Liu	D27/101				228/176
D787,114 S *	5/2017	Scott	D27/194	2016/0280450 A1 *	9/2016	Hearn	A61M 15/0091
D790,122 S *	6/2017	Hawes	D27/101				
D792,645 S *	7/2017	Fornarelli	D27/167				

\* cited by examiner

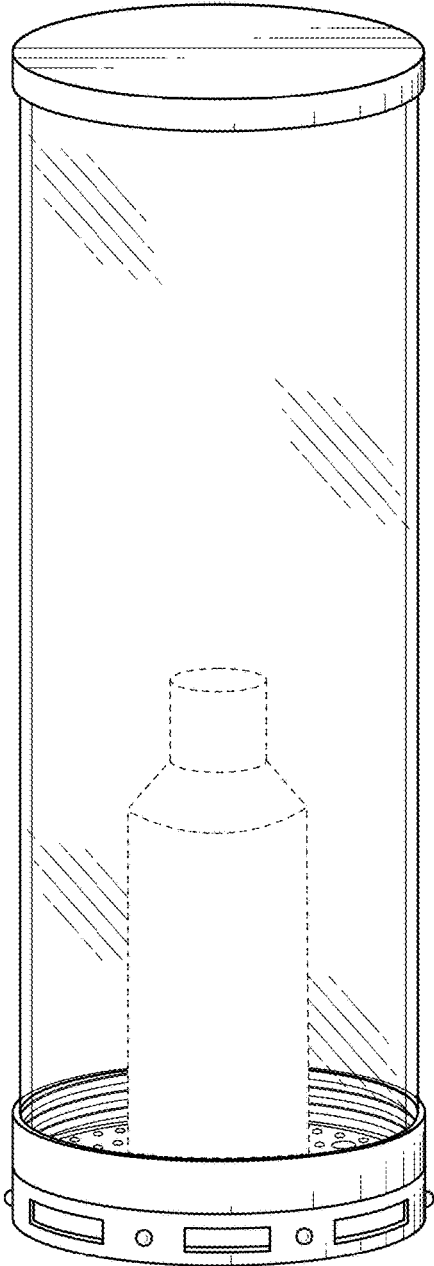


FIG. 1

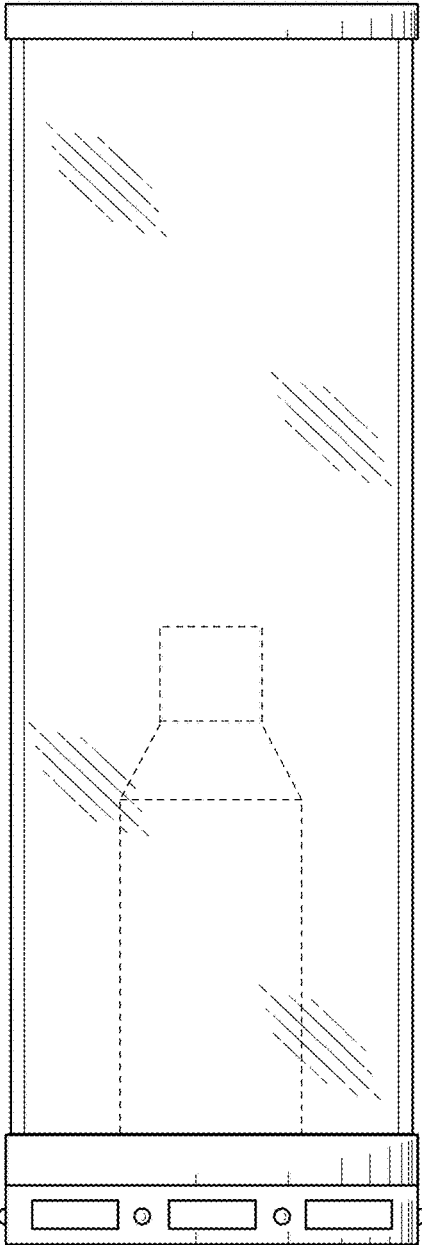


FIG. 2

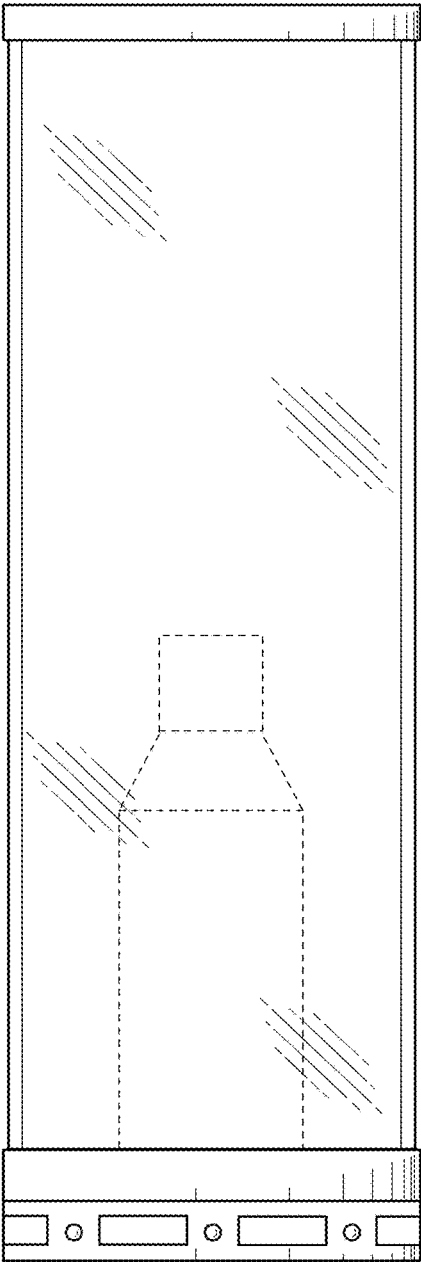


FIG. 3

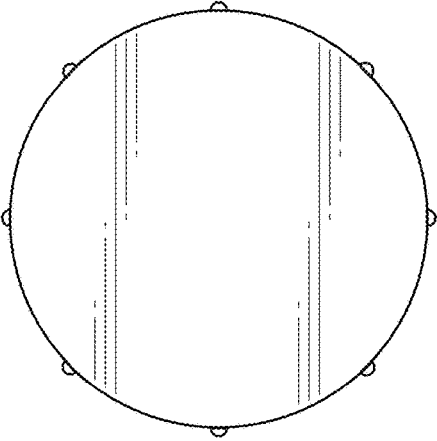


FIG. 4

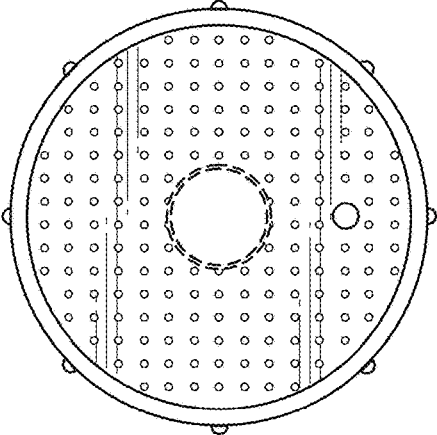


FIG. 5

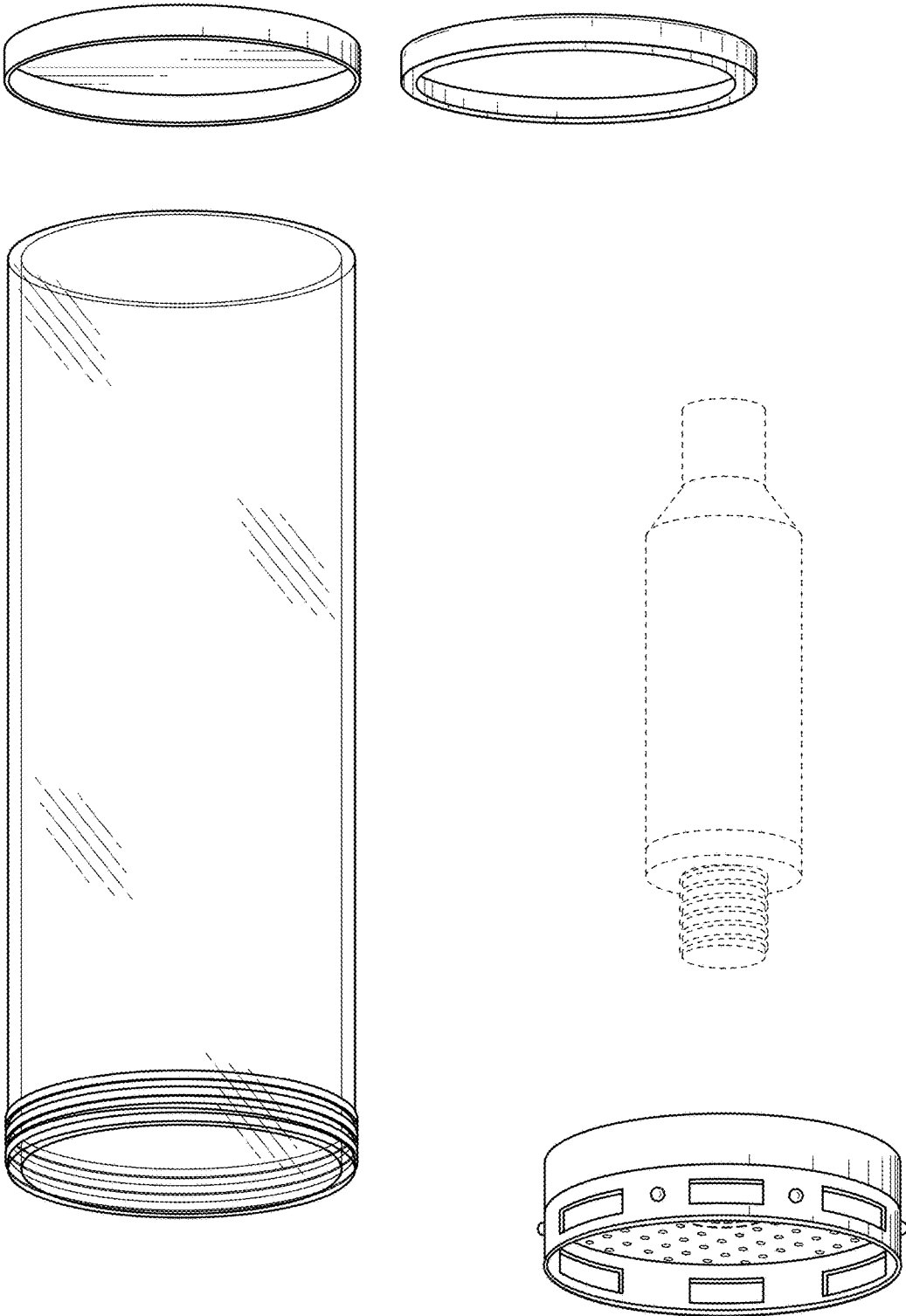


FIG. 6

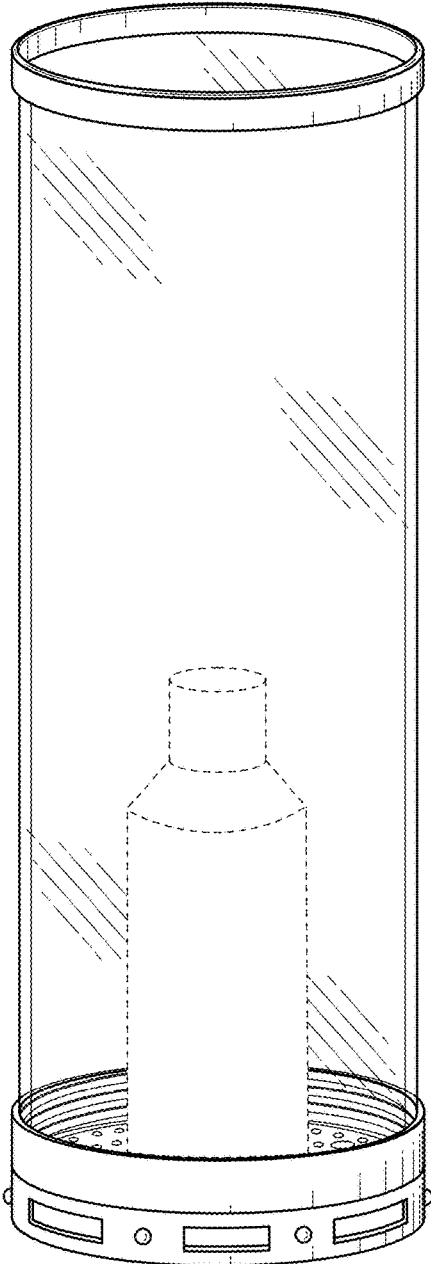


FIG. 7

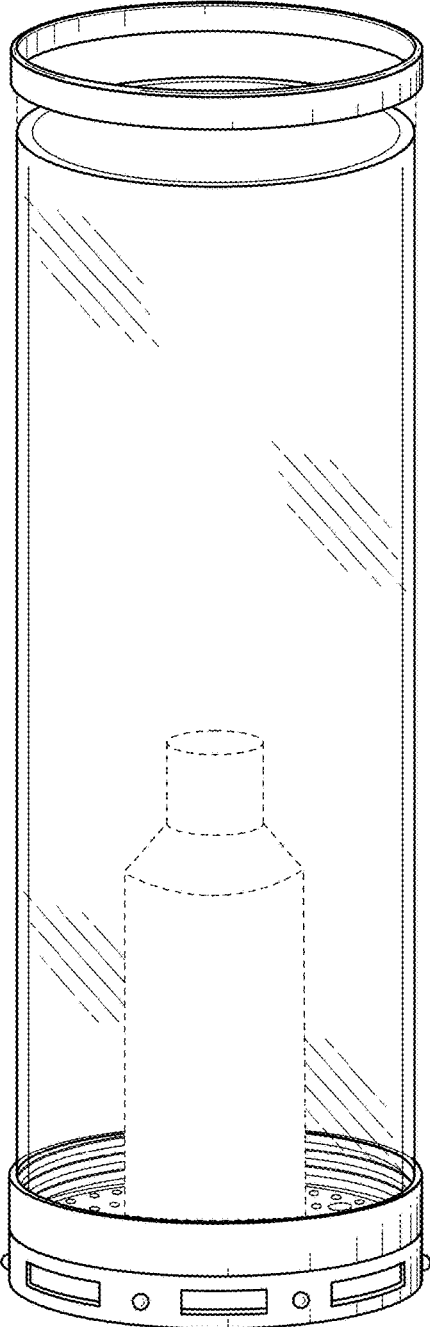


FIG. 8

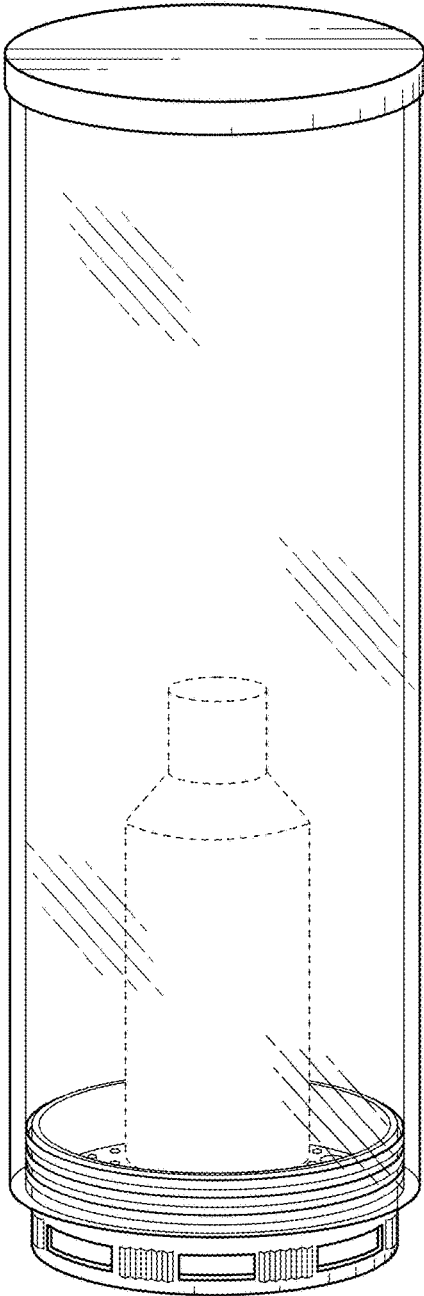


FIG. 9

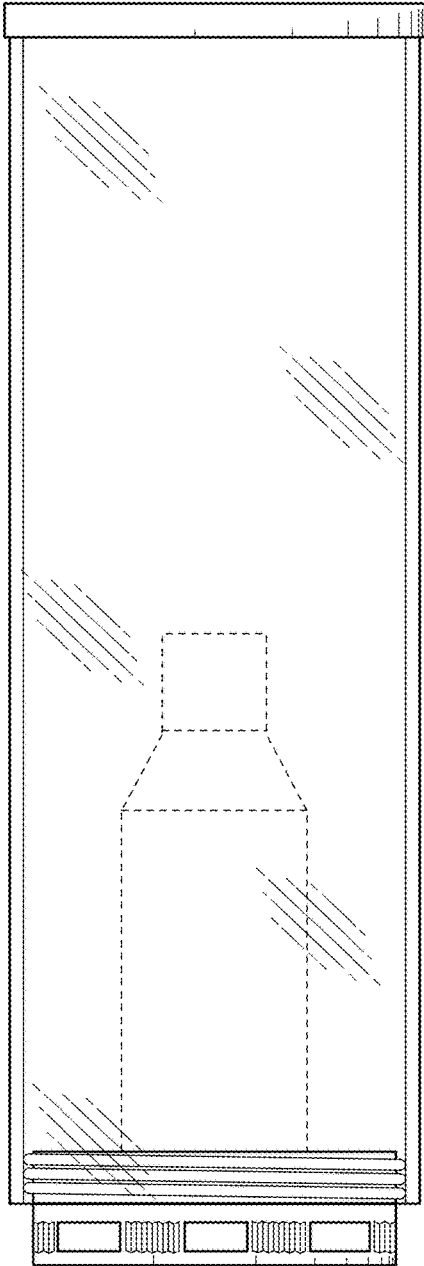


FIG. 10

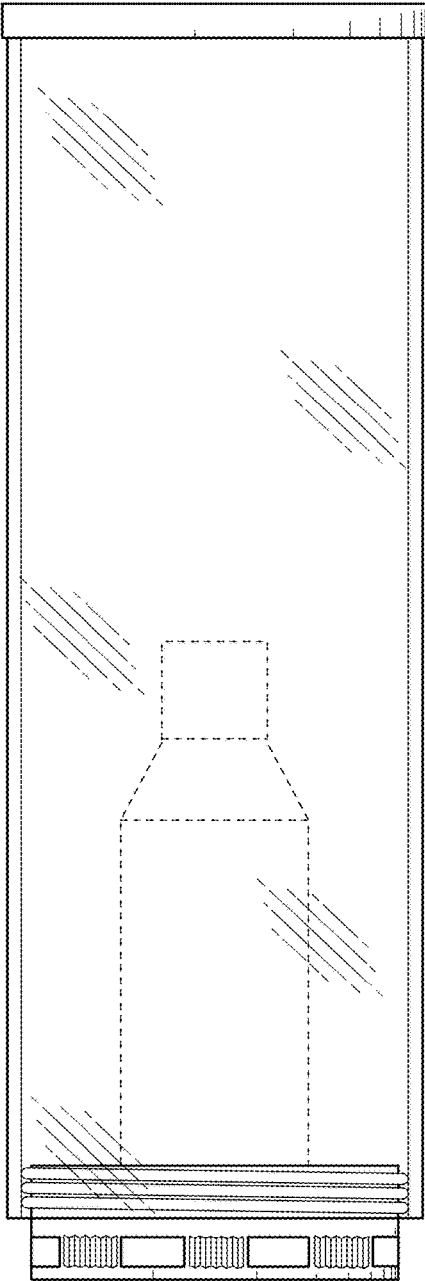


FIG. 11

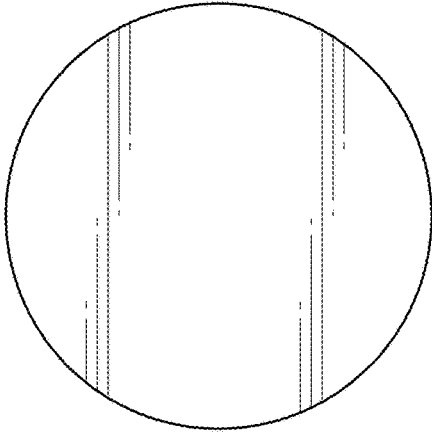


FIG. 12

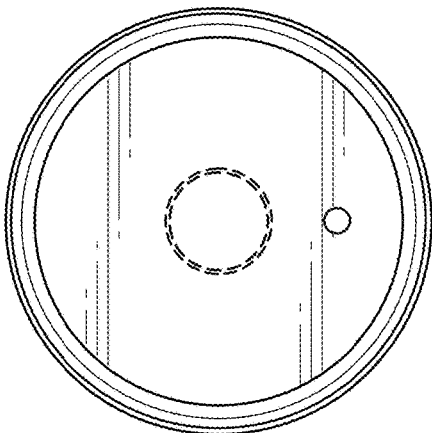


FIG. 13



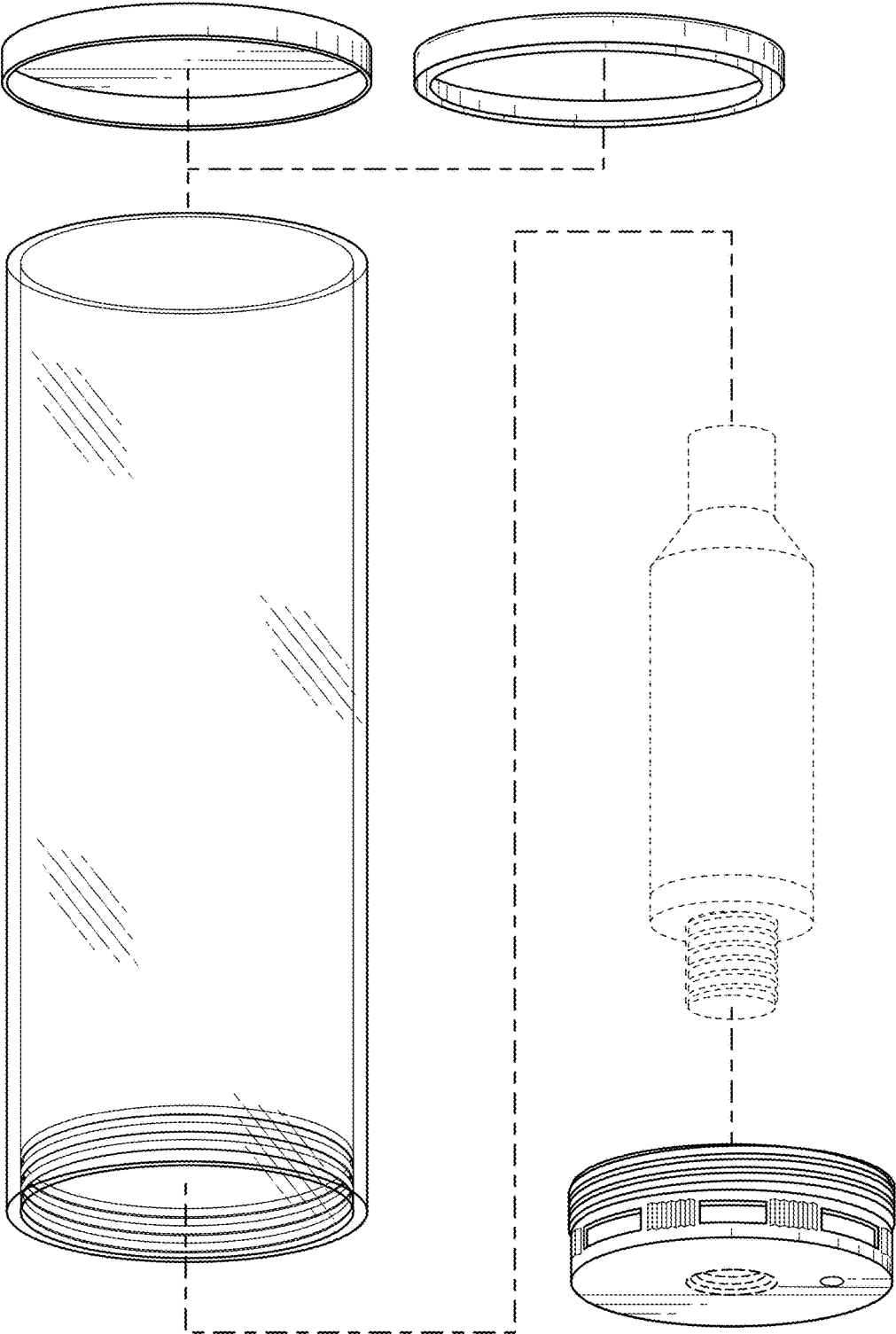


FIG. 14

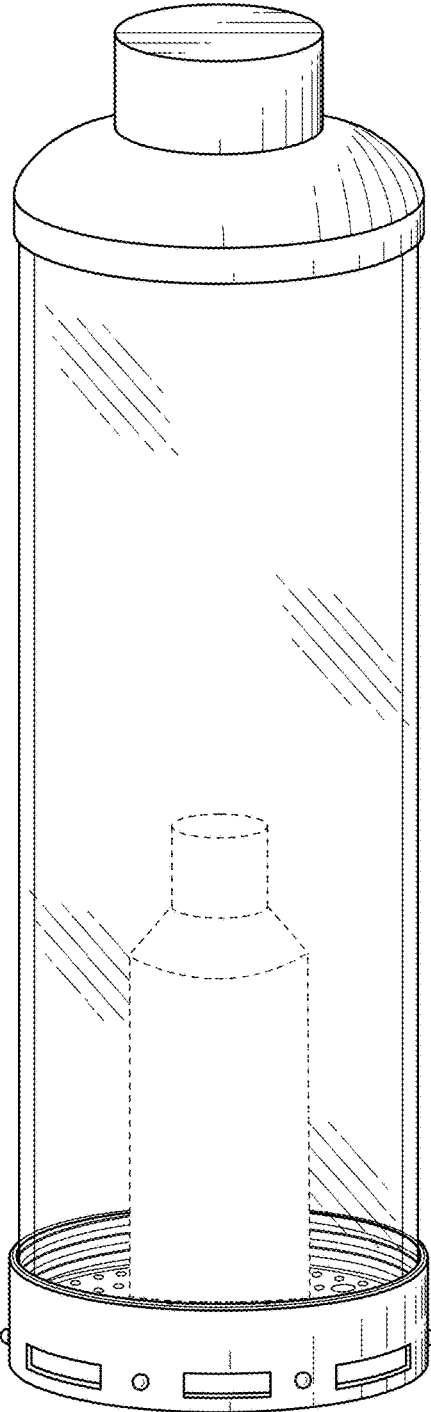


FIG. 15

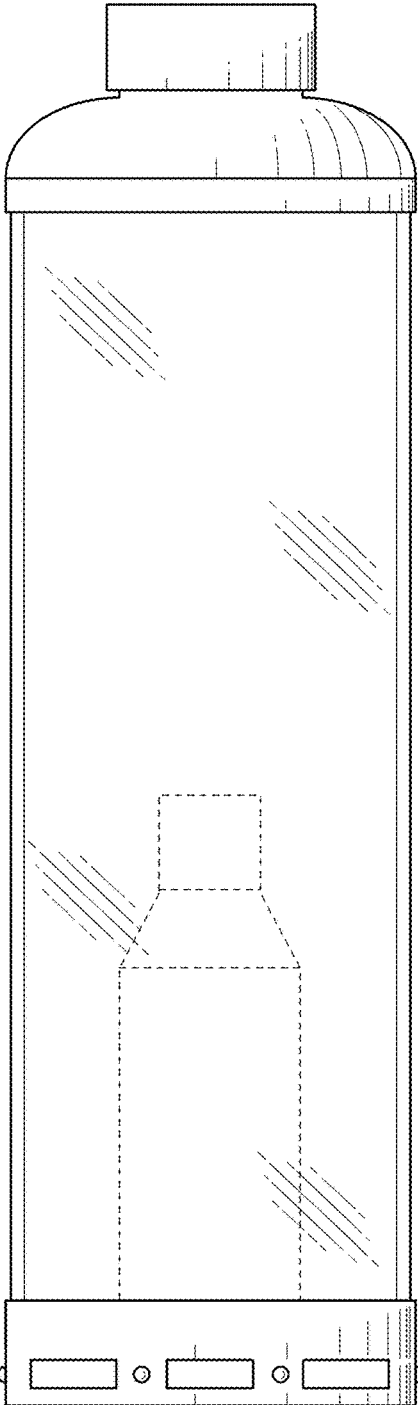


FIG. 16

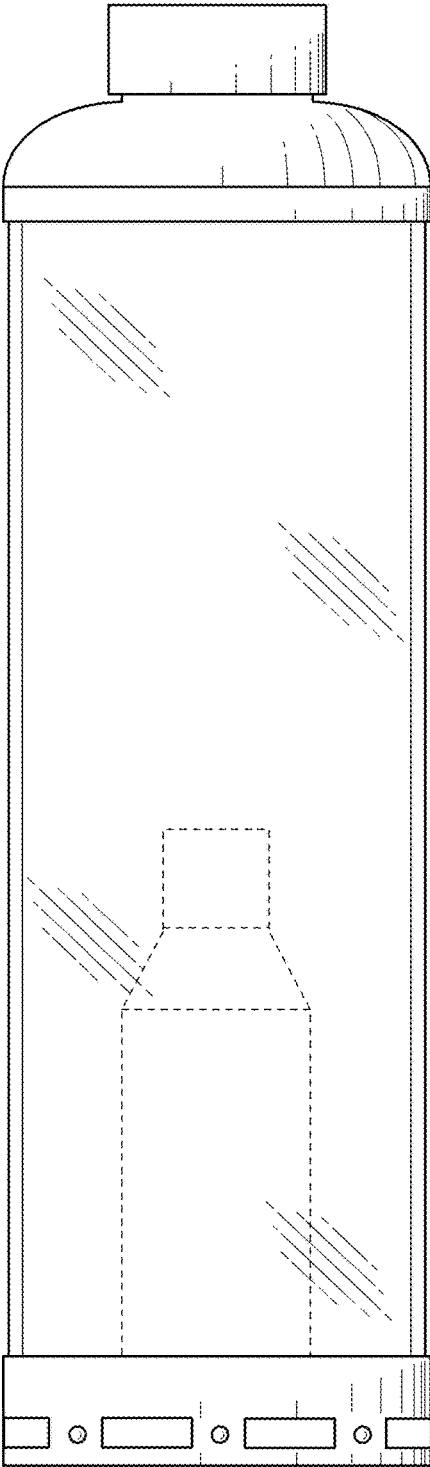


FIG. 17

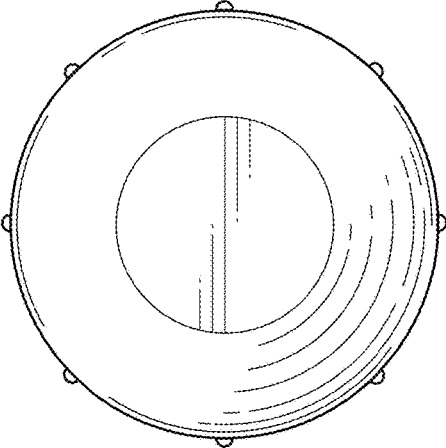


FIG. 18

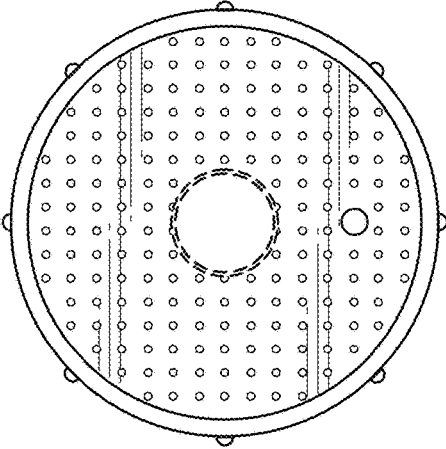


FIG. 19

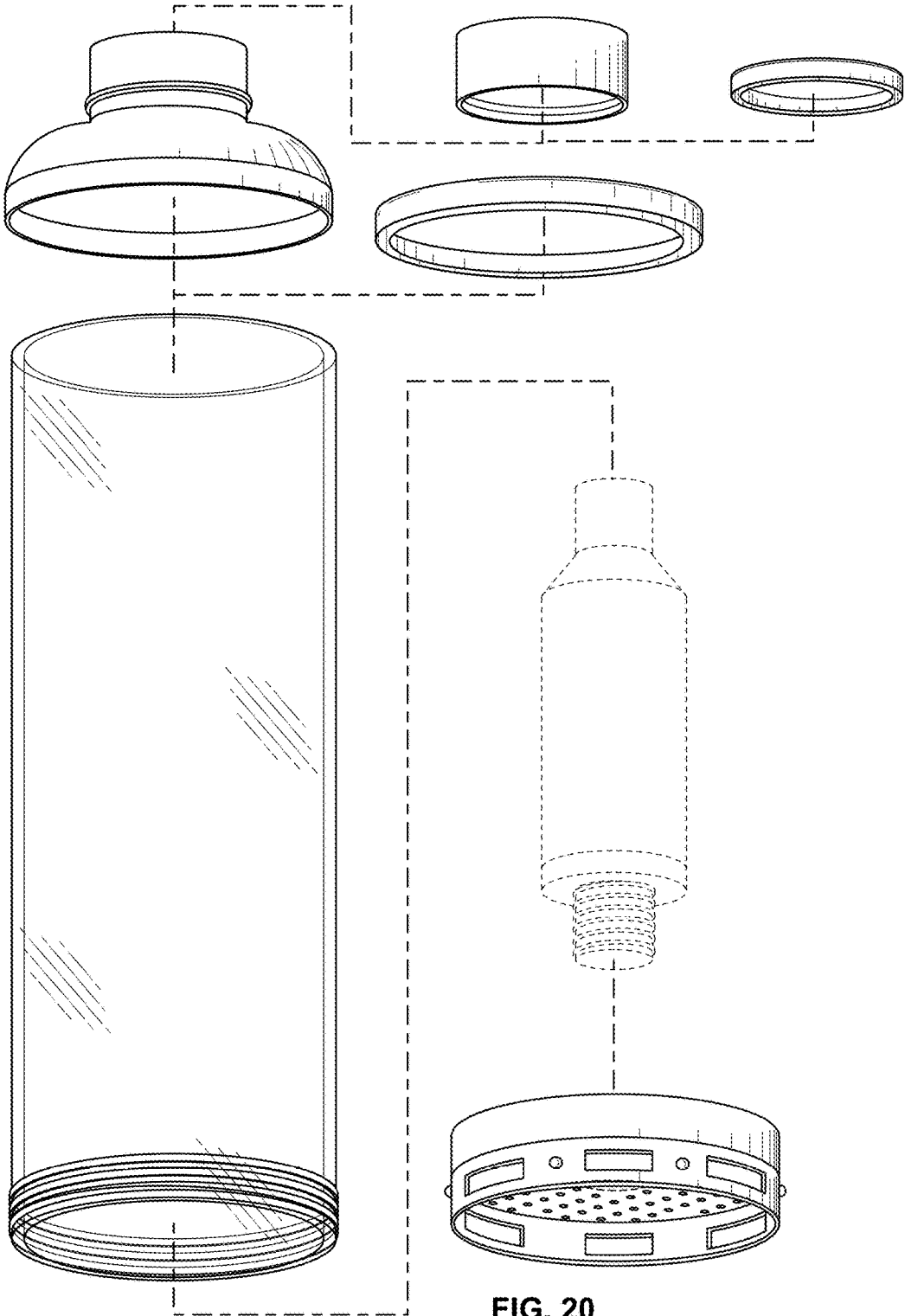


FIG. 20

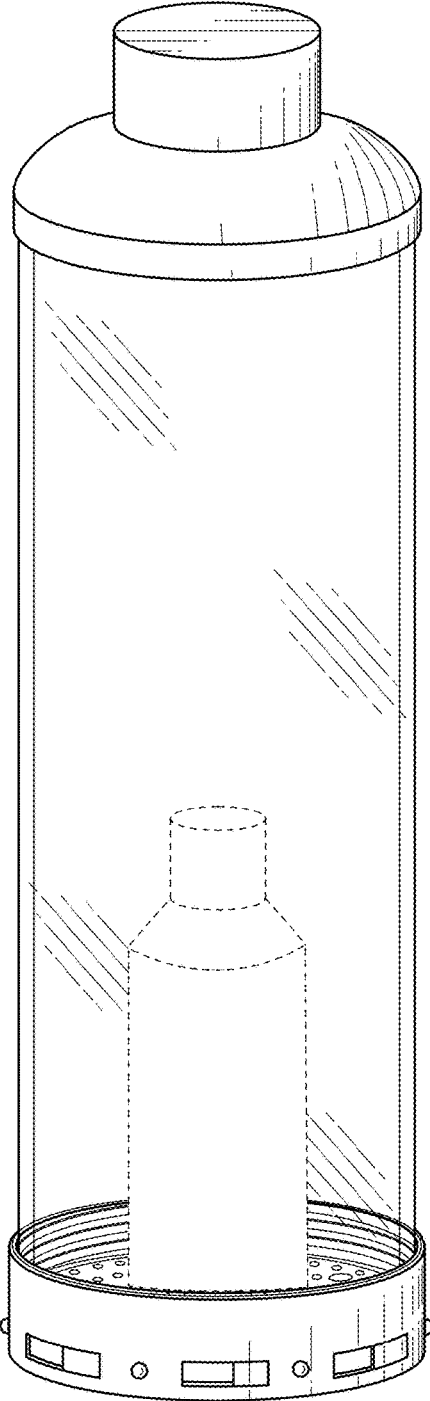


FIG. 21

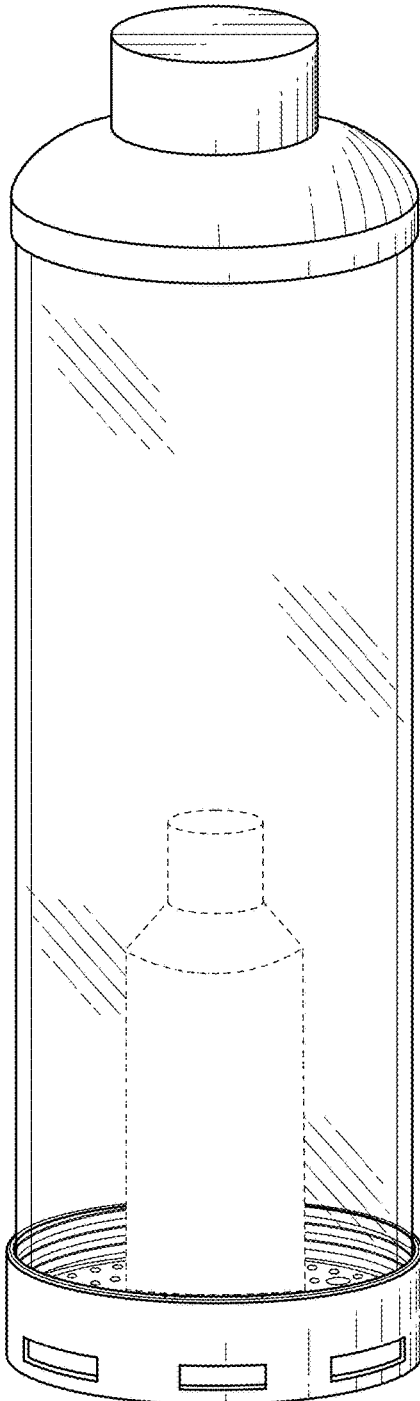


FIG. 22