



US00D516601S

(12) **United States Design Patent** (10) **Patent No.:** **US D516,601 S**
Ishii (45) **Date of Patent:** **** Mar. 7, 2006**

(54) **CAMERA**

(75) Inventor: **Daisuke Ishii**, Tokyo (JP)

(73) Assignee: **Sony Corporation**, Tokyo (JP)

(**) Term: **14 Years**

(21) Appl. No.: **29/215,737**

(22) Filed: **Oct. 25, 2004**

(51) **LOC (8) Cl.** **16-01**

(52) **U.S. Cl.** **D16/218; D16/202**

(58) **Field of Classification Search** **D16/200-206,**
D16/208, 212, 218; 348/373-376; 358/906,
358/909.1; 396/535-541

See application file for complete search history.

(56) **References Cited**

U.S. PATENT DOCUMENTS

3,418,909	A	*	12/1968	Rabinow	D16/218
D449,628	S	*	10/2001	Obata et al.	D16/202
D450,737	S		11/2001	Suzuki	D16/202
D477,832	S		7/2003	Suzuki	D16/218
D480,742	S	*	10/2003	Chin	D16/218
D491,970	S		6/2004	Ikenaga	D16/218
D494,990	S	*	8/2004	Su et al.	D16/202
D500,333	S	*	12/2004	Hong et al.	D16/202
D501,496	S	*	2/2005	Sadatsuki	D16/218
D503,182	S	*	3/2005	Ogura	D16/202

OTHER PUBLICATIONS

Web page “Sony Cyber-shot DSC-U40” <http://www.ecat-sony.co.jp/camera/dsc/products/index.cfm?PD=15565&KM=DSC-U40>, 1 sheet, Sony (Aug. 2004).

Web page “Panasonic DMC-FX5-S” http://www.yodobashi.com/enjoy/more/i/oid2_16112551/1428470.html, 1 sheet, Yodobashi Camera (Aug. 2004).

Web page “Canon IXY Digital 500” http://www.yodobashi.com/enjoy/more/l/oid2_544526/19391491.html, 1 sheet, Yodobashi Camera (Aug. 2004).

Web page “Fujifilm FinePix F710” http://www8.yodobashi.com/enjoy/more/i/cat_89_15830039_1582702/19532898.html, 1 sheet, Yodobashi Camera (Jul. 2004).

Web page “Olympus Camedia X-3” http://www8.yodobashi.com/enjoy/more/i/cat_89_13530039_1582707_1589234/20839873.html, 1 sheet, Yodobashi Camera (Jul. 2004).

* cited by examiner

Primary Examiner—Adir Aronovich

(74) *Attorney, Agent, or Firm*—Rader, Fishman & Grauer PLLC

(57) **CLAIM**

The ornamental design for a camera, as shown.

DESCRIPTION

FIG. 1 is a perspective view of a camera showing my new design;

FIG. 2 is a front elevational view thereof;

FIG. 3 is a rear elevational view thereof;

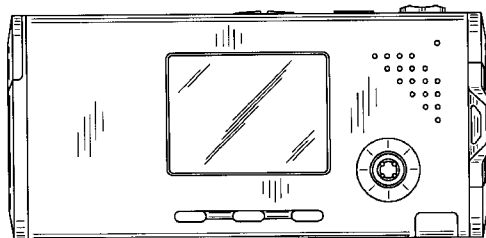
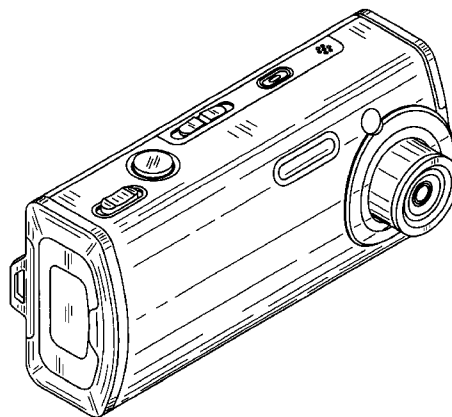
FIG. 4 is a left side elevational view thereof;

FIG. 5 is a right side elevational view thereof;

FIG. 6 is a top plan view thereof; and,

FIG. 7 is a bottom plan view thereof.

1 Claim, 4 Drawing Sheets



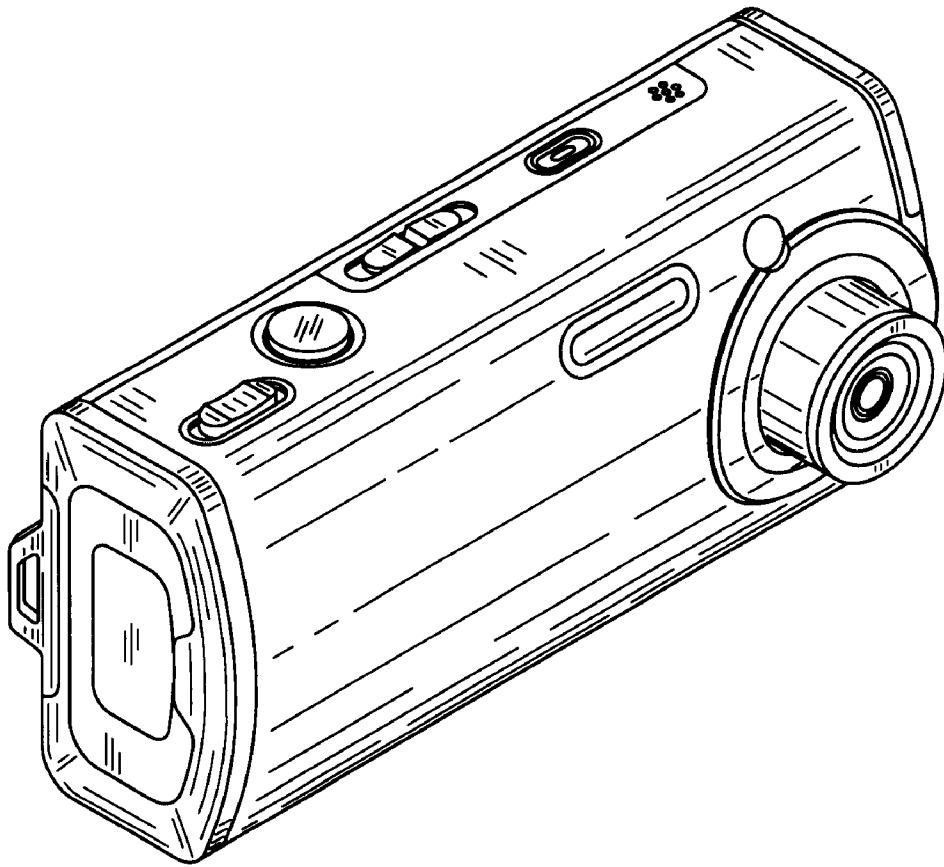


FIG. 1

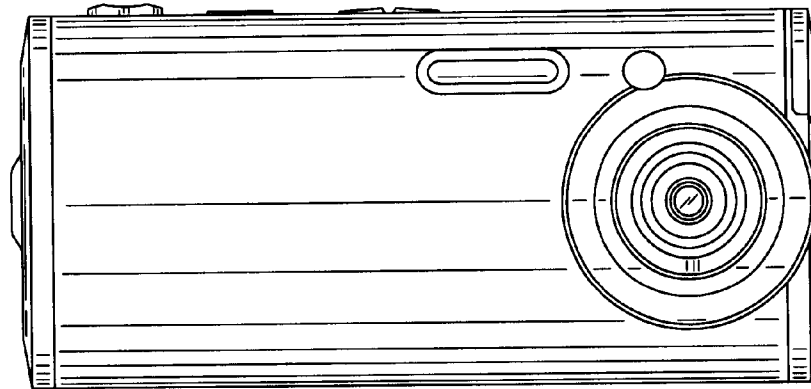


FIG. 2

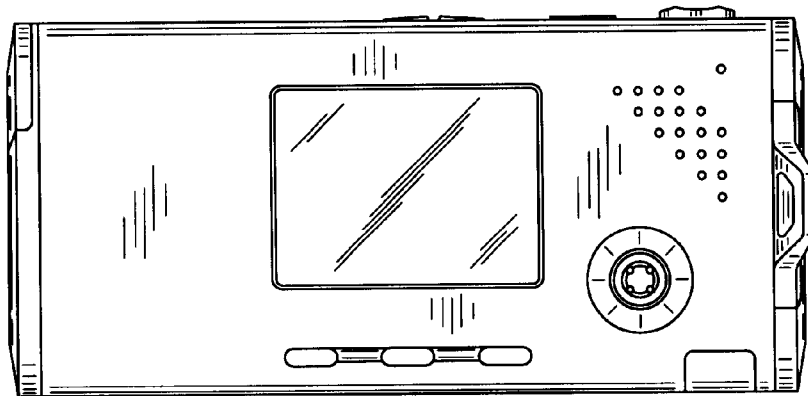


FIG. 3

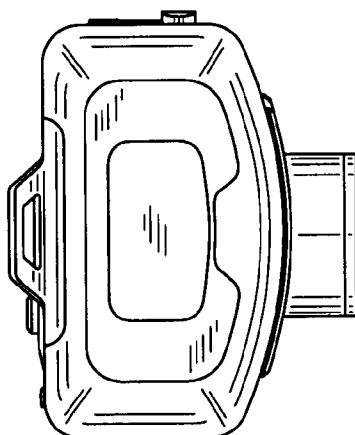


FIG. 4

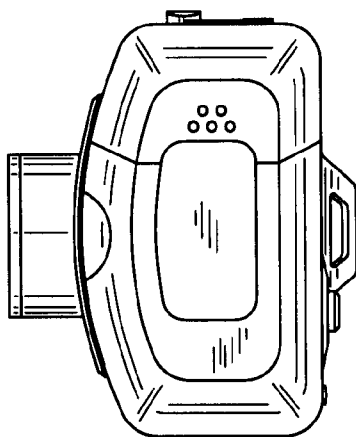


FIG. 5

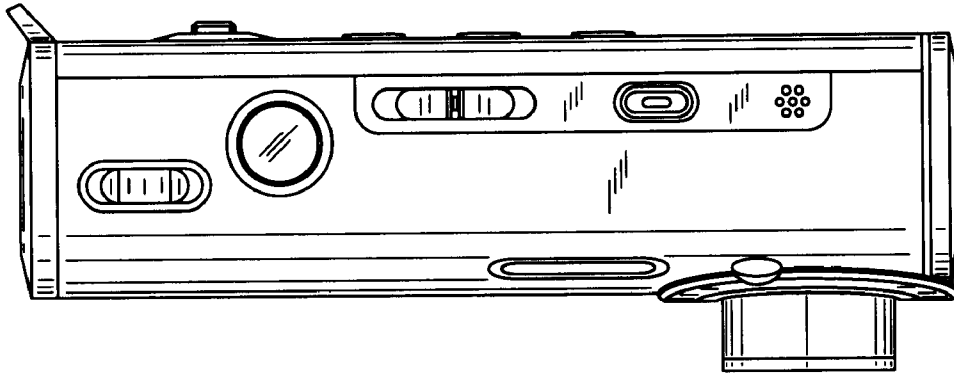


FIG. 6

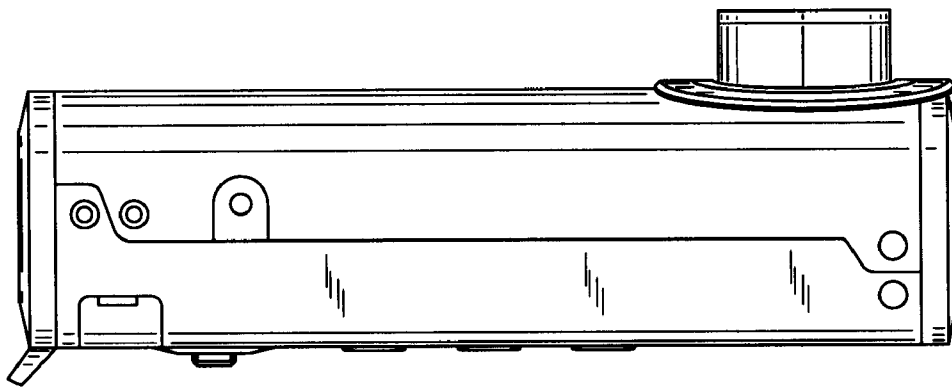


FIG. 7