



US00D448854B1

(12) **United States Design Patent**
Kuiper et al.

(10) **Patent No.:** **US D448,854 S**

(45) **Date of Patent:** **** Oct. 2, 2001**

(54) **SAMPLING TUBE RACK**

(75) **Inventors:** **Pieter Adriaan Kuiper**, Naranbga;
Cameron Wedgwood Boon,
Scarborough, both of (AU)

(73) **Assignee:** **A.I. Scientific PTY LTD**, Queensland
(AU)

(**) **Term:** **14 Years**

(21) **Appl. No.:** **29/134,114**

(22) **Filed:** **Dec. 15, 2000**

(30) **Foreign Application Priority Data**

Jun. 16, 2000 (AU) 1831/00

(51) **LOC (7) Cl.** **24-02**

(52) **U.S. Cl.** **D24/230; D24/227**

(58) **Field of Search** D24/216, 226,
D24/224, 230; 422/102, 101, 104; 435/288.4,
305.1, 305.2, 305.3, 305.4

(56) **References Cited**

U.S. PATENT DOCUMENTS

D. 420,139	*	2/2000	Ballin et al.	D24/216
D. 420,142	*	2/2000	Ballin et al.	D24/230
3,785,928	*	1/1974	Kessler .	
5,679,310	*	10/1997	Manns	422/102
5,897,837	*	4/1999	Mizuno	422/100

* cited by examiner

Primary Examiner—Ian Simmons

(74) *Attorney, Agent, or Firm*—Young & Thompson

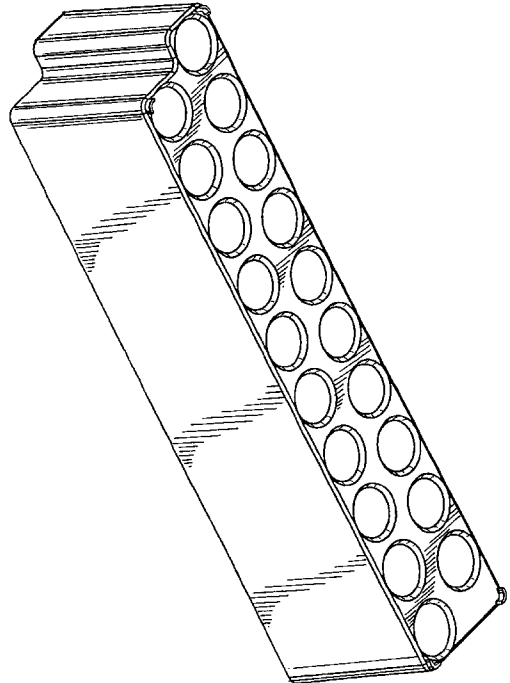
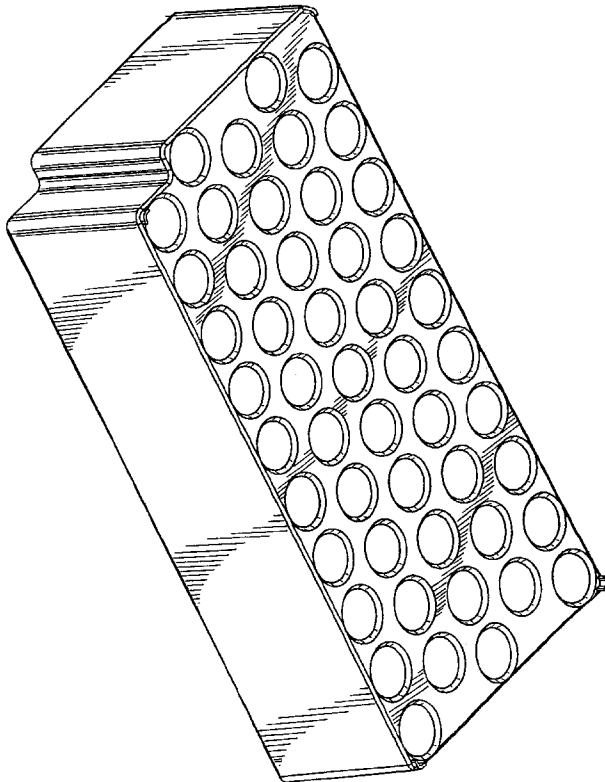
(57) **CLAIM**

The ornamental design for a sampling tube rack, as shown and described.

DESCRIPTION

FIG. 1 is a perspective view from below;
FIG. 2 is a perspective view from above;
FIG. 3 is a perspective view from above; and,
FIG. 4 is a perspective view from below.

1 Claim, 4 Drawing Sheets



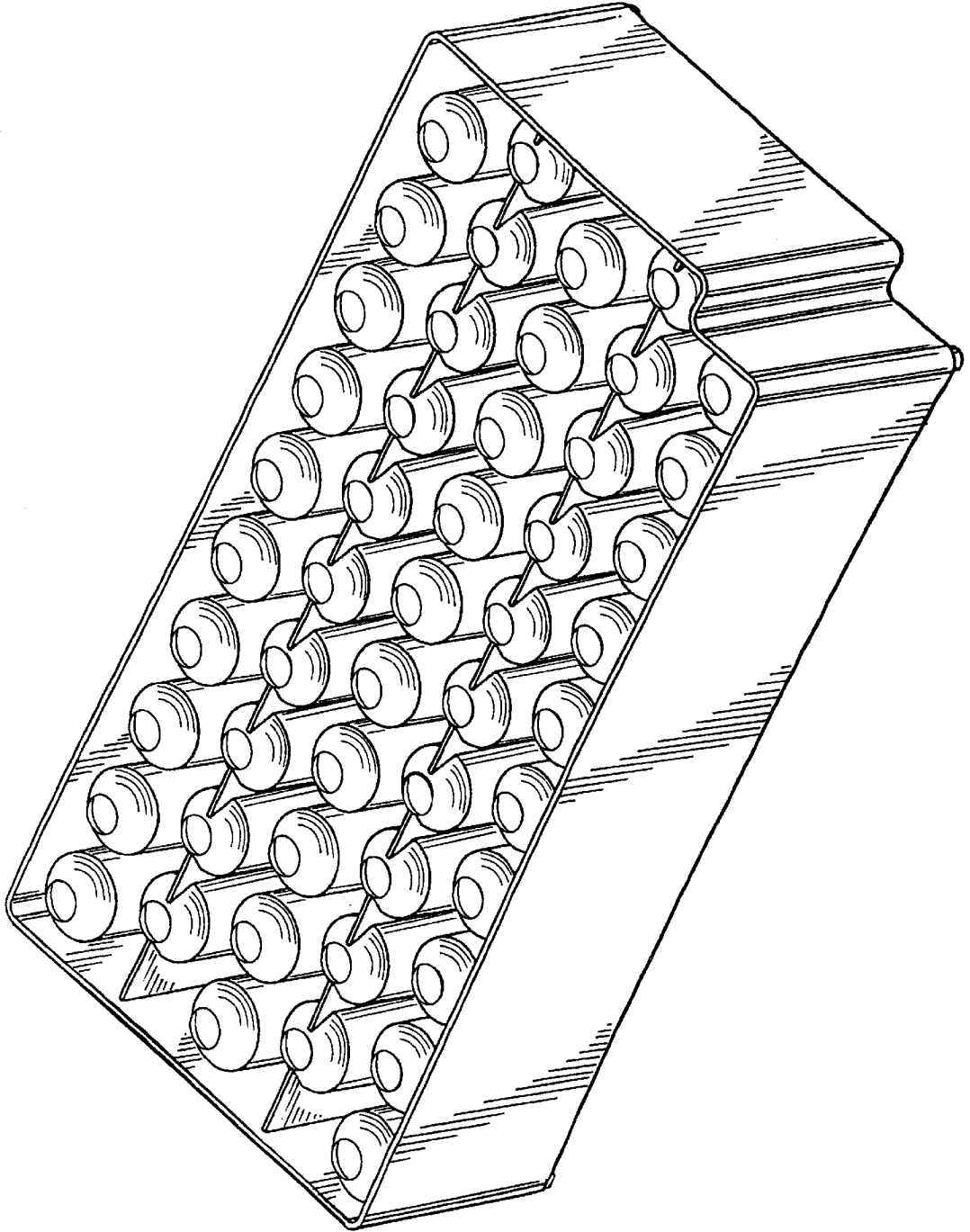


Fig. 1

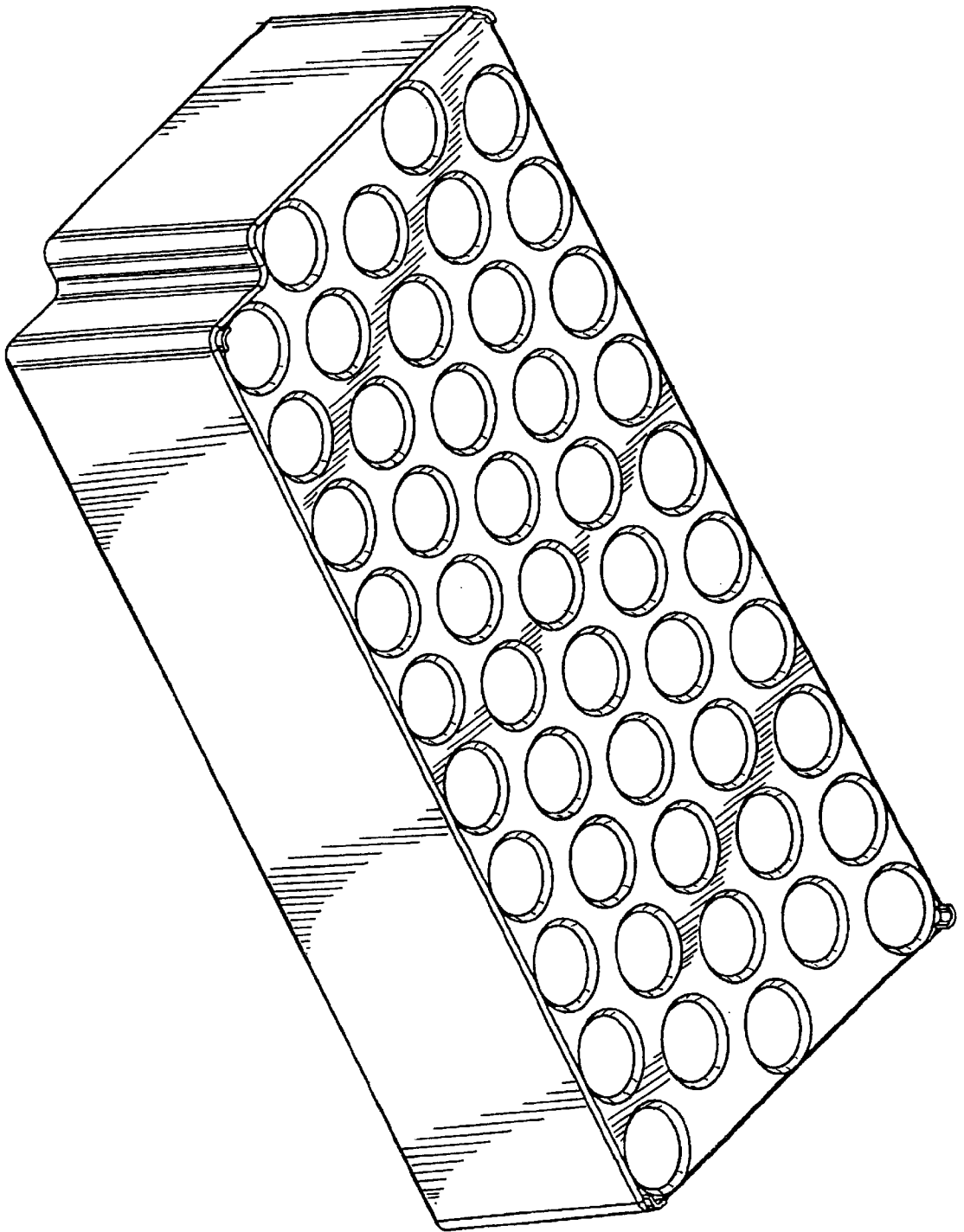


Fig. 2

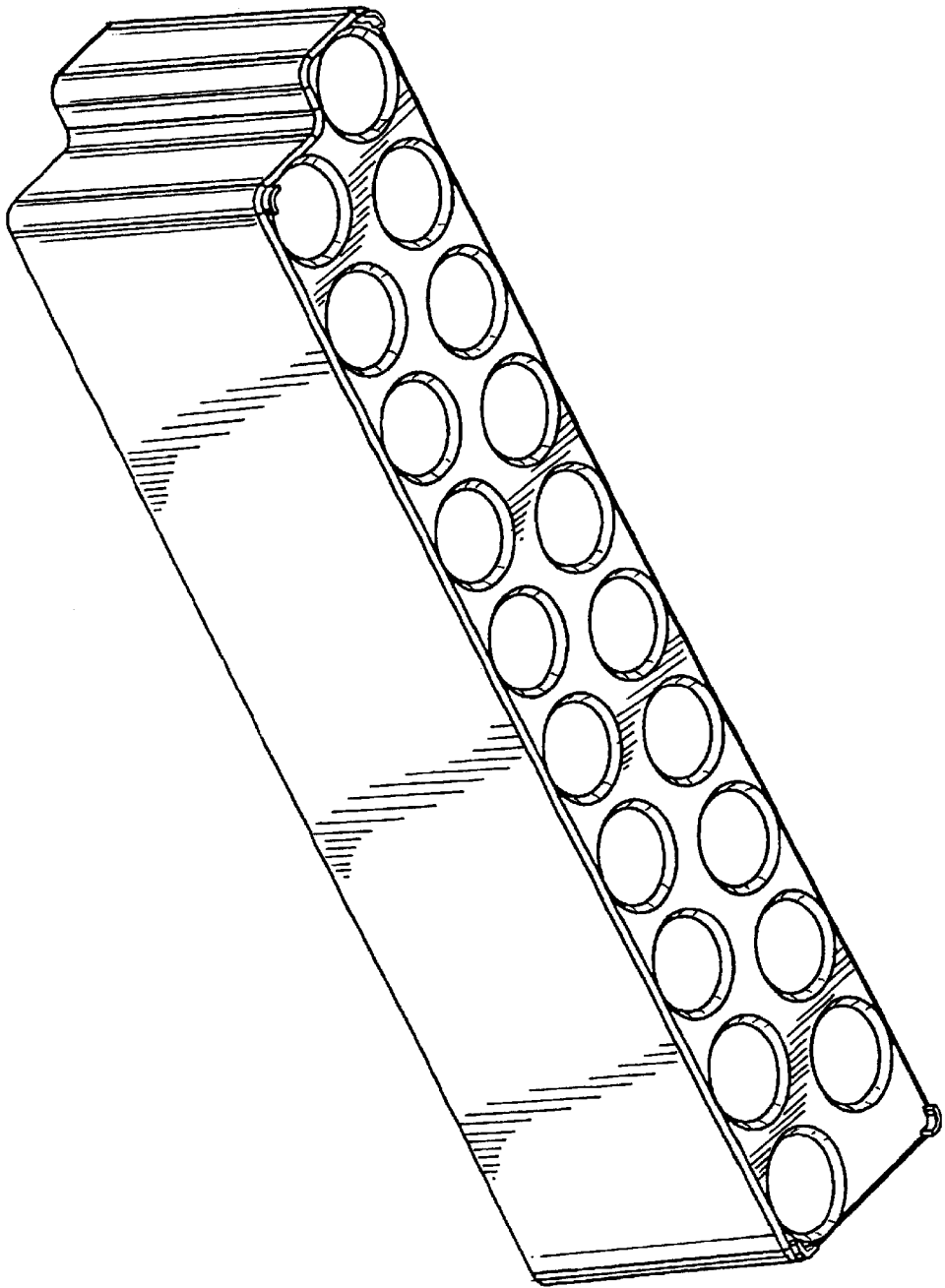


Fig. 3

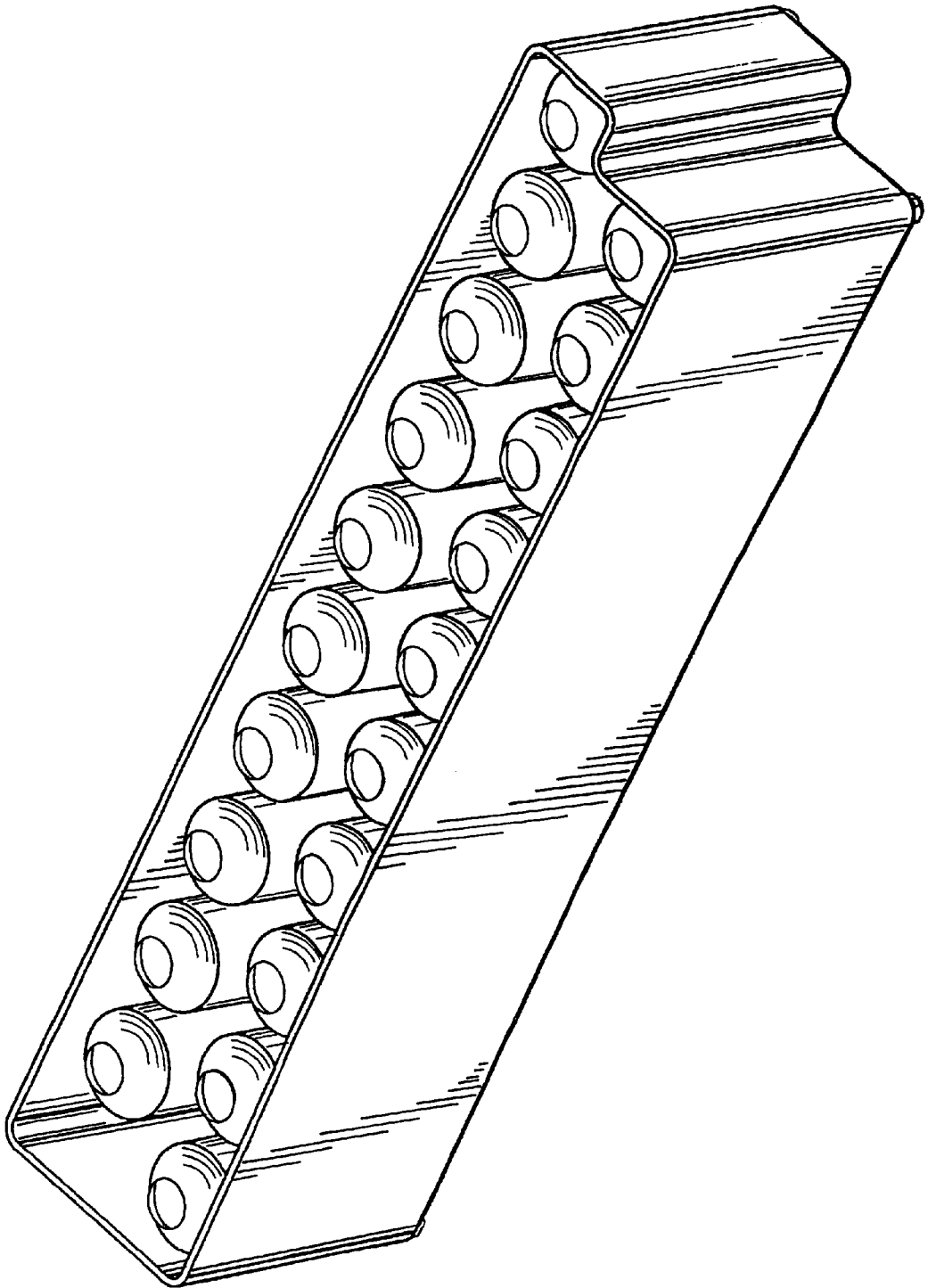


Fig. 4