



(12) **United States Design Patent**
Zhang

(10) **Patent No.:** **US D993,528 S**
(45) **Date of Patent:** **** Jul. 25, 2023**

(54) **DREADLOCK MAKER**

FOREIGN PATENT DOCUMENTS

(71) Applicant: **Junmin Zhang**, Yuzhou (CN)

CN	114766800	A *	7/2022	
DE	19914878	A1 *	10/2000 A45D 2/00
GB	2490484	A *	11/2012 A45D 2/02
GB	2544194	A *	5/2017 A45D 2/00
GB	2603788	A *	8/2022 A45D 2/00

(72) Inventor: **Junmin Zhang**, Yuzhou (CN)

(**) Term: **15 Years**

(21) Appl. No.: **29/882,016**

OTHER PUBLICATIONS

(22) Filed: **Jan. 10, 2023**

Amztmy dreadlock machine, www.amazon.com, 1 page, first available Dec. 2022 (Year: 2022).*

(51) **LOC (14) Cl.** **28-03**

* cited by examiner

(52) **U.S. Cl.**
USPC **D28/10**

(58) **Field of Classification Search**
USPC D28/9, 10
CPC A45D 2007/004; A45D 2002/005-006;
A45D 2/00
See application file for complete search history.

Primary Examiner — Jennifer Rivard

(57) **CLAIM**

The ornamental design for a dreadlock maker, as shown and described.

(56) **References Cited**

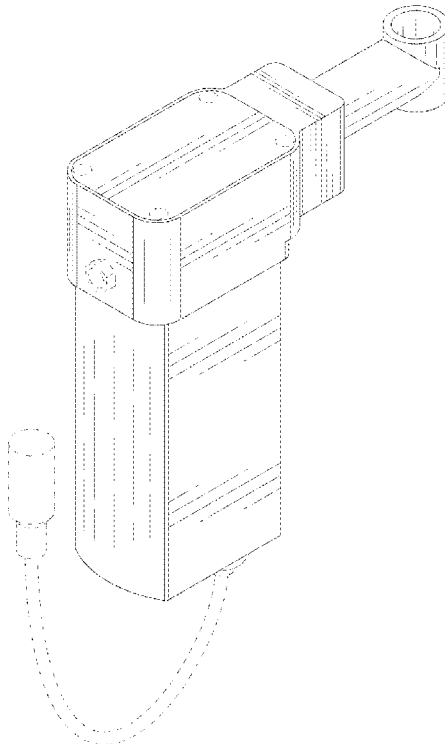
DESCRIPTION

U.S. PATENT DOCUMENTS

6,135,124	A *	10/2000	Grant	A41G 5/0086
					132/271
D542,970	S *	5/2007	Park	D28/35
D748,855	S	2/2016	Hightower		
D796,738	S *	9/2017	Kuitto	D9/688
10,743,598	B2 *	8/2020	Harris	A41G 5/0073
D897,110	S *	9/2020	Blank	D24/214
2016/0135564	A1 *	5/2016	Bang	A45D 2/002
					132/269
2017/0215505	A1 *	8/2017	Shin	A41G 5/0046
2022/0040873	A1 *	2/2022	Huntt	B26B 19/145
2022/0304442	A1 *	9/2022	Asante	A45D 2/00
2023/0000228	A1 *	1/2023	Diop	A45D 2/00

FIG. 1 is a front perspective view of a dreadlock maker, showing my new design;
FIG. 2 is a front view thereof;
FIG. 3 is a rear view thereof;
FIG. 4 is a left side view thereof;
FIG. 5 is a right side view thereof;
FIG. 6 is a top view thereof; and,
FIG. 7 is a bottom view thereof.
The broken lines in the drawings illustrate the portions of the dreadlock maker, which form no part of the claimed design.

1 Claim, 7 Drawing Sheets



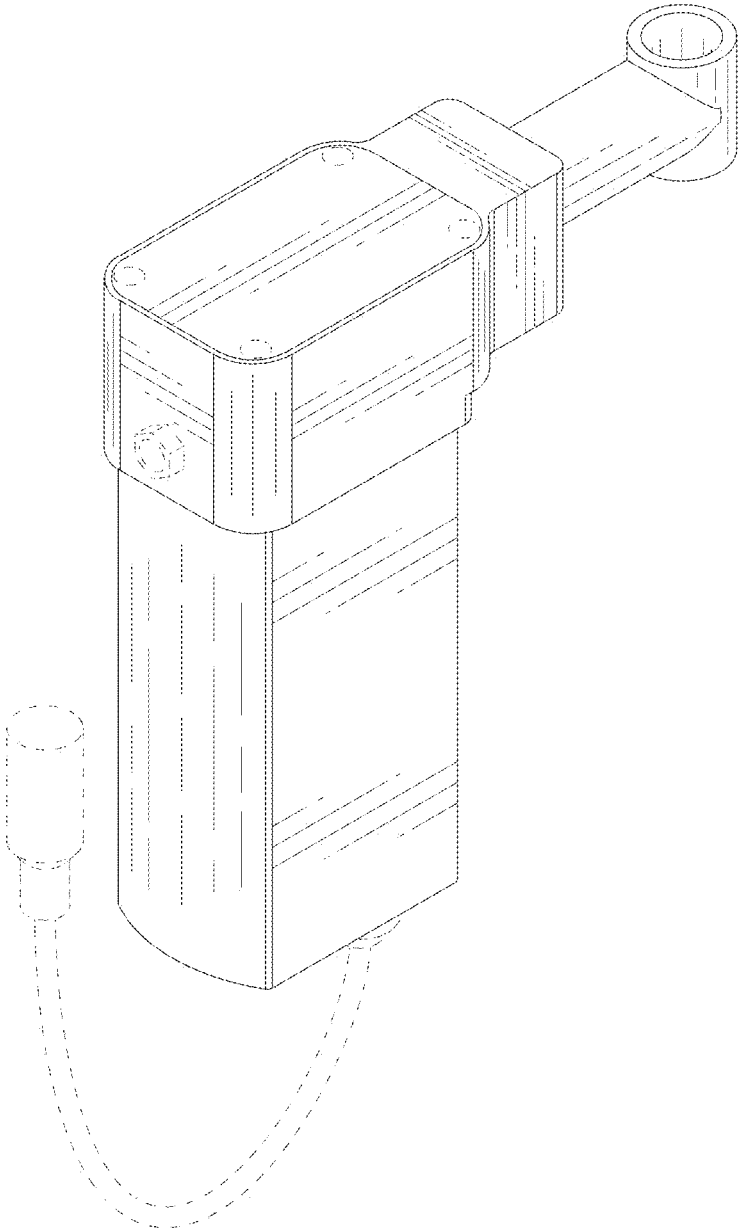


FIG. 1

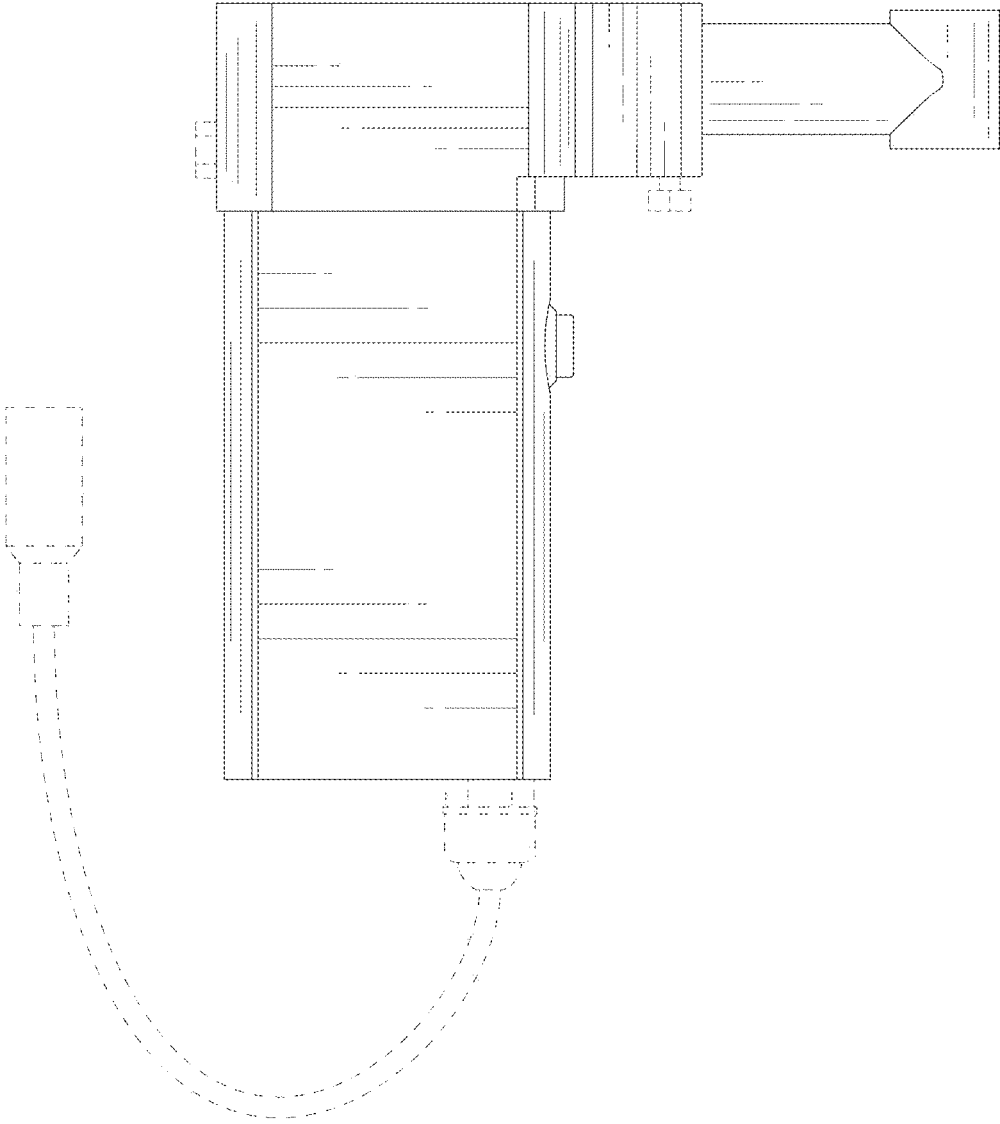


FIG. 2

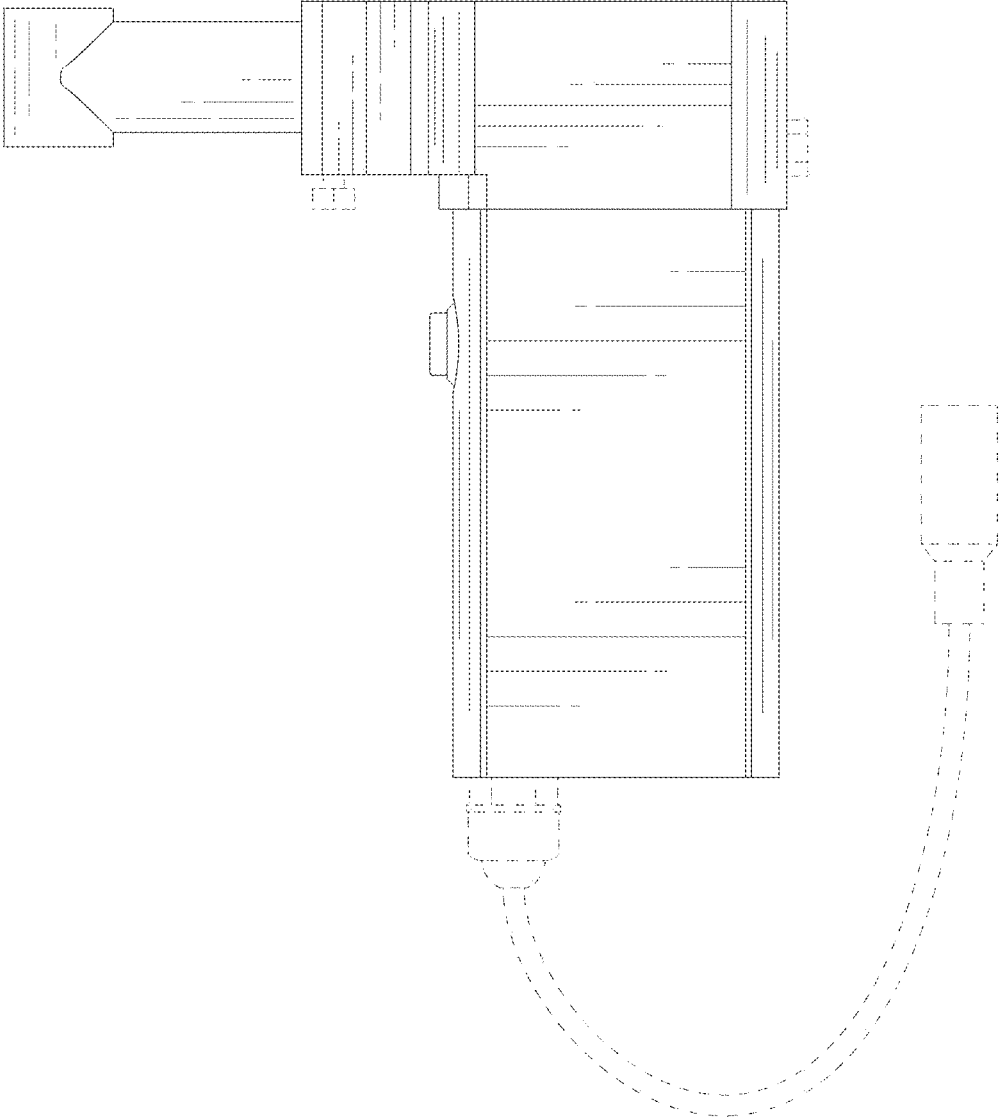


FIG. 3

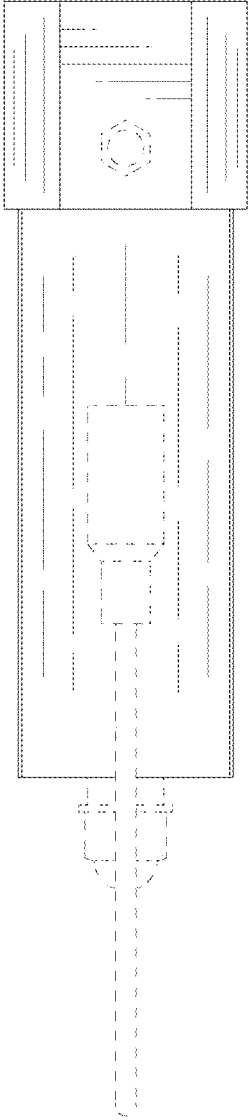


FIG. 4

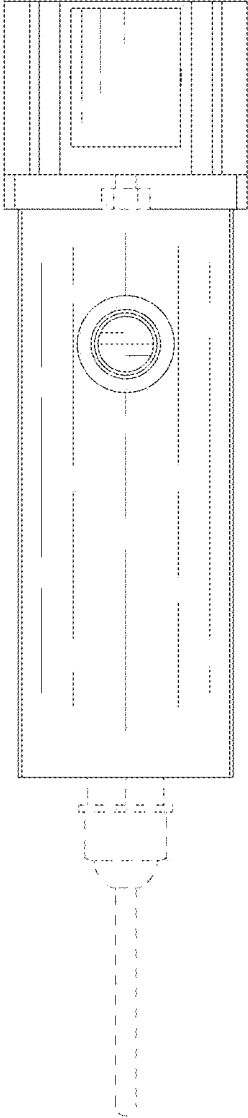


FIG. 5

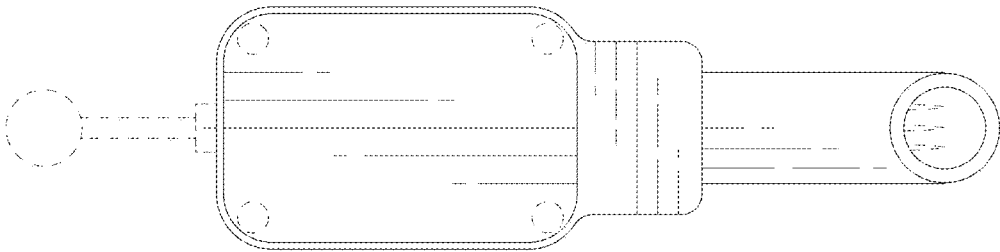


FIG. 6

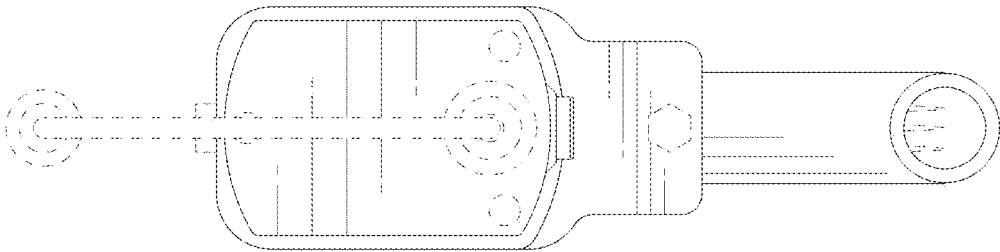


FIG. 7