



US00D398999S

United States Patent [19]

[11] Patent Number: **Des. 398,999**

Maeda et al.

[45] Date of Patent: ****Sep. 29, 1998**

[54] **SPHYGMOMANOMETER**

[75] Inventors: **Yasunari Maeda**, Düsseldorf, Germany;
Maki Hirakawa, Osaka-fu, Japan

[73] Assignee: **Matsushita Electric Works, Ltd.**,
Osaka, Japan

[**] Term: **14 Years**

D. 373,419 9/1996 Muramatsu et al. D24/165
5,509,423 4/1996 Bryars 600/503
5,617,867 4/1997 Butterfield et al. 600/503
5,640,964 6/1997 Archibald et al. 600/490

Primary Examiner—Stella Reid
Attorney, Agent, or Firm—Burns, Doane, Swecker &
Mathis, L.L.P.; William A. Knoeller

[21] Appl. No.: **77,827**

[22] Filed: **Oct. 14, 1997**

[57] CLAIM

The ornamental design for a sphygmomanometer, as shown and described.

[30] **Foreign Application Priority Data**

Apr. 11, 1997 [JP] Japan 9-51070

[51] **LOC (6) Cl.** **24-01**

[52] **U.S. Cl.** **D24/165**

[58] **Field of Search** D24/165; 600/502,
600/503, 490, 499

DESCRIPTION

FIG. 1 is a perspective view of a sphygmomanometer, showing our new design;

FIG. 2 is another perspective view thereof, the broken line showing is for illustrative purposes only and forms no part of the claimed design;

FIG. 3 is a front view thereof;

FIG. 4 is a rear view thereof;

FIG. 5 is a right side view thereof;

FIG. 6 is a left side view thereof;

FIG. 7 is a bottom view thereof; and,

FIG. 8 is a top view thereof.

[56] **References Cited**

U.S. PATENT DOCUMENTS

D. 345,607 3/1994 Sodeoka et al. D24/165
D. 356,377 3/1995 Tsubota et al. D24/165

1 Claim, 4 Drawing Sheets

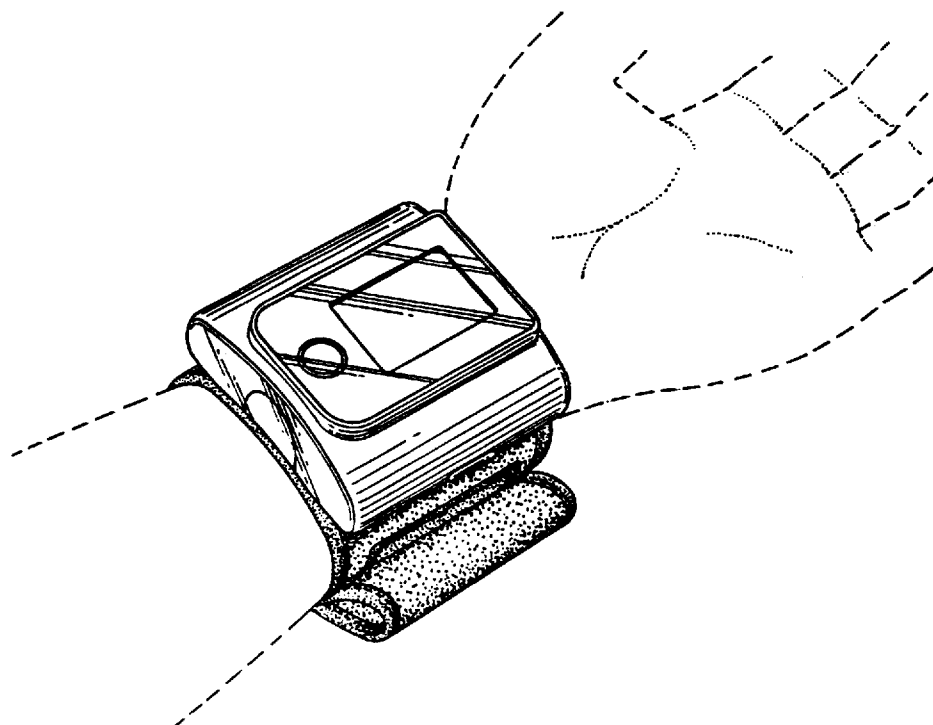


FIG. 1

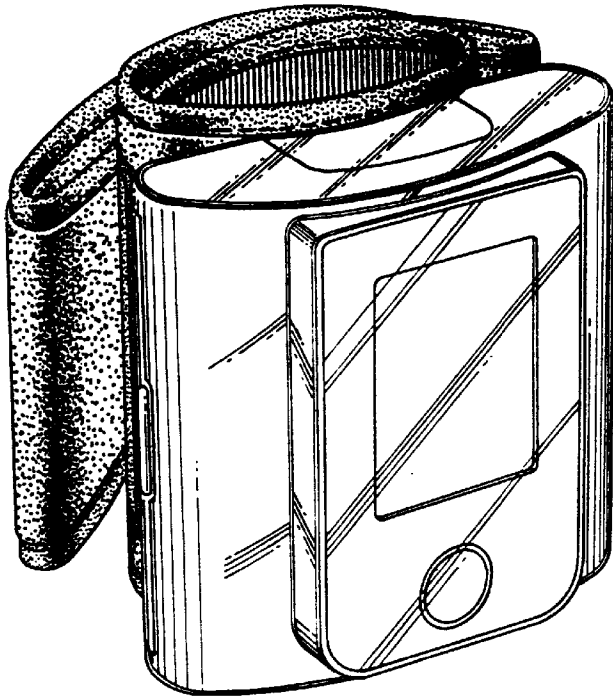


FIG. 2

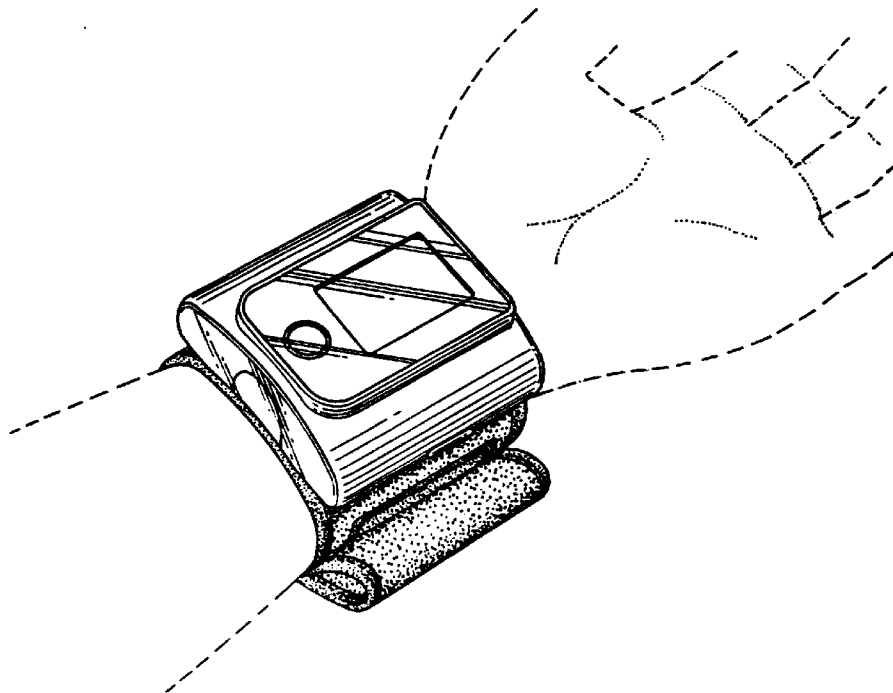


FIG. 3

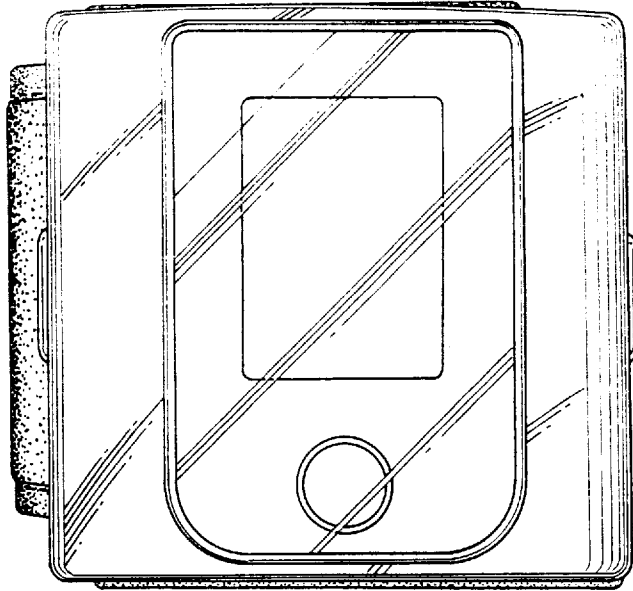


FIG. 4

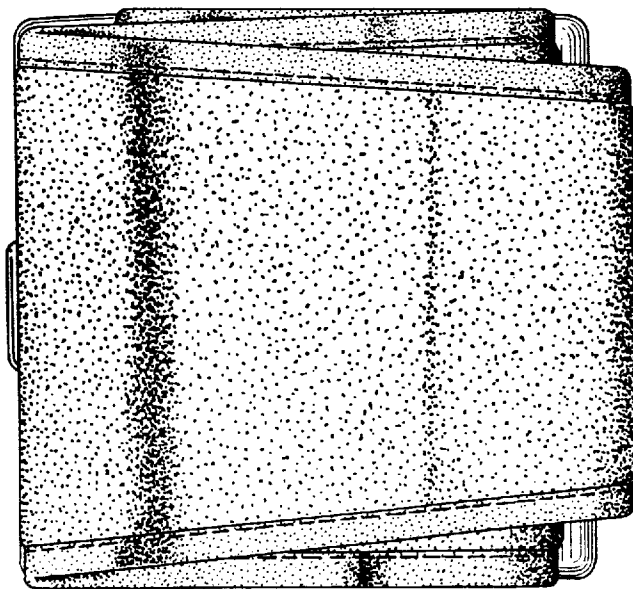


FIG. 5

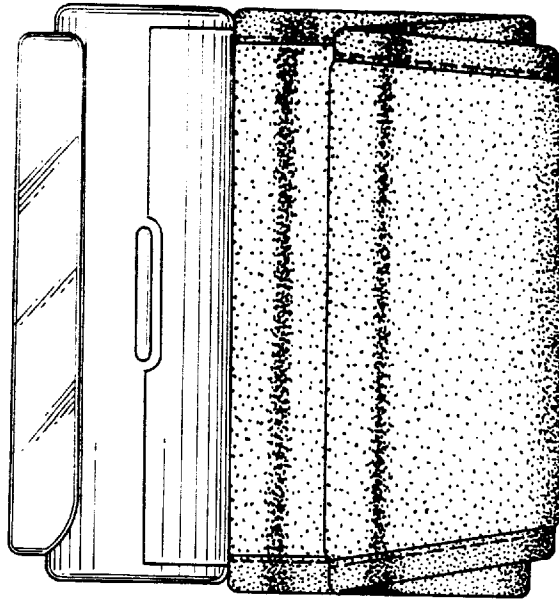


FIG. 6

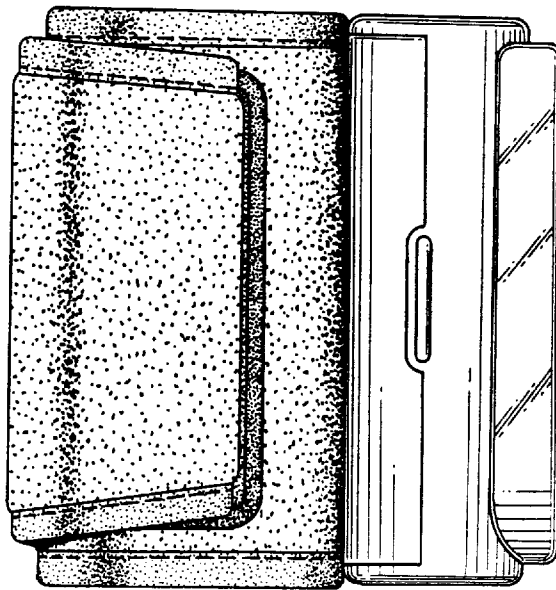


FIG. 7

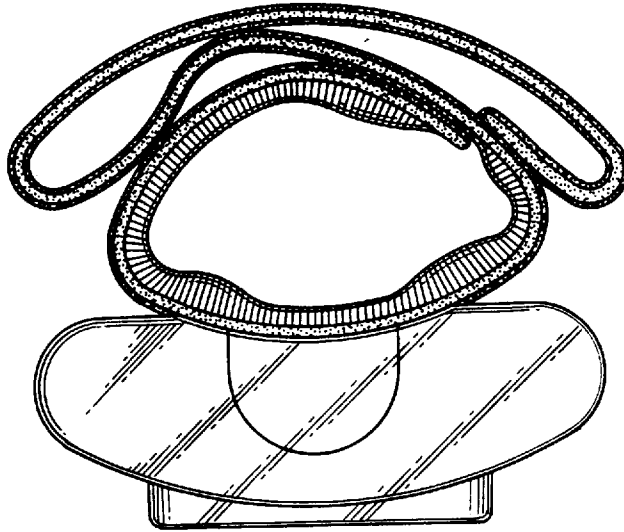


FIG. 8

