



(12) **United States Design Patent**
Liu et al.

(10) **Patent No.:** **US D951,534 S**
(45) **Date of Patent:** **** May 10, 2022**

(54) **ATOMIZER FOR AN ELECTRONIC CIGARETTE**

OTHER PUBLICATIONS

(71) Applicant: **Shenzhen Smoore Technology Limited**, Shenzhen (CN)

Atomizer Mini Tank By: Vaporesso found on line (Dec. 13, 2021) <https://www.svapostore.net/en/atomizers/vaporesso-skrr-s-mini-tank-3-5ml> (Dec. 13, 2021).*

(72) Inventors: **Yu Liu**, Shenzhen (CN); **You Shi**, Shenzhen (CN)

(Continued)

(73) Assignee: **SHENZHEN SMOORE TECHNOLOGY LIMITED**, Shenzhen (CN)

Primary Examiner — Rebecca Tsehaye

(**) Term: **15 Years**

(57) **CLAIM**

(21) Appl. No.: **29/759,926**

The ornamental design for an atomizer for an electronic cigarette, as shown and described.

(22) Filed: **Nov. 25, 2020**

DESCRIPTION

Related U.S. Application Data

(62) Division of application No. 29/684,985, filed on Mar. 25, 2019, now Pat. No. Des. 923,867.

FIG. 1 is a perspective view of an atomizer for an electronic cigarette according to a first embodiment of our design; FIG. 2 is a front elevational view thereof; FIG. 3 is a rear elevational view thereof; FIG. 4 is a left side elevational view thereof; FIG. 5 is a right side elevational view thereof; FIG. 6 is a top plan view thereof; FIG. 7 is a bottom plan view thereof; FIG. 8 is a perspective view of an atomizer for an electronic cigarette according to a second embodiment of our design; FIG. 9 is a front elevational view thereof; FIG. 10 is a rear elevational view thereof; FIG. 11 is a left side elevational view thereof; FIG. 12 is a right side elevational view thereof; FIG. 13 is a top plan view thereof; and, FIG. 14 is a bottom plan view thereof.

(30) **Foreign Application Priority Data**

Oct. 24, 2018 (CN) 201830595151.5

(51) **LOC (13) Cl.** **27-02**

(52) **U.S. Cl.**
USPC **D27/162**

(58) **Field of Classification Search**
USPC D27/162, 100, 101, 163–165, 172, D27/174–176, 183, 185–194; D24/110, D24/110.5
CPC A24F 47/002; A24F 47/006; A24F 47/008; A61M 15/00; A61M 15/06
See application file for complete search history.

The broken lines depict parts of the atomizer for an electronic cigarette that form no part of the claimed design. The oblique lines in the drawings show transparency.

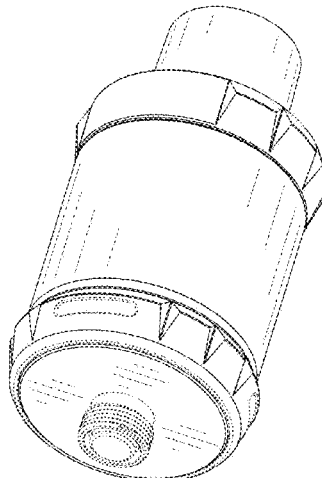
(56) **References Cited**

U.S. PATENT DOCUMENTS

D729,440 S *	5/2015	Liu	D27/101
D740,488 S *	10/2015	Leidel	D27/167
D771,307 S *	11/2016	Wu	D27/101
D811,652 S *	2/2018	Liu	D27/167

(Continued)

1 Claim, 14 Drawing Sheets



(56)

References Cited

U.S. PATENT DOCUMENTS

D826,471 S * 8/2018 Wang D27/167
D836,243 S * 12/2018 Liu D27/167
D854,739 S * 7/2019 Li D27/162
D861,978 S * 10/2019 Lai D27/167
D881,456 S * 4/2020 Chen D27/162
D883,567 S * 5/2020 Liu D27/162
D900,387 S * 10/2020 Liu D27/162
D917,778 S * 4/2021 Liu D27/162
D920,572 S * 5/2021 Liu D27/167
D921,285 S * 6/2021 Liu D27/167
D923,867 S * 6/2021 Liu D27/167
D926,358 S * 7/2021 Liu D27/162
D926,360 S * 7/2021 Liu D27/162
D926,365 S * 7/2021 Liu D27/167
D928,397 S * 8/2021 Liu D27/162
D932,097 S * 9/2021 Liu D27/162
D934,490 S * 10/2021 Shi D27/162
2014/0360514 A1 * 12/2014 Zhu A24F 40/42
131/329
2016/0295920 A1 * 10/2016 Liu A24F 40/485
2017/0013881 A1 * 1/2017 Liu H05B 3/12

OTHER PUBLICATIONS

Atomizer By: SMOK found on line (Dec. 13, 2021) <https://www.vapostore.net/en/atomizers/vapoproso-skrr-s-mini-tank-3-5ml> (Dec. 13, 2021).*

* cited by examiner

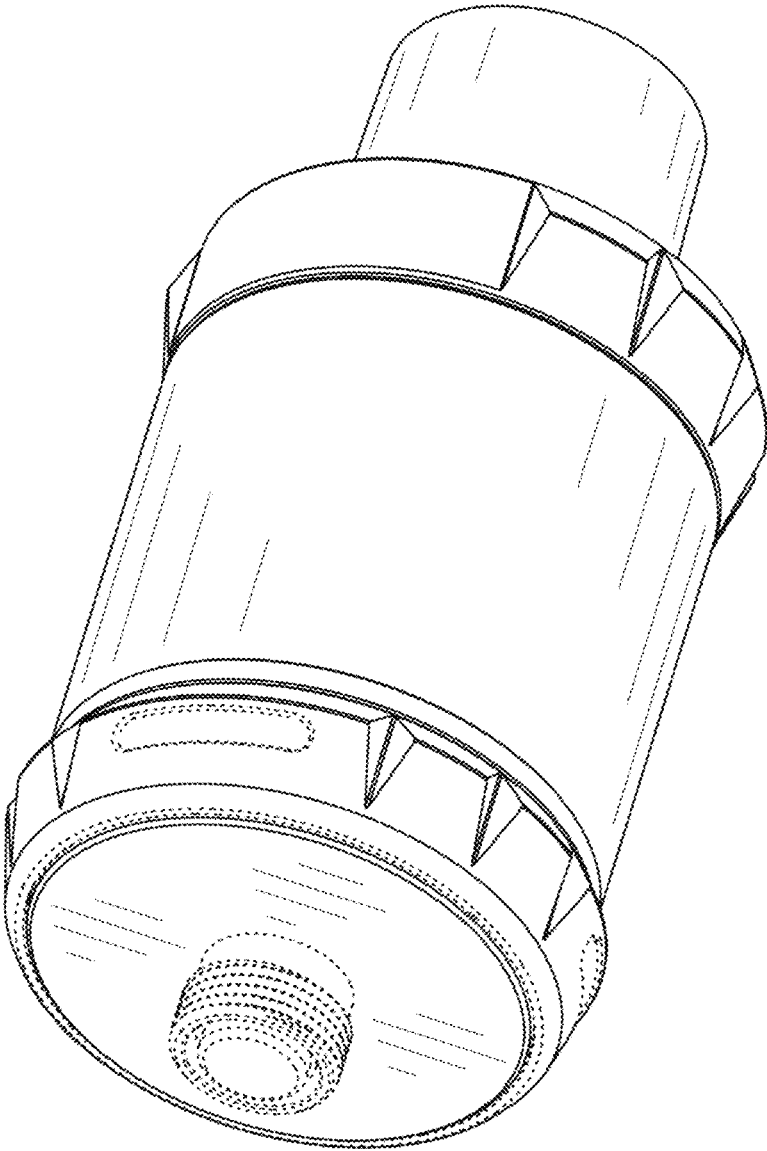


FIG.1

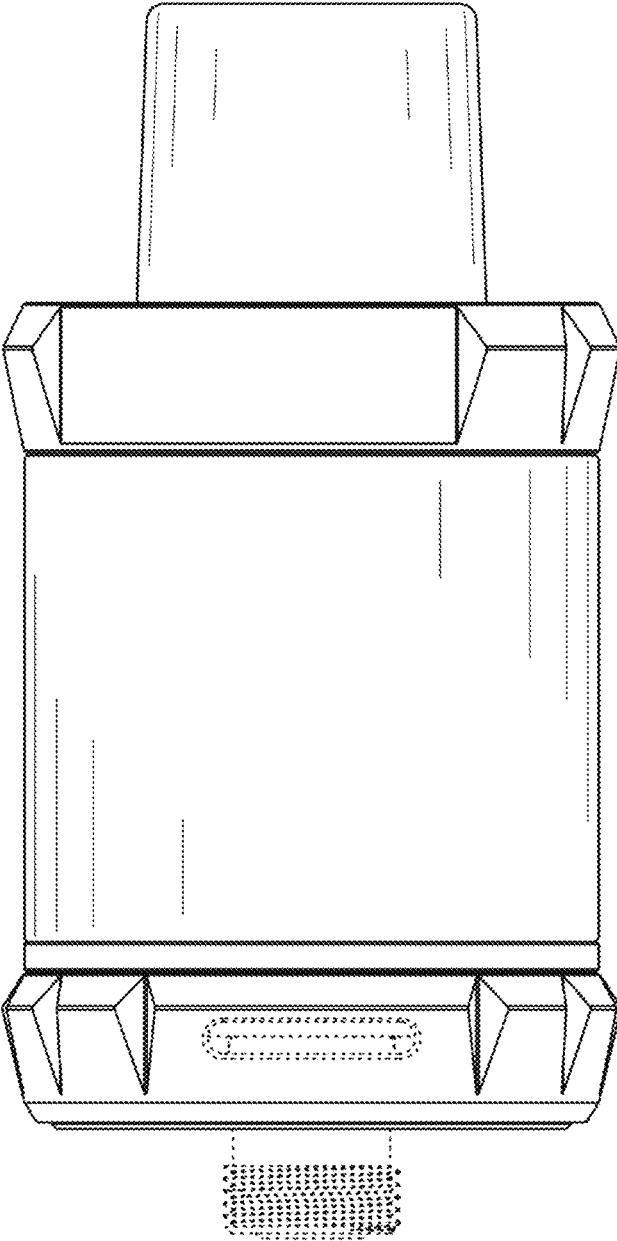


FIG.2

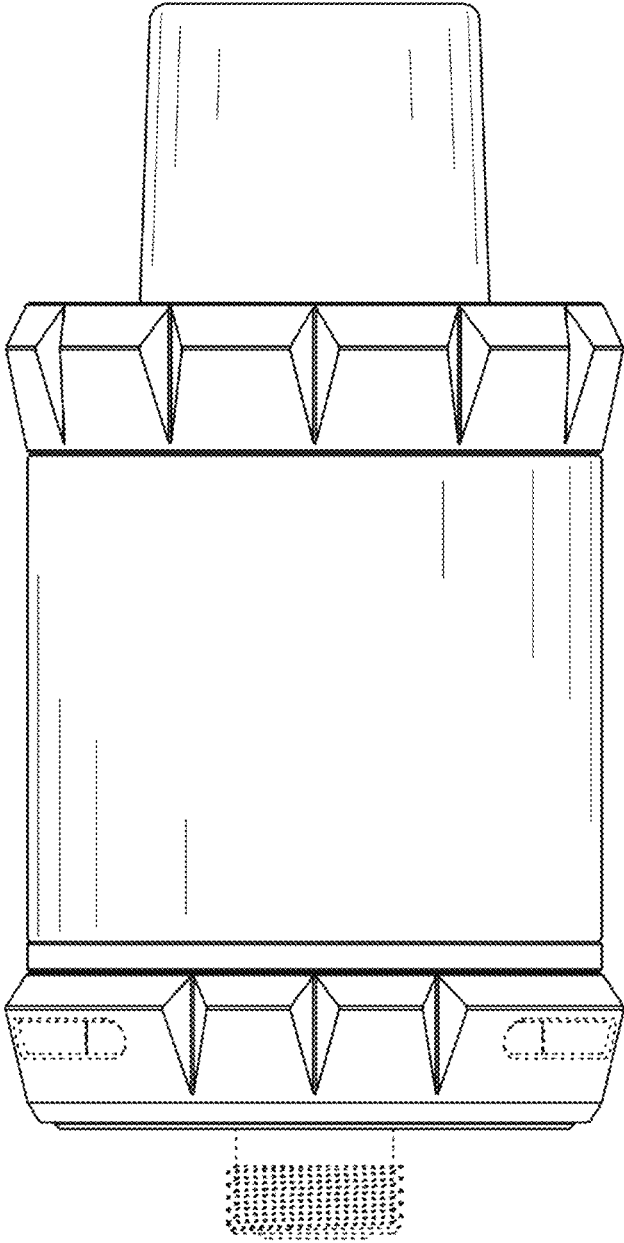


FIG.3

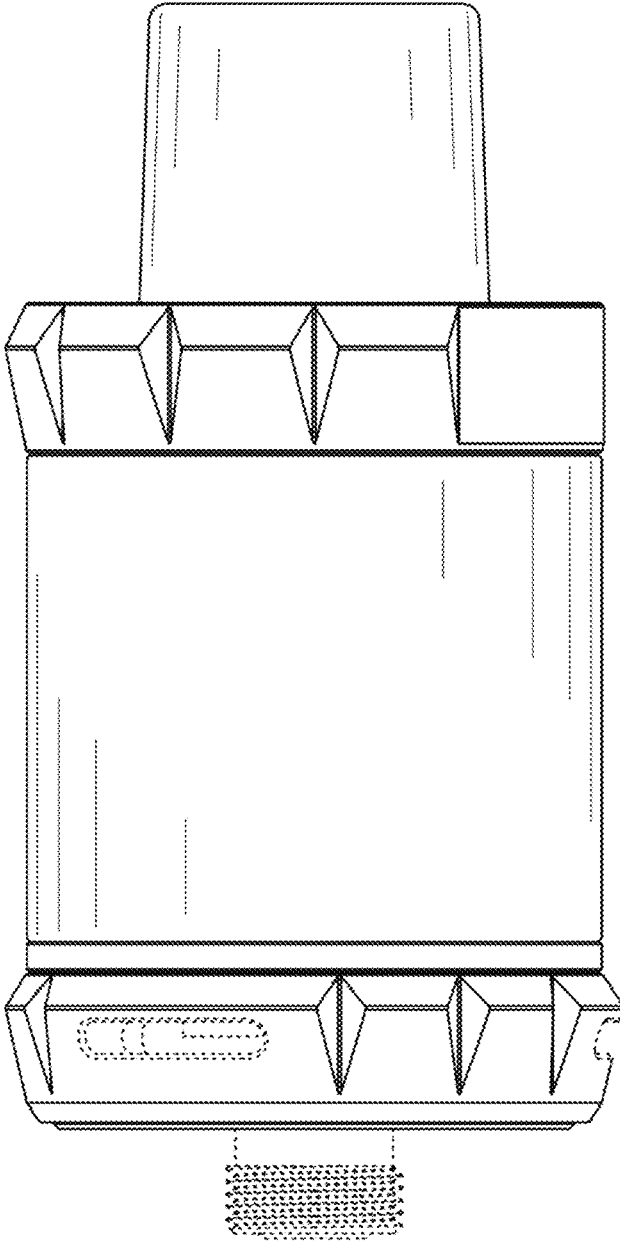


FIG.4

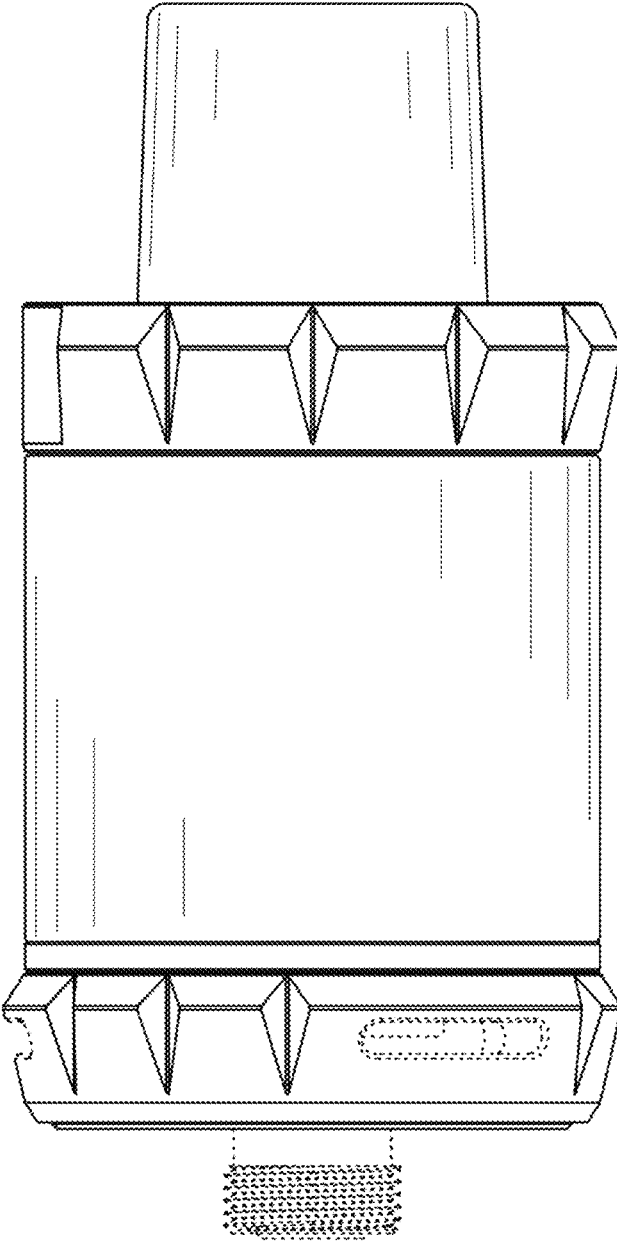


FIG.5

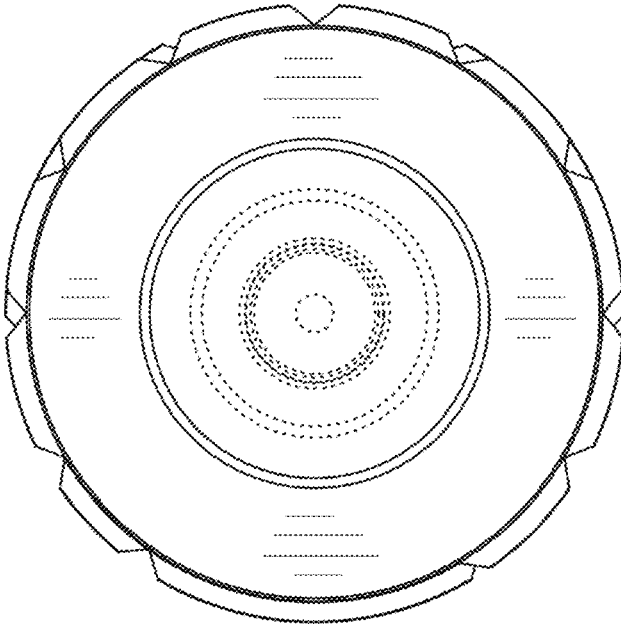


FIG.6

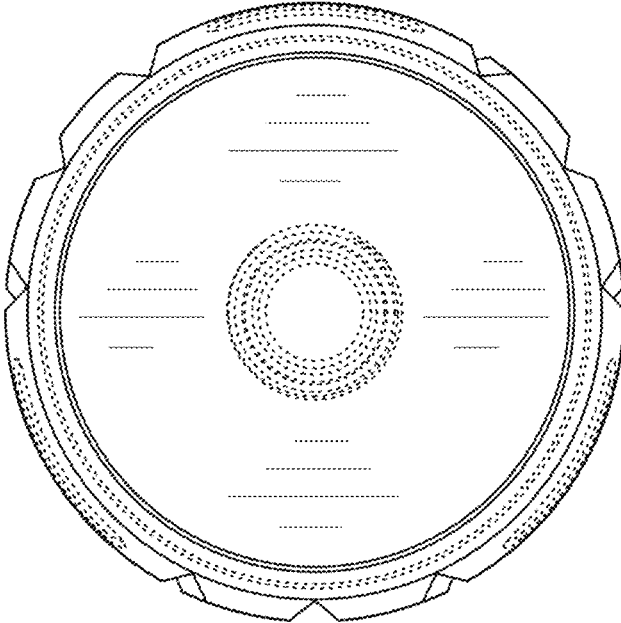


FIG.7

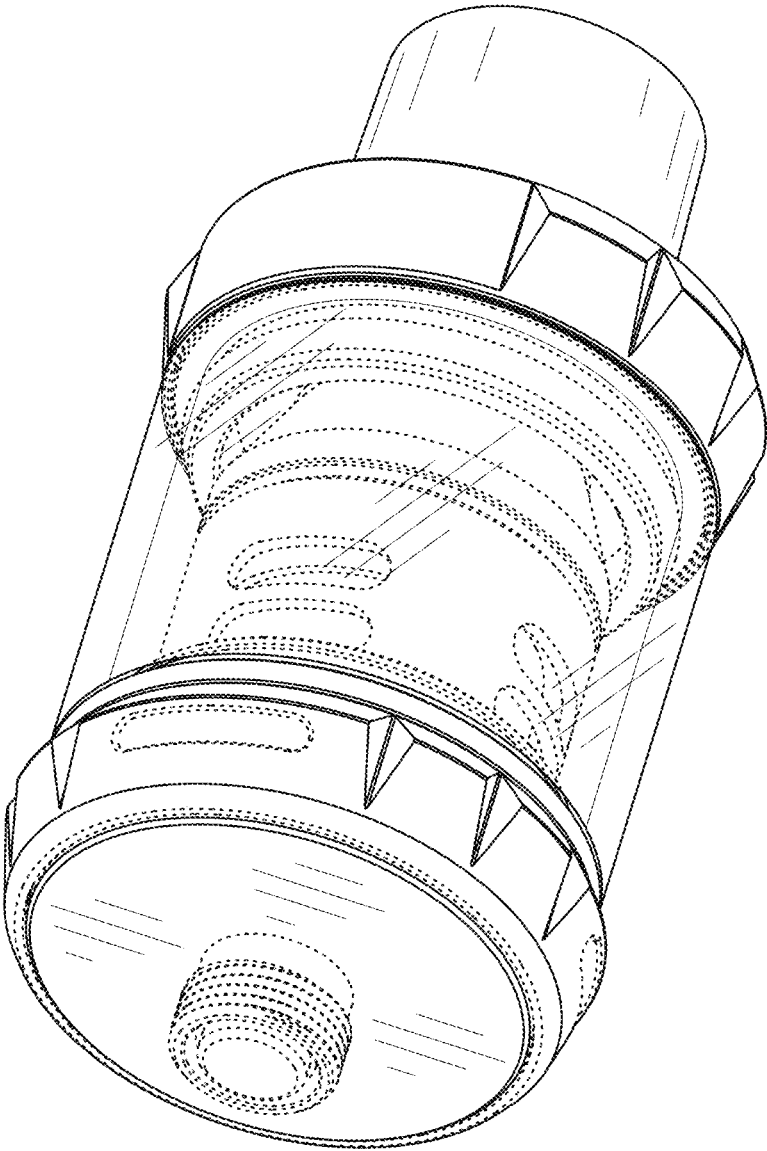


FIG.8

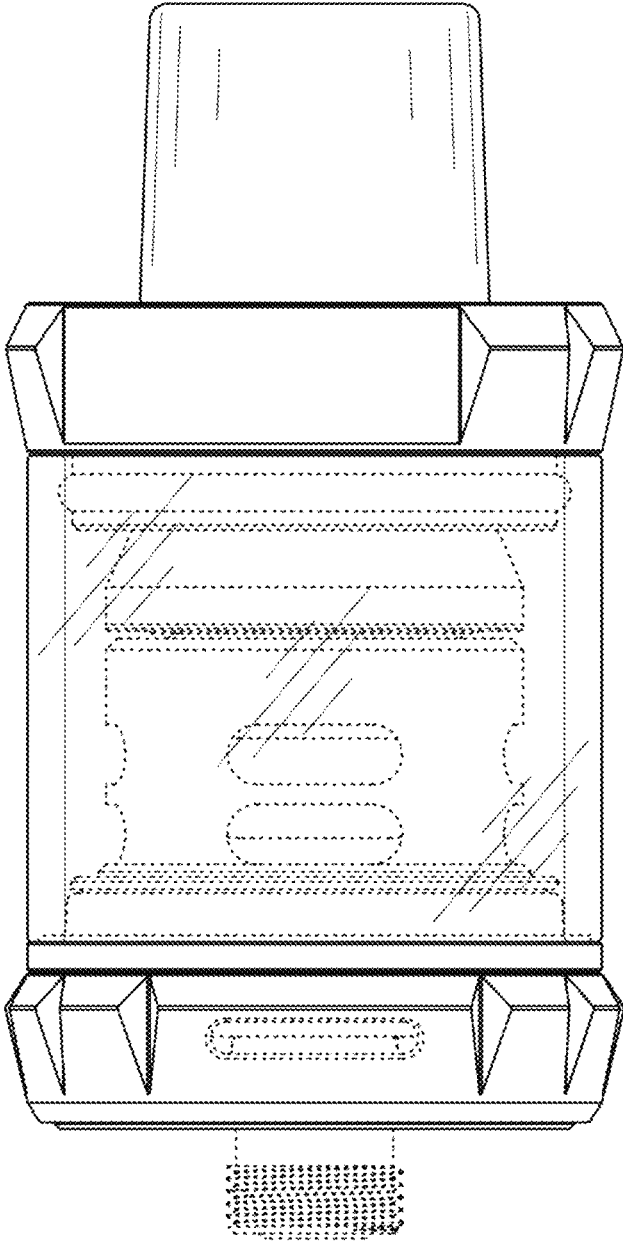


FIG.9

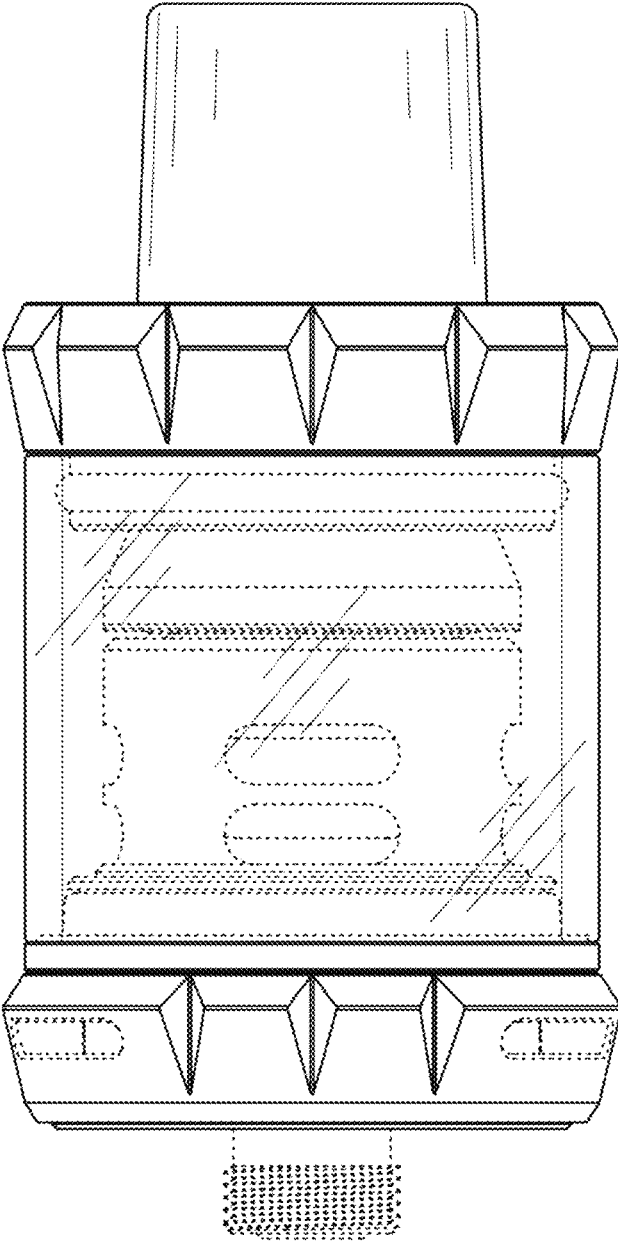


FIG.10

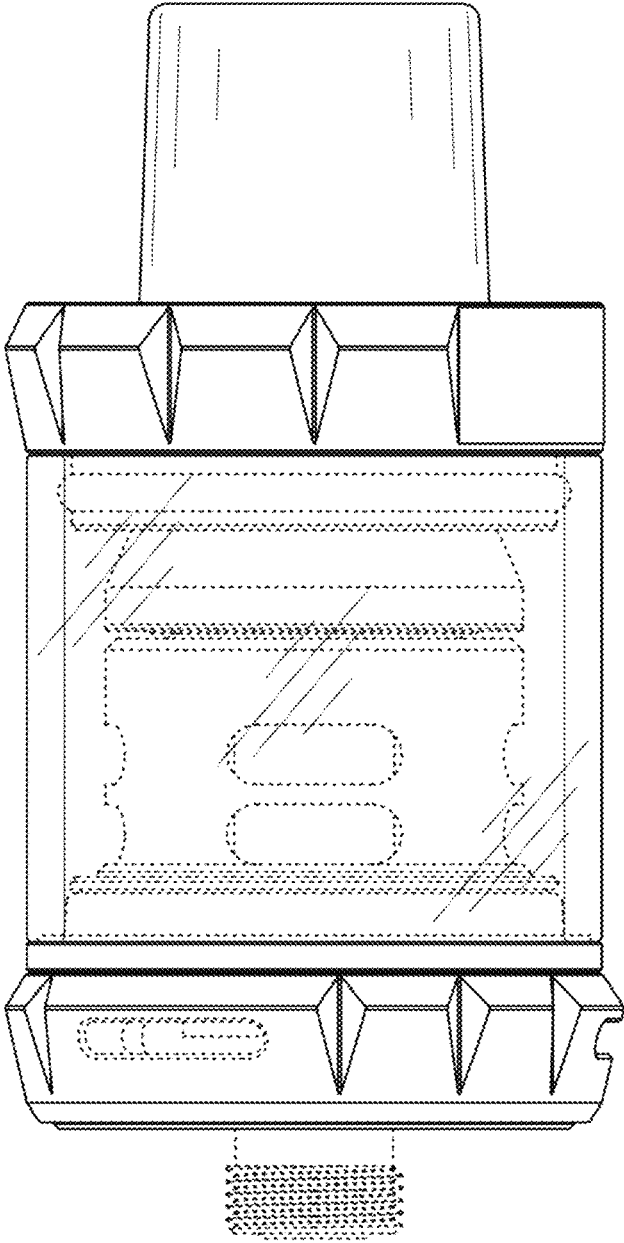


FIG.11

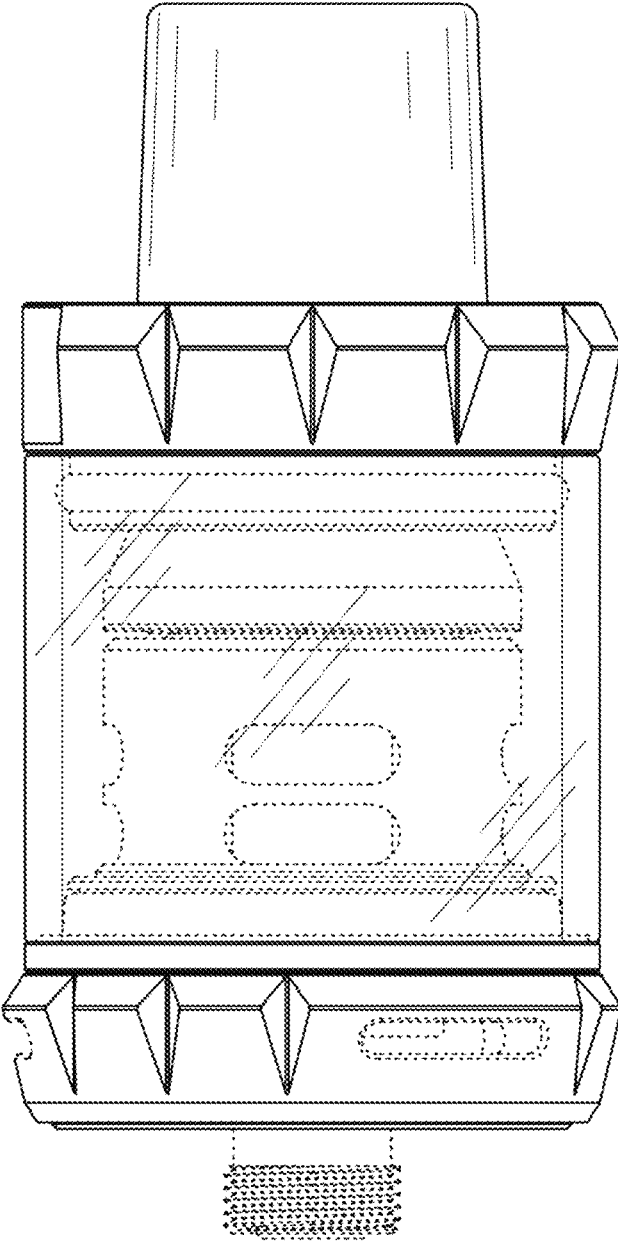


FIG.12

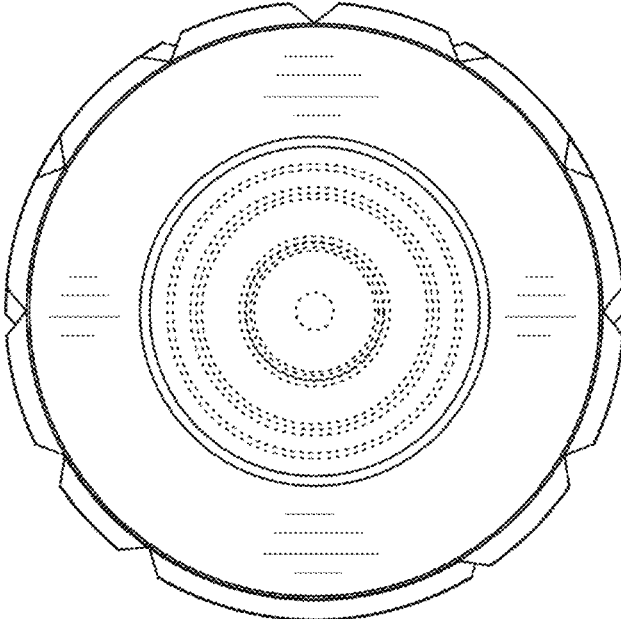


FIG.13

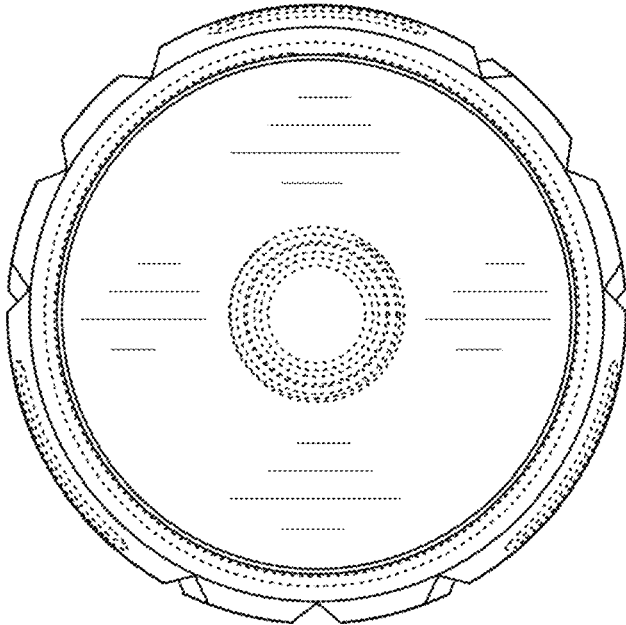


FIG.14