



US00D646547S

(12) **United States Design Patent**  
**DeBaker**

(10) **Patent No.:** **US D646,547 S**

(45) **Date of Patent:** **\*\* Oct. 11, 2011**

(54) **TOOL BIT**

(75) Inventor: **Joseph M. DeBaker**, Pewaukee, WI (US)

(73) Assignee: **Milwaukee Electric Tool Corporation**, Brookfield, WI (US)

(\*\*) Term: **14 Years**

(21) Appl. No.: **29/383,445**

(22) Filed: **Jan. 18, 2011**

**Related U.S. Application Data**

(63) Continuation of application No. 12/669,200, filed as application No. PCT/US2009/063515 on Nov. 6, 2009.

(51) **LOC (9) Cl.** ..... **08-04**

(52) **U.S. Cl.** ..... **D8/86**

(58) **Field of Classification Search** ..... D8/82-87; 81/436, 438-441, 460-461, 489-490

See application file for complete search history.

(56) **References Cited**

U.S. PATENT DOCUMENTS

442,710 A	12/1890	Marsh
869,443 A	10/1907	Lund
876,675 A	1/1908	Albrecht
925,115 A	6/1909	Loewenberg
1,645,672 A	10/1927	Van Savn
1,776,525 A	9/1930	Talbot
1,923,132 A	8/1933	Witkin
1,932,113 A	10/1933	Long
1,979,460 A	11/1934	Forsberg
1,984,839 A	12/1934	Murray
2,010,616 A	8/1935	Walsh
2,022,703 A	12/1935	Banner
2,216,382 A	10/1940	West et al.
2,218,631 A	10/1940	West et al.
D128,609 S	8/1941	Bakeman
2,307,556 A	1/1943	Wileman

(Continued)

FOREIGN PATENT DOCUMENTS

DE 2231949 2/1973  
(Continued)

OTHER PUBLICATIONS

Milwaukee Tool Shockwave Bits. Snagged Jun. 18, 2011 at www.toolbarn.com and power-tools.hardwarestore.com.\*

(Continued)

*Primary Examiner* — Philip S Hyder

*Assistant Examiner* — Roselynn Cody

(74) *Attorney, Agent, or Firm* — Michael Best & Friedrich LLP

(57) **CLAIM**

I claim the ornamental design for a tool bit, as shown and described.

**DESCRIPTION**

FIG. 1 is a front perspective view of a tool bit according to a first embodiment of the invention.

FIG. 2 is a side view of the tool bit of FIG. 1.

FIG. 3 is a front view of the tool bit of FIG. 1.

FIG. 4 is a rear view of the tool bit of FIG. 1.

FIG. 5 is a front perspective view of a tool bit according to a second embodiment of the invention.

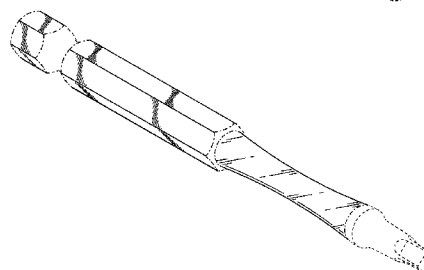
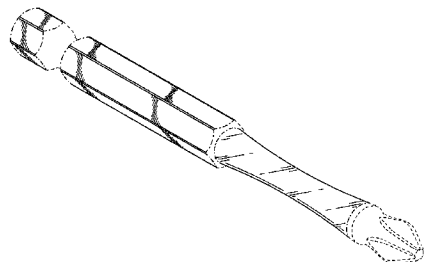
FIG. 6 is a side view of the tool bit of FIG. 5.

FIG. 7 is a front view of the tool bit of FIG. 5; and,

FIG. 8 is a rear view of the tool bit of FIG. 5.

The portions of the tool bit shown in dash-dash broken lines are included for the purpose of illustrating features that form no part of the claimed design. The portions of the tool bit shown in dash-dot lines illustrate boundaries and form no part of the claimed design.

**1 Claim, 4 Drawing Sheets**





# US D646,547 S

Page 3

---

DE	4300446	6/1994
DE	19614961	2/1997
DE	19622846	12/1997
DE	19628901	1/1998
DE	10123407	1/2002
DE	10144990	2/2003
EP	0221279	5/1987
EP	0279899	8/1988
EP	0467232	1/1992
EP	0610693	8/1994
GB	963097	7/1964
GB	1476441	6/1977
JP	2000006037	1/2000
JP	2000024946	1/2000
JP	2000167775	6/2000
JP	2000167776	6/2000
JP	2000198081	7/2000
JP	2004142005	5/2004
JP	2004202665	7/2004
JP	2004237420	8/2004
JP	2005254406	9/2005
JP	2005254407	9/2005
JP	2006315166 A	11/2006

JP	2007111790	5/2007
JP	2008093799	4/2008
WO	8908536	9/1989
WO	9004498	5/1990
WO	9414576	7/1994
WO	9415755	7/1994
WO	9520470	8/1995
WO	9630167	10/1996
WO	9912145	3/1999
WO	2006094940	9/2006
WO	2006100283	9/2006

## OTHER PUBLICATIONS

Vessel, "Problem Solvers are ready to go!" catalog, 5 pages, printed from web site [www.vessel.jp/online/pro\\_b\\_bit.html](http://www.vessel.jp/online/pro_b_bit.html) on Sep. 11, 2008.

Robert Bosch Power Tool Corporation, catalog, 1982, 3 pages.

Black & Decker, Catalog 1(K), Sep. 26, 1960, 4 pages.

Black & Decker, catalog, 1947, 4 pages.

\* cited by examiner

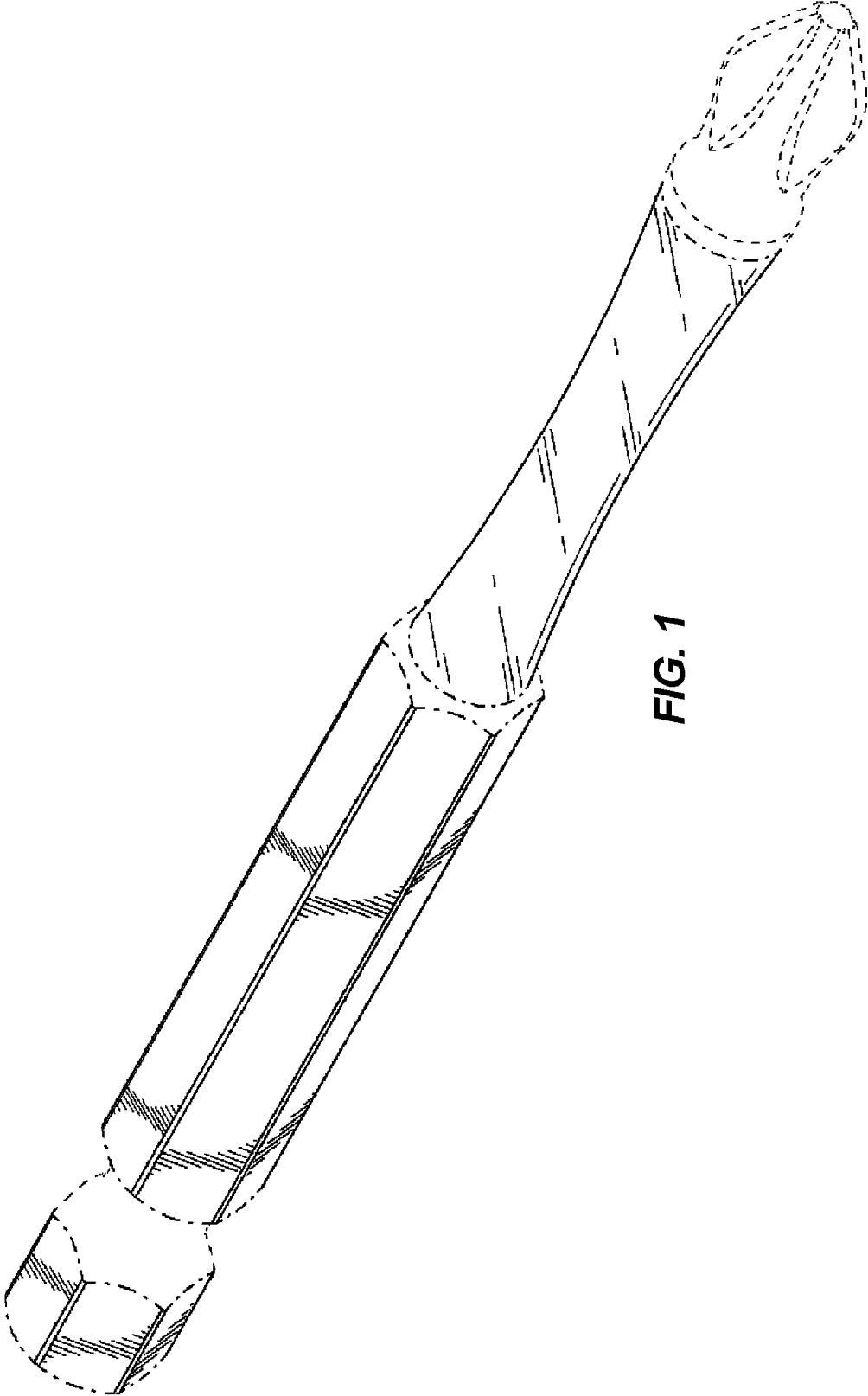


FIG. 1

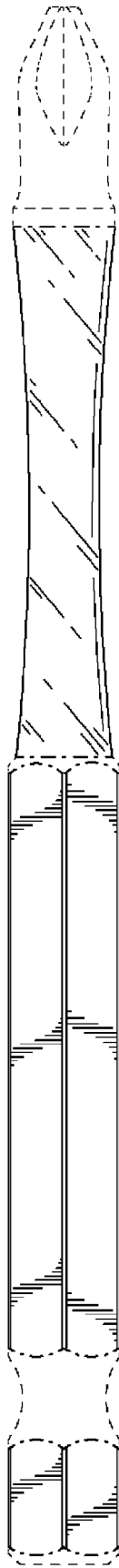


FIG. 2

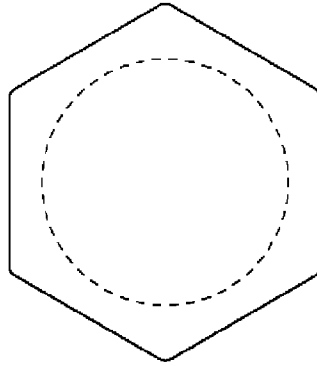


FIG. 4

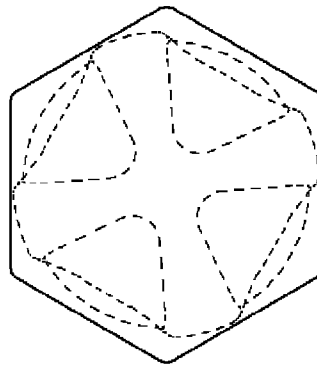


FIG. 3

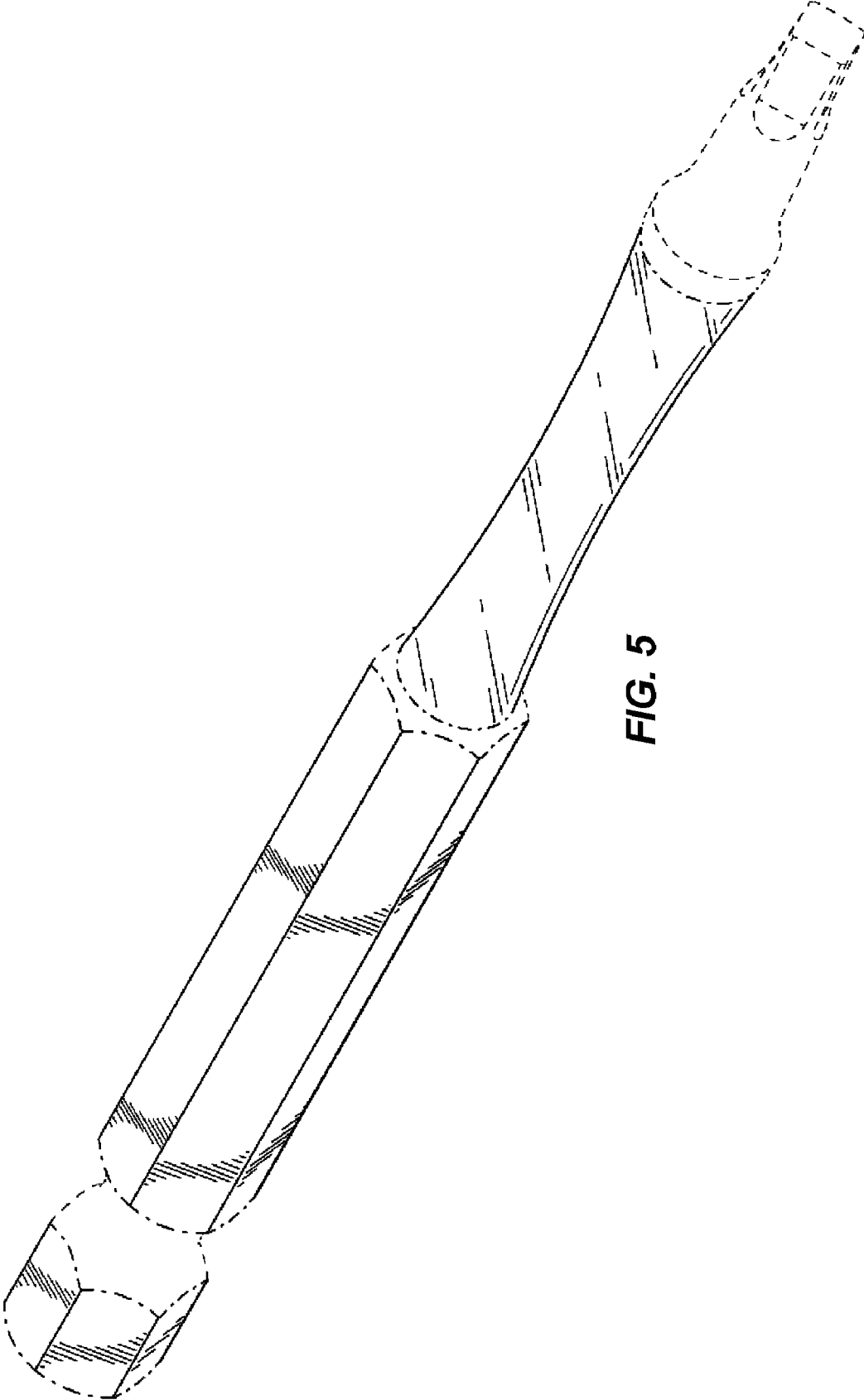
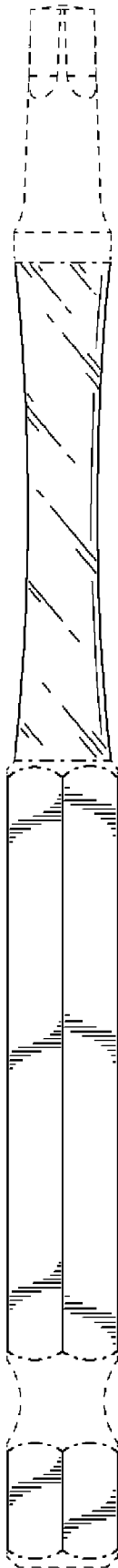
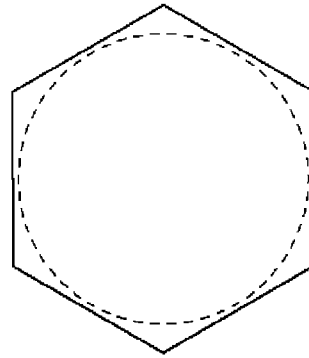


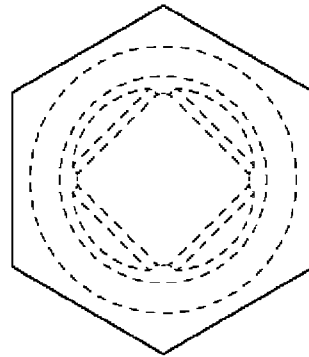
FIG. 5



**FIG. 6**



**FIG. 8**



**FIG. 7**

UNITED STATES PATENT AND TRADEMARK OFFICE  
**CERTIFICATE OF CORRECTION**

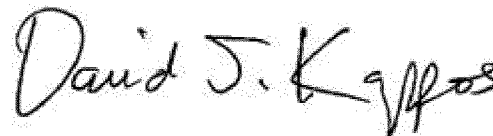
PATENT NO. : D646,547 S  
APPLICATION NO. : 29/383445  
DATED : October 11, 2011  
INVENTOR(S) : Joseph M. DeBaker

Page 1 of 1

It is certified that error appears in the above-identified patent and that said Letters Patent is hereby corrected as shown below:

On the title page under the subheading "Related U.S. Application Data," after the date "November 6, 2009" add --, which claims priority to U.S. Provisional Patent Application No. 61/112,318--

Signed and Sealed this  
Third Day of April, 2012

A handwritten signature in black ink that reads "David J. Kappos". The signature is written in a cursive style with a large, stylized 'D' and 'K'.

David J. Kappos  
*Director of the United States Patent and Trademark Office*