



US00D918409S

(12) **United States Design Patent**
Sedic

(10) **Patent No.:** **US D918,409 S**

(45) **Date of Patent:** **** *May 4, 2021**

(54) **PERSONAL MESSAGE APPARATUS FOR MEN**

(71) Applicant: **LELO Inc.**, San Jose, CA (US)

(72) Inventor: **Filip Sedic**, Shanghai (CN)

(73) Assignee: **LELO Inc.**, San Jose, CA (US)

(*) Notice: This patent is subject to a terminal disclaimer.

(**) Term: **15 Years**

(21) Appl. No.: **29/710,556**

(22) Filed: **Oct. 24, 2019**

Related U.S. Application Data

(63) Continuation of application No. 29/659,457, filed on Aug. 9, 2018, now Pat. No. Des. 880,713.

(51) **LOC (13) Cl.** **28-03**

(52) **U.S. Cl.**
USPC **D24/215**

(58) **Field of Classification Search**
USPC D24/133, 186, 211, 212, 213, 214, 215;
D12/178; D23/266; D9/418
CPC A61H 2015/0014; A61H 19/00; A63B
21/0724; A61F 5/41; A61B 10/0058;
A61B 5/4375; A61B 5/4393
See application file for complete search history.

(56) **References Cited**

U.S. PATENT DOCUMENTS

| | | | | | |
|-----------|-----|--------|-----------------|-------|------------------------|
| D315,095 | S * | 3/1991 | Wright | | D9/415 |
| D328,248 | S * | 7/1992 | Ruff | | D9/418 |
| 5,782,818 | A * | 7/1998 | Shubin | | A61B 10/0058 600/38 |
| 6,368,268 | B1 | 4/2002 | Sandvick et al. | | |
| D526,190 | S * | 8/2006 | Bolt | | D9/418 |
| D527,252 | S * | 8/2006 | Bolt | | D9/418 |
| D547,878 | S * | 7/2007 | Lai | | D24/214 |

| | | | | | |
|----------|-----|---------|----------|-------|---------|
| D559,395 | S * | 1/2008 | Matsuura | | D24/216 |
| D674,906 | S * | 1/2013 | Matsuura | | D24/215 |
| D674,907 | S * | 1/2013 | Matsuura | | D24/215 |
| D674,908 | S * | 1/2013 | Matsuura | | D24/215 |
| D674,909 | S * | 1/2013 | Matsuura | | D24/215 |
| D675,331 | S * | 1/2013 | Matsuura | | D24/215 |
| D677,393 | S * | 3/2013 | Green | | D24/215 |
| D695,414 | S * | 12/2013 | Matsuura | | D24/215 |
| D700,348 | S * | 2/2014 | Tai | | D24/215 |

(Continued)

OTHER PUBLICATIONS

Lelo, "F1 Developer Kit Red", Jan. 6, 2020. https://www.lelo.com/fls-developers-kit-red?gclid=Cj0KCQIA3NX_BRDQARIsALA3flUn0SUeOSo-7we3uPWoSua08c8lgGeWyhwrcVDjugTPnUIC8YEtb0aAh2zEALw_wcB. Shown on p. 1. (Year: 2020).*

(Continued)

Primary Examiner — Cynthia Ramirez

Assistant Examiner — Michael A Maharajh

(74) *Attorney, Agent, or Firm* — Evan Feldstein

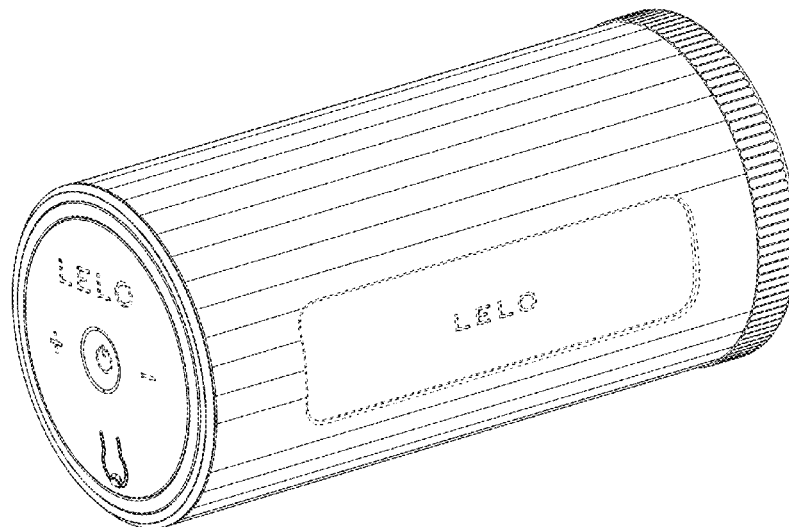
(57) **CLAIM**

I claim the ornamental design for a personal message apparatus for men, as shown and described.

DESCRIPTION

FIG. 1 is a perspective view of a personal message apparatus for men showing my new design.
FIG. 2 is a bottom view thereof.
FIG. 3 is a top view thereof.
FIG. 4 is a rear view thereof.
FIG. 5 is a right side view thereof.
FIG. 6 is a front view thereof; and,
FIG. 7 is a left side view thereof.
The broken lines shown in the drawings are for the purpose of illustrating portions of the personal message apparatus for men which form no part of the claimed design.

1 Claim, 7 Drawing Sheets



(56)

References Cited

U.S. PATENT DOCUMENTS

| | | | | | |
|--------------|------|---------|-------------|-------|-------------------------|
| D700,349 | S * | 2/2014 | Tai | | D24/215 |
| D700,350 | S * | 2/2014 | Tai | | D24/215 |
| D714,952 | S * | 10/2014 | Gonglach | | A61H 15/00 D24/211 |
| D736,400 | S * | 8/2015 | Matsuura | | D24/215 |
| D736,401 | S * | 8/2015 | Matsuura | | D24/215 |
| 9,138,372 | B2 | 9/2015 | Rueda | | |
| D782,036 | S * | 3/2017 | Cai | | D24/121 |
| D823,462 | S * | 7/2018 | Okamura | | D24/121 |
| D837,996 | S * | 1/2019 | Sugimoto | | D24/215 |
| D843,592 | S * | 3/2019 | Tsuyama | | D24/215 |
| D853,575 | S * | 7/2019 | Fleming | | D24/211 |
| D870,308 | S * | 12/2019 | Samarasinha | | D24/215 |
| D879,988 | S * | 3/2020 | Zhou | | D24/215 |
| D880,713 | S * | 4/2020 | Sedic | | D24/215 |
| D886,318 | S * | 6/2020 | Tsuyama | | D24/215 |
| D888,980 | S * | 6/2020 | Tsuyama | | D24/215 |
| D890,947 | S * | 7/2020 | Takahori | | D24/215 |
| D893,040 | S * | 8/2020 | Qiu | | D24/215 |
| D893,041 | S * | 8/2020 | Qiu | | D24/215 |
| D895,134 | S * | 9/2020 | Qiu | | D24/215 |
| D897,551 | S * | 9/2020 | Nasta | | D24/211 |
| D898,215 | S * | 10/2020 | Endo | | D24/215 |
| 2003/0171647 | A1 | 9/2003 | Garland | | |
| 2006/0264856 | A1 | 11/2006 | Wong | | |
| 2008/0004577 | A1 * | 1/2008 | Matsuura | | A61B 10/0058 604/317 |
| 2012/0232335 | A1 * | 9/2012 | Eisenberg | | A61H 19/32 600/38 |
| 2015/0190304 | A1 * | 7/2015 | Lawrie | | A61H 15/00 601/118 |
| 2016/0136035 | A1 * | 5/2016 | Abramovitz | | A61H 19/32 601/136 |
| 2017/0071817 | A1 * | 3/2017 | Sanchez | | A61H 15/0092 |
| 2017/0071818 | A1 * | 3/2017 | Chen | | A61H 19/32 |
| 2017/0231801 | A1 * | 8/2017 | Matsuura | | A61H 19/00 600/38 |
| 2018/0049941 | A1 * | 2/2018 | Venezia | | A61H 15/02 |
| 2018/0092798 | A1 * | 4/2018 | Shao | | A61H 19/32 |
| 2019/0350799 | A1 * | 11/2019 | Matossian | | A61H 15/0092 |
| 2020/0046599 | A1 * | 2/2020 | Sedic | | A61F 5/41 |

OTHER PUBLICATIONS

- Youtube, "F1 Developer Kit_Clip" Oct. 11, 2018. <https://www.youtube.com/watch?v=RfPtTCKzz28>. Shown at the 00:17 minute mark. (Year: 2018).*
- Satisfyer, "Satisfyer men", www.satisfyer.com, pp. 1-9, <https://us.satisfyer.com/us/satisfyer-men.15/satisfyer-men>, accessed Jan. 2018.
- Kiiroo, "Onyx2—The Master of Interactive Pleasure," www.kiiroo.com, pp. 1-11, <https://www.kiiroo.com/products/onyx-2>, accessed Jan. 2018.
- Fleshlight, "Fleshlight Launch," www.fleshlight.com, pp. 1-11, <https://www.fleshlight.com/pages/launch?locale=en>, accessed Jan. 2018.
- ImToy, "Piu Interactive Male Vibrator," www.imtoy.com, pp. 1-12, <https://en.imtoy.com/sales-letter-order-form18385006>, accessed Jan. 2018.
- Blewit, "Blewit V2," www.blewit.com, pp. 1-3, <https://blewit.com/product/blewit/>, accessed Jan. 2018.
- iCon, "i.Con Smart Condom," www.BritishCondoms.com, pp. 1-3, <https://britishcondoms.uk/i-con-smart-condoms.html>, accessed Jan. 2018.
- Andrew Quitmeyer, "The Mod—Multivibrating Open-Source Dildo," www.indiegogo.com, pp. 1-2, <https://www.indiegogo.com/projects/the-mod-multivibrating-open-source-dildo/#/>, accessed Jan. 2018.
- Alexandra Ars, "Master Beta Kit: Easy Erotic Engineering," www.indiegogo.com, pp. 1-2, <https://www.indiegogo.com/projects/master-beta-kit-easy-erotic-engineering-2/#/>, accessed Jan. 2018.
- Fleshlight, "Stamina Training Unit Lady," www.fleshlight.com, pp. 1-8, <https://www.fleshlight.com/collections/stamina-training-fl-toys/products/stamina-training-unit>, accessed Jan. 2018.
- Hotopuss, "Pulse III—Solo & Duo," www.hotopuss.com, pp. 1-12, <https://www.hotopuss.com/pulse-iii/>, accessed Jan. 2018.
- Autoblow, "Automatic Blowjobs Just Got Even Better," www.autoblow.com, pp. 1-4, <https://www.autoblow2.com/autoblow-2>, accessed Jan. 2018.
- Tenga, "Flip 0—Zeroing in on the Possibilities of Pleasure," www.tenga-global.com, pp. 1-2, <https://www.tenga-global.com/products/hole/flip-0/>, accessed Jan. 2018.
- Nathaniel Eliason, "Stamena—Longer lasting sex kegel trainer for men," [itunes.apple.com](https://itunes.apple.com/us/app/stamena-longer-lasting-sex-kegel-trainer-for-men/id1106687104?mt=8), pp. 1-3, <https://itunes.apple.com/us/app/stamena-longer-lasting-sex-kegel-trainer-for-men/id1106687104?mt=8>, accessed Jan. 2018.

* cited by examiner

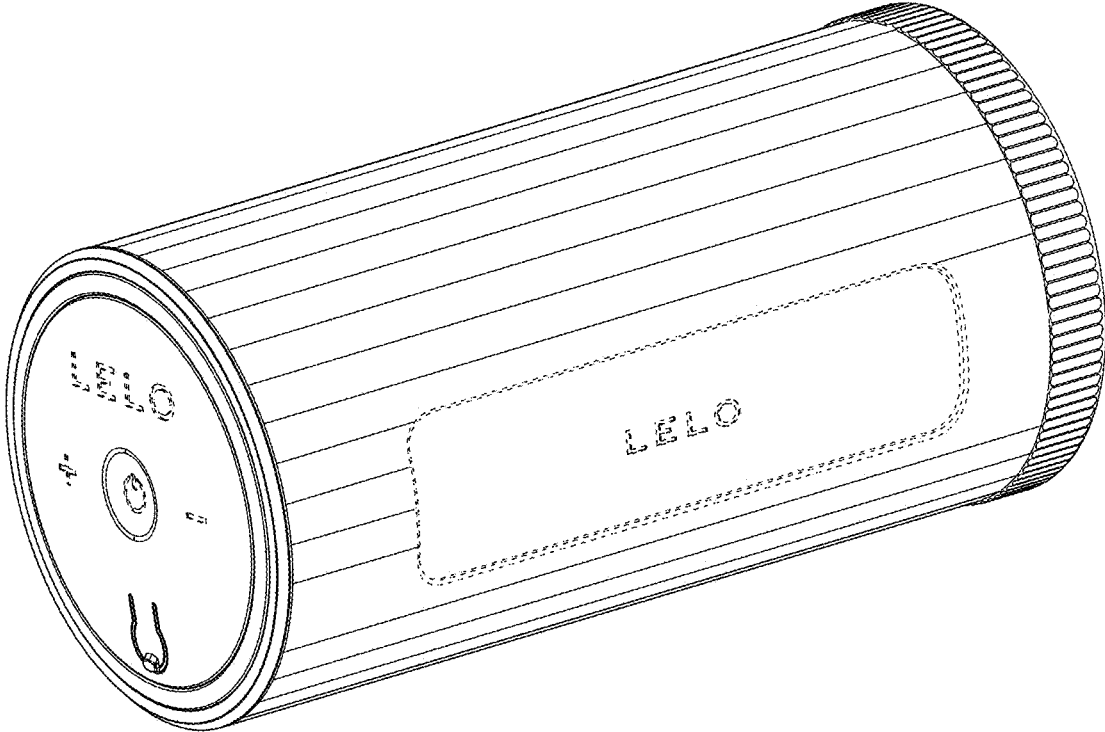


FIG. 1

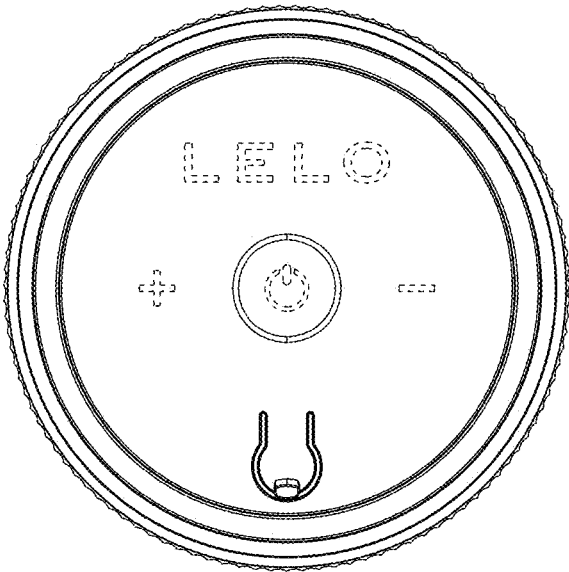


FIG. 2

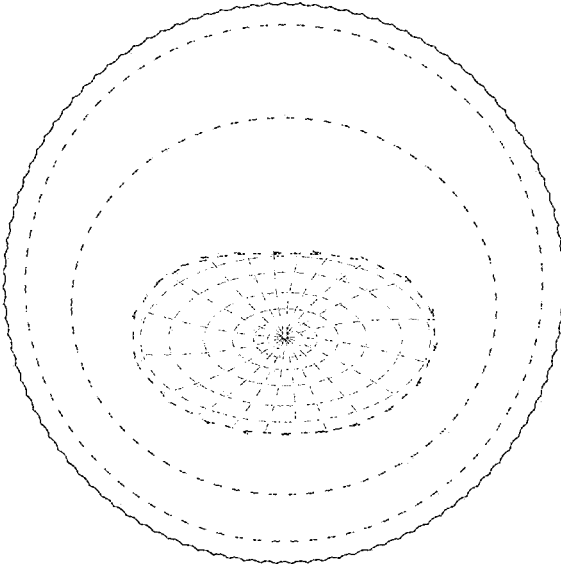


FIG. 3

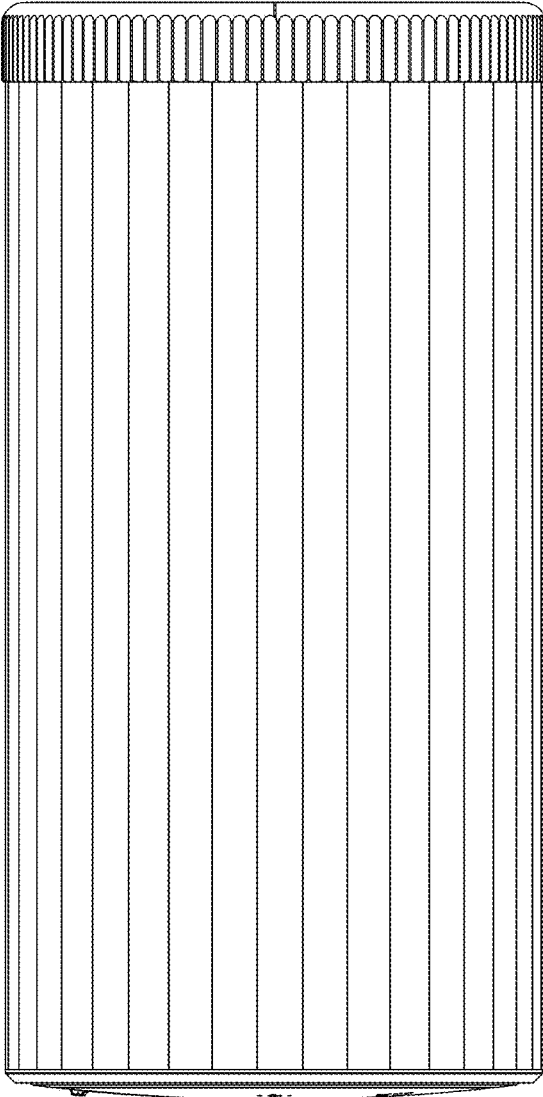


FIG. 4

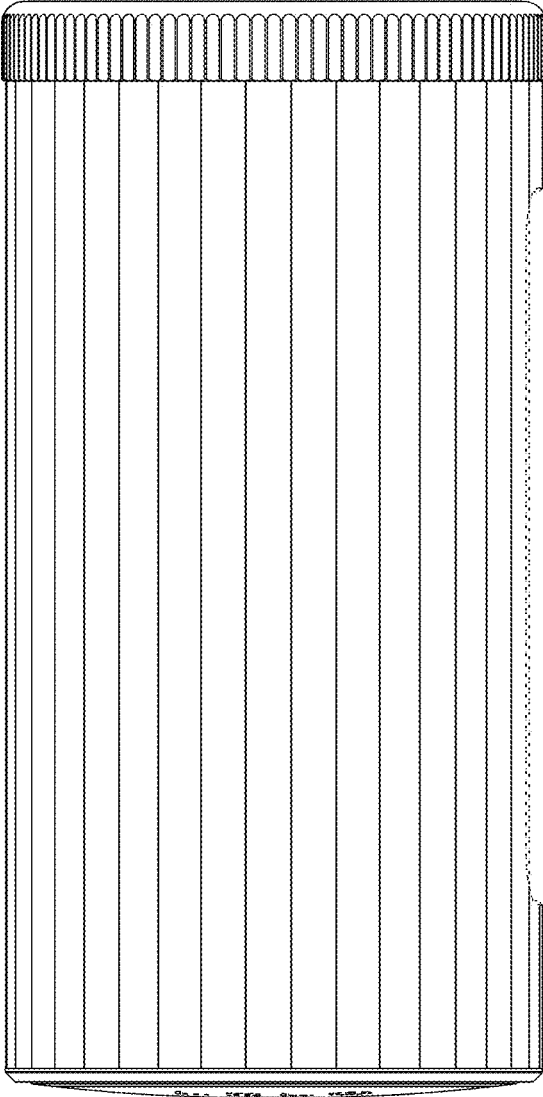


FIG. 5

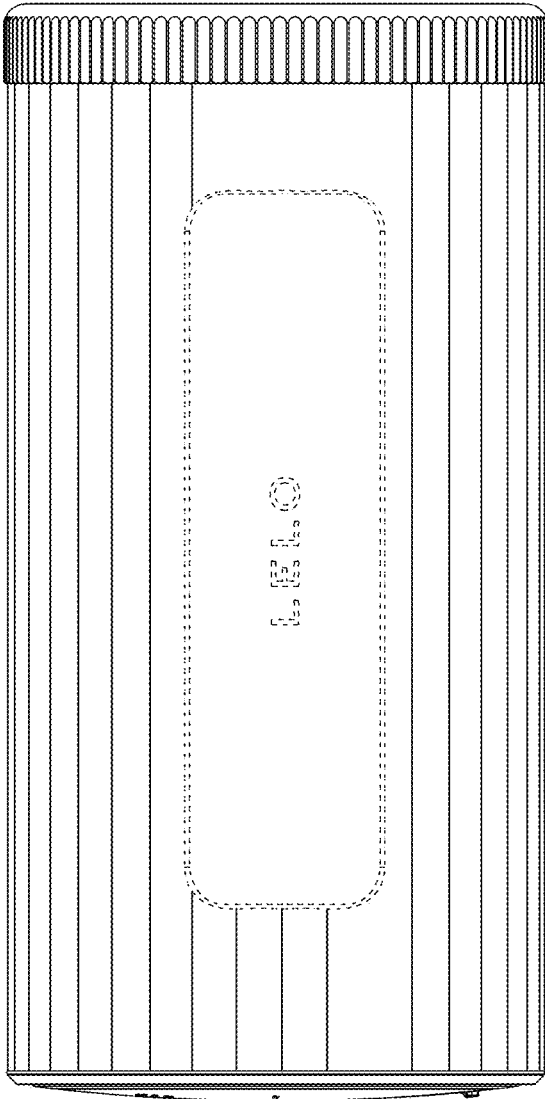


FIG. 6

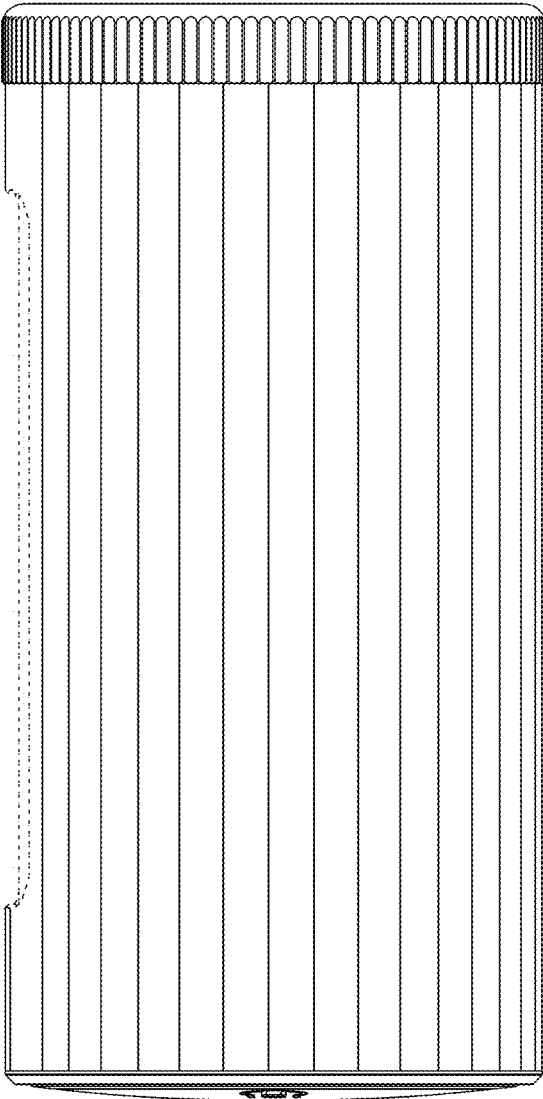


FIG. 7